



US00D818787S

(12) **United States Design Patent**
Kitago

(10) **Patent No.:** **US D818,787 S**

(45) **Date of Patent:** **** May 29, 2018**

(54) **TOOL FOR BINDING BAND**

(71) Applicant: **HellermannTyton Co., Ltd.**, Tokyo
(JP)

(72) Inventor: **Toru Kitago**, Himeji (JP)

(73) Assignee: **HELLERMANNTYTON CO., LTD.**
(JP)

(**) Term: **15 Years**

(21) Appl. No.: **29/566,616**

(22) Filed: **Jun. 1, 2016**

(30) **Foreign Application Priority Data**

Apr. 6, 2016 (JP) 2016-007632

(51) **LOC (11) Cl.** **08-05**

(52) **U.S. Cl.**
USPC **D8/44; D8/51**

(58) **Field of Classification Search**
USPC D8/44, 51, 68
CPC B21F 9/02; B25B 25/005; B65B 13/027;
B65B 13/22; B65B 13/345
See application file for complete search history.

(56) **References Cited**

U.S. PATENT DOCUMENTS

4,793,385 A * 12/1988 Dyer B65B 13/027
140/123.6
D306,390 S * 3/1990 Dyer D8/44
5,492,156 A * 2/1996 Dyer B21F 9/02
140/123.6
5,915,425 A * 6/1999 Nilsson B65B 13/027
140/123.6
6,206,053 B1 * 3/2001 Hillegonds B65B 13/027
140/123.6
D473,773 S * 4/2003 Hillegonds D8/68

D491,430 S * 6/2004 Magno, Jr. D8/44
6,840,289 B2 * 1/2005 Hillegonds B65B 27/10
140/123.6
D541,626 S * 5/2007 Mechalchuk D8/330
7,210,506 B2 * 5/2007 Magno, Jr. B23Q 17/00
140/123.6
7,216,679 B2 * 5/2007 Magno, Jr. B65B 13/027
140/123.6
D543,811 S * 6/2007 Lueschen D8/44
7,231,944 B2 * 6/2007 Magno, Jr. B65B 13/027
140/123.6
7,299,830 B2 * 11/2007 Levin B65B 13/027
140/123.6
D692,738 S * 11/2013 Dyer D8/44
D758,155 S * 6/2016 Kruzel D8/44
2013/0167970 A1 * 7/2013 Dyer B26D 7/08
140/123.6

* cited by examiner

Primary Examiner — Phillip S Hyder

Assistant Examiner — Roselyne Cody

(74) *Attorney, Agent, or Firm* — Robert J. Myers

(57) **CLAIM**

The ornamental design for a tool for binding band, as shown and described.

DESCRIPTION

FIG. 1 is a front, left side and top perspective view of a tool for binding band in accordance with my new design;
FIG. 2 is a front, left side and bottom perspective view thereof;
FIG. 3 is a front elevation view thereof;
FIG. 4 is a rear elevation view thereof;
FIG. 5 is a left side view thereof;
FIG. 6 is a right side view thereof;
FIG. 7 is a top plan view thereof; and,
FIG. 8 is a bottom plan view thereof.

1 Claim, 3 Drawing Sheets

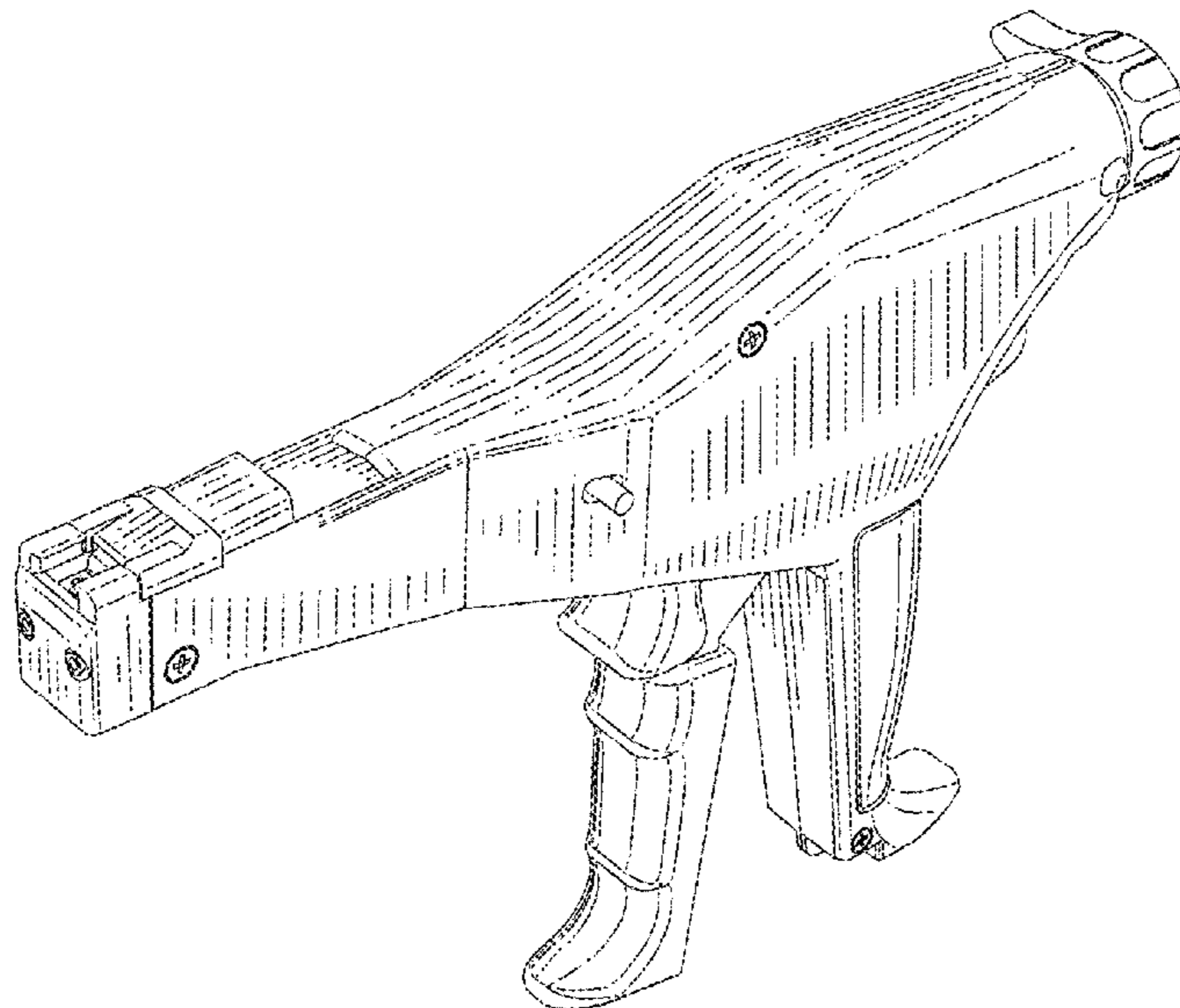


Fig. 1

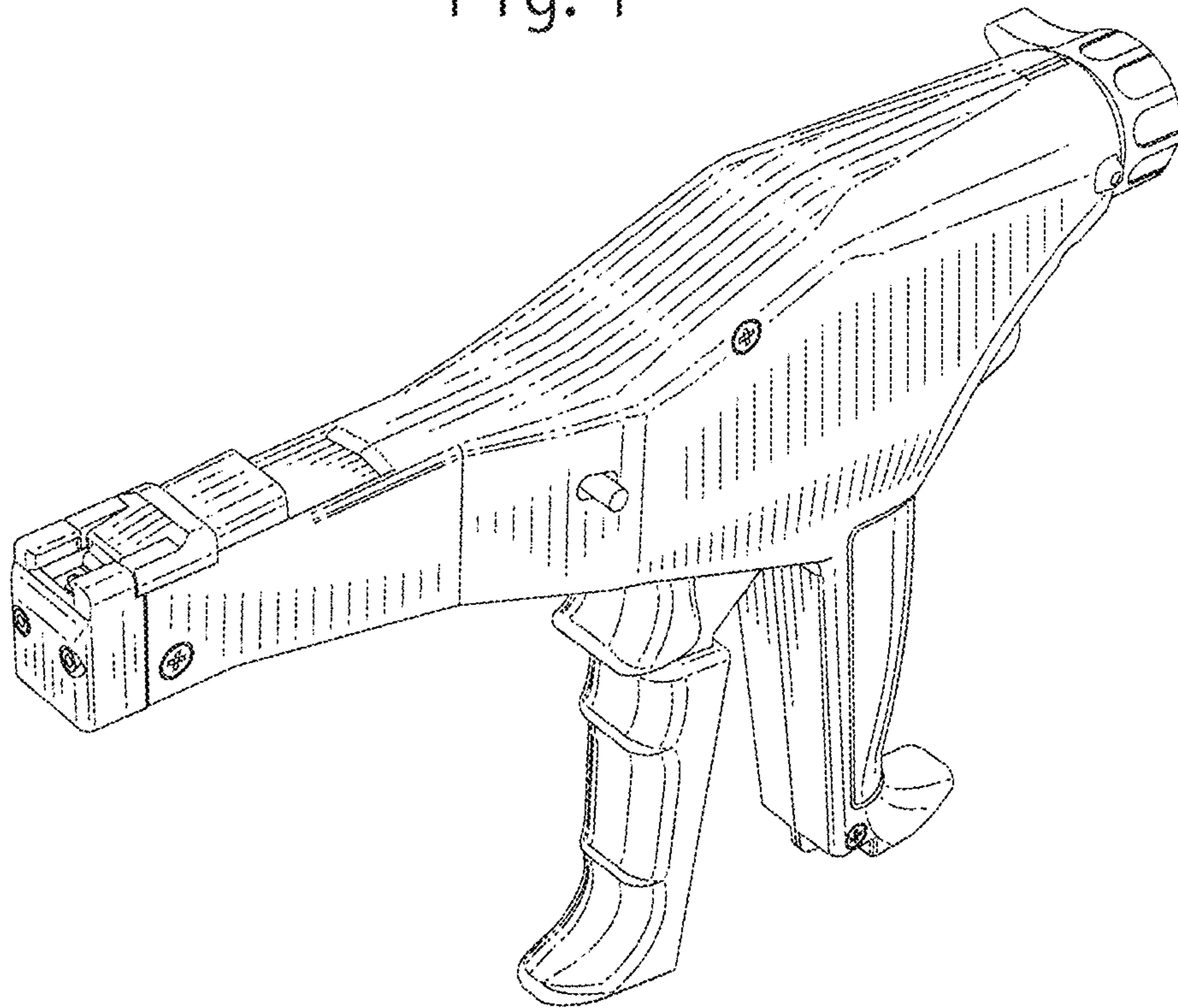


Fig. 2

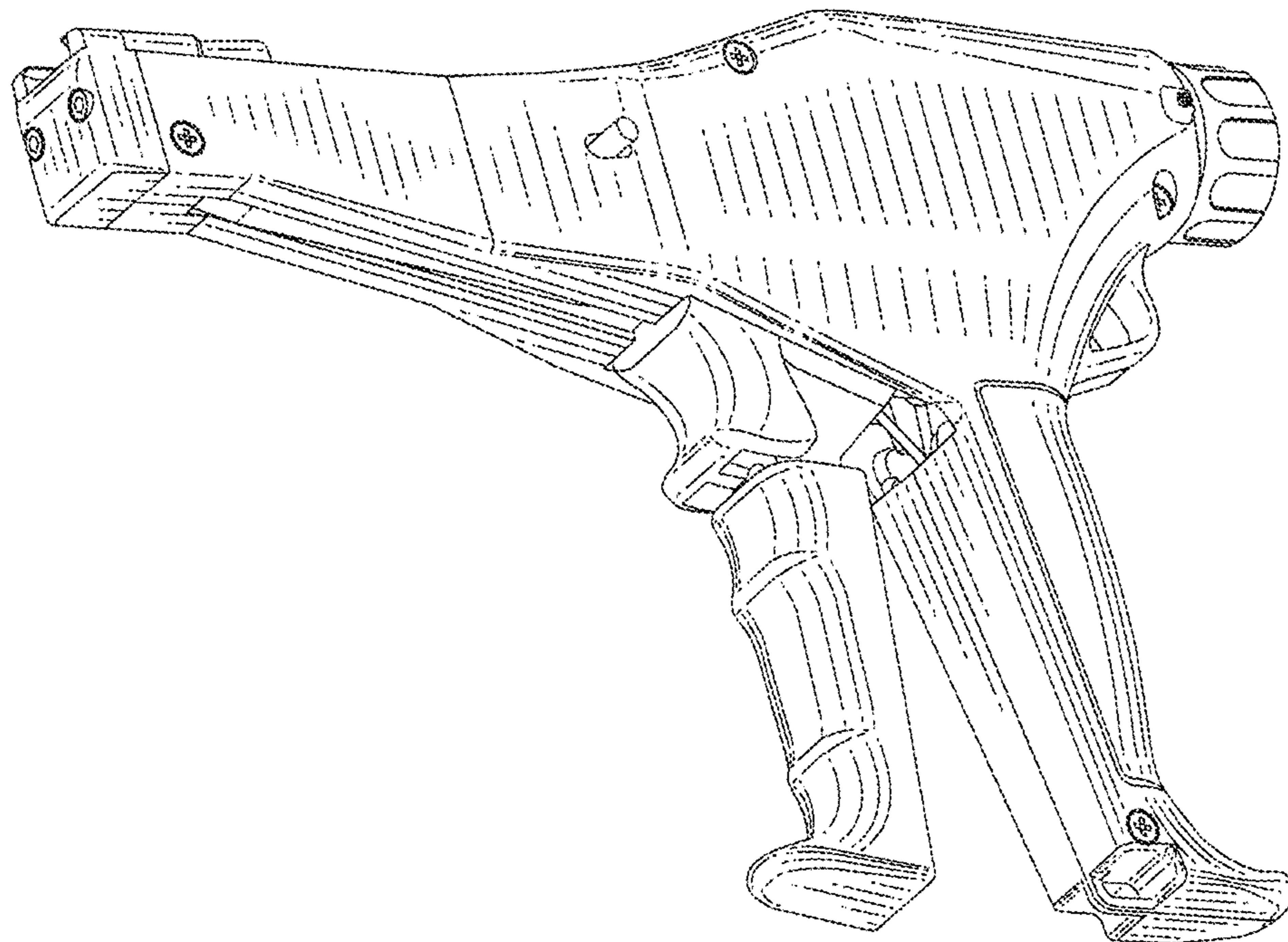


Fig. 3

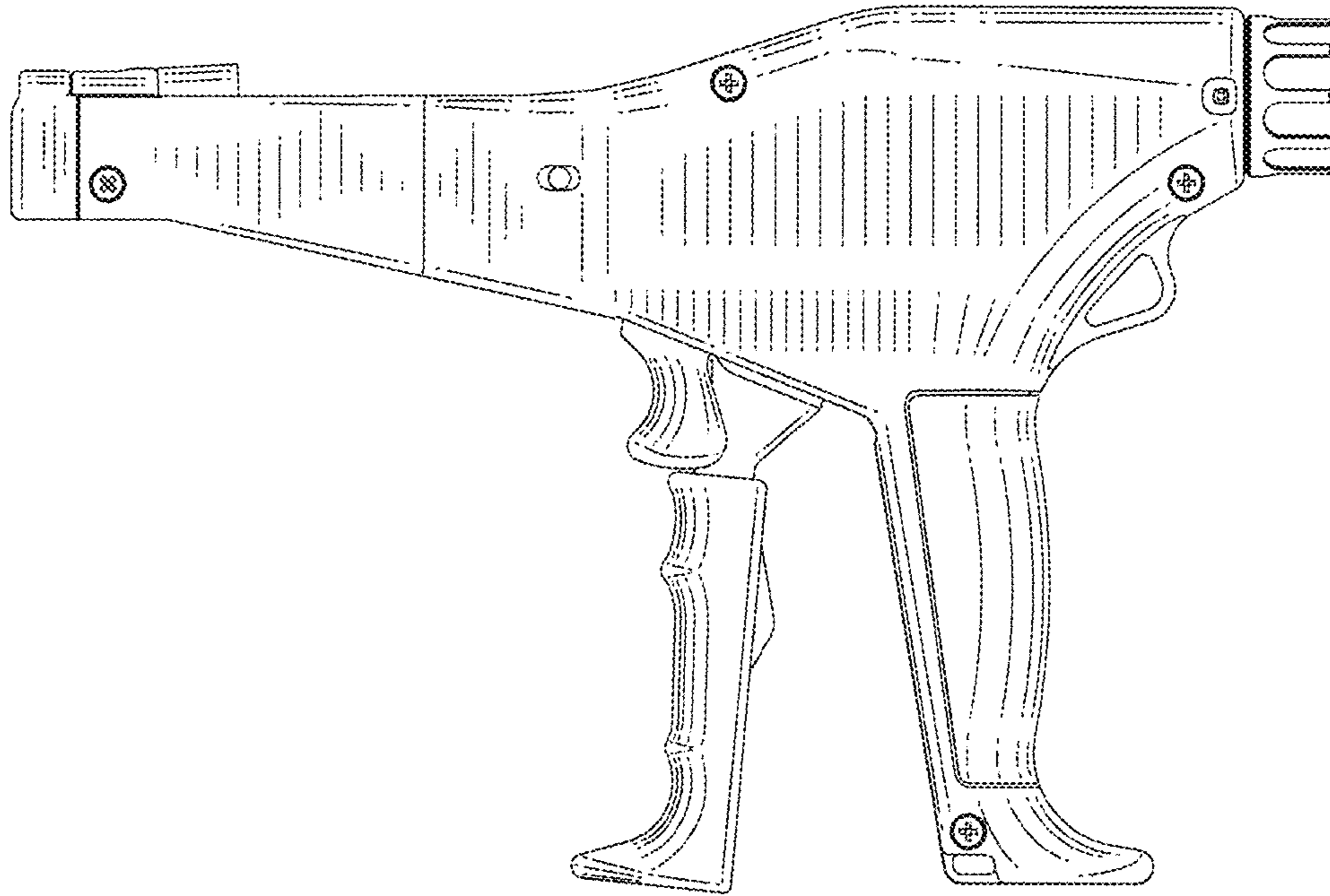


Fig. 4

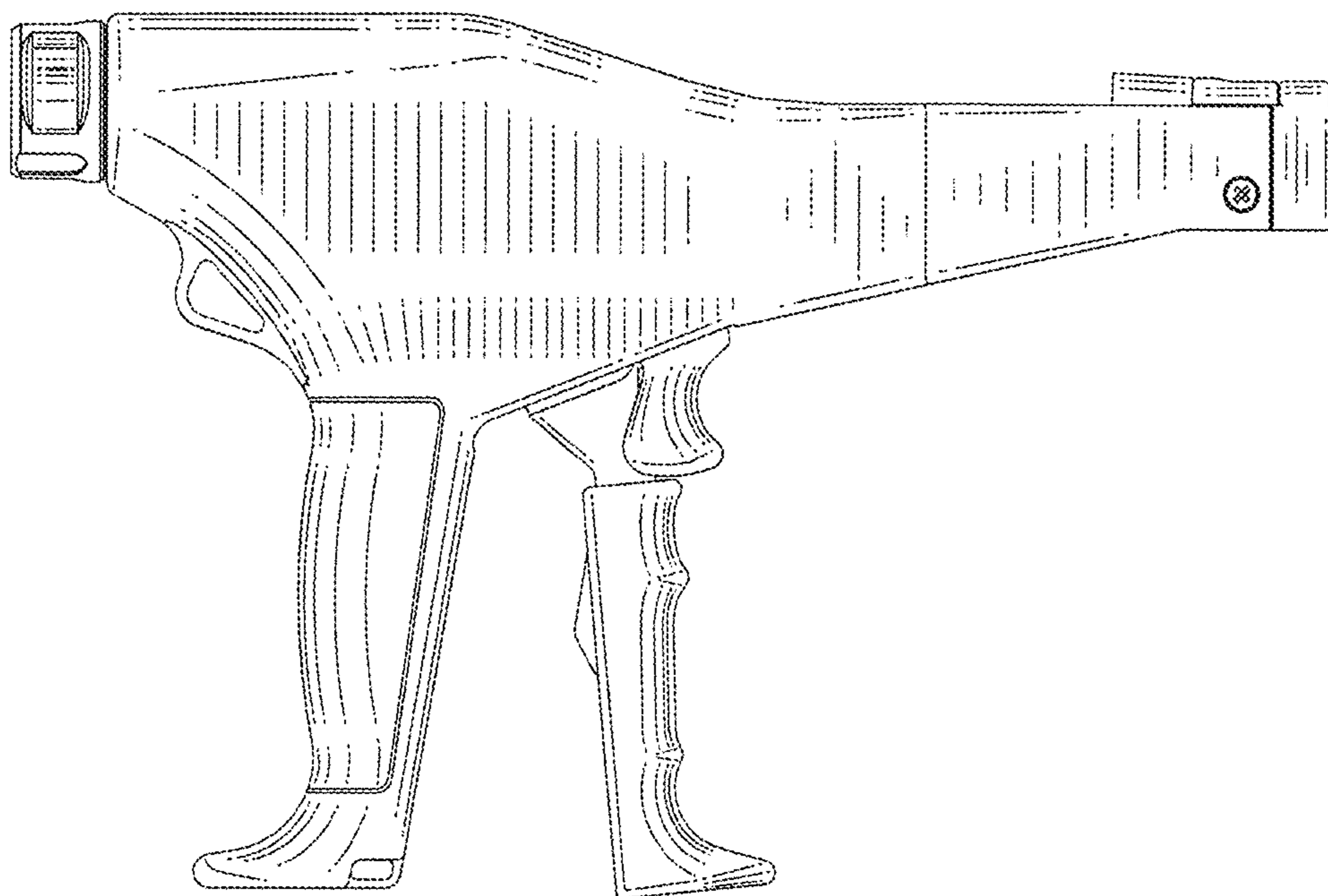


Fig. 5

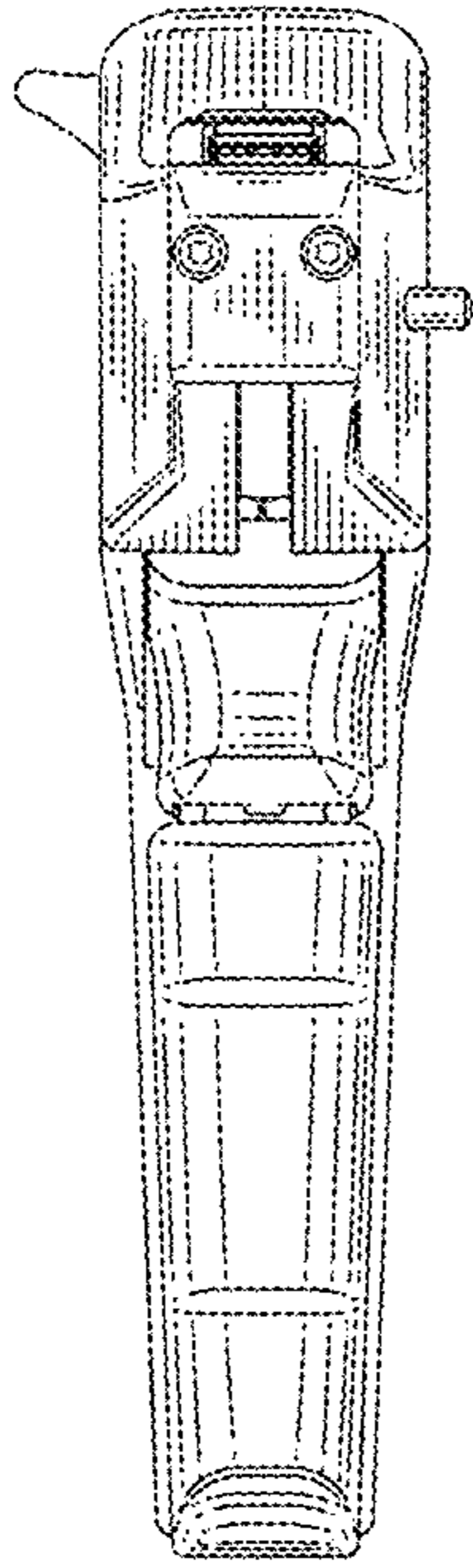


Fig. 6

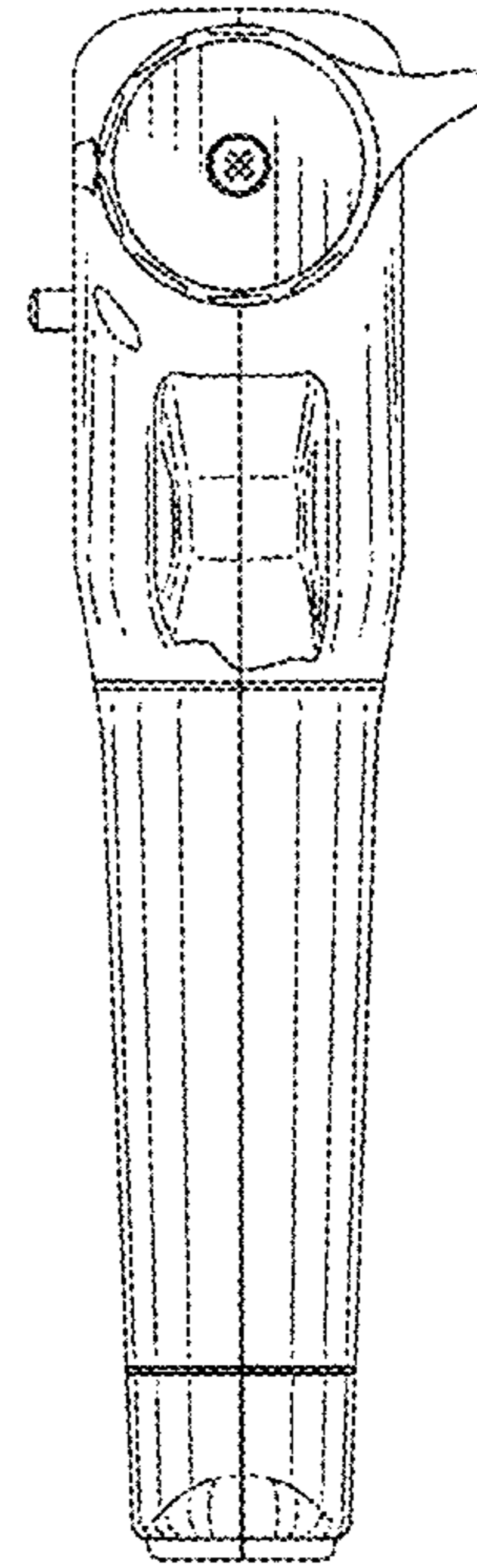


Fig. 7

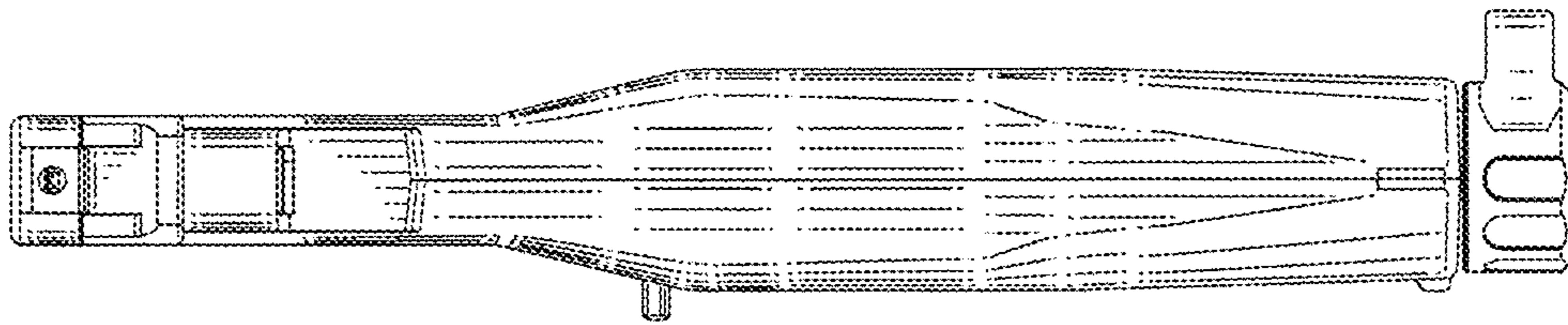


Fig. 8

