



US00D818785S

(12) **United States Design Patent**
Chalu

(10) **Patent No.:** **US D818,785 S**

(45) **Date of Patent:** **** *May 29, 2018**

(54) **TOOL FOR UNLOCKING VEHICLE DOORS**

4,683,783 A 8/1987 Fanberg
4,836,061 A * 6/1989 Weinraub E05B 19/20
81/15.9

(71) Applicant: **Purandat Chalu**, Brooklyn, NY (US)

4,873,897 A 10/1989 Williams
4,882,954 A 11/1989 Selby
5,440,954 A * 8/1995 Stevens E05B 19/20
81/15.9

(72) Inventor: **Purandat Chalu**, Brooklyn, NY (US)

(*) Notice: This patent is subject to a terminal disclaimer.

D390,439 S * 2/1998 Staiger D8/14
6,591,473 B1 7/2003 Child

(**) Term: **15 Years**

* cited by examiner

(21) Appl. No.: **29/505,811**

Primary Examiner — Phillip S Hyder

(22) Filed: **Feb. 17, 2016**

(74) *Attorney, Agent, or Firm* — Paul R. Martin

(51) **LOC (11) Cl.** **08-05**

(57) **CLAIM**

(52) **U.S. Cl.**
USPC **D8/14**

The ornamental design for a tool for unlocking vehicle doors, as shown and described.

(58) **Field of Classification Search**
USPC D8/14, 105, 51, 367
CPC E05B 19/20; Y10T 70/8946; B25J 1/00;
B25J 1/04
See application file for complete search history.

DESCRIPTION

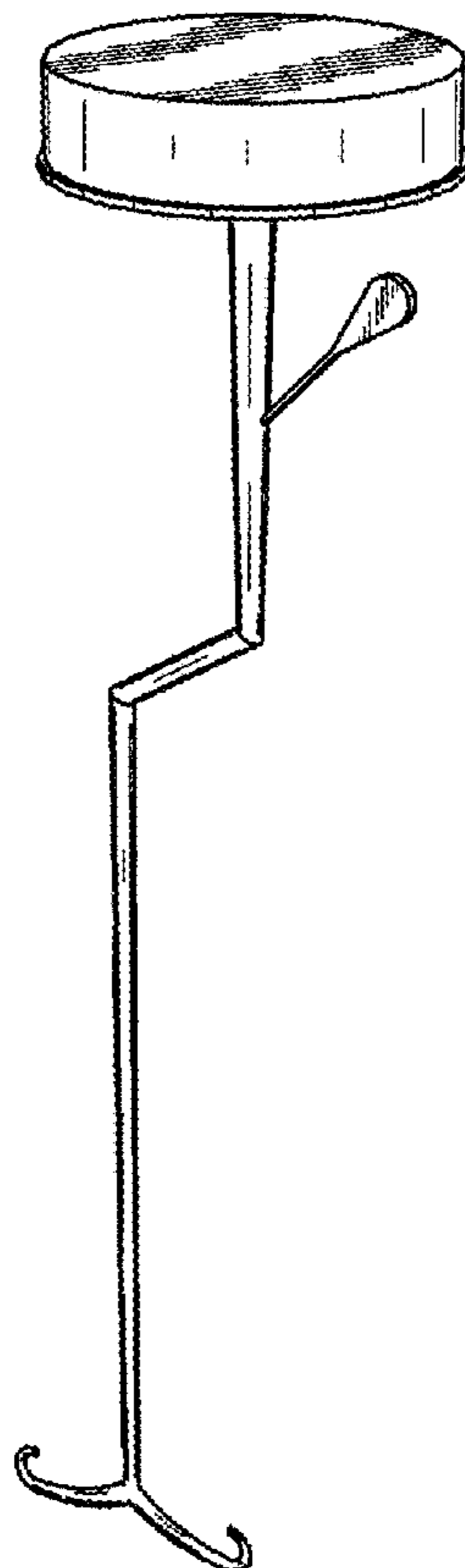
(56) **References Cited**

U.S. PATENT DOCUMENTS

2,027,009 A * 1/1936 Wycaver E05B 19/20
254/131
3,664,211 A 5/1972 McConnell

FIG. 1 is a perspective view of the tool for unlocking vehicle doors of my new design.
FIG. 2. Is a front elevational view thereof.
FIG. 3 is a back elevational view thereof.
FIG. 4 is a right side elevational view thereof.
FIG. 5 is a left side elevational view thereof.
FIG. 6 is a bottom plan view thereof; and,
FIG. 7 is a top plan view thereof.

1 Claim, 4 Drawing Sheets



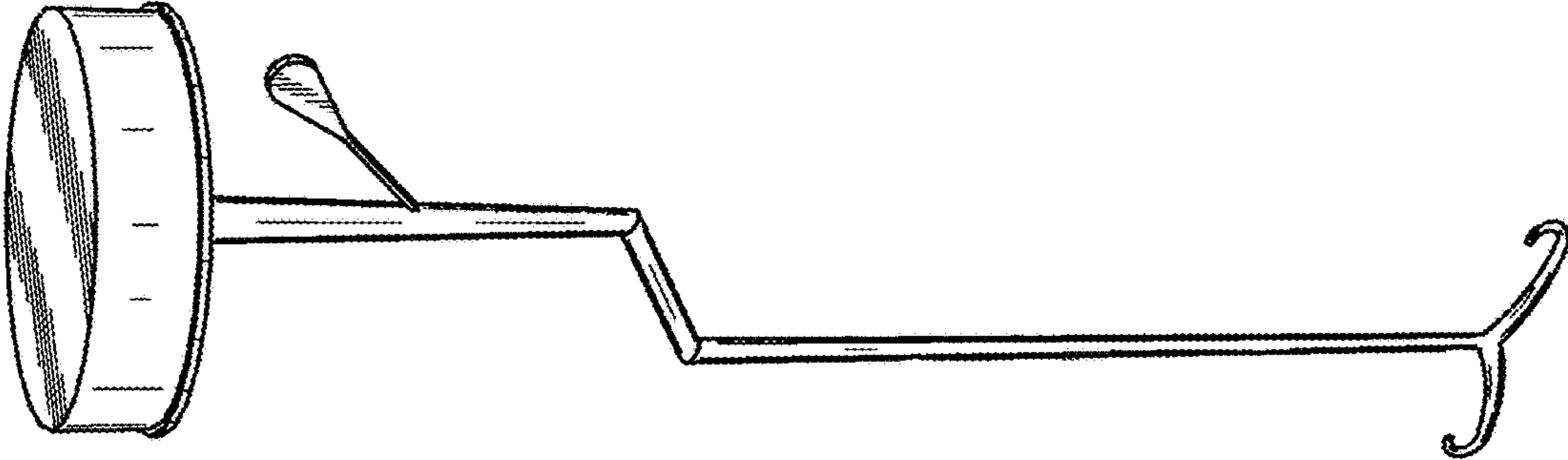


FIG. 1

FIG.3

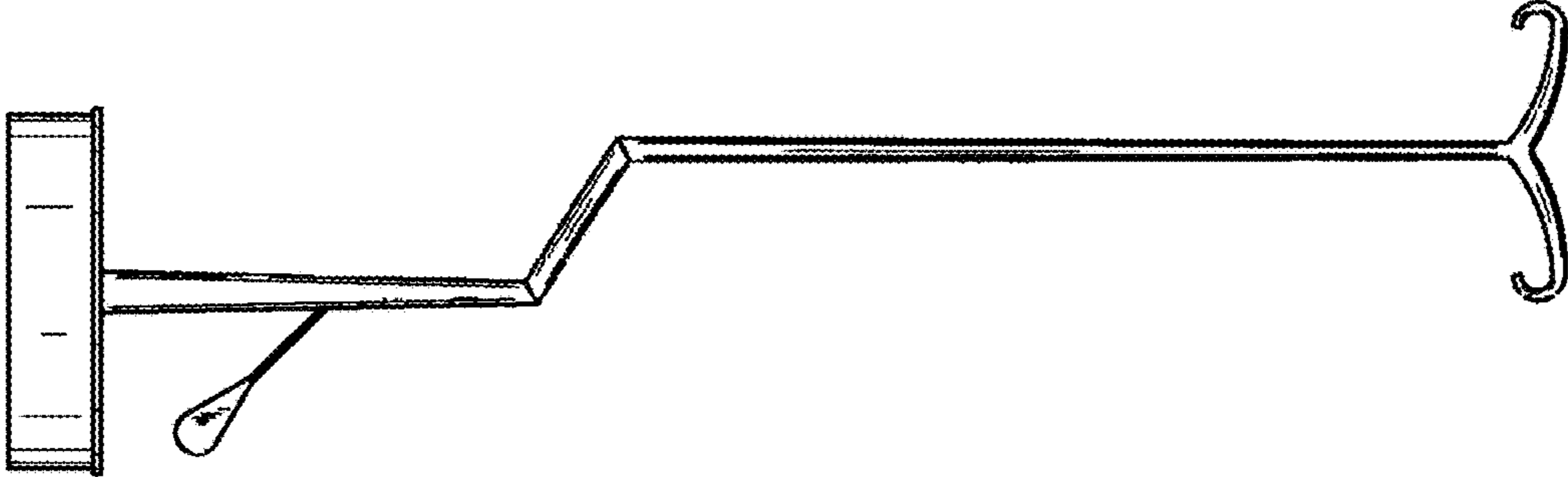


FIG.2

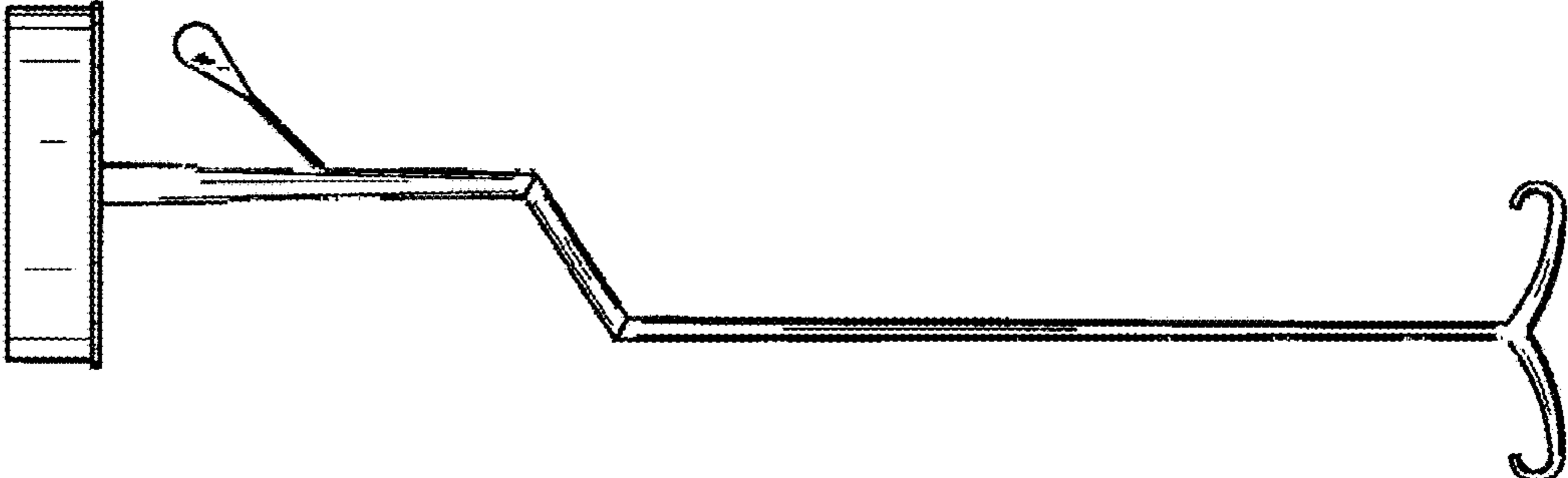


FIG.5

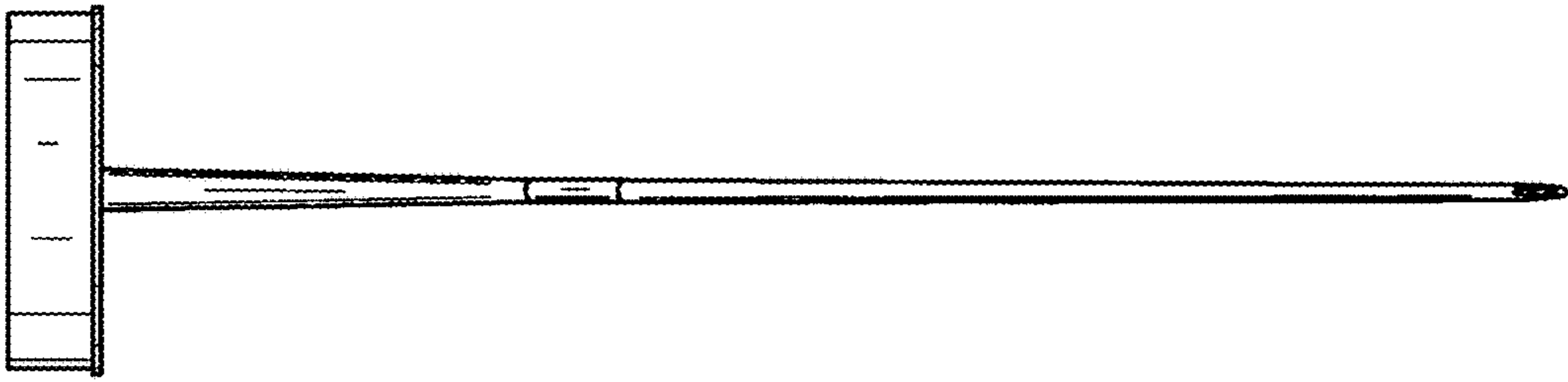
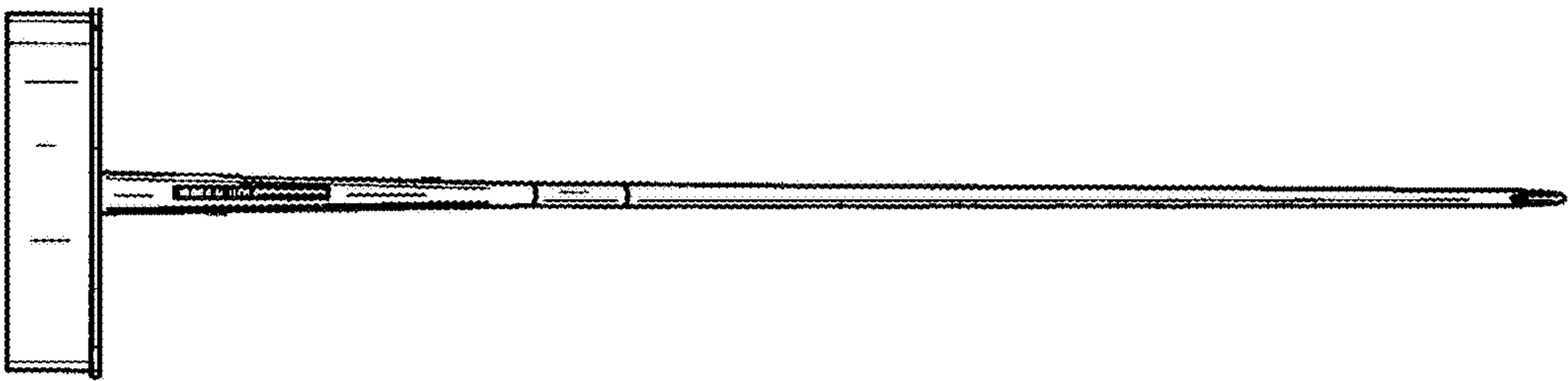


FIG.4



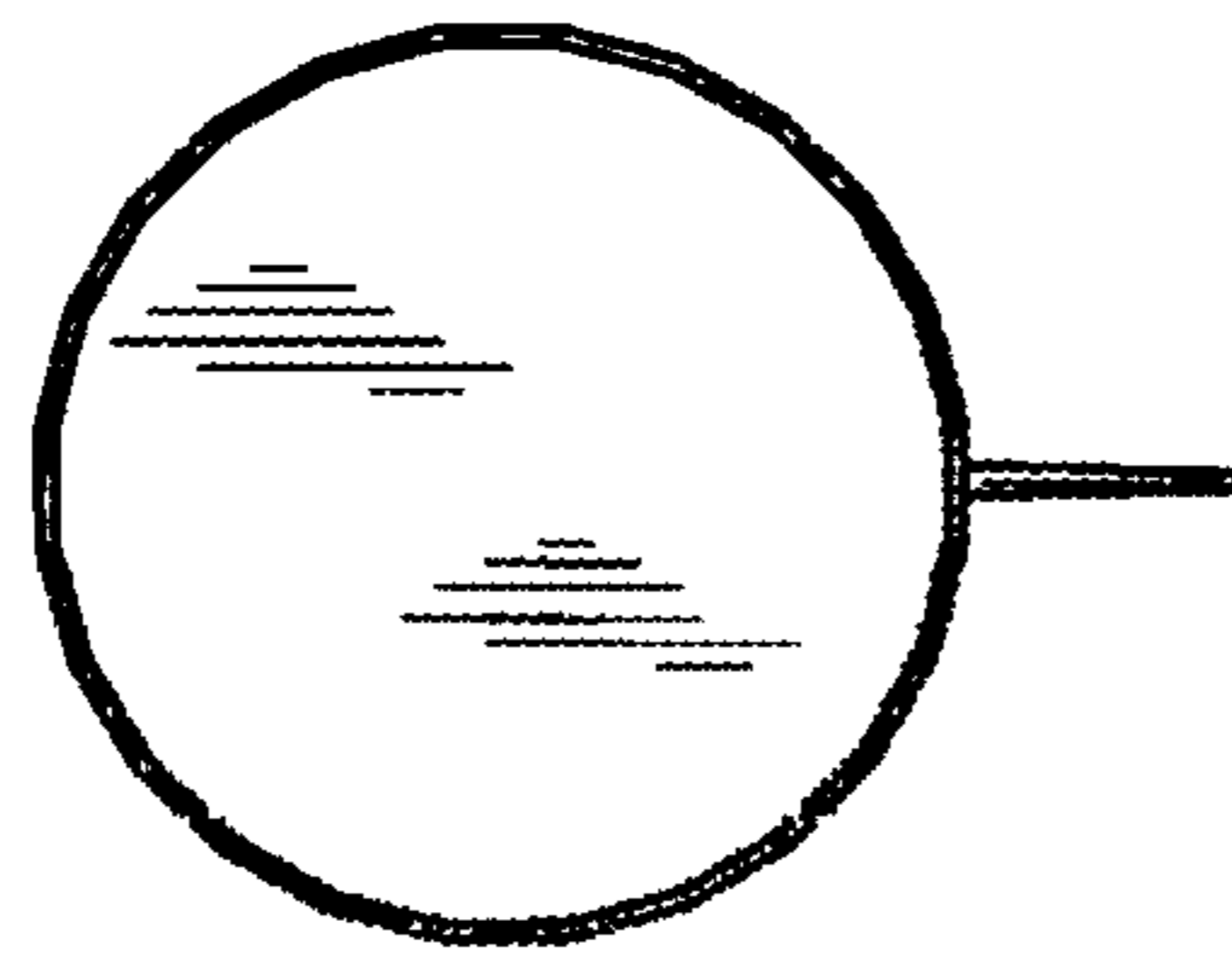


FIG. 6

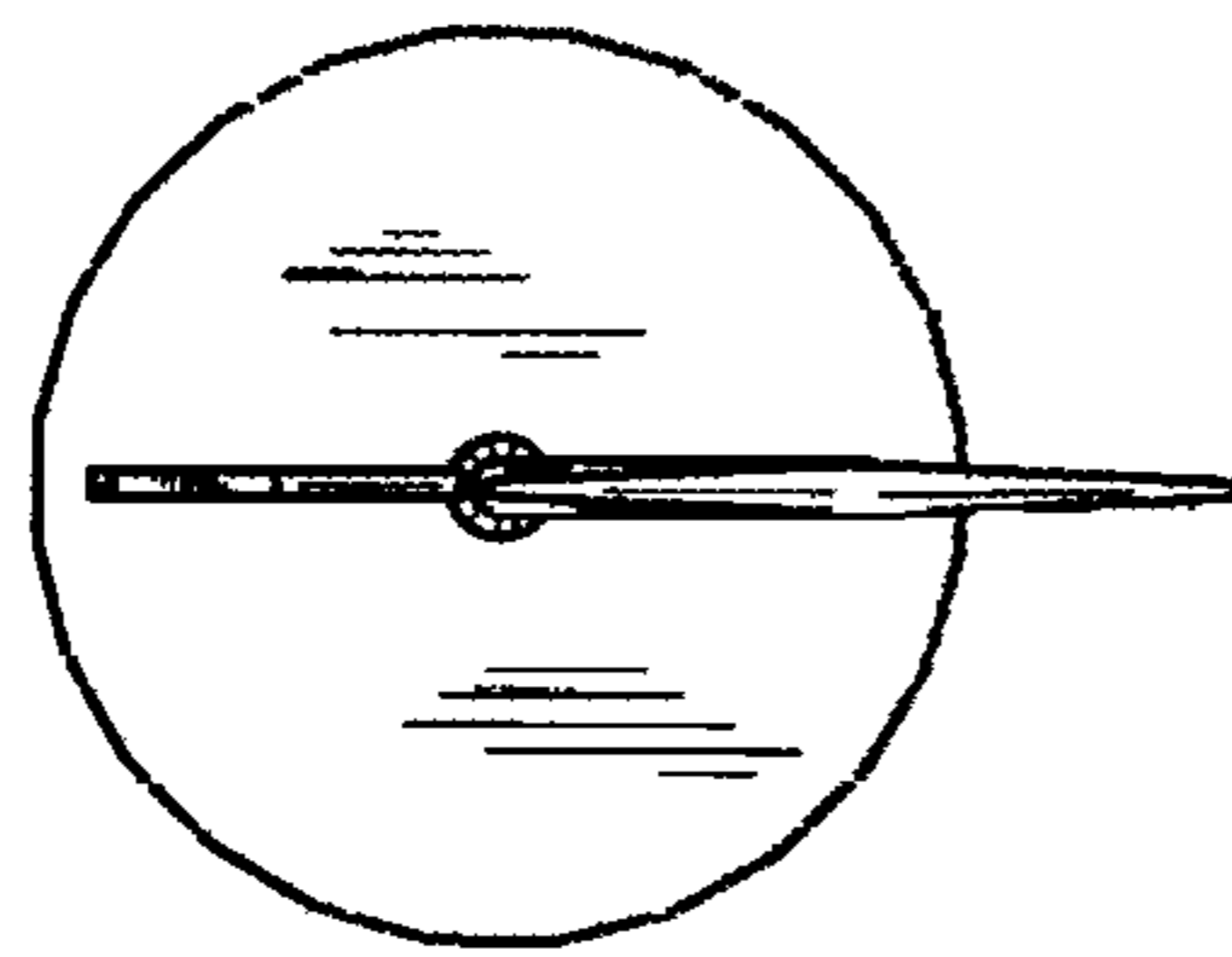


FIG. 7