



US00D818782S

(12) **United States Design Patent**  
**Joseph**

(10) **Patent No.:** **US D818,782 S**  
(45) **Date of Patent:** **\*\* May 29, 2018**

(54) **GRATER**  
(71) Applicant: **JOSEPH JOSEPH LTD.**, London (GB)  
(72) Inventor: **Antony Joseph**, London (GB)  
(73) Assignee: **JOSEPH JOSEPH LTD.**, London (GB)

5,988,050 A \* 11/1999 Foster, Jr. .... A47J 47/10  
210/241  
D543,412 S \* 5/2007 Munson ..... D7/354  
D543,422 S \* 5/2007 Kaposi ..... D7/674  
D568,102 S \* 5/2008 Ruiz de Az a ..... D7/316  
D641,217 S \* 7/2011 Chen ..... D7/667  
D653,917 S \* 2/2012 Ehrenhaus ..... D7/584  
D691,425 S \* 10/2013 Zemel ..... D7/629  
2010/0270406 A1 \* 10/2010 Grace ..... A47J 43/255  
241/93

(\*\*) Term: **15 Years**  
(21) Appl. No.: **29/598,735**  
(22) Filed: **Mar. 28, 2017**

\* cited by examiner

*Primary Examiner* — Terry A Wallace  
(74) *Attorney, Agent, or Firm* — Millen, White, Zelano, Branigan, P.C.

(30) **Foreign Application Priority Data**  
Nov. 28, 2016 (EM) ..... 003490242-0002  
(51) **LOC (11) Cl.** ..... **07-04**  
(52) **U.S. Cl.**  
USPC ..... **D7/678; D7/667**  
(58) **Field of Classification Search**  
USPC ..... D7/678, 667, 672-675, 381, 693,  
D7/584-587, 629, 602  
CPC .. B26D 1/30; B26D 7/18; A47J 45/063; A47J  
43/25; A47J 43/00; A47J 43/255; A47J  
19/04; A47J 17/02; A47J 17/04  
See application file for complete search history.

(57) **CLAIM**

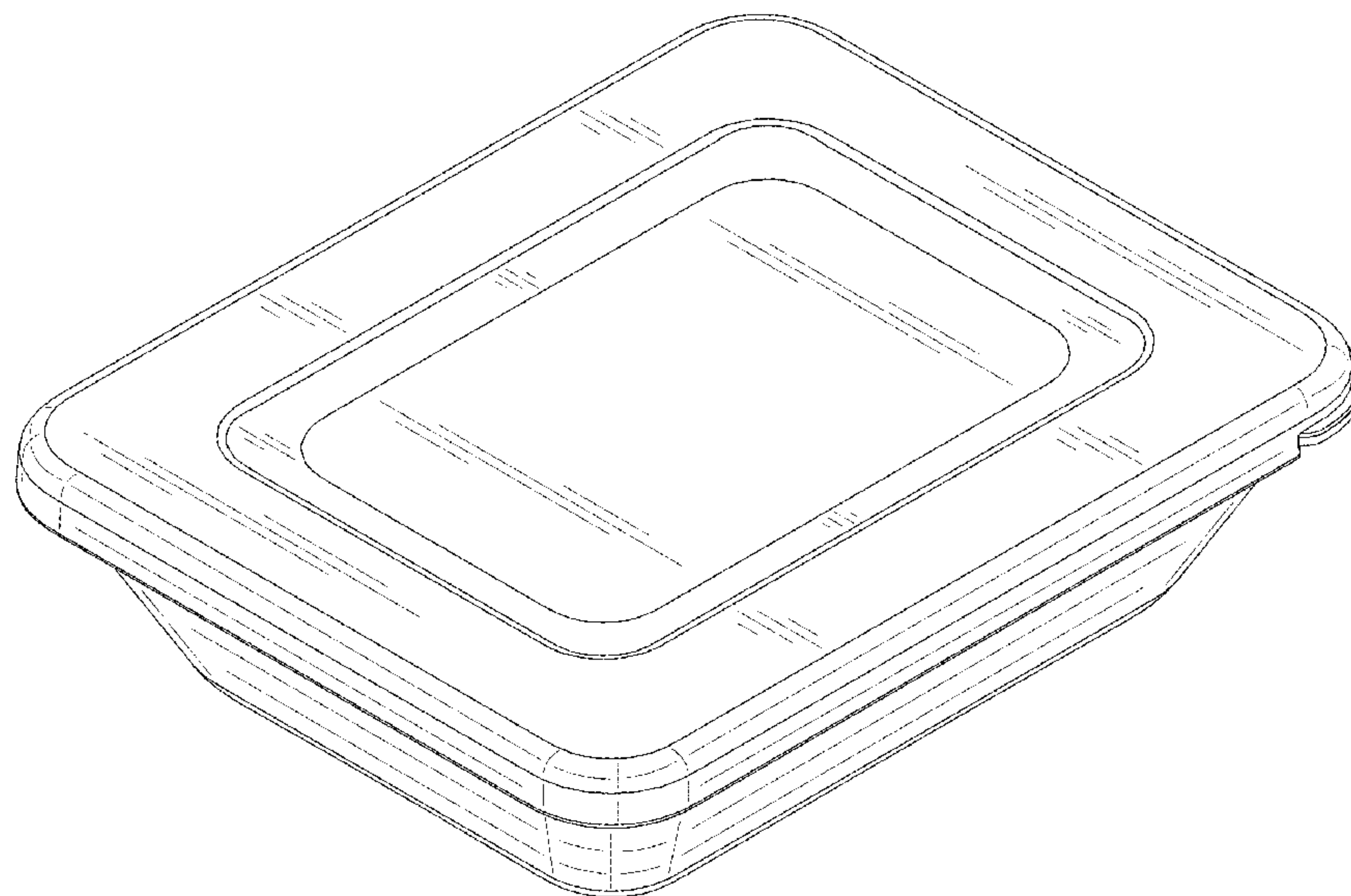
The ornamental design for a grater, as shown and described.

**DESCRIPTION**

FIG. 1 is a top perspective view of the grater in a closed confirmation showing my new design.  
FIG. 2 is a top view thereof in a closed confirmation.  
FIG. 3 is a bottom view thereof in a closed confirmation.  
FIG. 4 is side view thereof in a closed confirmation.  
FIG. 5 is another side view thereof in a closed confirmation.  
FIG. 6 is another side view thereof in a closed confirmation.  
FIG. 7 is another side view thereof.  
FIG. 8 is top perspective view thereof in an open confirmation; and,  
FIG. 9 is an exploded bottom perspective view thereof in a closed confirmation.  
The broken lines in the drawings illustrate portions of the grater which form no part of the claimed design.

(56) **References Cited**  
U.S. PATENT DOCUMENTS  
D167,270 S \* 7/1952 Marcus ..... D7/678  
4,037,793 A \* 7/1977 Puustinen ..... A47J 43/25  
241/168  
5,083,734 A \* 1/1992 Ancona ..... A47J 43/25  
241/101.2  
D393,986 S \* 5/1998 Joergensen ..... D7/678

**1 Claim, 9 Drawing Sheets**



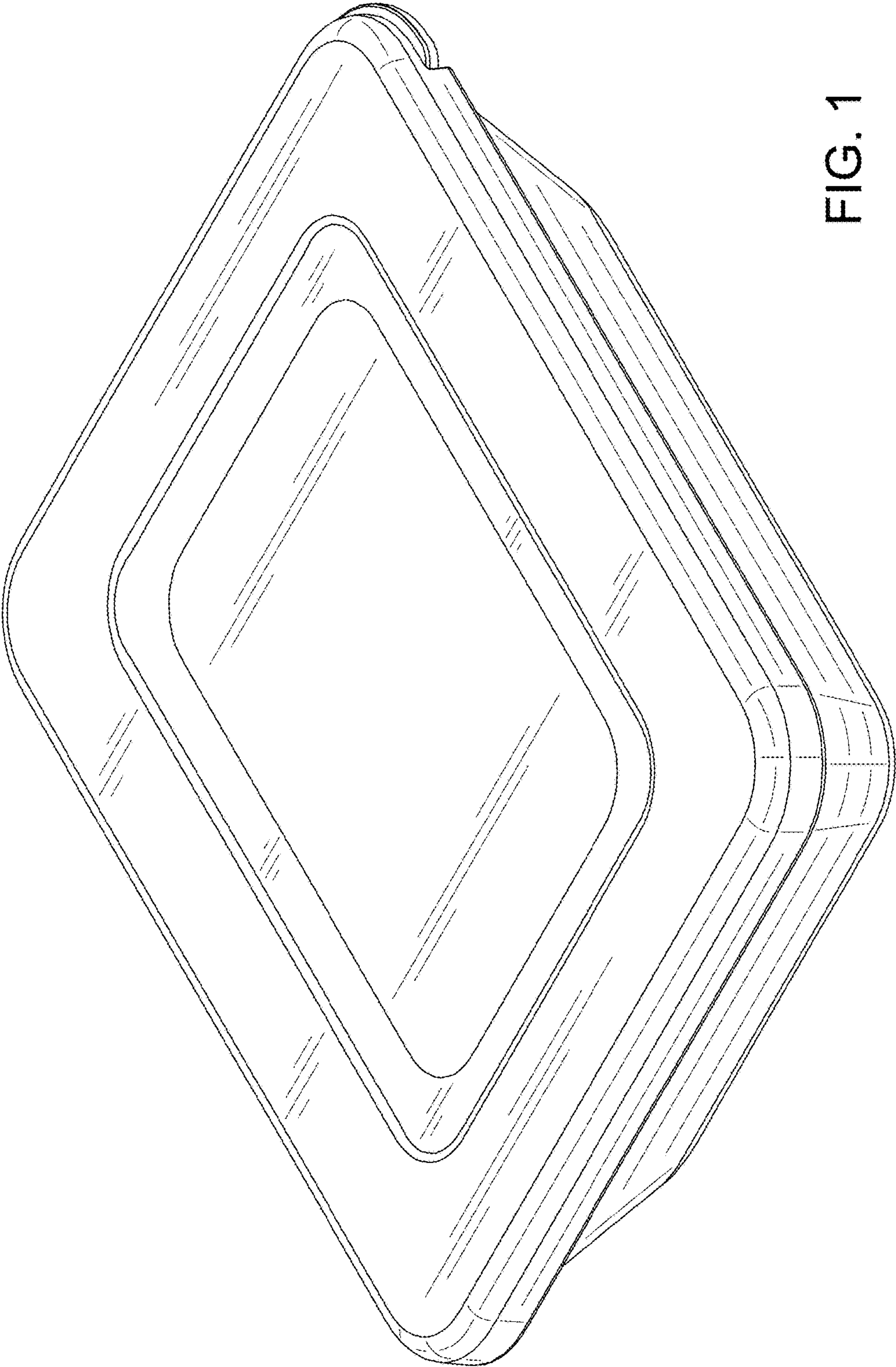


FIG. 1

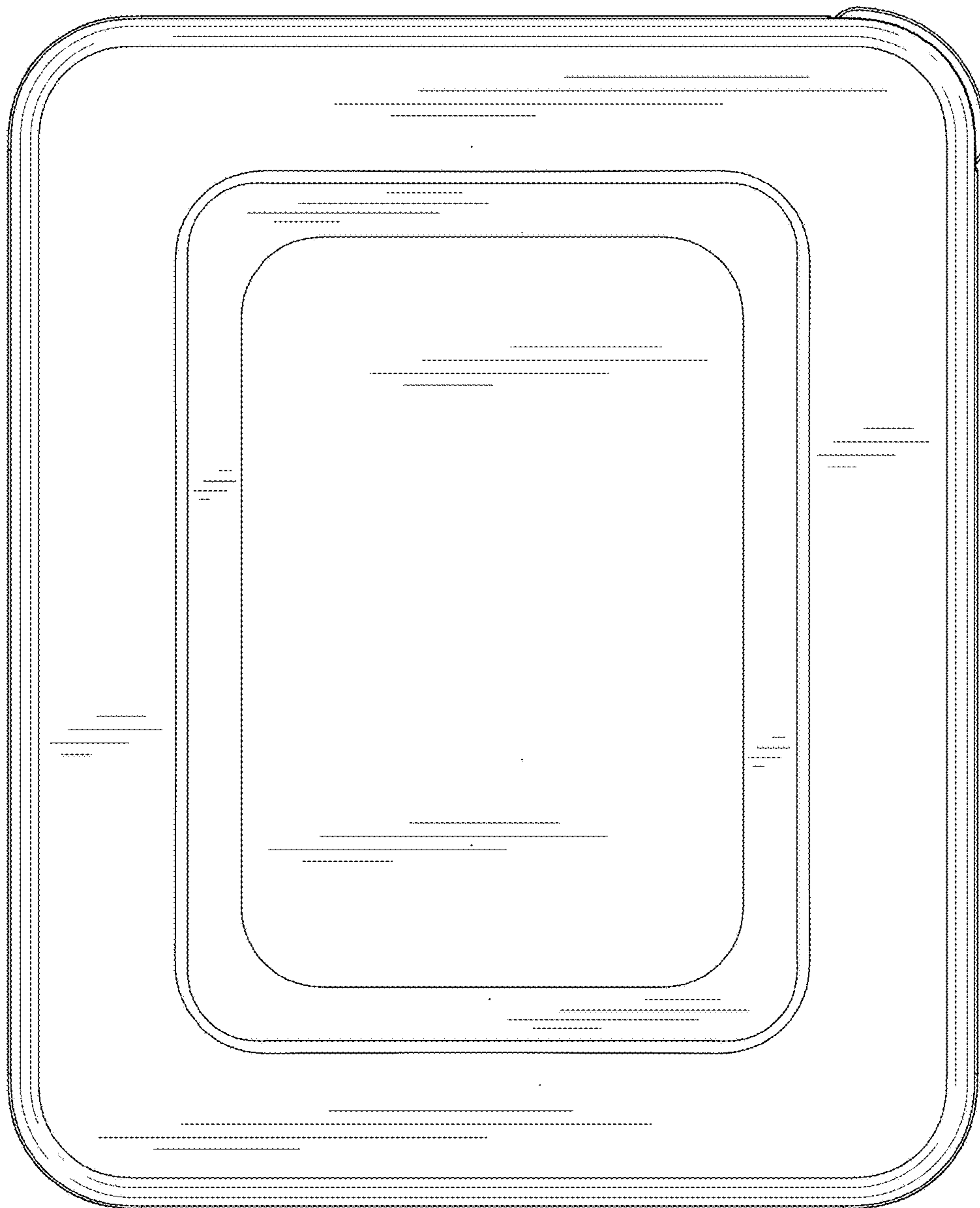


FIG. 2



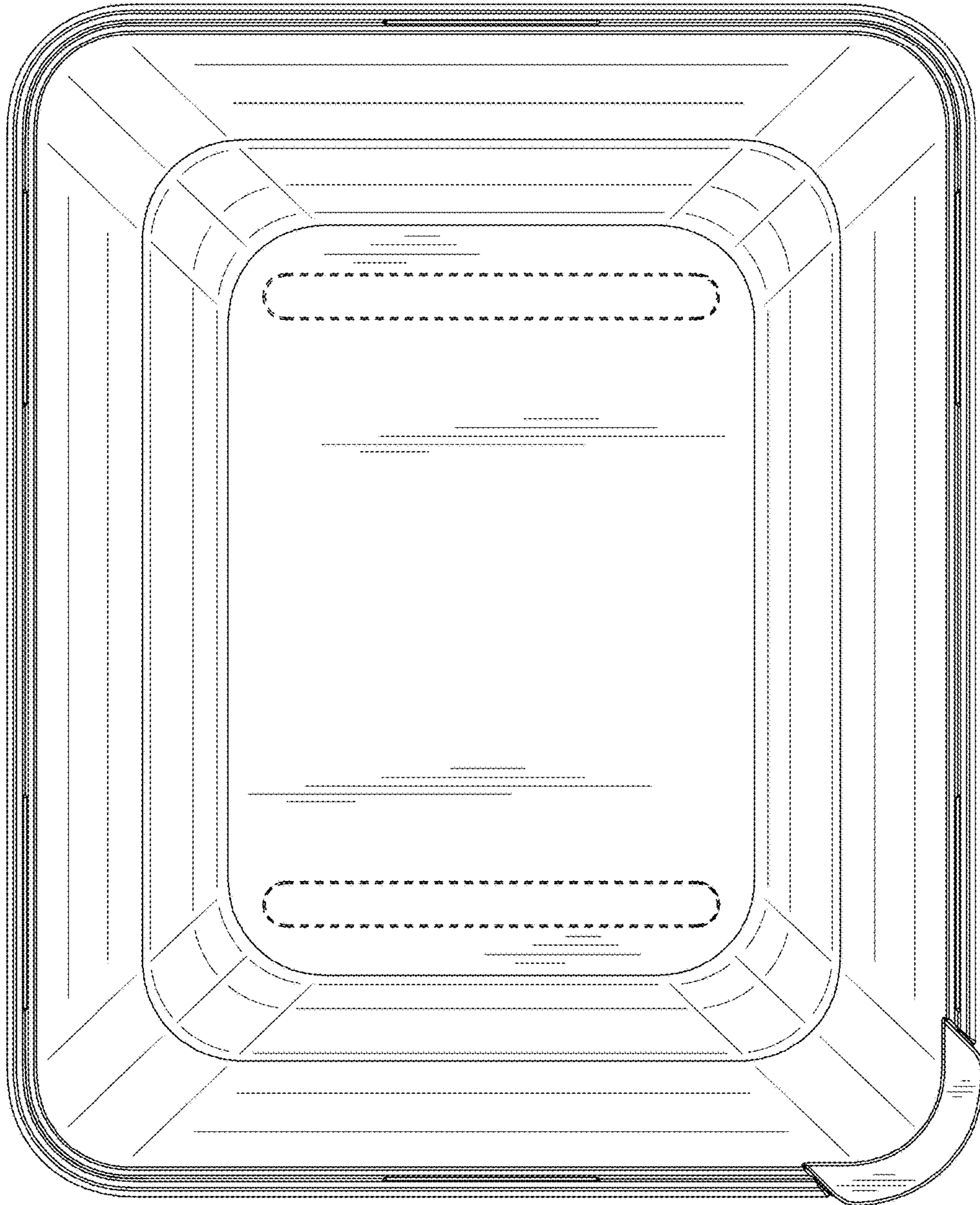


FIG. 3

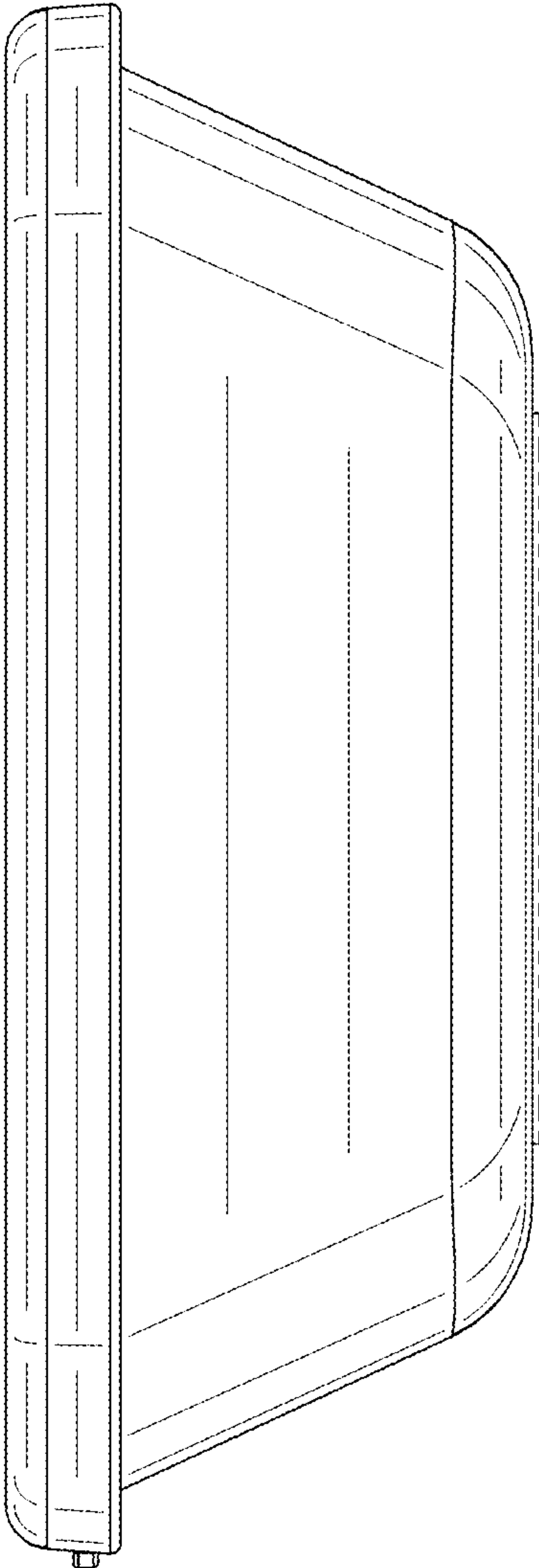


FIG. 4

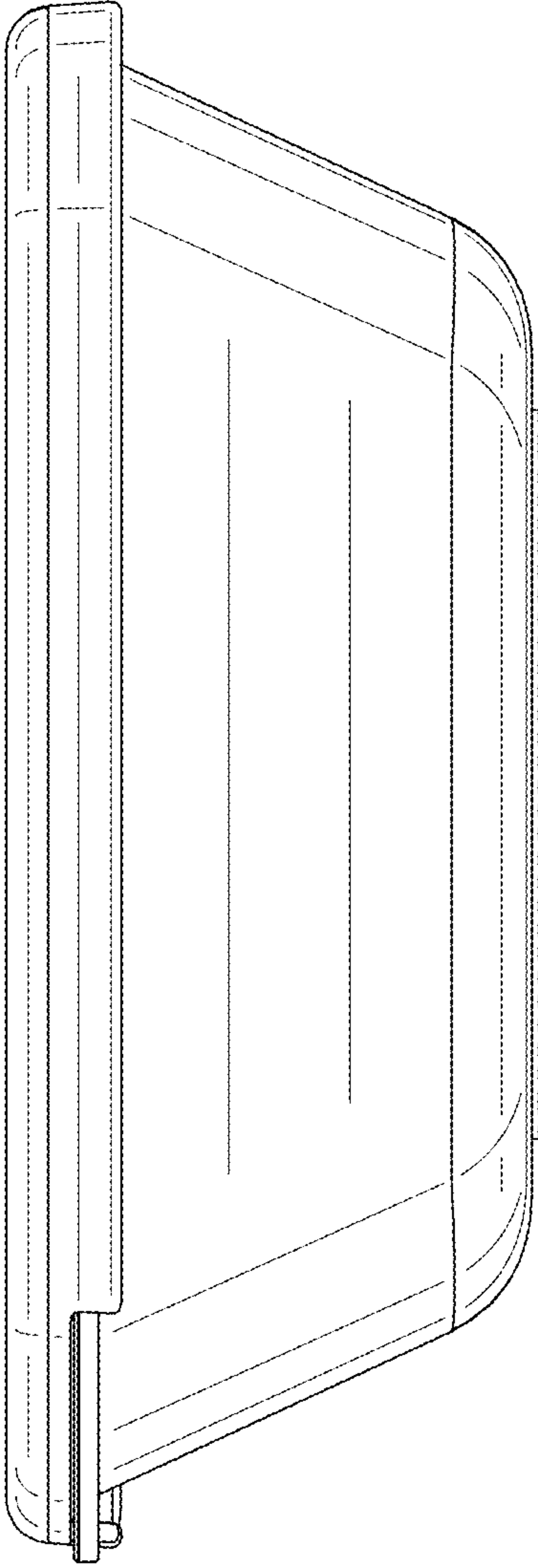


FIG. 5

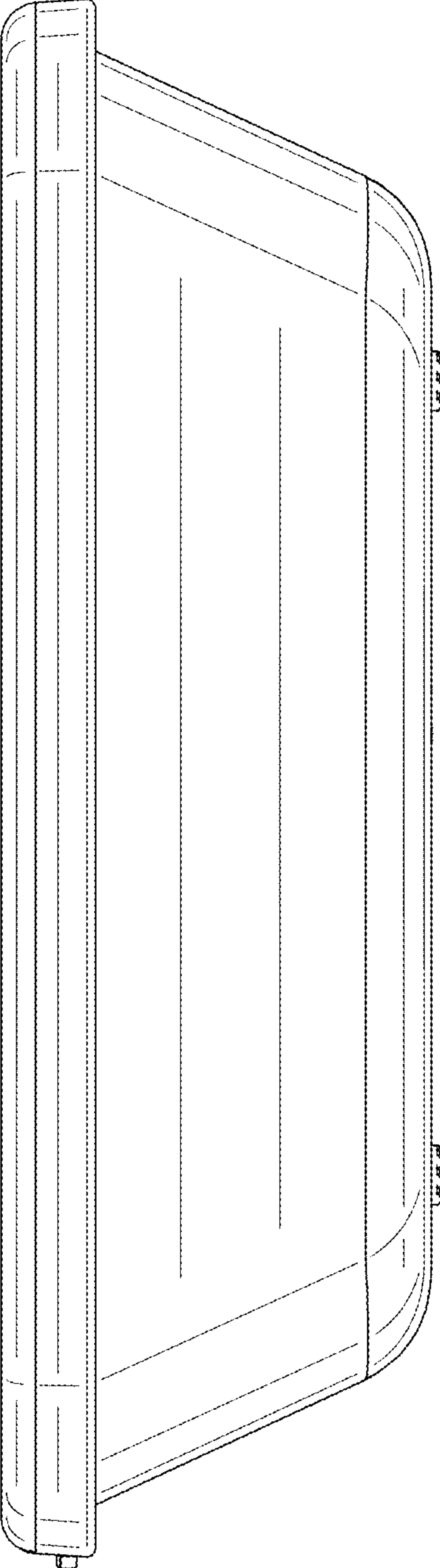


FIG. 6

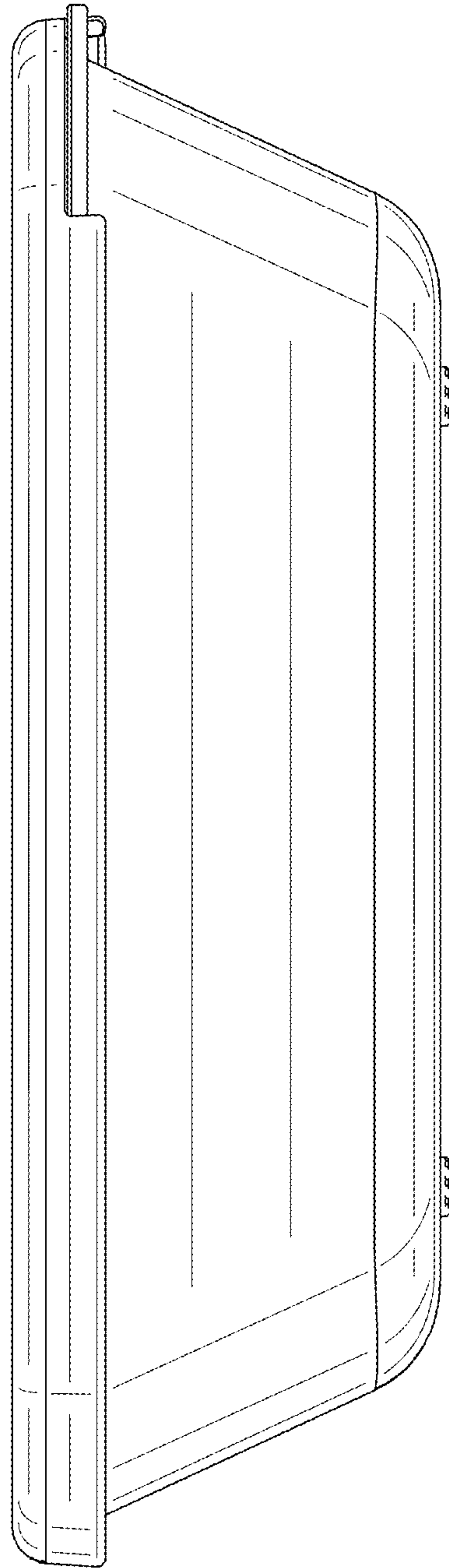


FIG. 7



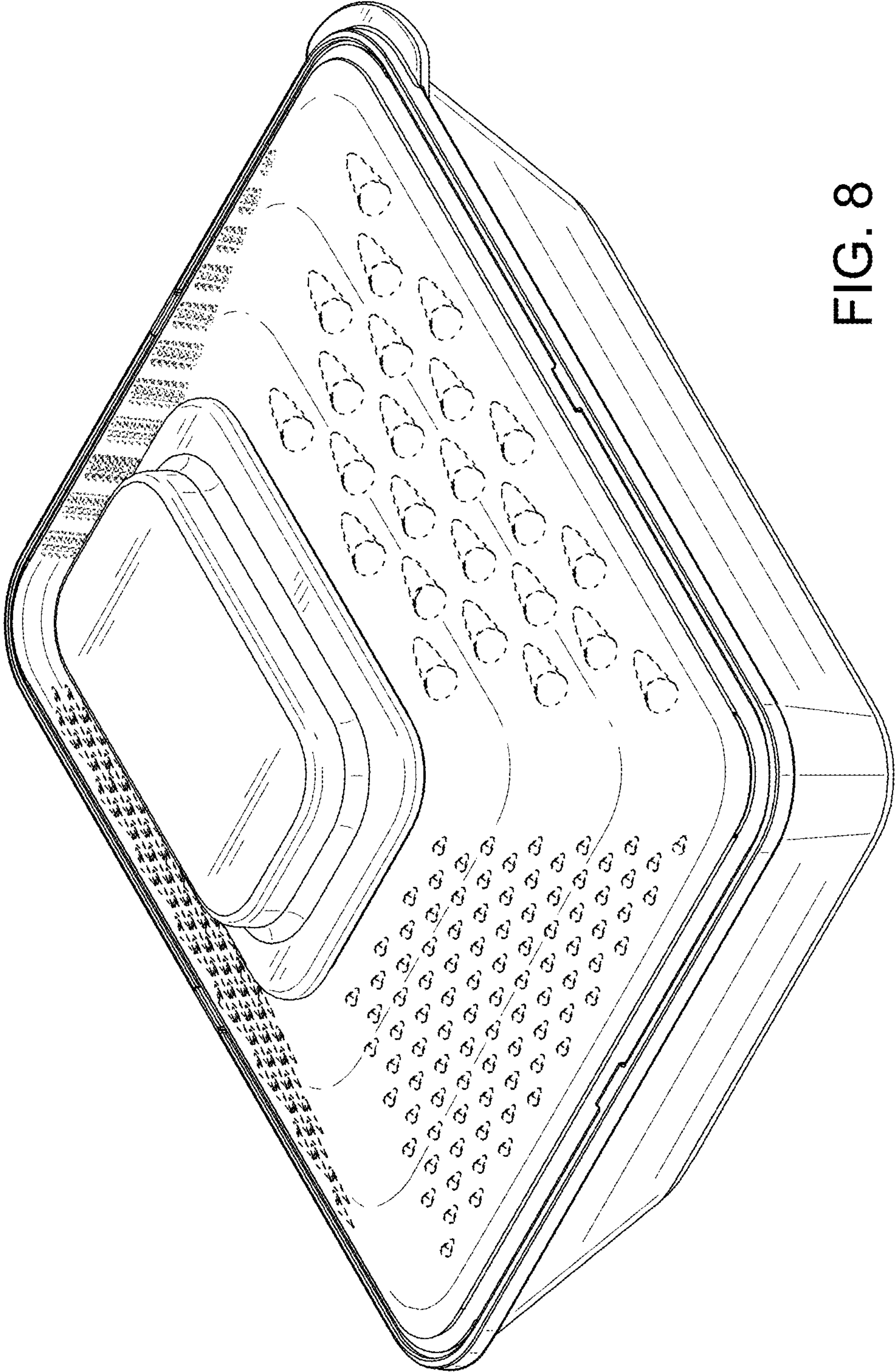


FIG. 8

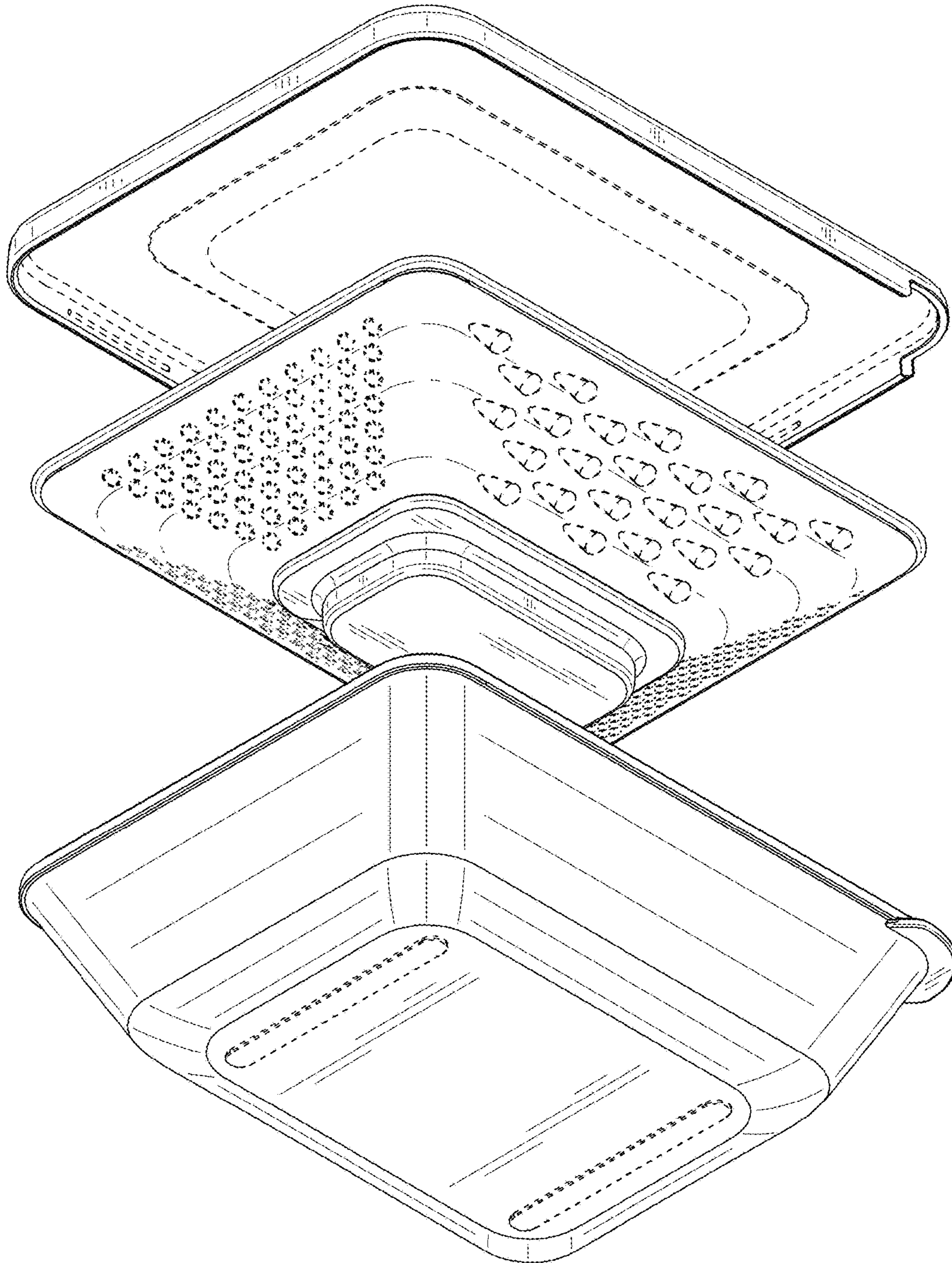


FIG. 9