



US00D818778S

(12) **United States Design Patent**  
**Beernaert et al.**

(10) **Patent No.:** **US D818,778 S**  
(45) **Date of Patent:** **\*\* May 29, 2018**

(54) **COOLING CONTAINER**

D649,783 S \* 12/2011 Brunner ..... D3/279  
D667,697 S \* 9/2012 Shah ..... D7/605  
D731,858 S \* 6/2015 Golic ..... D7/605

(71) Applicant: **Reliance Products Ltd.**, Winnipeg  
(CA)

(Continued)

(72) Inventors: **David George Beernaert**, Winnipeg  
(CA); **Glenn Bartlett**, Winnipeg (CA)

**OTHER PUBLICATIONS**

Igloo, "Trailmate® Journey 70 Qt Cooler", First reviewed Nov. 18, 2017. (<https://www.igloocoolers.com/products/34157-trailmate-journey-70-qt-cooler-gray>).\*

(73) Assignee: **Reliance Products Ltd.**, Wpg. MB  
(CA)

*Primary Examiner* — Jennifer Rivard

(\*\*) Term: **15 Years**

*Assistant Examiner* — April Rivas

(21) Appl. No.: **29/593,120**

(74) *Attorney, Agent, or Firm* — Adrian D. Battison; Ade & Company Inc.; Michael R. William

(22) Filed: **Feb. 6, 2017**

(51) **LOC (11) Cl.** ..... **07-01**

(57) **CLAIM**

(52) **U.S. Cl.**  
USPC ..... **D7/605**

The ornamental design for a cooling container, as shown and described.

(58) **Field of Classification Search**  
USPC ..... D7/605, 607, 608, 630, 629, 703;  
D3/273, 276, 279, 282, 284, 289, 902,  
D3/901, 274  
CPC ..... B65D 81/3813; B65D 81/3823; B65D  
81/3888; B65D 81/3816; A45C 11/20;  
F25B 19/00

**DESCRIPTION**

See application file for complete search history.

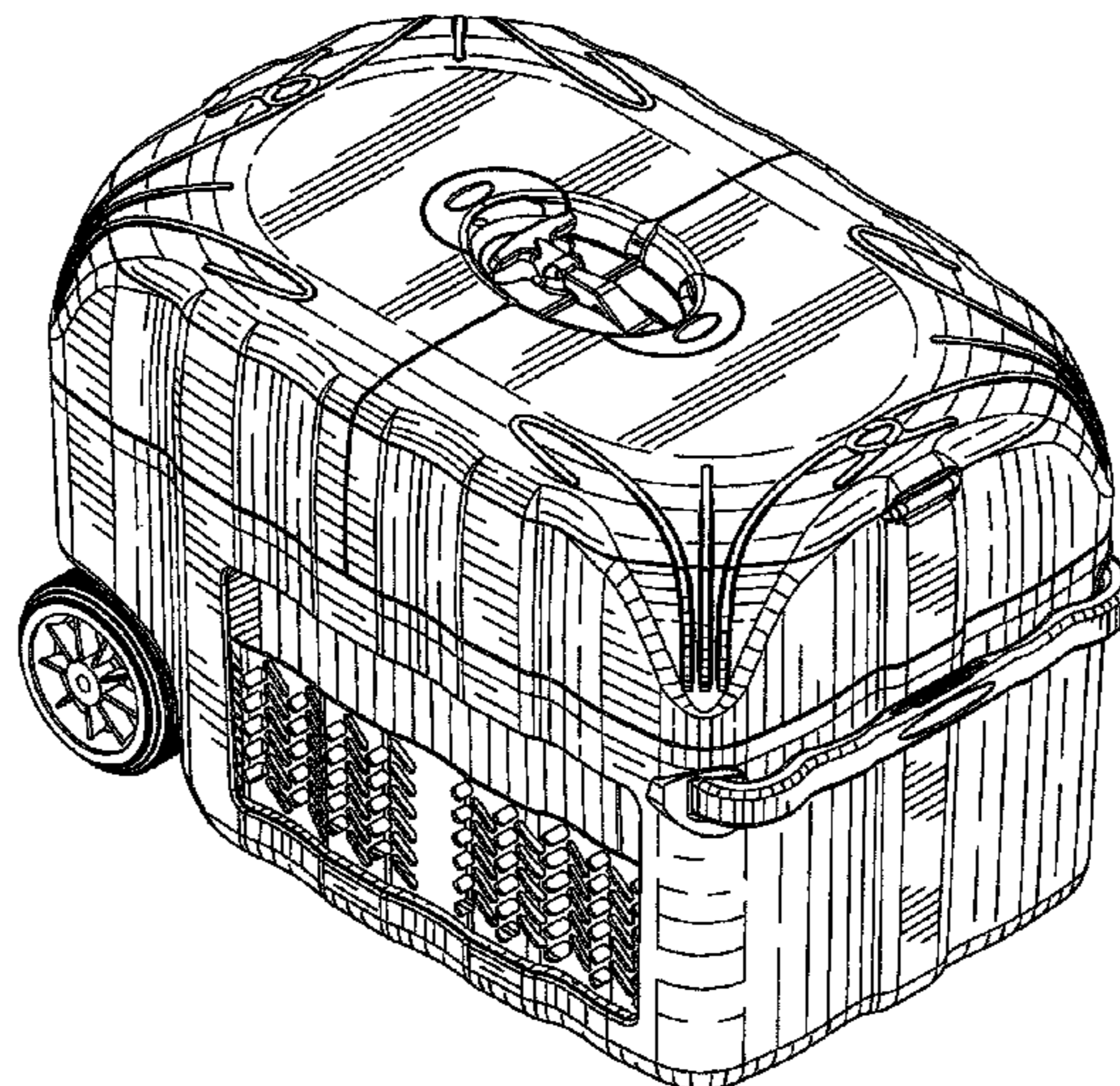
FIG. 1 is a top, left, and front perspective view of the cooling container showing the design in a closed position.  
FIG. 2 is a bottom, right, and back perspective view thereof.  
FIG. 3 is a front elevational view thereof.  
FIG. 4 is a rear elevational view thereof.  
FIG. 5 is a left side elevational view thereof.  
FIG. 6 is a right side elevational view thereof.  
FIG. 7 is a top plan view thereof.  
FIG. 8 is a bottom plan view thereof.  
FIG. 9 is a top, left, and front perspective view of the cooling container showing the design in an open position.  
FIG. 10 is a bottom, right, and back perspective view thereof.  
FIG. 11 is a front elevational view thereof.  
FIG. 12 is a rear elevational view thereof.  
FIG. 13 is a left side elevational view thereof.  
FIG. 14 is a right side elevational view thereof.  
FIG. 15 is a top plan view thereof; and,  
FIG. 16 is a bottom plan view thereof.

(56) **References Cited**

**U.S. PATENT DOCUMENTS**

- 3,979,007 A \* 9/1976 Thornbloom, Jr. .... A45C 11/20  
190/12 R
- D368,387 S \* 4/1996 Bureau ..... D6/686
- D369,695 S \* 5/1996 Imotani ..... D6/686
- D415,658 S \* 10/1999 Frehse ..... D7/605
- D429,606 S \* 8/2000 Israel ..... D7/605
- 6,315,149 B1 \* 11/2001 Conrado ..... A45C 5/14  
220/521
- D484,004 S \* 12/2003 Lee ..... D7/605
- D494,021 S \* 8/2004 Huthmaker ..... D7/605
- D527,225 S \* 8/2006 Krieger ..... D7/605
- D613,560 S \* 4/2010 Robichaud ..... D7/605

**1 Claim, 15 Drawing Sheets**



(56)

**References Cited**

U.S. PATENT DOCUMENTS

D778,662 S \* 2/2017 Gannon ..... D34/14  
9,791,200 B2 \* 10/2017 Grepper ..... F25D 3/08

\* cited by examiner



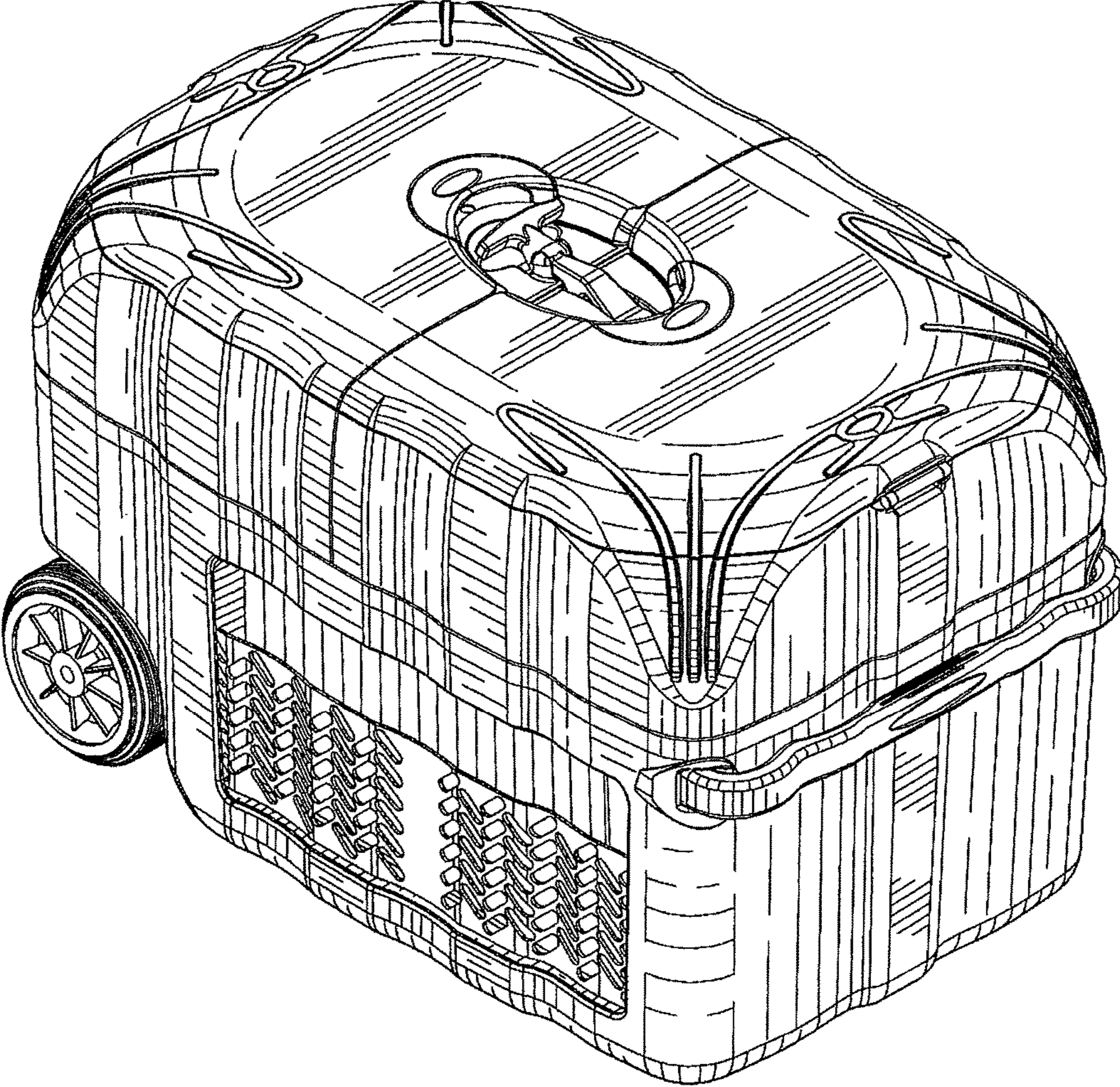


FIG.1



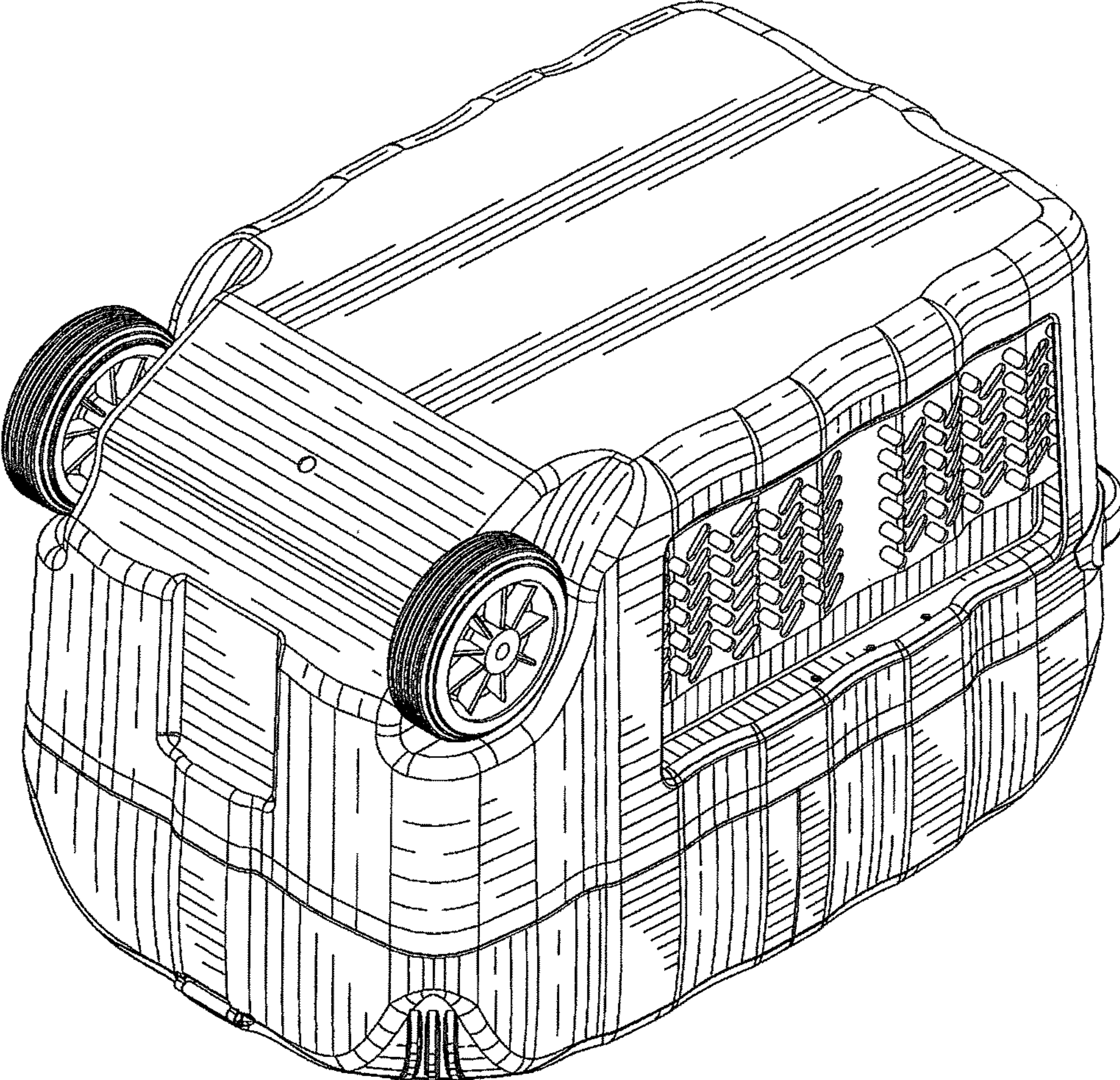


FIG.2

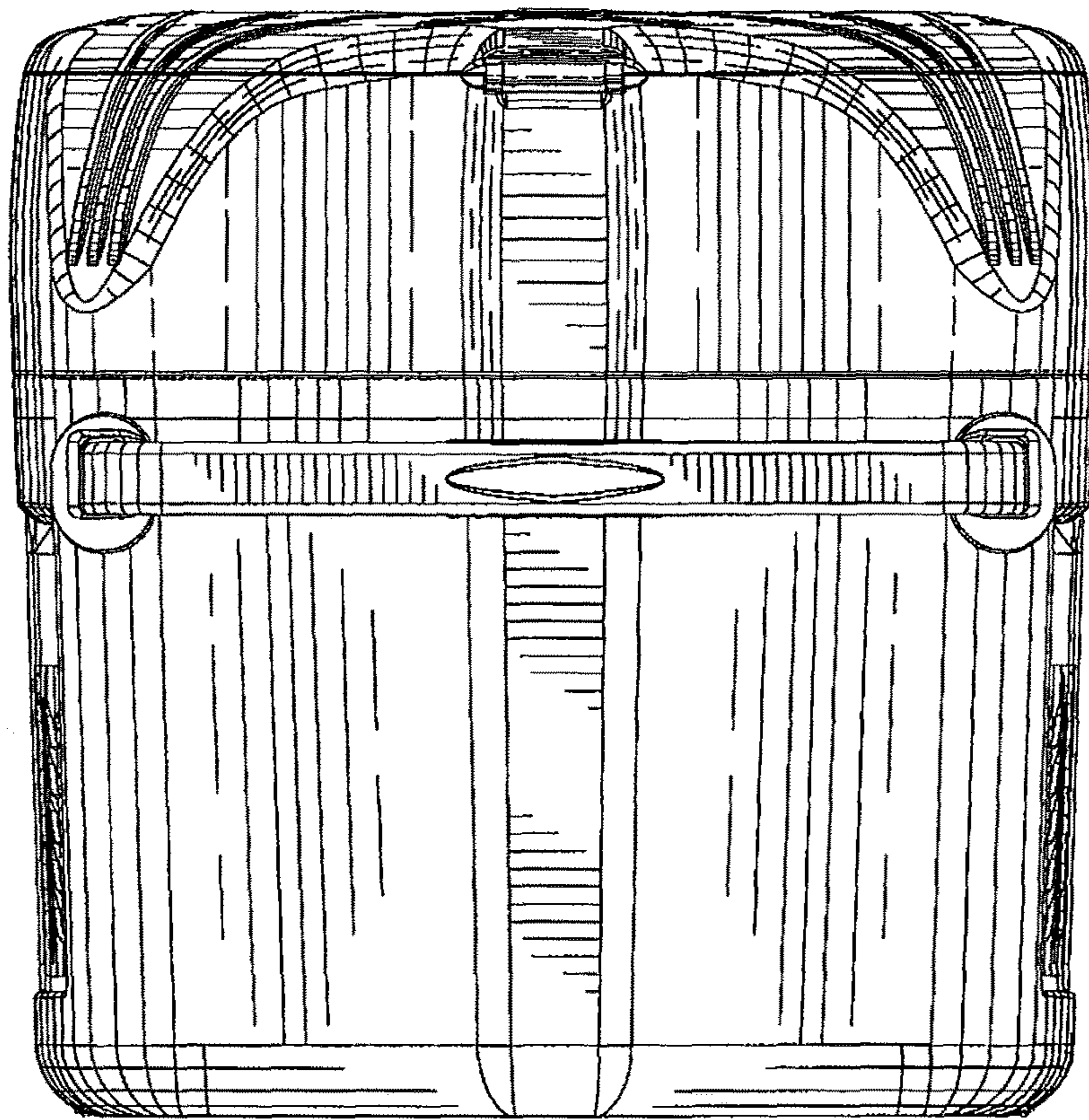


FIG.3



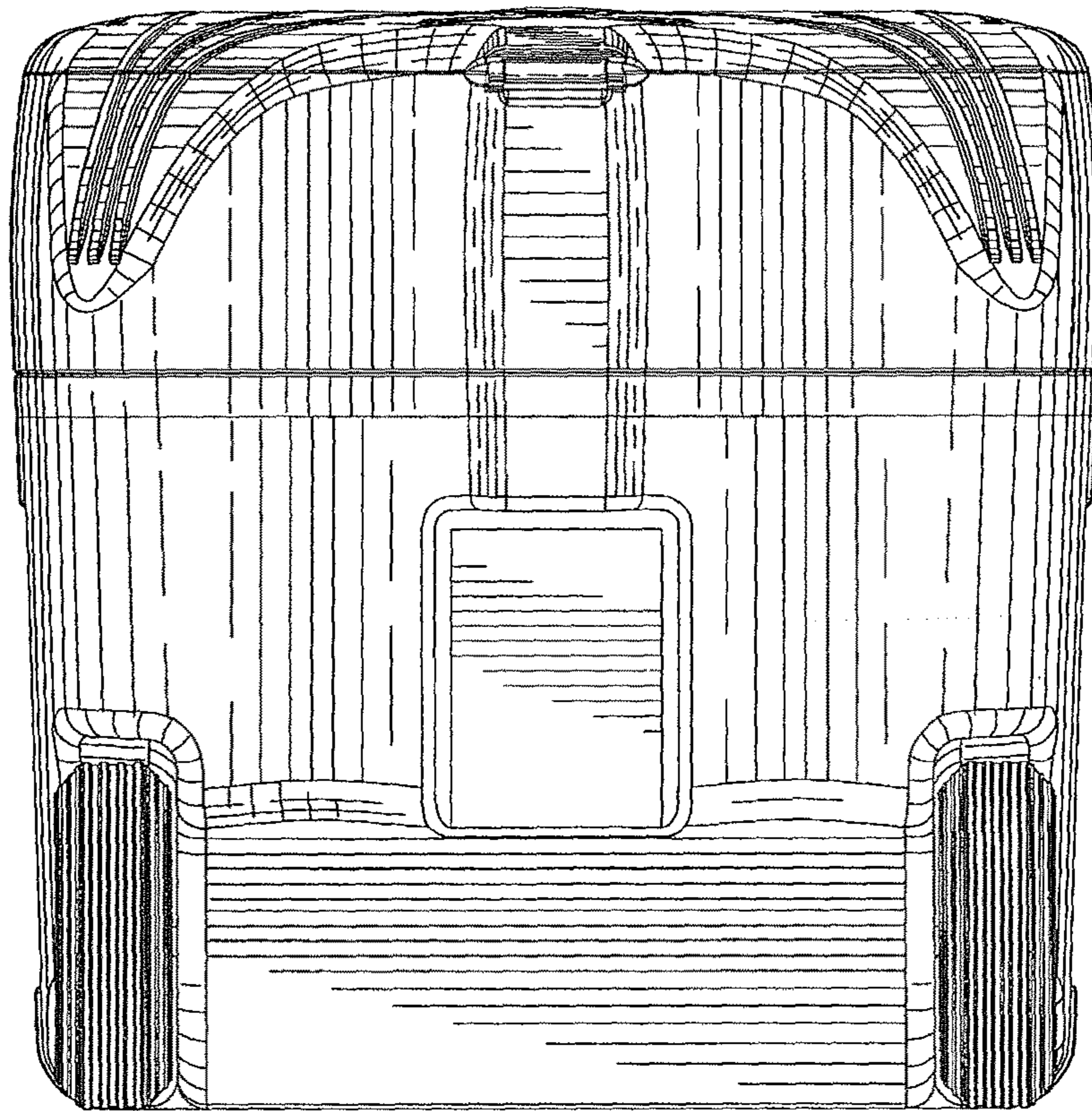


FIG.4

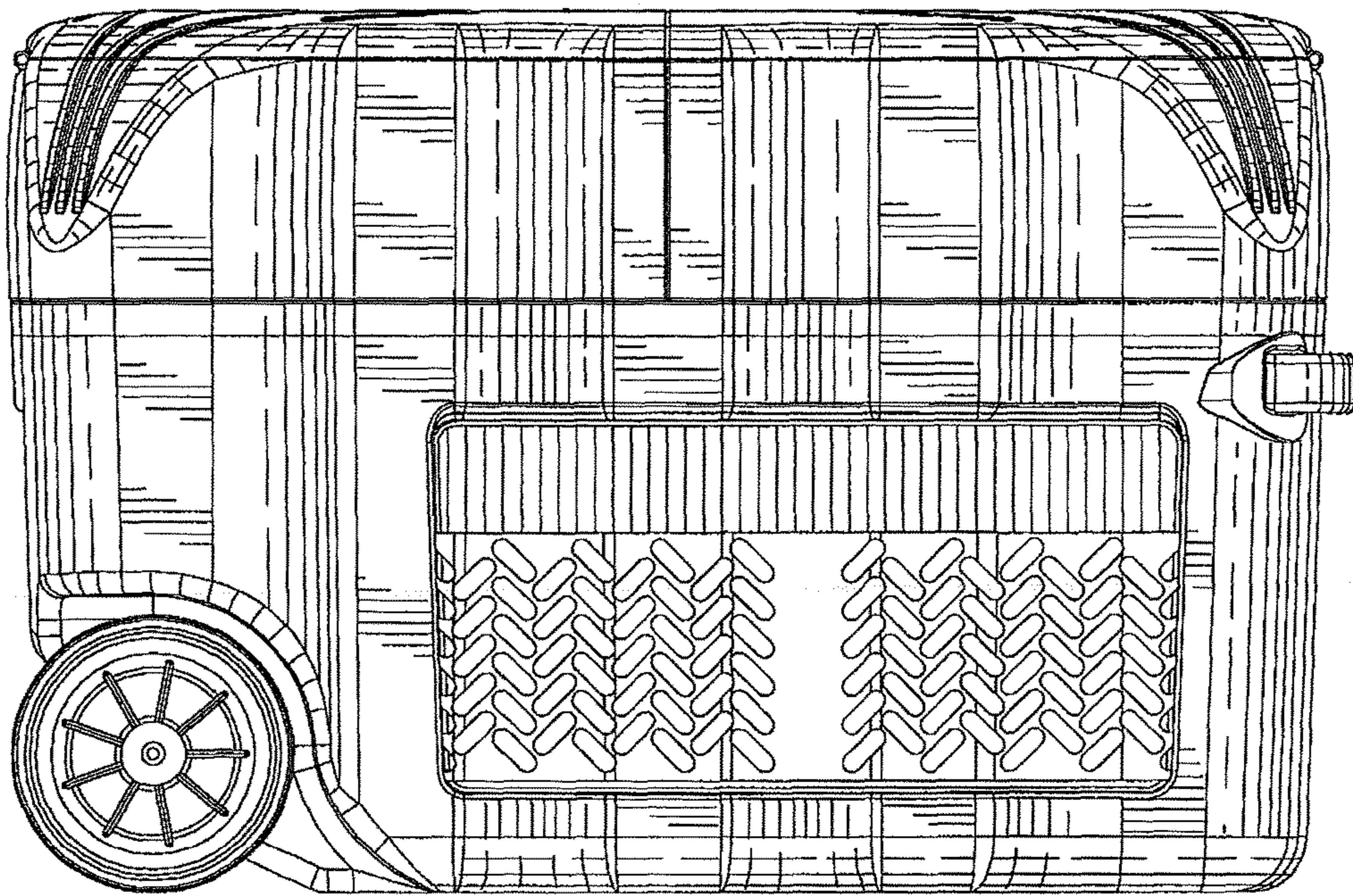


FIG.5



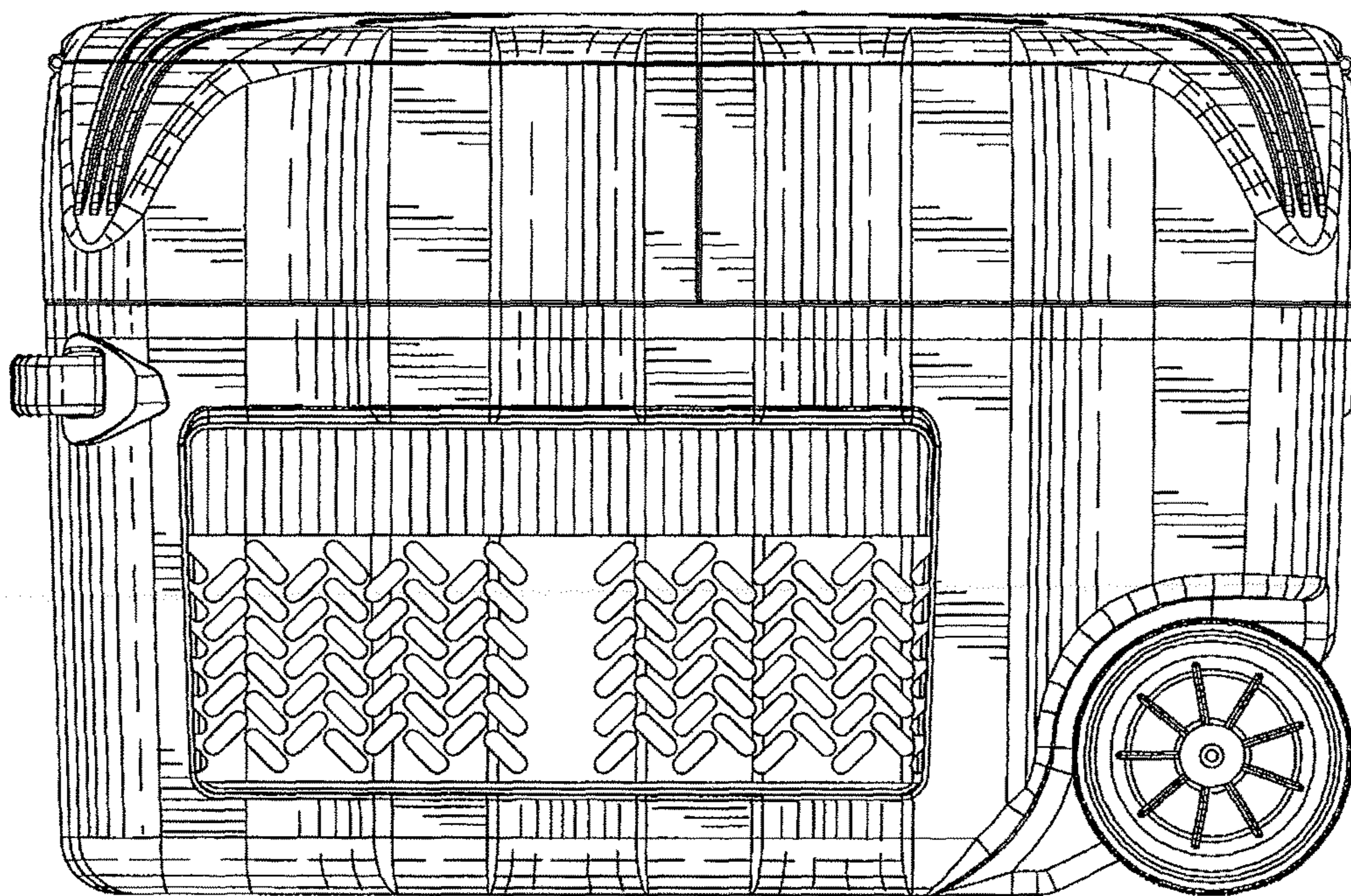


FIG. 6



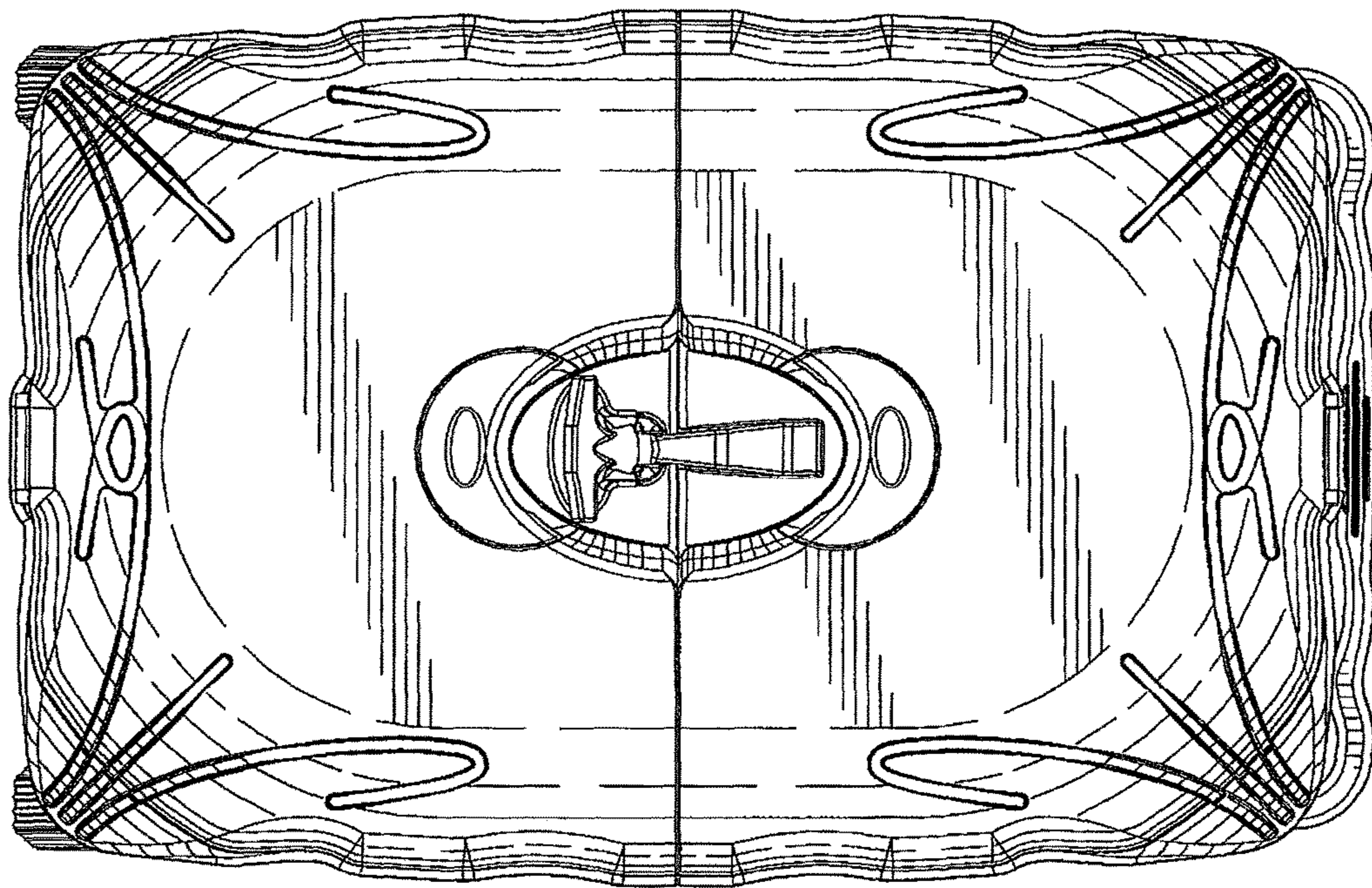


FIG.7

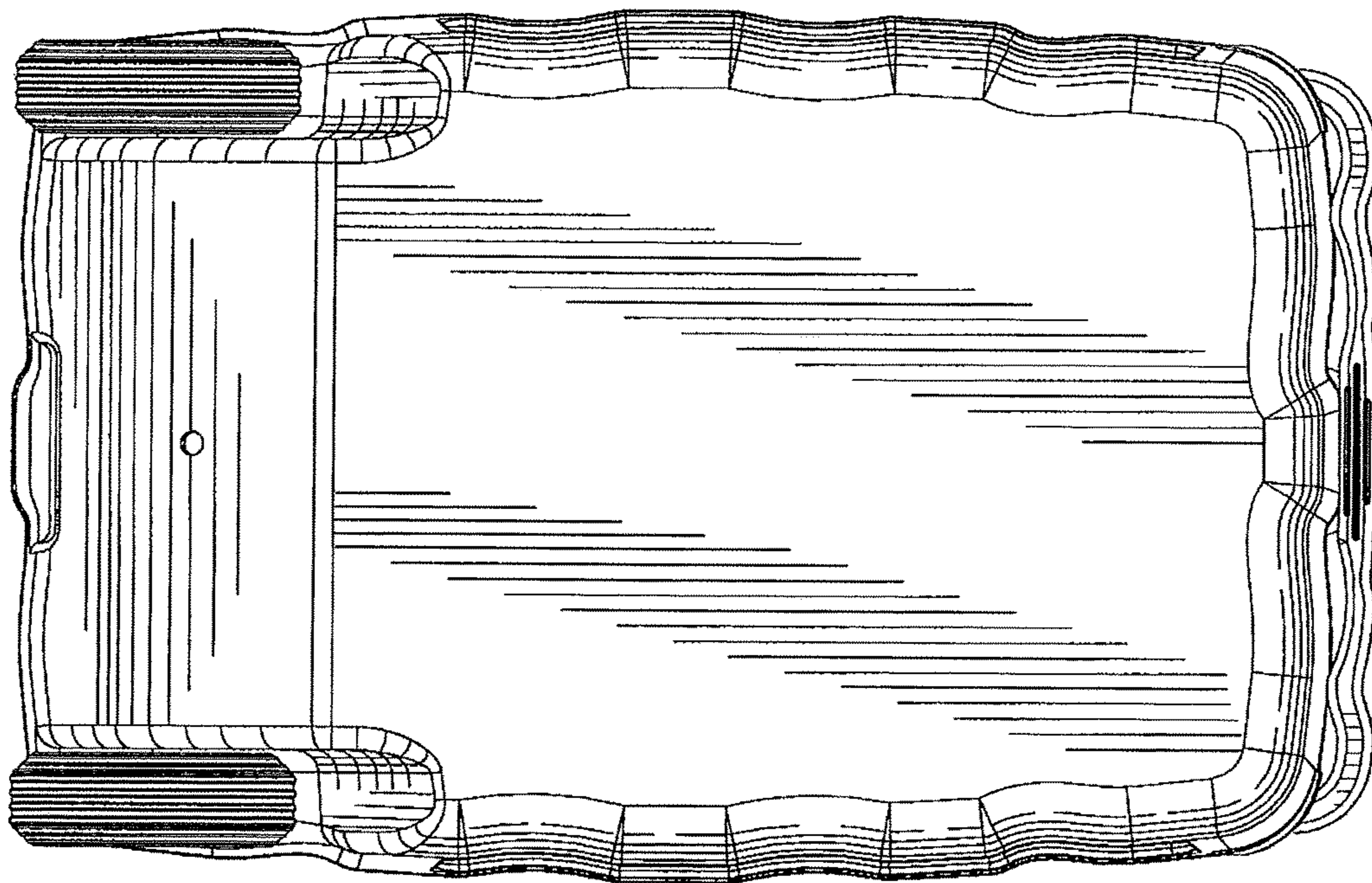


FIG.8



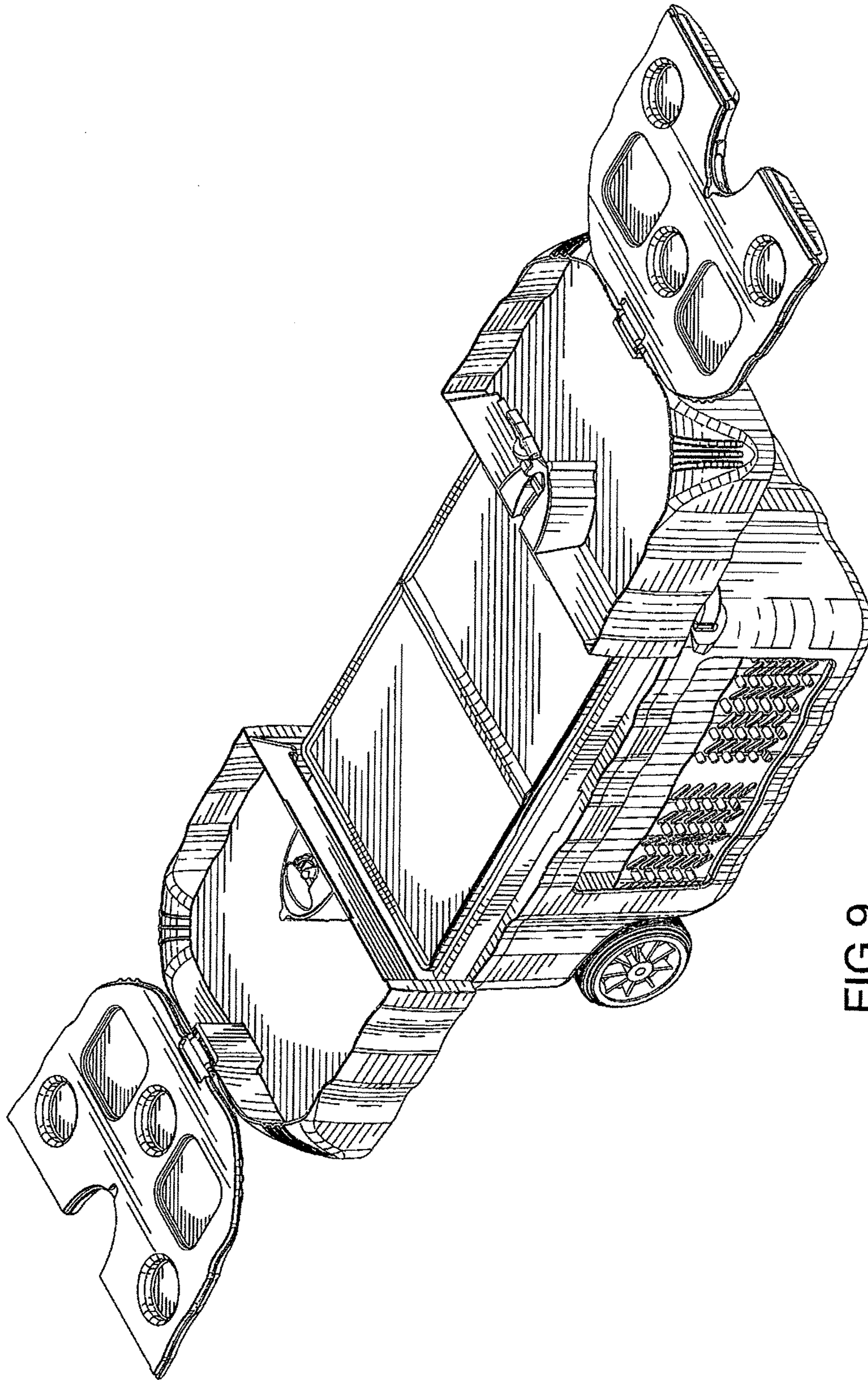


FIG. 9



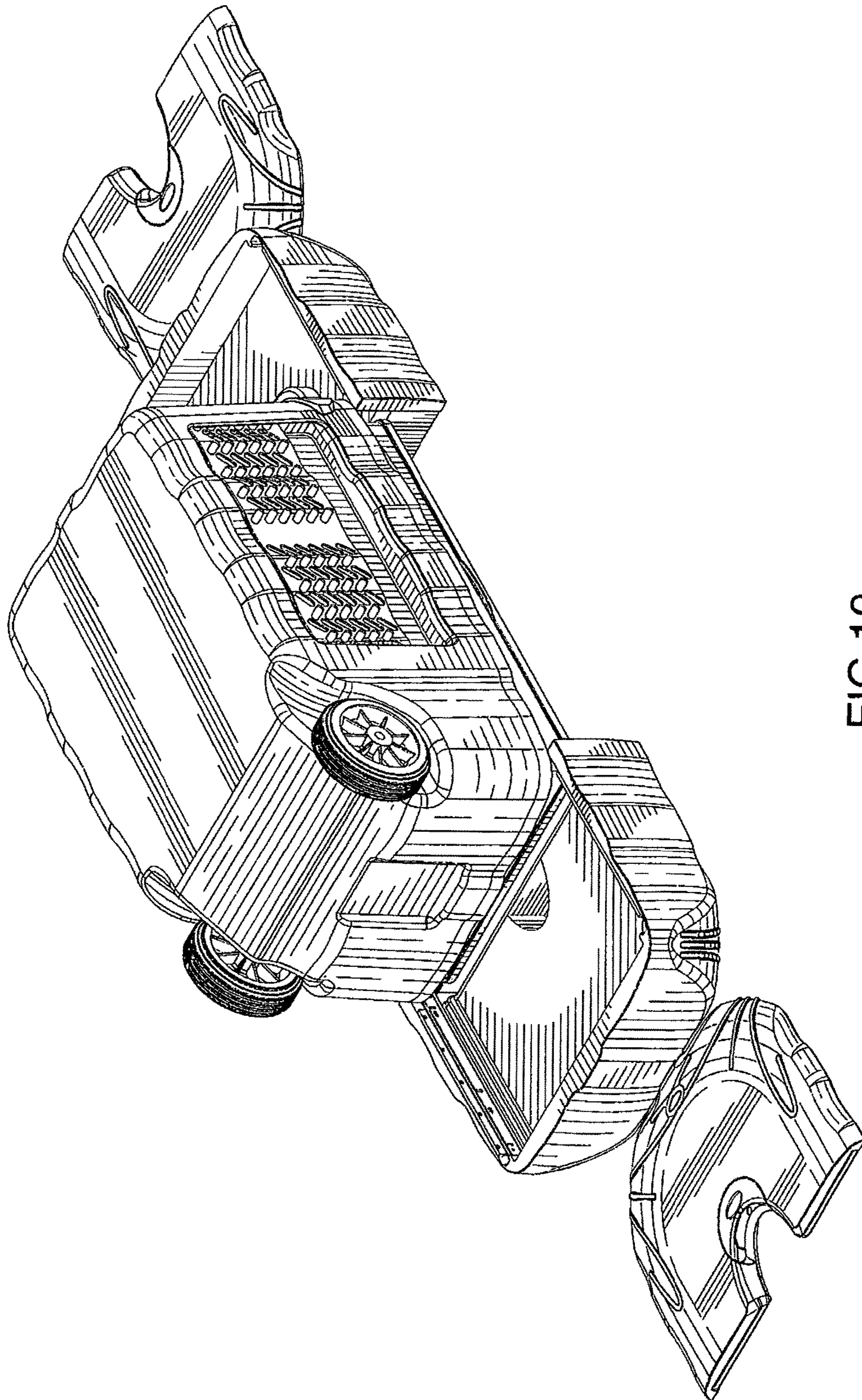


FIG.10



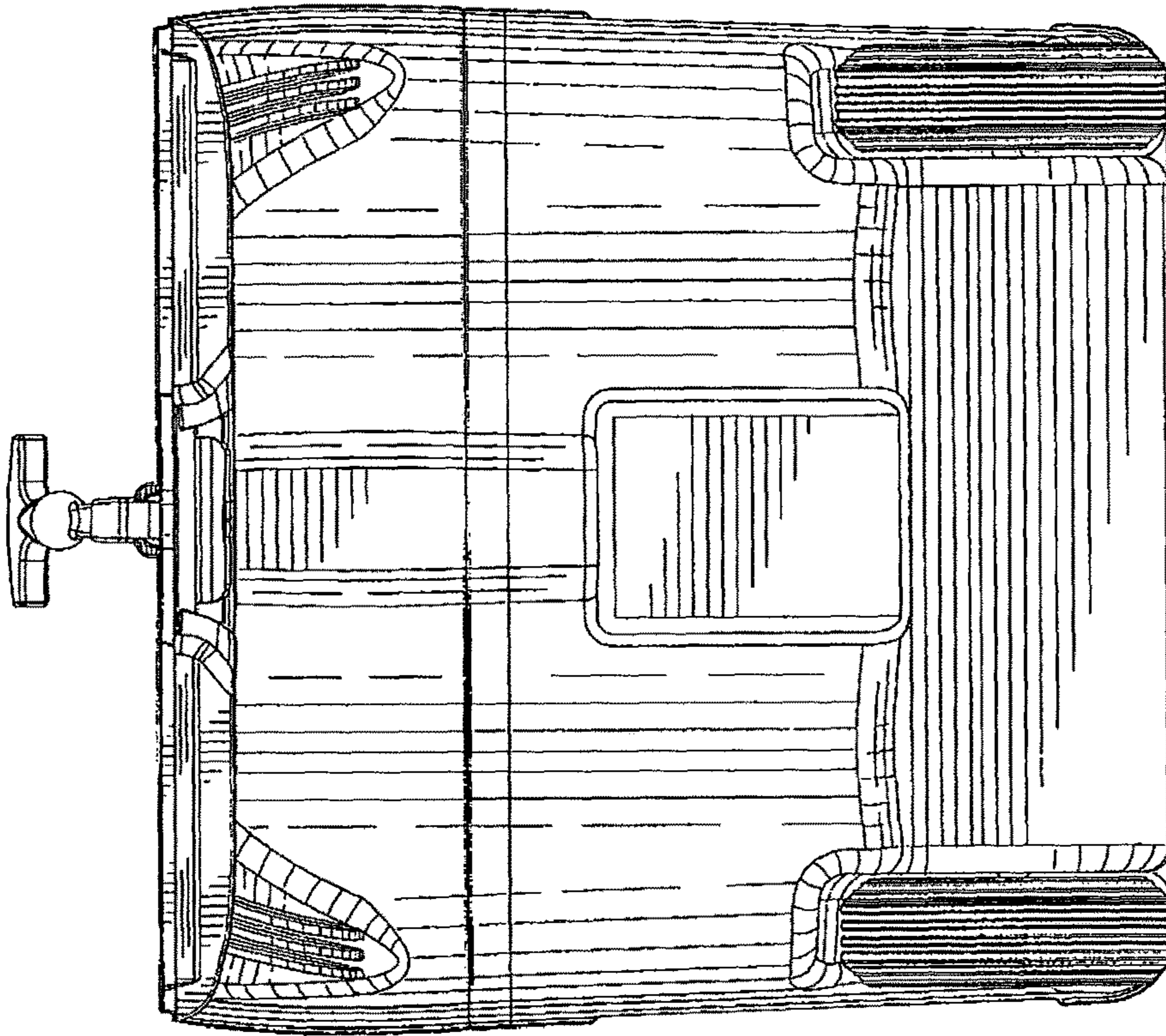


FIG.12

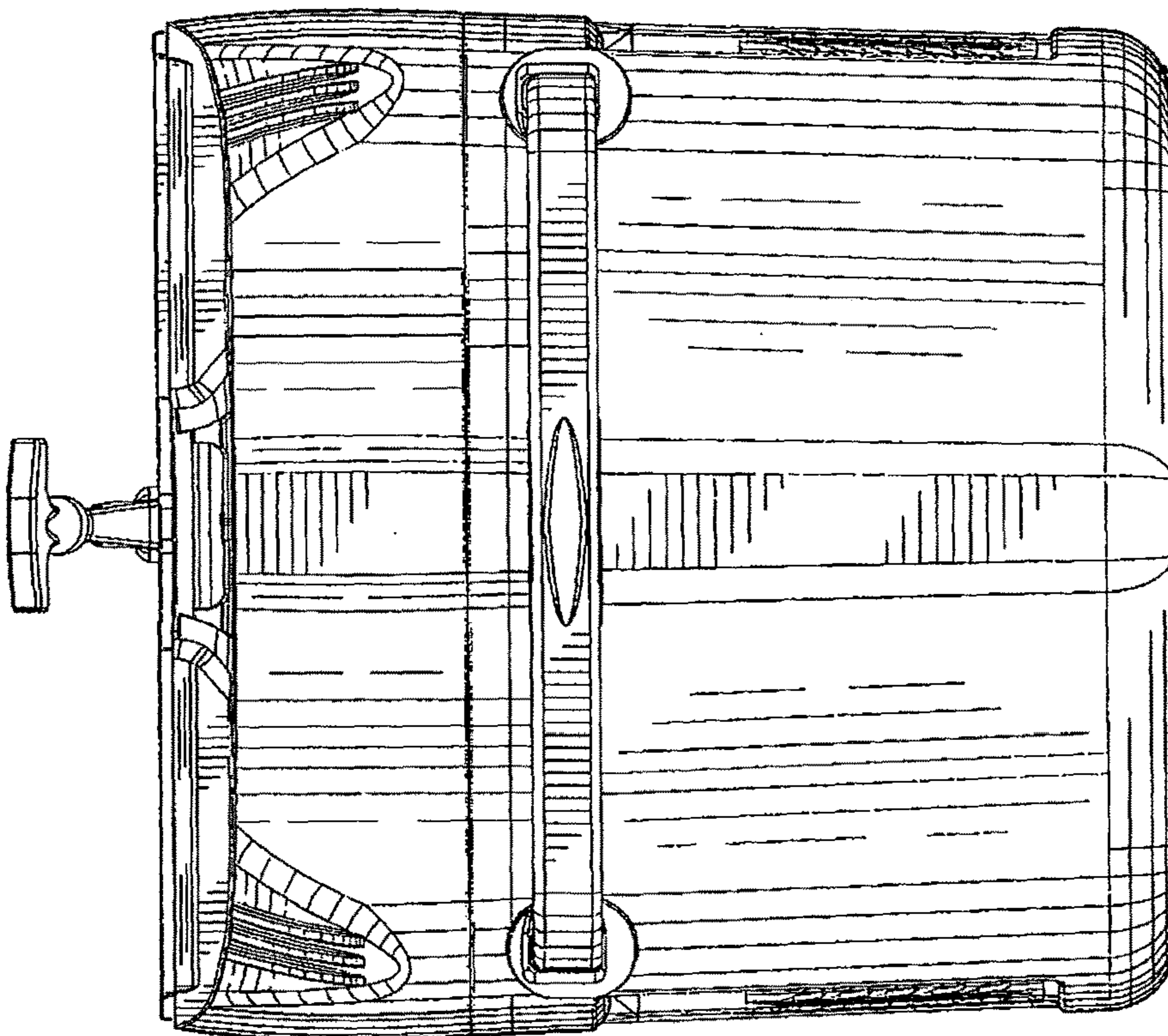


FIG.11

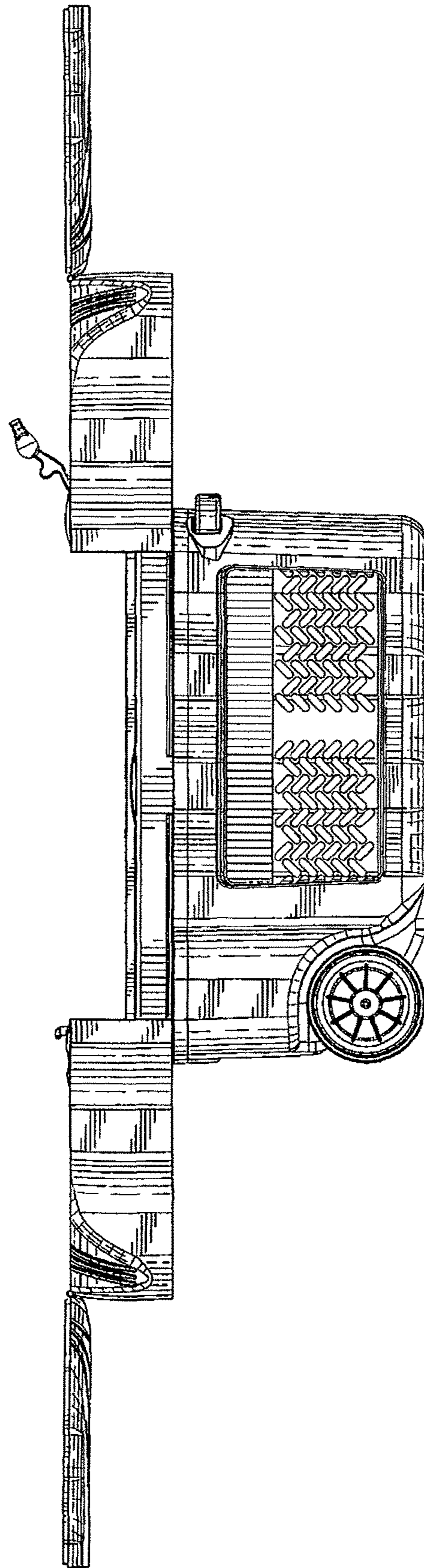


FIG.13



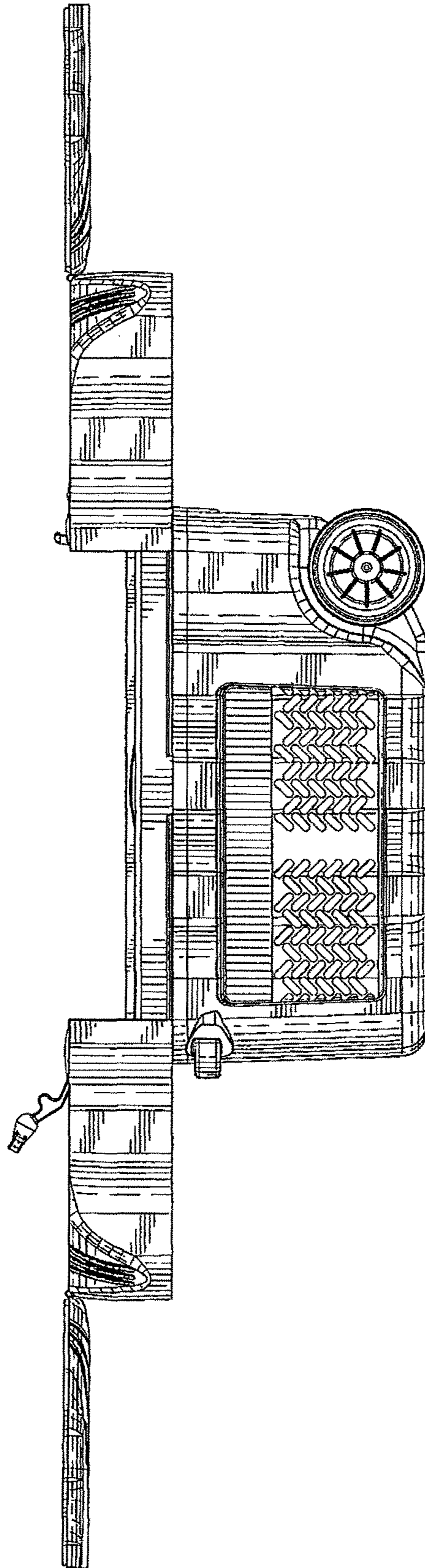


FIG.14

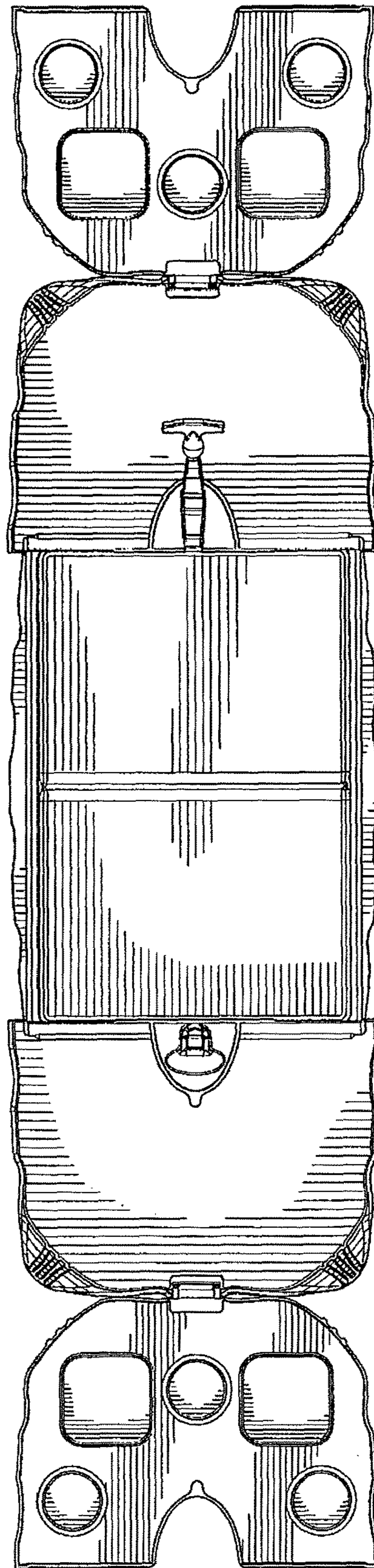


FIG.15



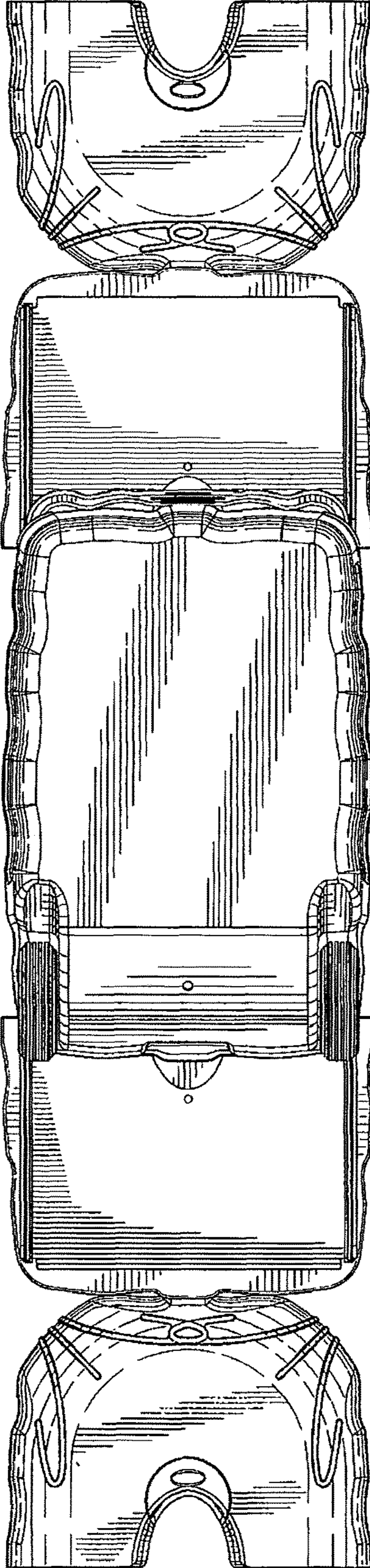


FIG.16