



US00D818776S

(12) **United States Design Patent**
Morgan

(10) **Patent No.:** **US D818,776 S**

(45) **Date of Patent:** **** May 29, 2018**

(54) **CONDIMENT BASKET**

(71) Applicant: **Thomas E. Morgan**, Wisconsin Dells,
WI (US)

(72) Inventor: **Thomas E. Morgan**, Wisconsin Dells,
WI (US)

(**) Term: **15 Years**

(21) Appl. No.: **29/564,738**

(22) Filed: **May 16, 2016**

(51) **LOC (11) Cl.** **07-99**

(52) **U.S. Cl.**
USPC **D7/600.1**

(58) **Field of Classification Search**
USPC D7/600.4, 600.1, 609, 354, 360, 361,
D7/601, 602, 500, 504, 543, 545, 552.1,
D7/555, 566, 561, 560, 562, 584, 586,
D7/587, 704; D3/304, 306; D19/102,
D19/75; D32/56, 55, 58
CPC ... B65D 7/20; B65D 7/26; B65D 7/14; B65D
85/22; B65D 25/32; A47G 23/04
See application file for complete search history.

(56) **References Cited**

U.S. PATENT DOCUMENTS

- 313,129 A * 3/1885 Tipney B65D 7/20
220/486
- 1,283,389 A * 10/1918 Wills et al. B65D 7/26
211/74
- 1,559,695 A * 11/1925 Hatch B65D 71/0003
206/202
- 1,947,933 A * 2/1934 Fante A23G 9/288
141/246
- D97,654 S * 11/1935 Watral D32/55
- 2,123,837 A * 7/1938 Thomas B65D 7/20
206/446
- 2,163,865 A * 6/1939 Bitney A47L 19/04
211/181.1
- D129,380 S * 9/1941 Heuler D3/306

- D158,567 S * 5/1950 Engstrom D3/306
- D166,510 S * 4/1952 Watral D32/55
- 2,646,186 A * 7/1953 Russell B65D 21/0211
206/510
- 2,655,267 A * 10/1953 Planeta A47L 19/04
211/41.4
- 2,662,662 A * 12/1953 Moorhead B65D 21/0211
206/510
- 2,697,540 A * 12/1954 Malliaris B65D 7/20
206/202
- 2,708,037 A * 5/1955 Planeta A47L 19/04
211/41.4
- D180,078 S * 4/1957 Glezen D3/306
- 2,896,815 A * 7/1959 Longan A47J 47/16
206/202
- D187,430 S * 3/1960 Christoffersen D32/55
- 3,047,329 A * 7/1962 Gunderson, Jr. B65D 7/40
232/43.1
- D194,056 S * 11/1962 Chapman D32/55

(Continued)

Primary Examiner — Shannon W Morgan
(74) *Attorney, Agent, or Firm* — Craig A. Fieschko, Esq;
Dewitt Ross & Stevens S.C.

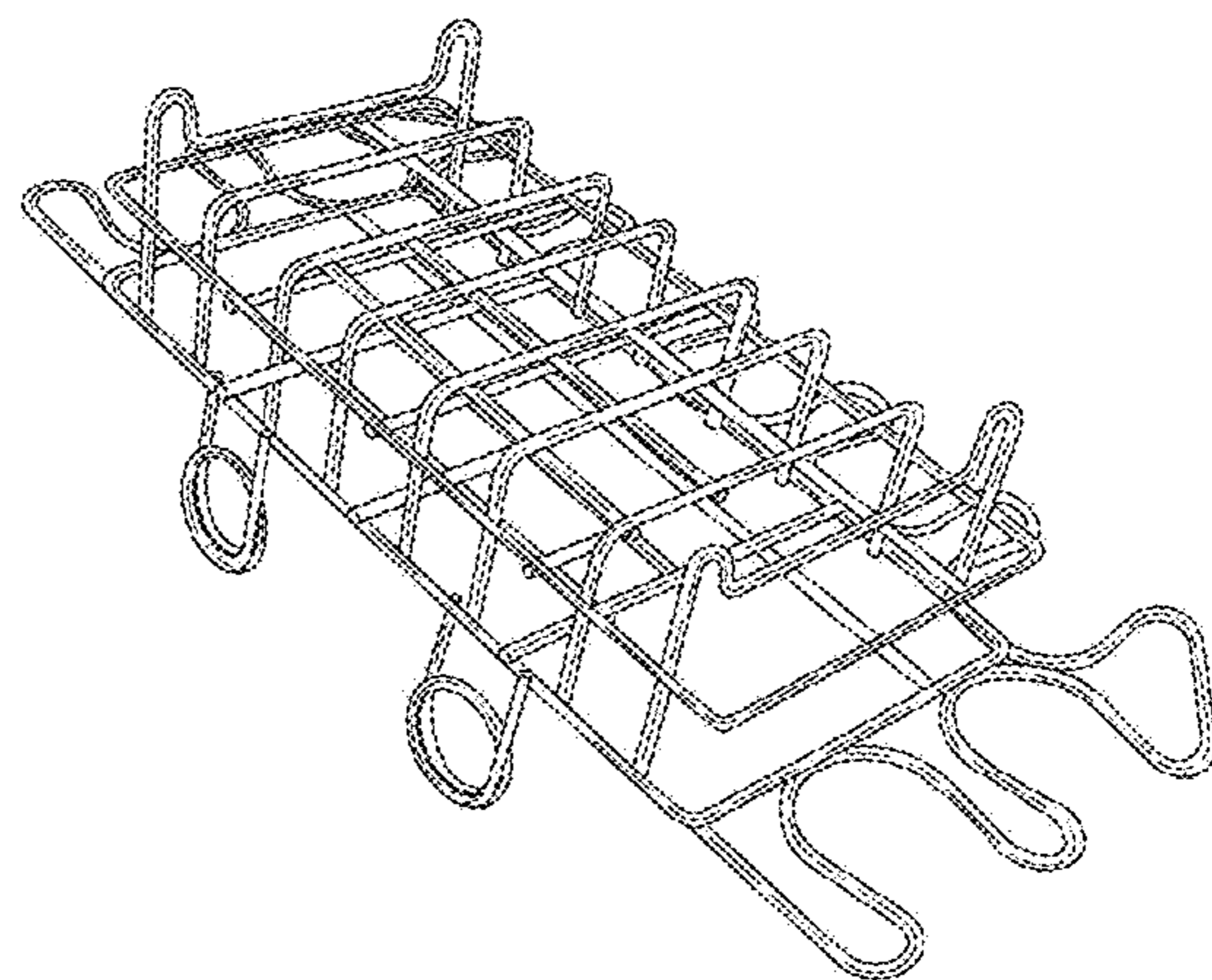
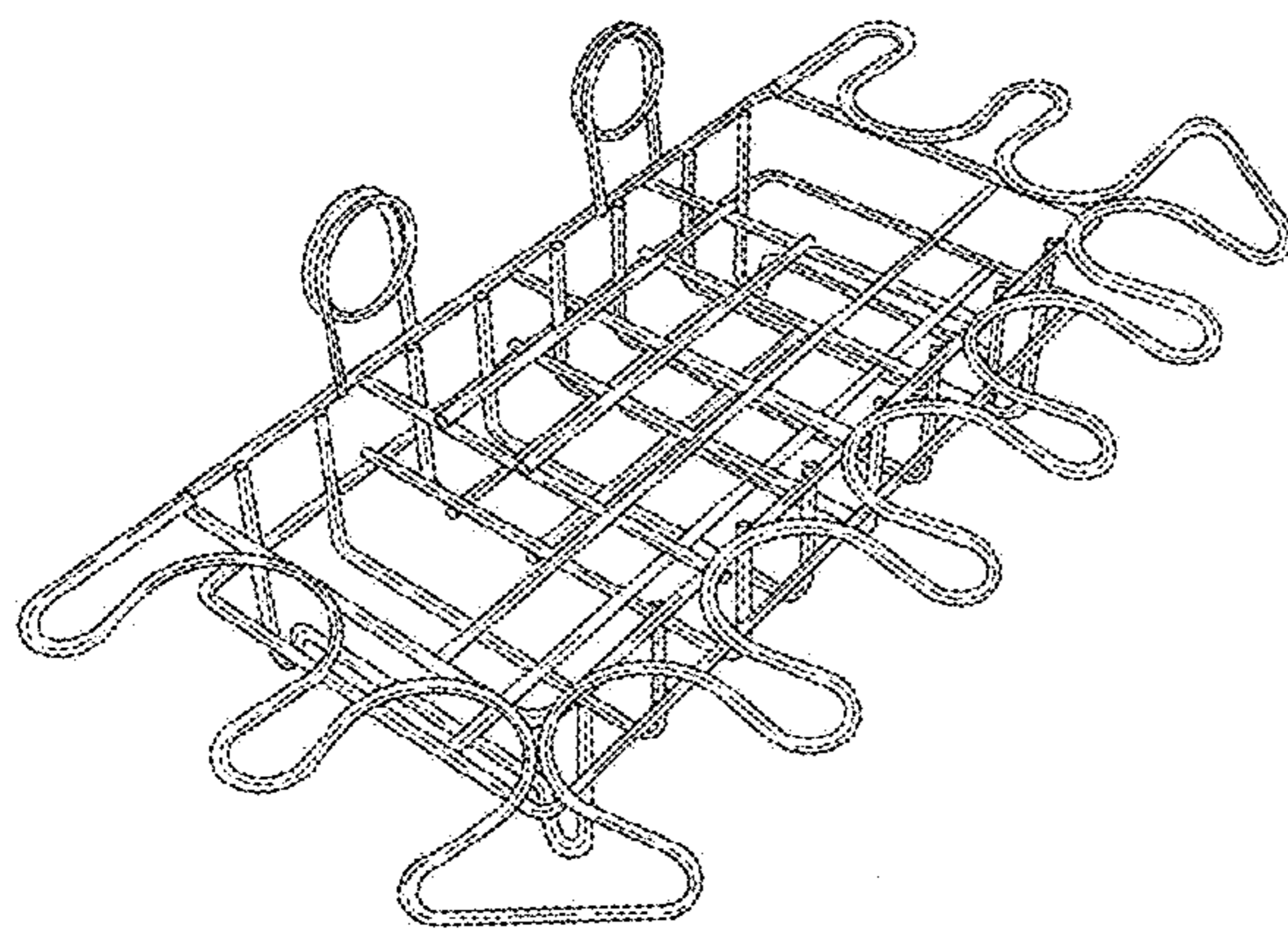
(57) **CLAIM**

I claim the ornamental design for a condiment basket, as shown.

DESCRIPTION

FIG. 1 is a top perspective view of a condiment basket showing my design;
FIG. 2 is a bottom perspective view thereof;
FIG. 3 is a front elevational view thereof;
FIG. 4 is a rear elevational view thereof.
FIG. 5 is a right side elevational view thereof;
FIG. 6 is a left side elevational view thereof;
FIG. 7 is a top plan view thereof; and,
FIG. 8 is a bottom plan view thereof.

1 Claim, 8 Drawing Sheets



(56)

References Cited

U.S. PATENT DOCUMENTS

3,169,641	A *	2/1965	Chapman	A47L 19/04 211/41.4
3,214,031	A *	10/1965	McCauley	A47B 81/007 211/181.1
4,254,944	A *	3/1981	von Matern	B21F 27/12 228/184
4,331,270	A *	5/1982	Humlong	B62J 9/00 224/419
D264,761	S *	6/1982	Dekarski	D3/306
D268,878	S *	5/1983	Taylor	D32/55
D296,601	S *	7/1988	Chap	D3/306
D306,926	S *	3/1990	Heller	D32/55
D348,760	S *	7/1994	Linder	D3/306
D353,922	S *	12/1994	Drake	D32/55
D514,890	S	2/2006	Morgan	
D538,496	S *	3/2007	Plikuhn	D32/55
D583,563	S *	12/2008	Snider	D3/304
7,520,397	B1 *	4/2009	Segale	A47B 81/04 211/106
D612,648	S *	3/2010	Guindi	D6/525
7,828,160	B2 *	11/2010	Lin	A47B 47/021 211/181.1
D648,174	S *	11/2011	Lu	D7/354
D650,175	S *	12/2011	Lee	D3/306
D720,575	S *	1/2015	Goodman	D7/600

* cited by examiner

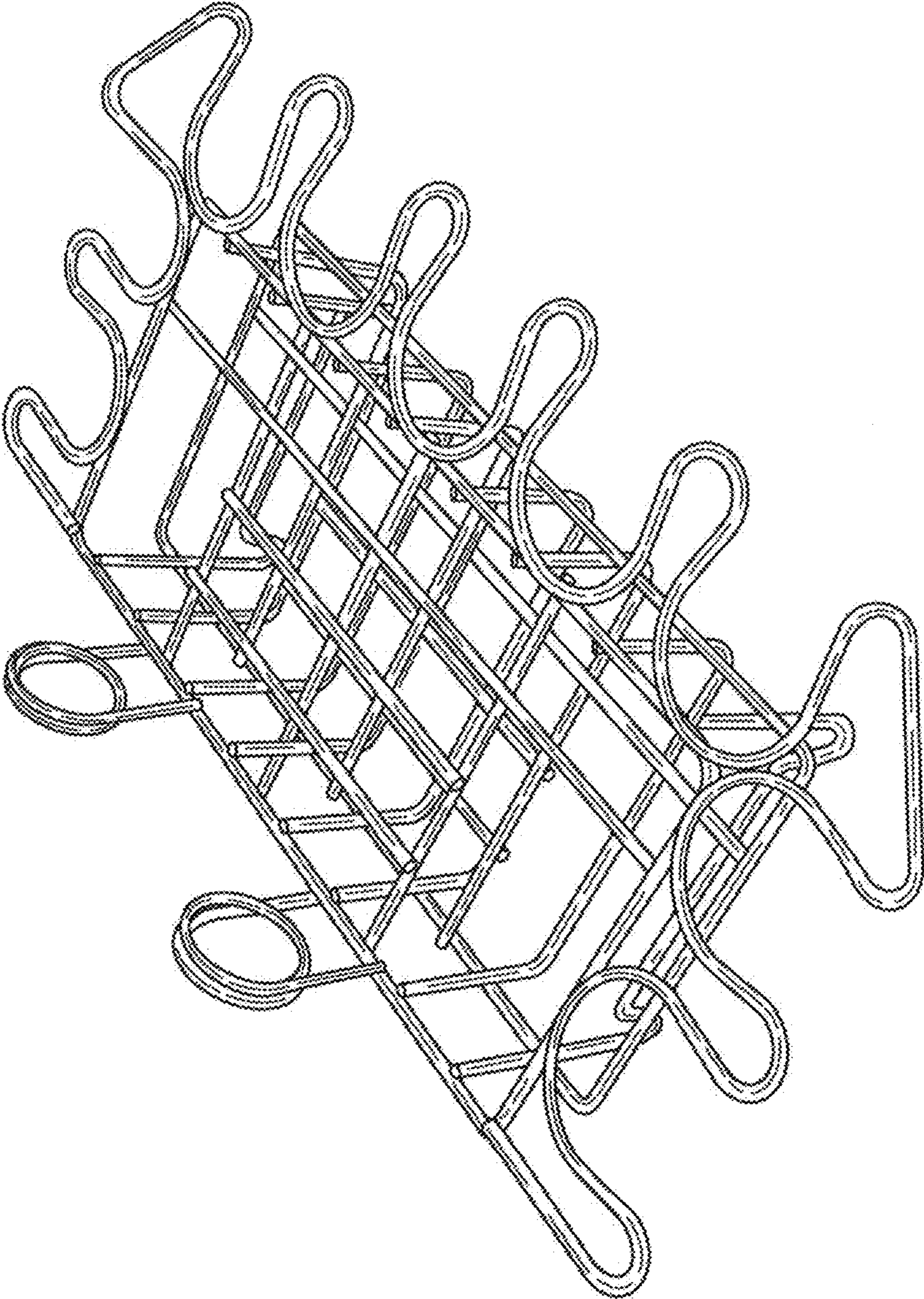


FIG. 1

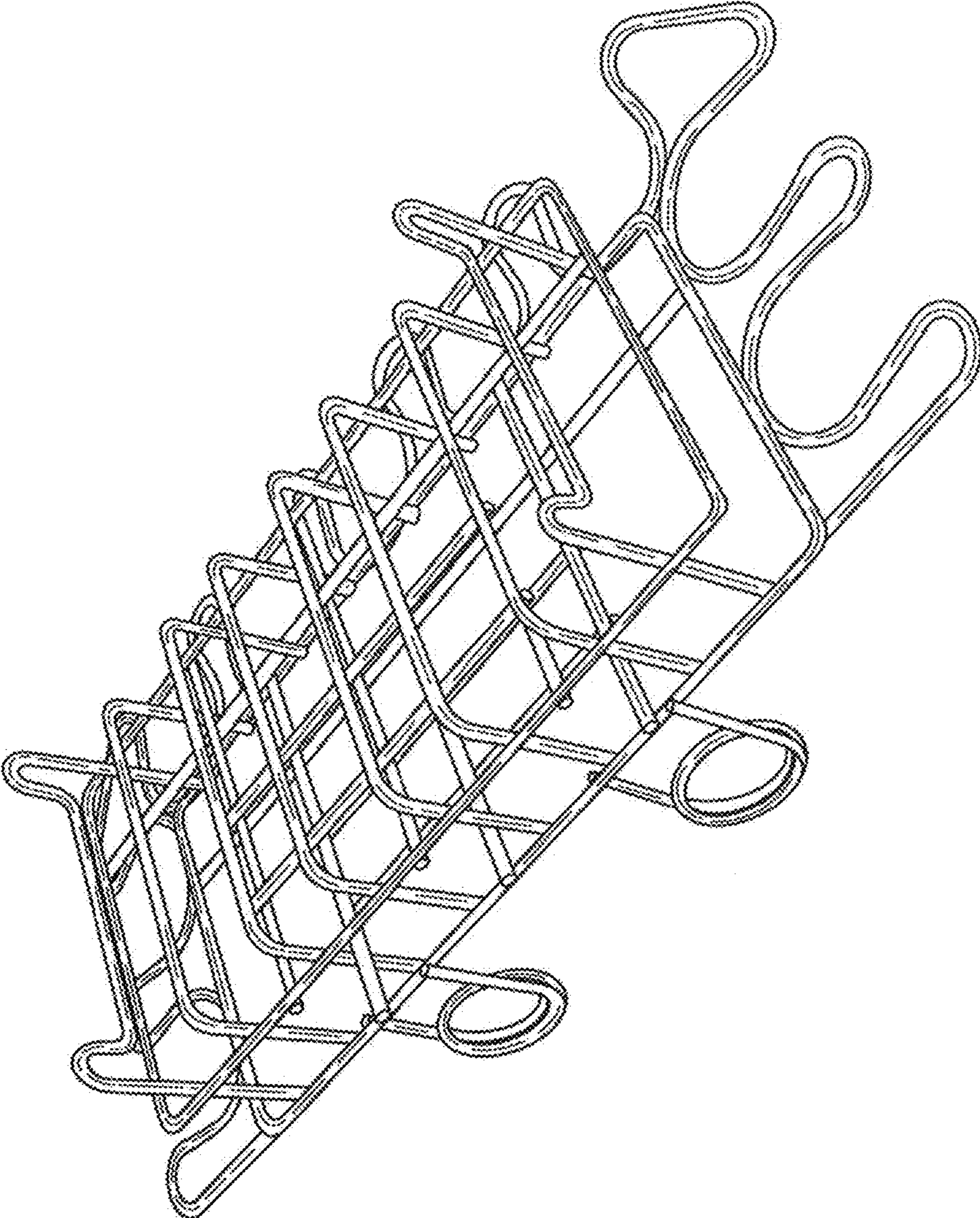


FIG. 2

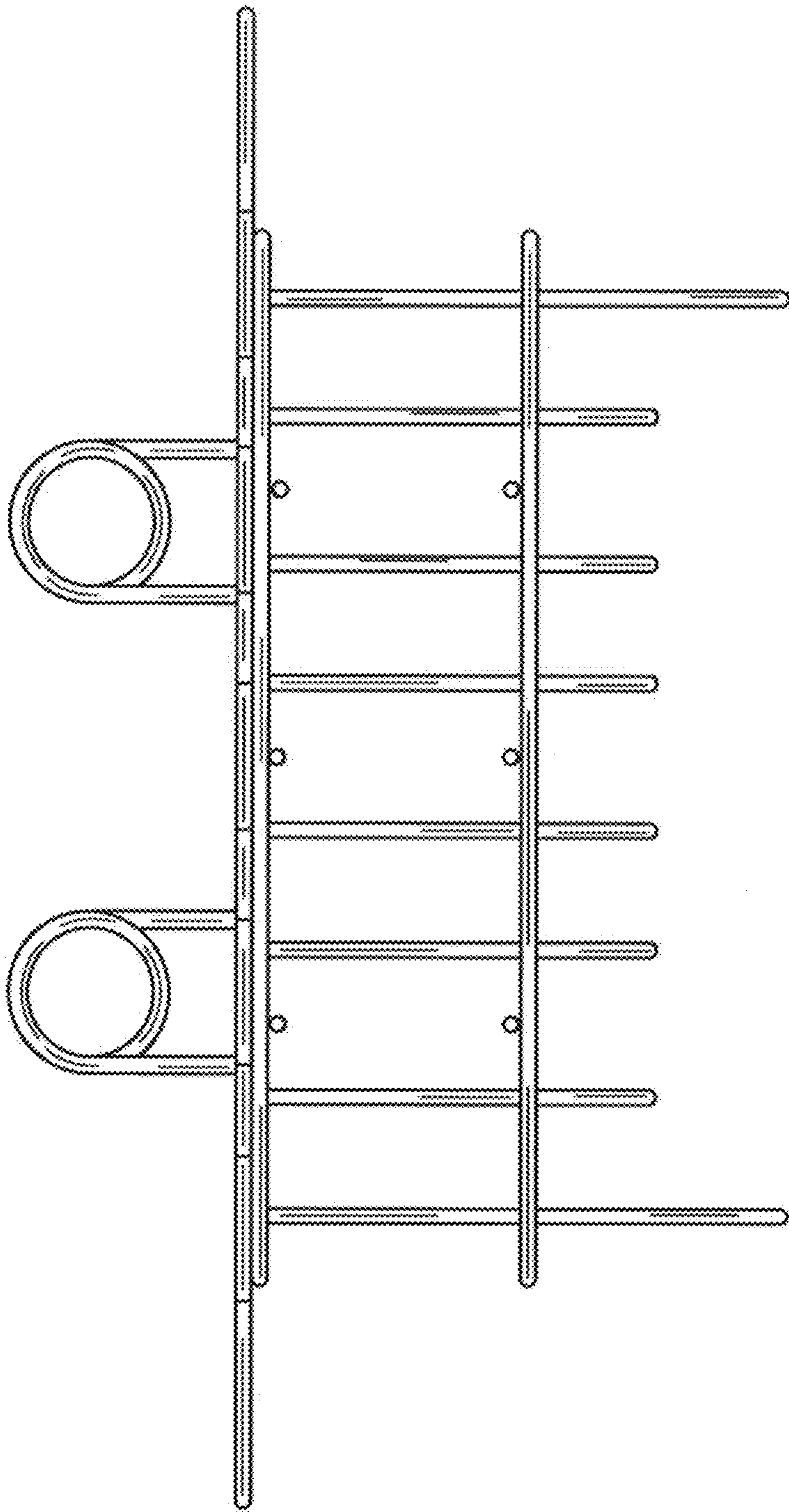


FIG. 3

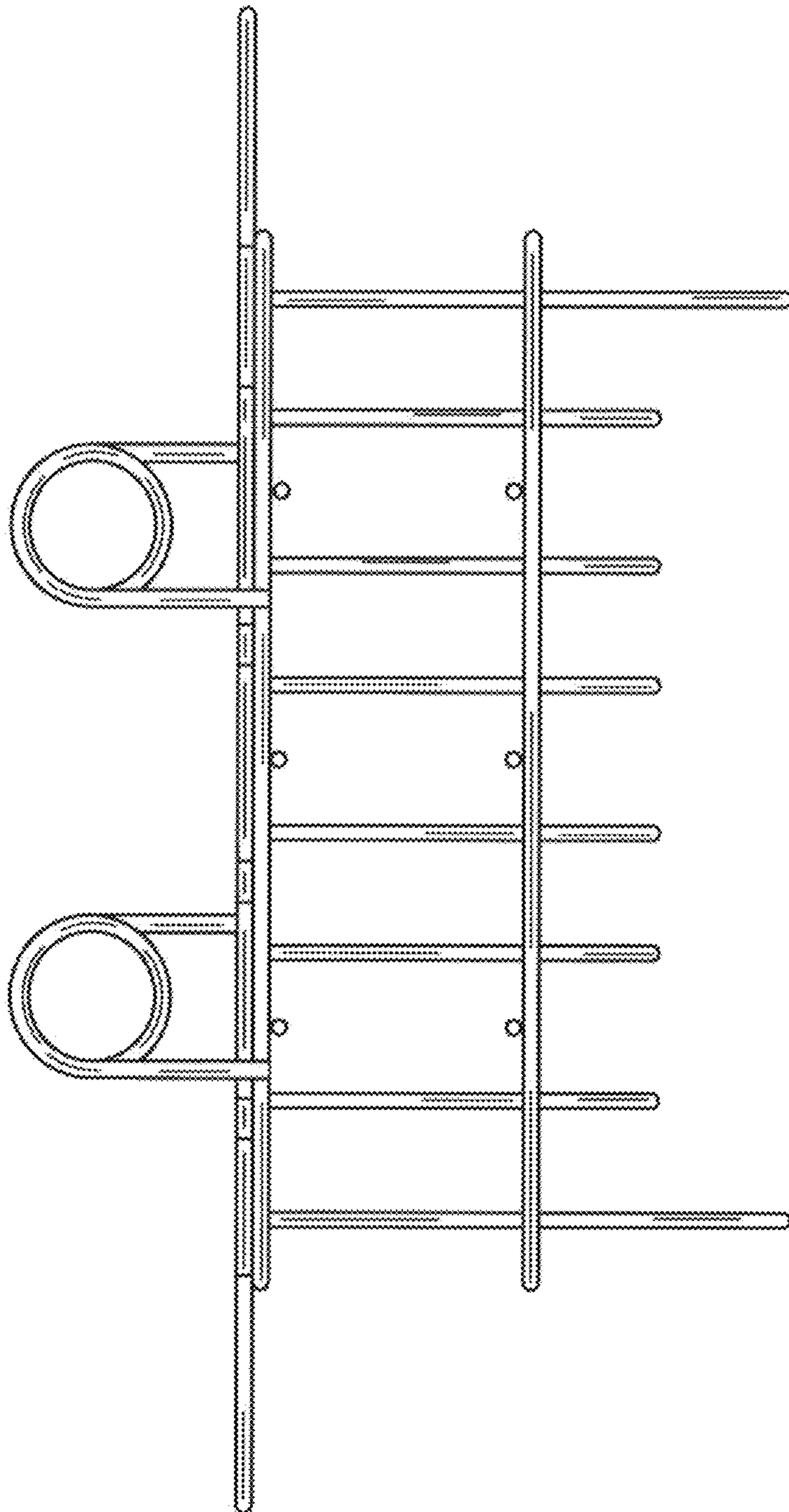


FIG. 4

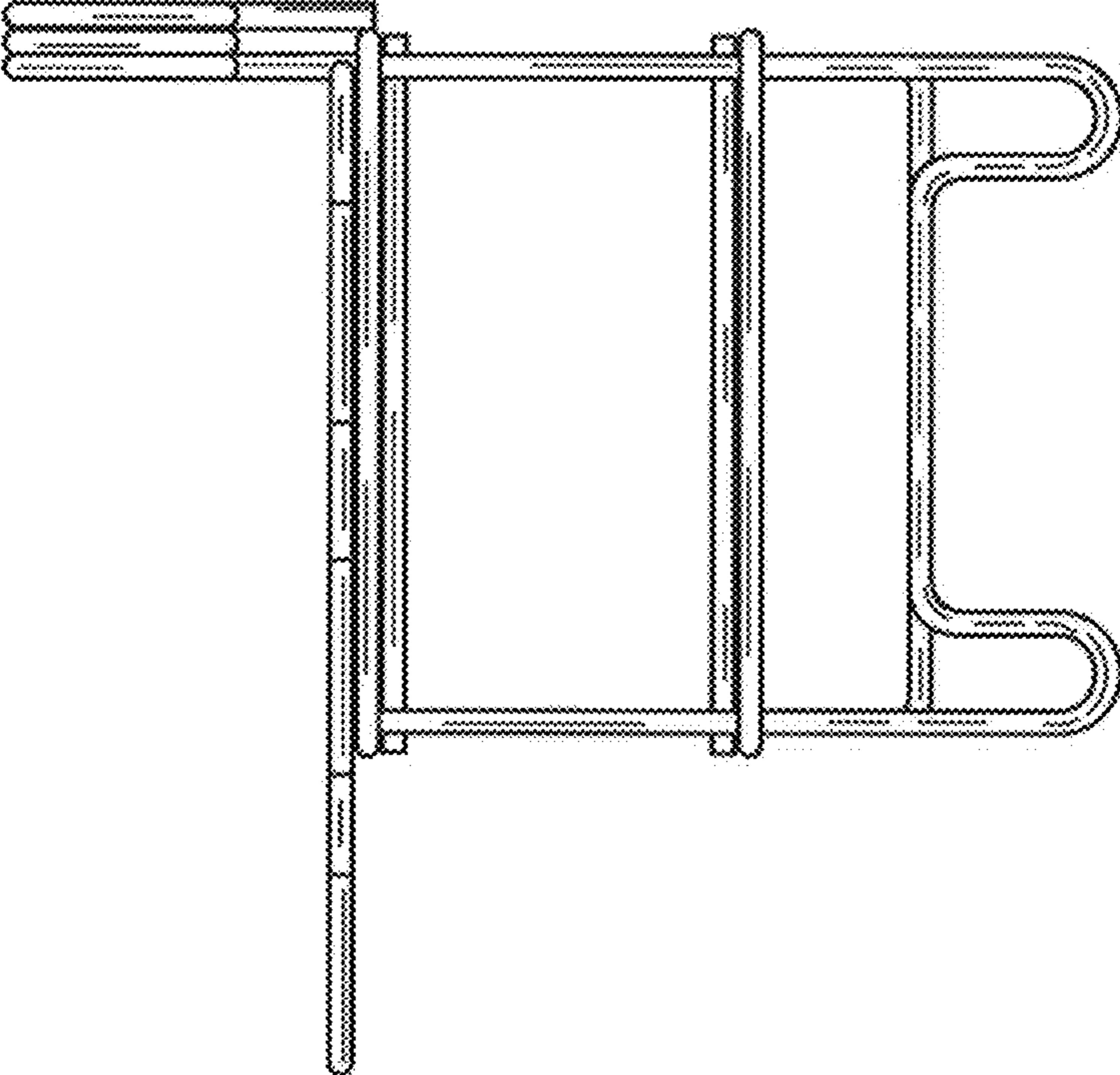


FIG. 5

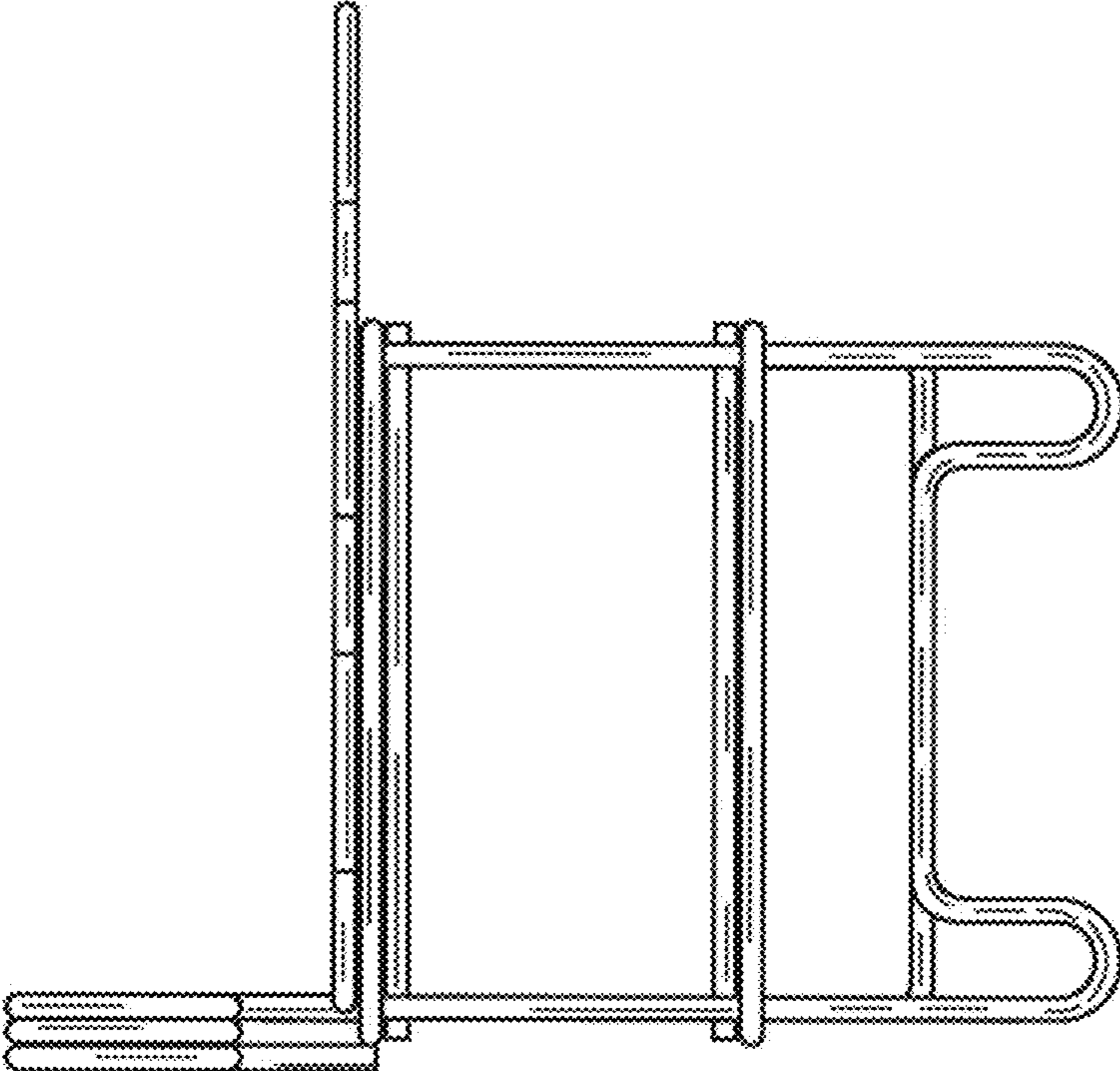


FIG. 6

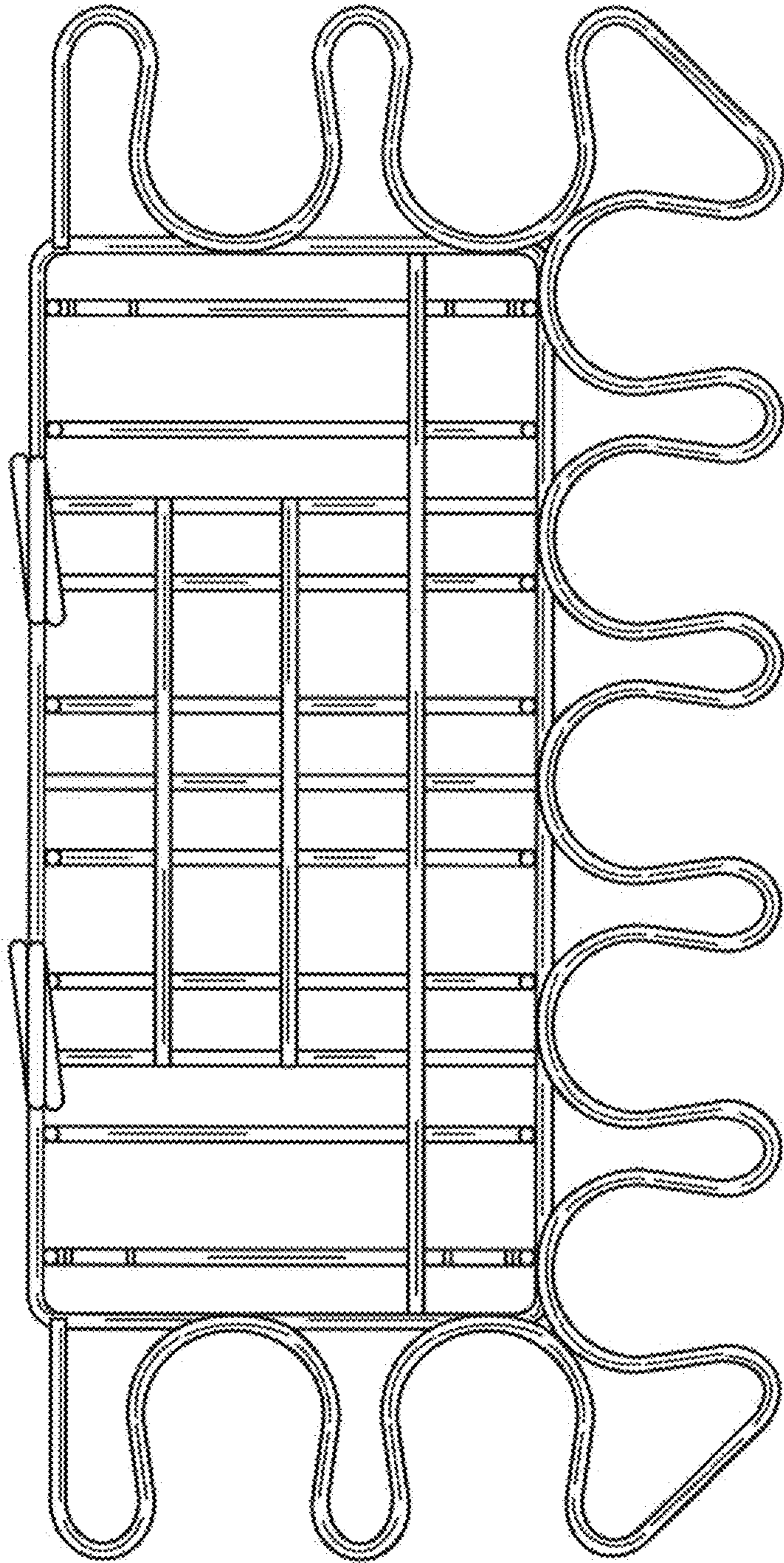


FIG. 7

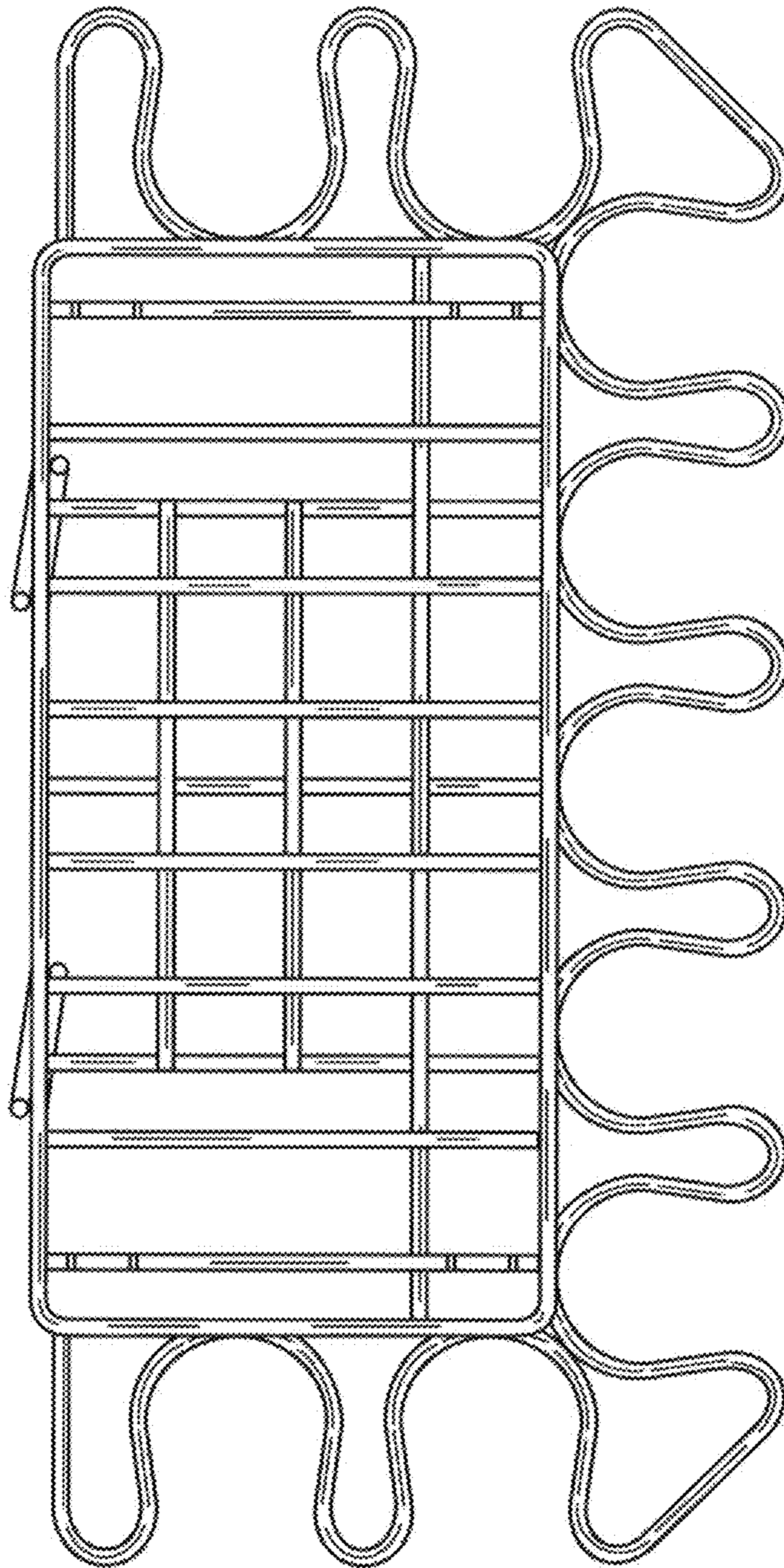


FIG. 8