



US00D818775S

(12) **United States Design Patent**
Woodruff

(10) **Patent No.:** **US D818,775 S**
(45) **Date of Patent:** **** May 29, 2018**

(54) **BOTTLE**

(71) Applicant: **Jeremy Lynn Woodruff**, Fairmont, OK (US)

(72) Inventor: **Jeremy Lynn Woodruff**, Fairmont, OK (US)

(73) Assignee: **Jeremy Lynn Woodruff**, Fairmont, OK (US)

(**) Term: **15 Years**

(21) Appl. No.: **29/601,176**

(22) Filed: **Apr. 19, 2017**

(51) **LOC (11) Cl.** **07-01**

(52) **U.S. Cl.**
USPC **D7/510; D7/536; D7/523; D9/503**

(58) **Field of Classification Search**
USPC **D7/507, 509, 510, 511, 523, 532, 527, D7/531, 392.1, 396.2, 397, 398, 514, 515, D7/536; D9/500, 651, 501, 504, 503, D9/505, 569, 532; 220/592.16, 592.17; 215/381; D8/34**

CPC **A47G 19/22; A47G 19/2205; A47G 19/2266; A47J 41/02; B65D 47/066**
See application file for complete search history.

(56) **References Cited**

U.S. PATENT DOCUMENTS

D109,331 S	4/1938	McManus et al.
D154,378 S	7/1949	Fuller
D177,761 S	5/1956	Reinhardt
2,963,187 A	12/1960	Bramming
3,089,603 A	5/1963	Leslie-Smith
D224,646 S	8/1972	Vollquartz
D235,303 S	6/1975	Boucher
D256,651 S	9/1980	Leung et al.
D279,346 S	6/1985	Ruxton

D281,567 S	12/1985	Zimmermann
D286,604 S	11/1986	Bierlein et al.
D286,847 S	11/1986	Zimmermann
D287,211 S	12/1986	Weiss
D321,628 S	11/1991	Kobayashi
D332,379 S	1/1993	Murphy
D354,915 S	1/1995	Schneider et al.
D368,224 S	3/1996	Arndt
D398,193 S	9/1998	Sanchez
D405,650 S	2/1999	Meier
D415,395 S	10/1999	Hunt et al.
D422,916 S	4/2000	Herrmann
6,332,557 B1	12/2001	Moran
D456,669 S	5/2002	Munari
D458,133 S	6/2002	Berish et al.
D458,134 S	6/2002	Berish et al.
D466,814 S	12/2002	Hurlburt
D479,800 S	9/2003	McRae
D482,607 S	11/2003	McRae
D494,425 S	8/2004	Segura
D524,909 S	7/2006	Bakke et al.
D525,118 S *	7/2006	Mentasti D9/415

(Continued)

FOREIGN PATENT DOCUMENTS

KR 300751936.0000 7/2014

Primary Examiner — Marianne Pandozzi

Assistant Examiner — Jae Liang

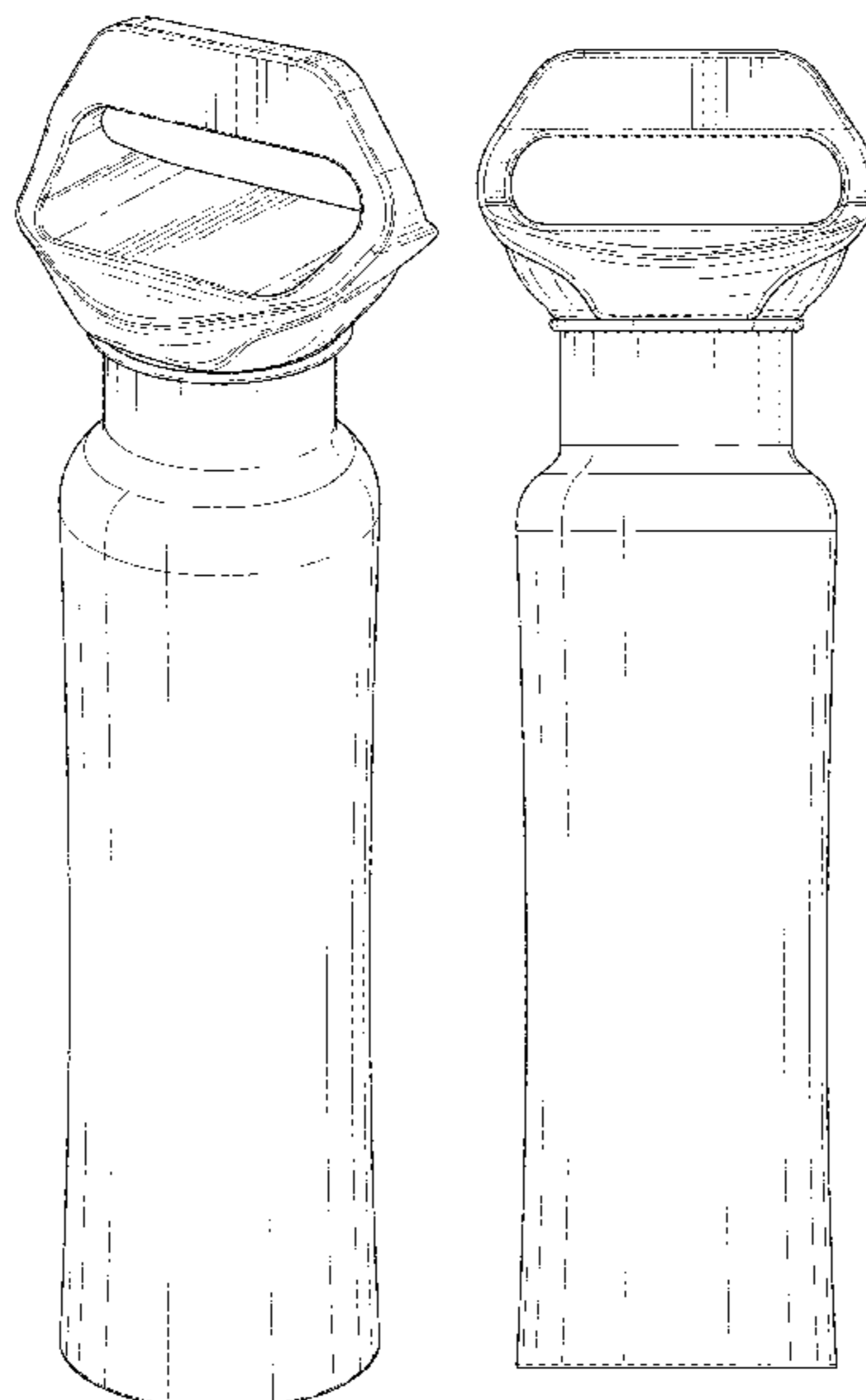
(57) **CLAIM**

The ornamental design for a bottle, as shown and described.

DESCRIPTION

FIG. 1 is a top, front, right perspective view of a bottle showing our new design;
FIG. 2 is a front view thereof; the rear view being a mirror image thereof;
FIG. 3 is a right side view thereof; the left side view being a mirror image thereof; and,
FIG. 4 is a top view thereof.

1 Claim, 4 Drawing Sheets



(56)

References Cited

U.S. PATENT DOCUMENTS

D525,518 S	7/2006	Baldwin	
D536,929 S	2/2007	Kingsley	
D548,082 S	8/2007	Kingsley	
D553,914 S	10/2007	Wahl	
D554,000 S	10/2007	Walsh	
D564,363 S	3/2008	Rhea	
D572,585 S	7/2008	Perrin et al.	
D584,623 S	1/2009	Chupak	
D587,533 S	3/2009	Carreno	
D601,436 S	10/2009	Stephens et al.	
D603,331 S	11/2009	Schupp	
D603,722 S	11/2009	Reimer	
D604,181 S	11/2009	Reimer	
D604,561 S	11/2009	Chisholm	
D605,040 S	12/2009	Fry et al.	
D605,060 S	12/2009	Reimer	
D611,346 S	3/2010	Camomile	
D612,235 S	3/2010	Cresswell et al.	
D614,918 S	5/2010	Chisholm	
D615,360 S	5/2010	Joy et al.	
D615,816 S	5/2010	Joy et al.	
D616,703 S	6/2010	Joy et al.	
D616,743 S	6/2010	Cresswell et al.	
D616,744 S	6/2010	Cresswell	
D619,457 S	7/2010	Walsh	
D619,458 S	7/2010	Walsh	
D619,459 S	7/2010	Walsh	
D620,798 S	8/2010	Cresswell et al.	
D621,257 S	8/2010	Gullickson et al.	
D621,258 S	8/2010	Gullickson et al.	
D621,709 S *	8/2010	Minakuchi	D9/503
D622,089 S	8/2010	Daniel et al.	
D622,145 S	8/2010	Walsh	
D623,475 S	9/2010	Aarnoudse et al.	
D625,560 S	10/2010	Olson	
D626,414 S	11/2010	Cresswell et al.	
D626,416 S	11/2010	Cresswell	
D627,601 S	11/2010	Eyal	
D627,602 S	11/2010	Eyal	
D627,604 S	11/2010	Eyal	
D628,486 S	12/2010	Lane	
D629,689 S	12/2010	Cresswell et al.	
D629,690 S	12/2010	Cresswell et al.	
D629,691 S	12/2010	Cresswell et al.	
D630,474 S	1/2011	Gilbert	
D630,475 S	1/2011	Lu	
D631,666 S	2/2011	Lim et al.	
D632,524 S *	2/2011	Rosbach	D7/510
D633,338 S	3/2011	Rosbach et al.	
D633,794 S	3/2011	Cresswell et al.	
D633,795 S	3/2011	Cresswell et al.	
D633,796 S	3/2011	Cresswell et al.	
D633,797 S	3/2011	Cresswell et al.	
D635,457 S *	4/2011	Lane	D7/511
D635,856 S	4/2011	Lauret	
D638,695 S	5/2011	Woodrow	
D638,708 S	5/2011	Walsh	
D639,164 S	6/2011	Walsh	
D639,661 S	6/2011	Llerena	
D639,663 S	6/2011	Llerena	
D641,591 S	7/2011	Tsukida	
D651,847 S	1/2012	Gilbert	
D652,255 S	1/2012	Carland	
D652,682 S	1/2012	Eyal	
D654,762 S	2/2012	Gilbert	
D655,134 S	3/2012	Gilbert	
D655,581 S	3/2012	Kotani	
D657,196 S	4/2012	Beyers, III	
D658,064 S	4/2012	Barnes et al.	
D658,445 S	5/2012	Carreno	
D659,007 S	5/2012	Pape	
D660,084 S	5/2012	Gilbert	
D662,360 S	6/2012	George	
8,215,511 B1	7/2012	Lin	
D664,809 S	8/2012	Eyal	
D665,621 S	8/2012	Eyal	
D668,913 S *	10/2012	Mayer	D7/510
D672,238 S	12/2012	Aziz et al.	
D672,609 S	12/2012	Aziz et al.	
D675,100 S	1/2013	Herbst	
D676,764 S	2/2013	Moore et al.	
D678,772 S	3/2013	Johnson et al.	
D680,389 S	4/2013	Zemel et al.	
D684,059 S	6/2013	Johnson et al.	
D686,078 S	7/2013	Johnson et al.	
D688,093 S	8/2013	Roth et al.	
D693,698 S	11/2013	Miller, Jr.	
D695,138 S	12/2013	Ball	
D696,945 S	1/2014	Newman	
D697,404 S	1/2014	Johnson et al.	
D698,668 S	2/2014	Vaughn	
D701,464 S	3/2014	Ogata et al.	
D702,092 S	4/2014	Mettler et al.	
D702,506 S	4/2014	Mettler et al.	
D708,954 S *	7/2014	Barnes	D7/511
D709,734 S	7/2014	Kotani	
D712,254 S	9/2014	Geis et al.	
D712,255 S	9/2014	Geis et al.	
D713,268 S	9/2014	Jones et al.	
D713,365 S	9/2014	Green	
D714,162 S *	9/2014	Kang	D9/504
D717,102 S	11/2014	Taketani et al.	
D724,385 S	3/2015	Hurley et al.	
D728,315 S	5/2015	Bo	
D728,995 S	5/2015	Barberi	
D729,579 S *	5/2015	Molayem	D7/507
D729,584 S	5/2015	Weston et al.	
D732,402 S	6/2015	Jones et al.	
D734,154 S	7/2015	Johnson et al.	
D735,578 S	8/2015	Mazurkiewicz et al.	
D741,655 S	10/2015	Whelan et al.	
D743,742 S	11/2015	Rummel et al.	
D744,781 S	12/2015	Rummel et al.	
D754,472 S	5/2016	Munari	
D783,368 S	4/2017	Seiders	
D795,013 S *	8/2017	Shultz	D7/392.1
D808,720 S *	1/2018	Dinan	D7/507
2011/0186585 A1	8/2011	Lu	
2014/0217056 A1 *	8/2014	Parekh	A45F 3/16 215/228
2014/0353275 A1	12/2014	Hung	

* cited by examiner

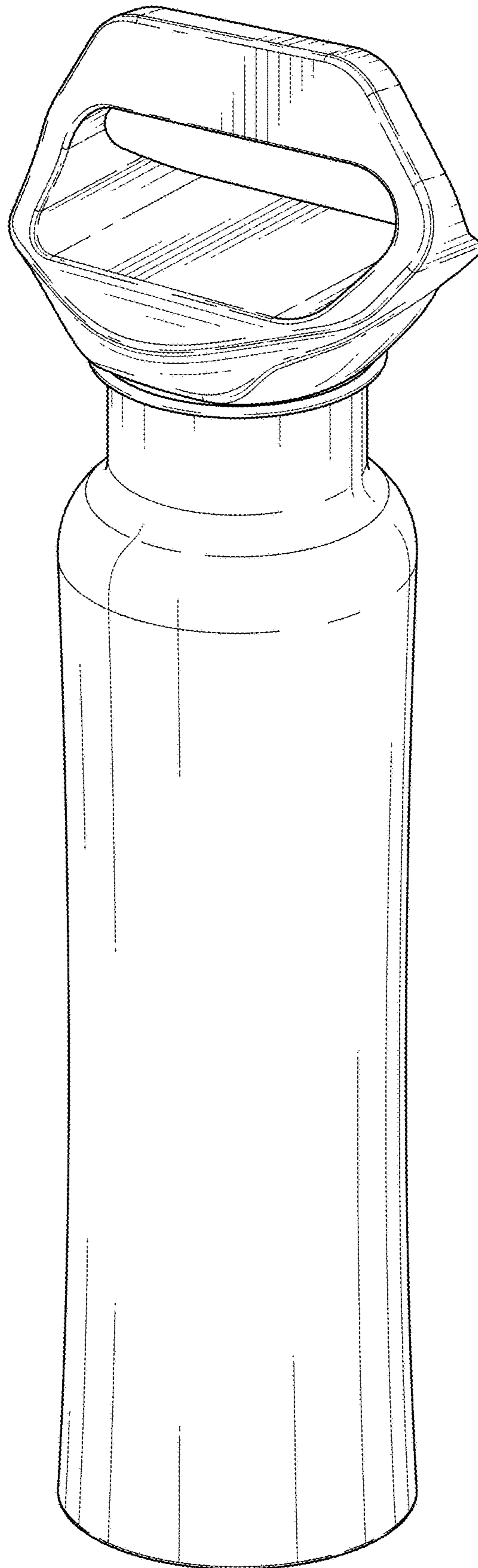


FIG. 1

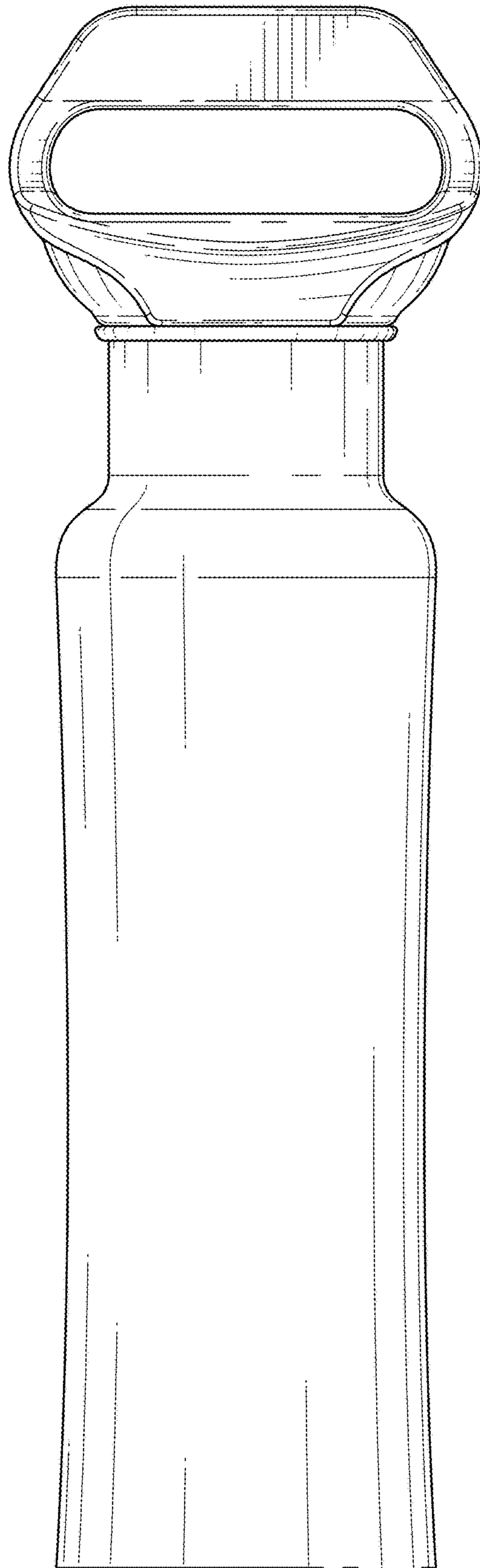


FIG. 2

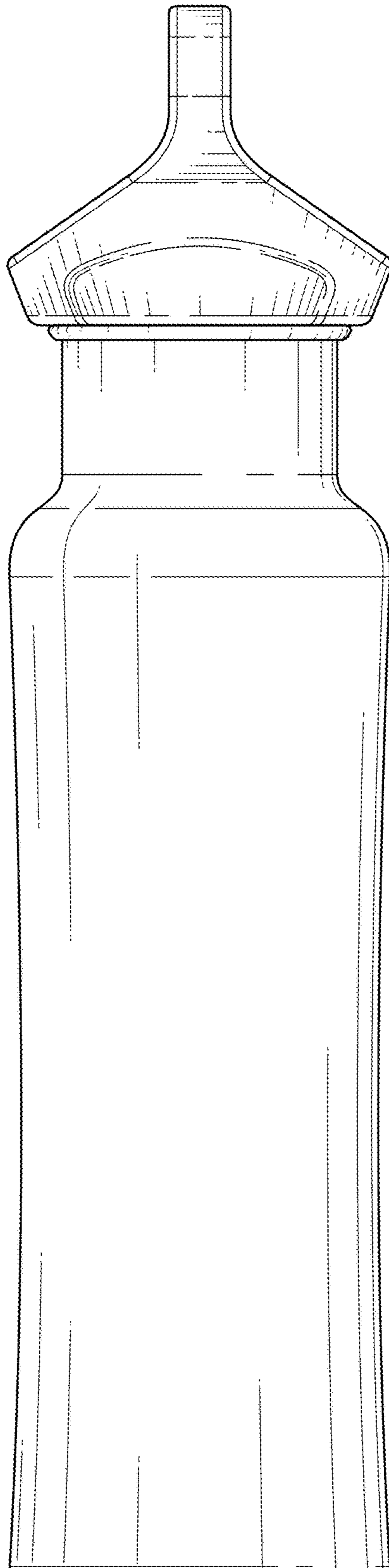


FIG. 3

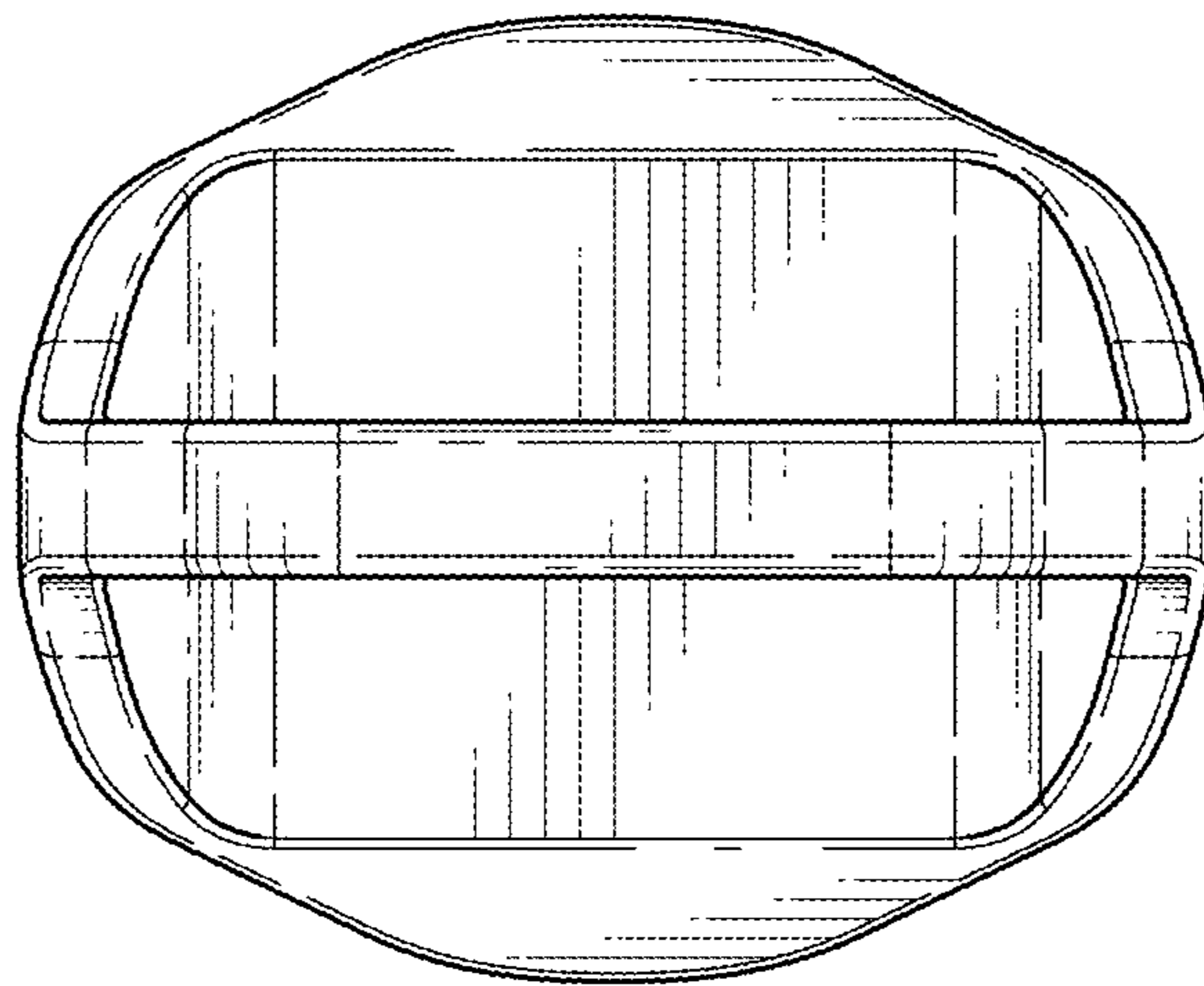


FIG. 4