



US00D818770S

(12) **United States Design Patent** (10) **Patent No.:** **US D818,770 S**
Boyd (45) **Date of Patent:** **** May 29, 2018**

(54) **COMBINATION STOVE AND COUNTER TOP**

(71) Applicant: **Donise Milton Boyd**, Pinson, AL (US)

(72) Inventor: **Donise Milton Boyd**, Pinson, AL (US)

(**) Term: **15 Years**

(21) Appl. No.: **29/562,838**

(22) Filed: **Apr. 29, 2016**

(51) **LOC (11) Cl.** **07-02**

(52) **U.S. Cl.**
USPC **D7/407**

(58) **Field of Classification Search**
USPC D7/402, 405, 406, 323, 339-340,
D7/346-349, 350.1, 350.2, 350.3, 350.4,
D7/351, 332, 407
CPC .. H05B 1/0261; H05B 1/0263; H05B 1/0266;
F24C 3/008; F24C 5/00; F24C 7/00;
F24C 15/024; F24C 15/02
See application file for complete search history.

(56) **References Cited**

U.S. PATENT DOCUMENTS

D32,755 S * 5/1900 Van Wie D7/340
D69,626 S * 3/1926 Bartow D7/340
D111,009 S * 8/1938 Teller 126/39 R
D113,275 S * 2/1939 Miller D7/346
D122,814 S * 10/1940 Barnsteiner D7/406

D140,048 S * 1/1945 Benson D7/340
D173,410 S * 11/1954 Buckingham D7/340
D226,339 S * 2/1973 Hurko D7/346
D239,494 S * 4/1976 Barnes D7/346
D345,891 S * 4/1994 Blanco D7/402
D458,075 S * 6/2002 Holbrook D7/346
D469,652 S * 2/2003 Holbrook D7/339

* cited by examiner

Primary Examiner — Sheryl Lane
Assistant Examiner — Nicole C Shiflet
(74) *Attorney, Agent, or Firm* — Dunlap Bennett & Ludwig PLLC

(57) **CLAIM**

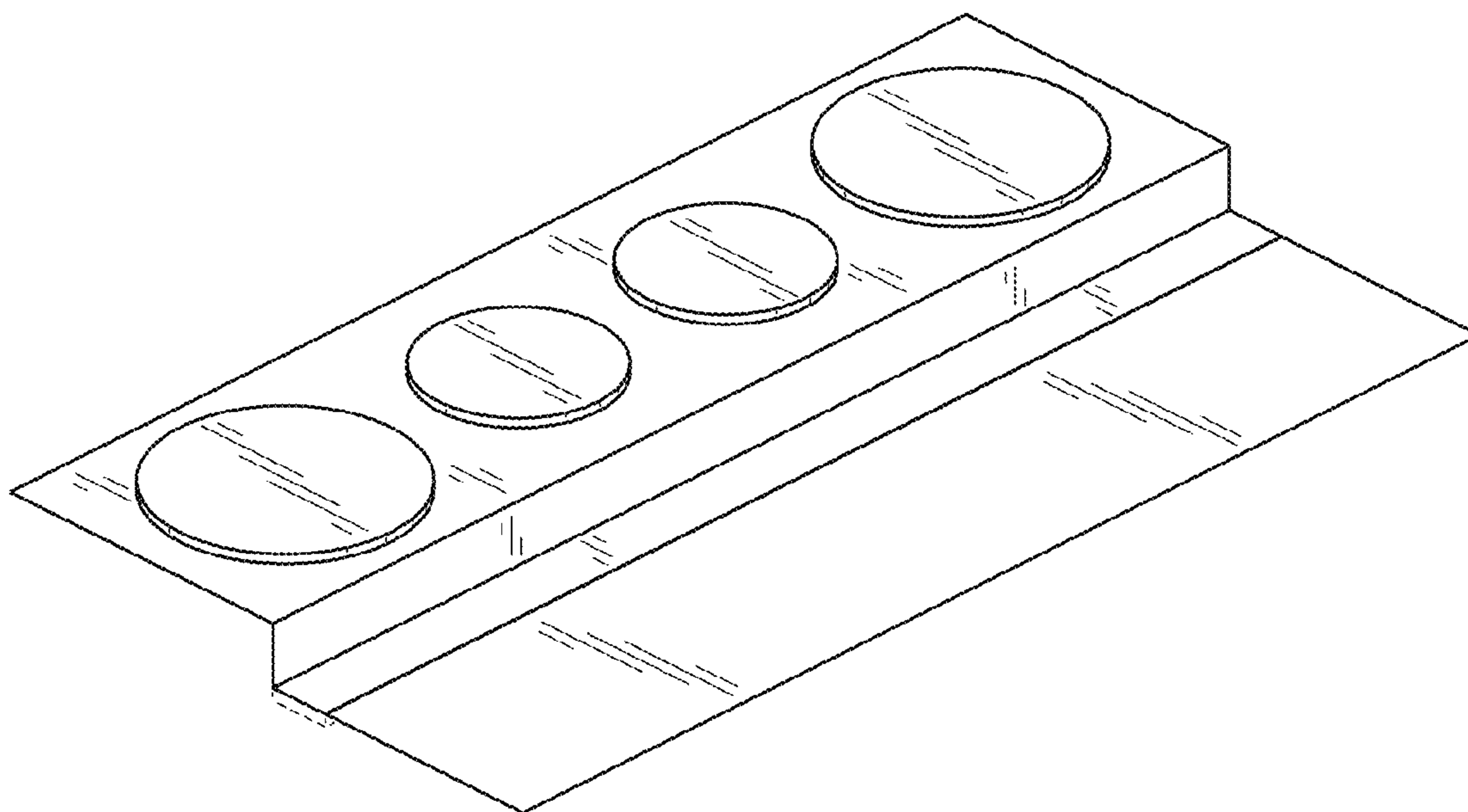
The ornamental design for a combination stove and counter top, as shown and described.

DESCRIPTION

FIG. 1 is a front perspective view of a combination stove and counter top;
FIG. 2 is a front elevation view of FIG. 1;
FIG. 3 is a rear elevation view of FIG. 1;
FIG. 4 is a left side elevation view of FIG. 1, the right side elevation view being a mirror image thereof;
FIG. 5 is a top plan view of FIG. 1; and,
FIG. 6 is a bottom plan view of FIG. 1.

The broken lines shown in the drawings depict portions of the combination stove and counter top that form no part of the claimed design.

1 Claim, 2 Drawing Sheets



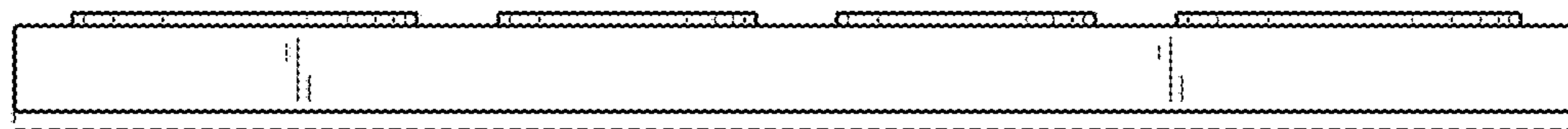
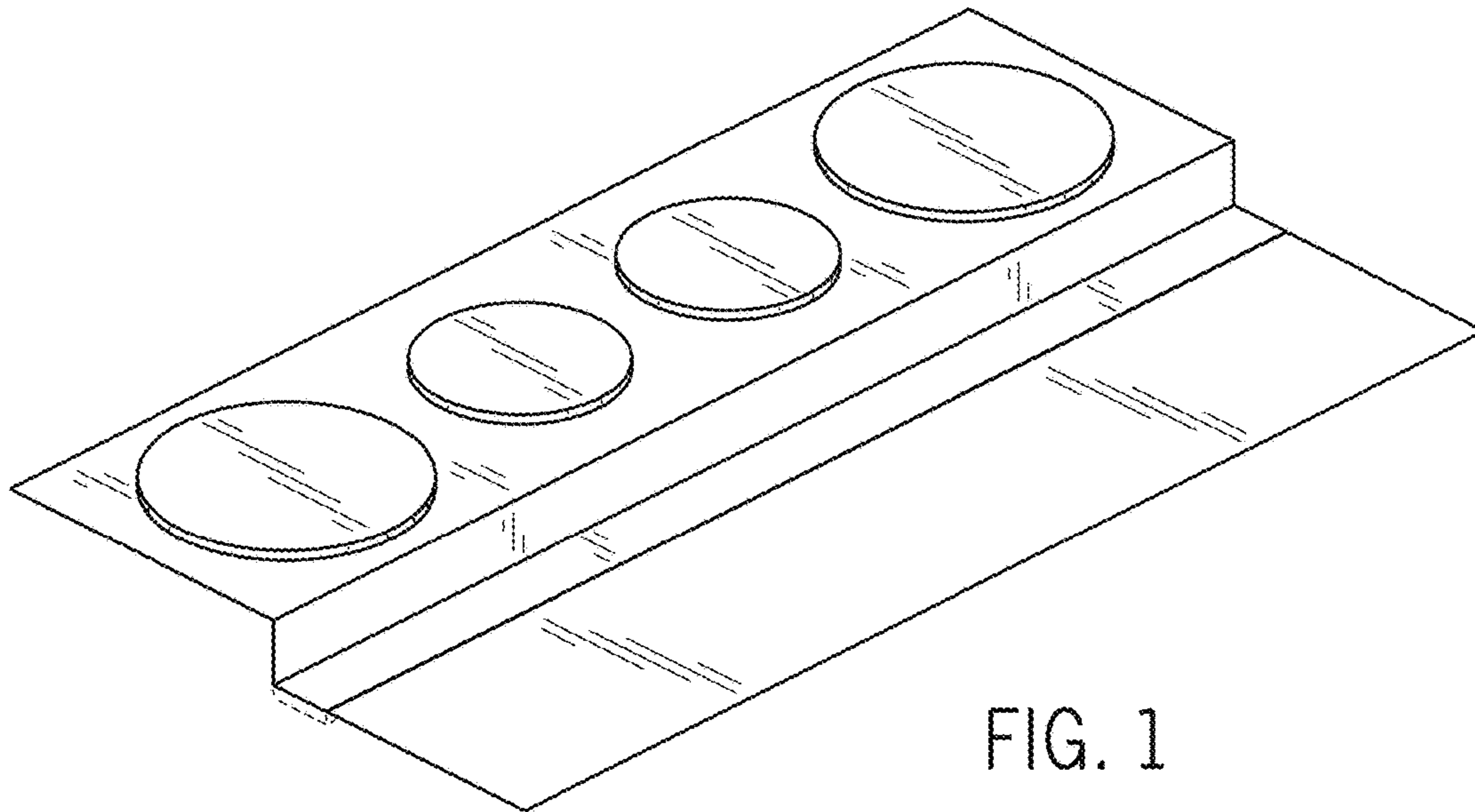


FIG. 2

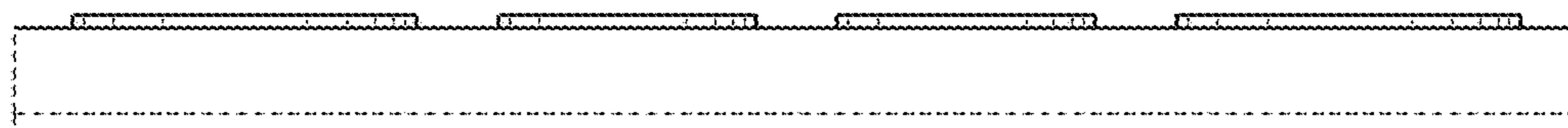


FIG. 3

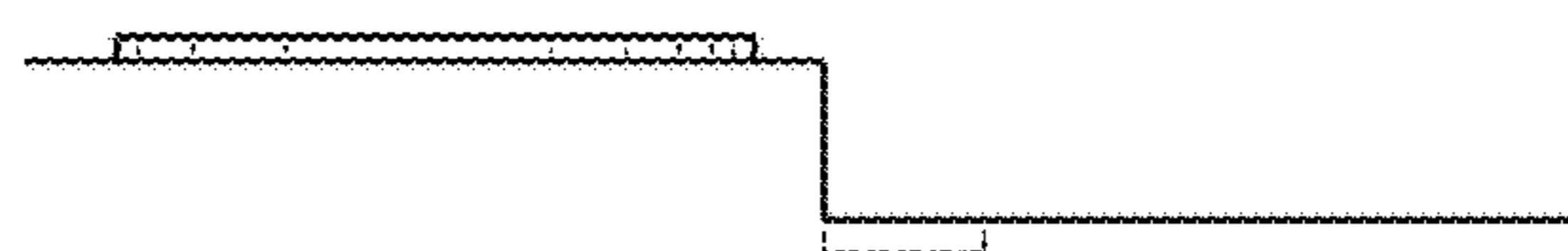


FIG. 4

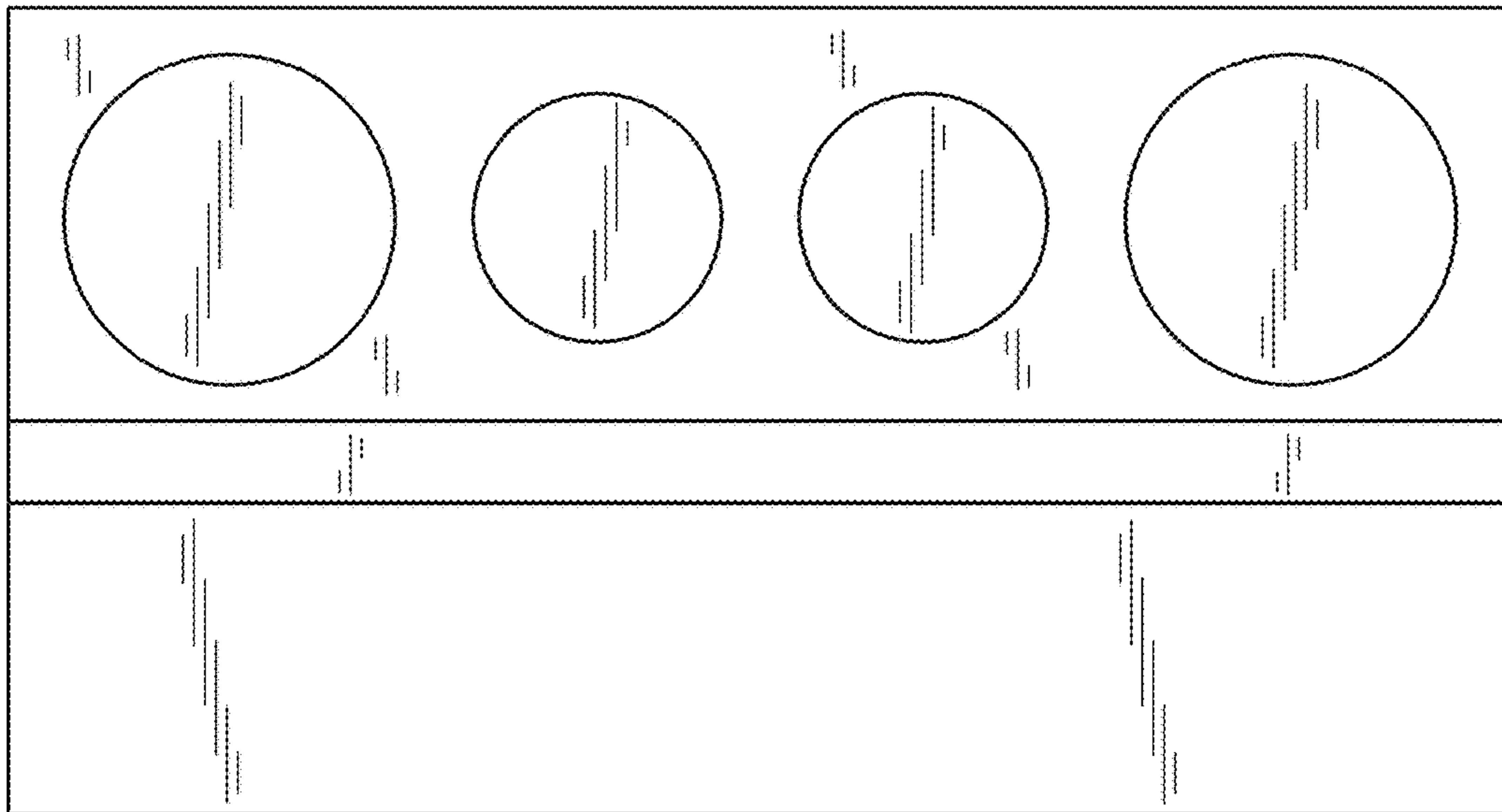


FIG. 5



FIG. 6