



US00D818769S

(12) **United States Design Patent** (10) **Patent No.:** **US D818,769 S**  
**Snyker** (45) **Date of Patent:** **\*\* May 29, 2018**

(54) **WATER BOTTLE DISPENSER**  
(71) Applicant: **Tailor Made Products, Inc.,**  
Oconomowoc, WI (US)  
(72) Inventor: **Mark Omer Snyker,** Apple Valley, MN  
(US)  
(73) Assignee: **Tailor Made Products, Inc.,**  
Oconomowoc, WI (US)

5,370,245 A 12/1994 Tersch et al.  
D361,131 S \* 8/1995 Leopold ..... D24/199  
6,135,297 A 10/2000 DeShazo et al.  
D467,764 S \* 12/2002 Harrison ..... D7/306  
6,811,042 B2 11/2004 Kelly et al.  
D536,933 S \* 2/2007 Perlman ..... D7/619.1  
D775,890 S \* 1/2017 Gallagher ..... D7/397  
9,586,803 B1 \* 3/2017 Snyker  
D806,484 S \* 1/2018 Boyden ..... D7/619.1  
D807,694 S \* 1/2018 Jewett ..... D7/397

\* cited by examiner

(\*\*) Term: **15 Years**

*Primary Examiner* — Daniel D Bui  
*Assistant Examiner* — Andrew Kerr

(21) Appl. No.: **29/574,575**

(74) *Attorney, Agent, or Firm* — Brian G. Gilpin; Godfrey & Kahn, S.C.

(22) Filed: **Aug. 17, 2016**

(51) **LOC (11) Cl.** ..... **07-99**

(57) **CLAIM**

(52) **U.S. Cl.**  
USPC ..... **D7/397; D7/387; D7/392**

The ornamental design for a water bottle dispenser, as shown and described.

(58) **Field of Classification Search**  
USPC ..... D7/300, 305, 306, 312, 313, 322, 601,  
D7/602, 619.1, 701  
CPC ..... A47B 73/00; A47G 23/02; B67D 3/00;  
B67D 3/0087  
See application file for complete search history.

**DESCRIPTION**

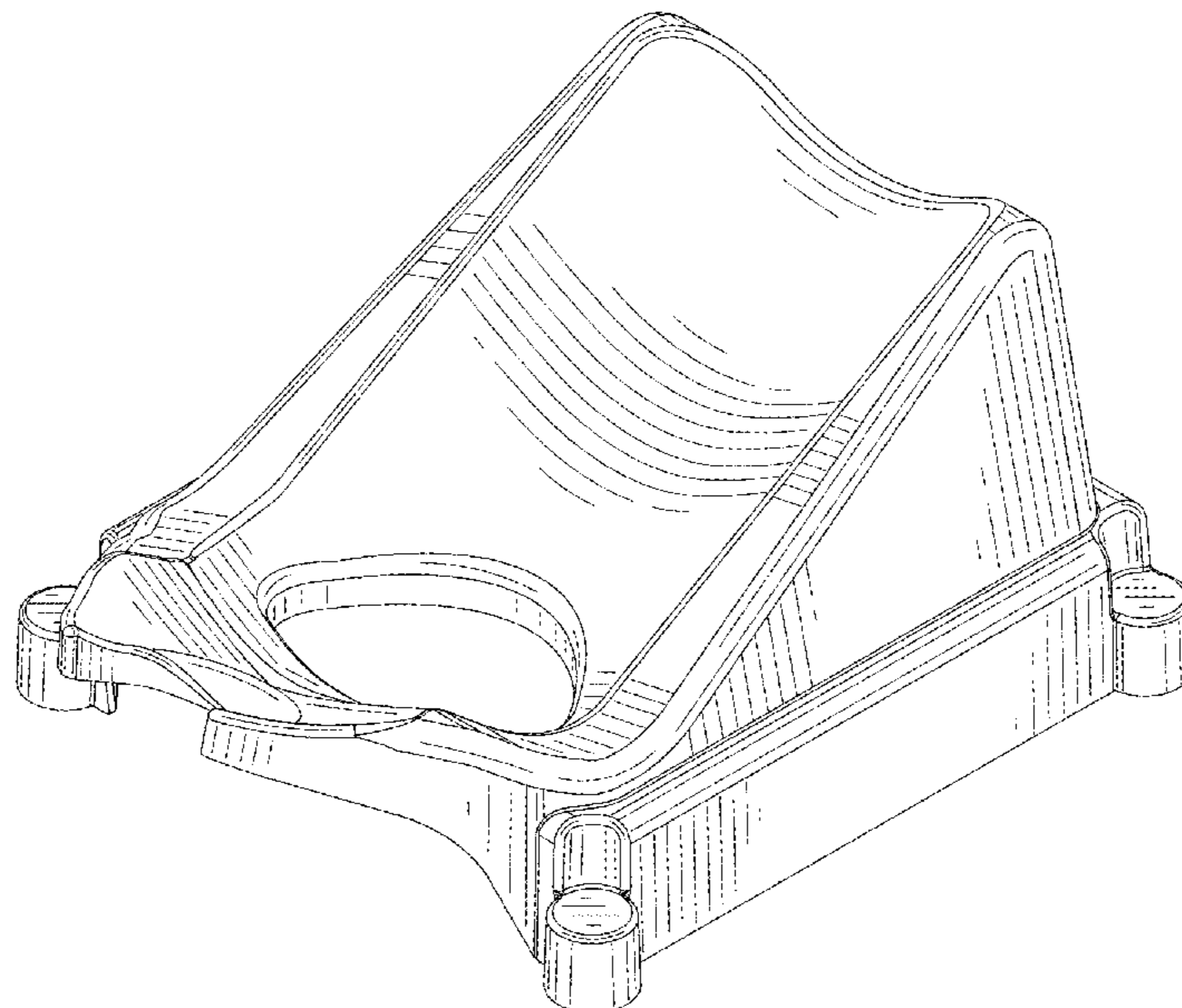
FIG. 1 is a front perspective view of a water bottle dispenser, showing my new design;  
FIG. 2 is a right side elevation view thereof;  
FIG. 3 is a left elevation view thereof;  
FIG. 4 is a front elevation view thereof;  
FIG. 5 is a rear elevation view thereof;  
FIG. 6 is a top plan view thereof;  
FIG. 7 is a bottom plan view thereof; and,  
FIG. 8 is a front perspective view of the water bottle dispenser, shown in use condition.  
The broken lines in the drawing views represent unclaimed portions of a water bottle dispenser, which are included for the purpose of illustrating unclaimed environment only, and form no part of the claimed design.

(56) **References Cited**

**U.S. PATENT DOCUMENTS**

1,017,756 A 2/1912 Head  
1,938,126 A 12/1933 Thompson  
2,321,836 A 6/1943 Marzo  
D198,488 S \* 6/1964 Rels ..... D19/75  
3,814,293 A 6/1974 Daves  
3,827,572 A 8/1974 Cockrum  
4,664,297 A \* 5/1987 Giovinazzi ..... B67D 3/044  
222/185.1  
D336,005 S \* 6/1993 Keup ..... D7/313  
D337,234 S \* 7/1993 McGinnis ..... D7/306

**1 Claim, 8 Drawing Sheets**



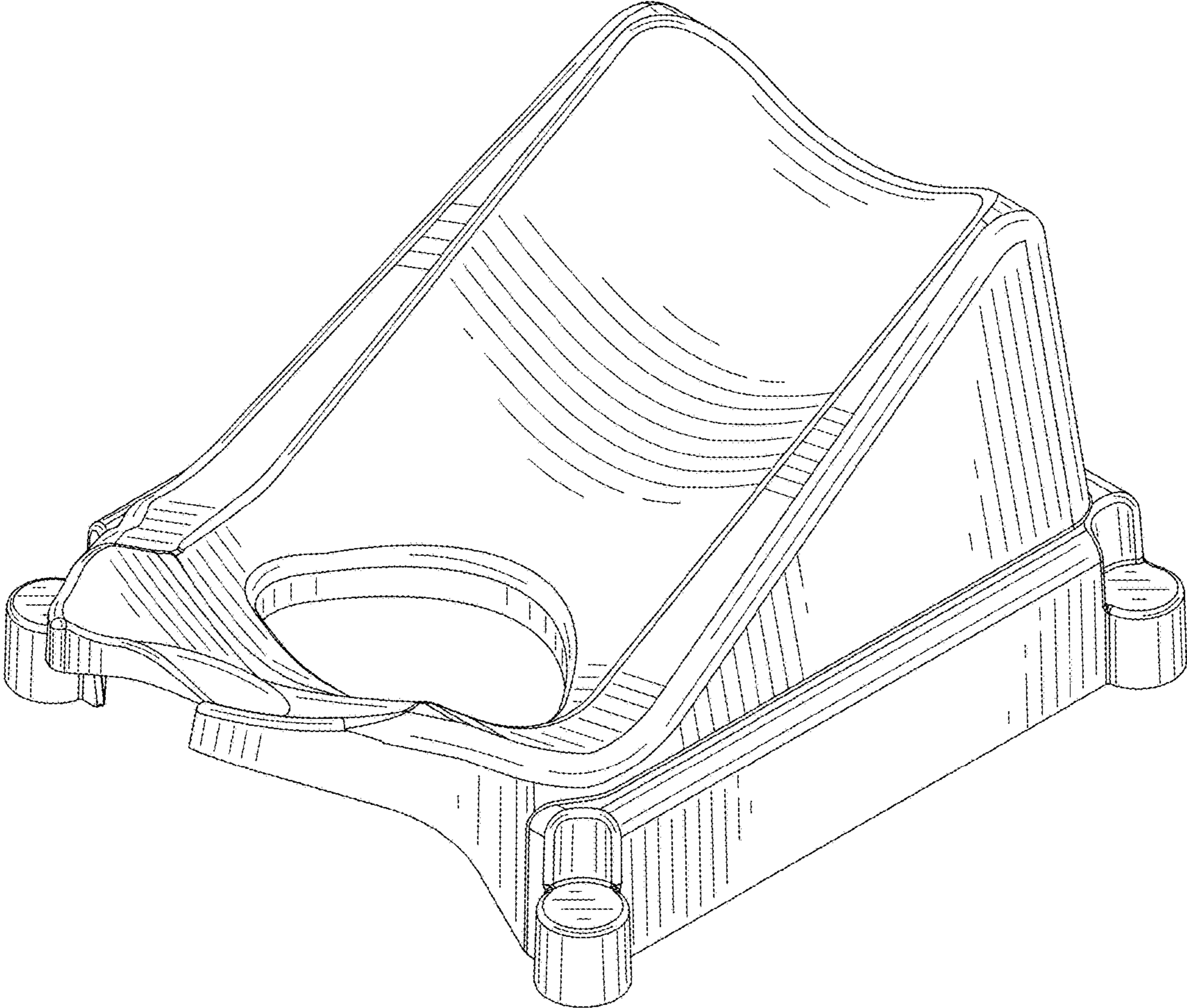


FIG. 1

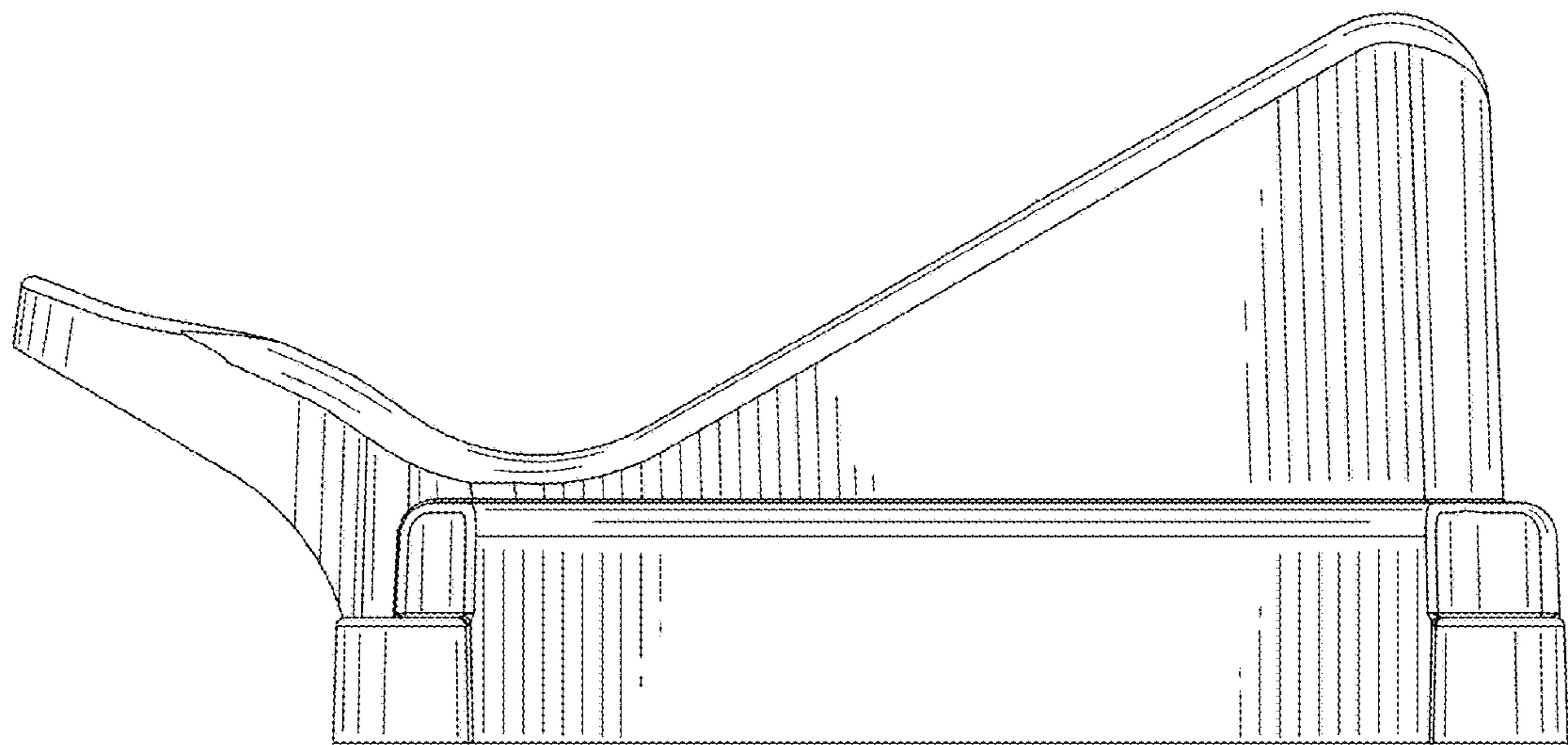


FIG. 2

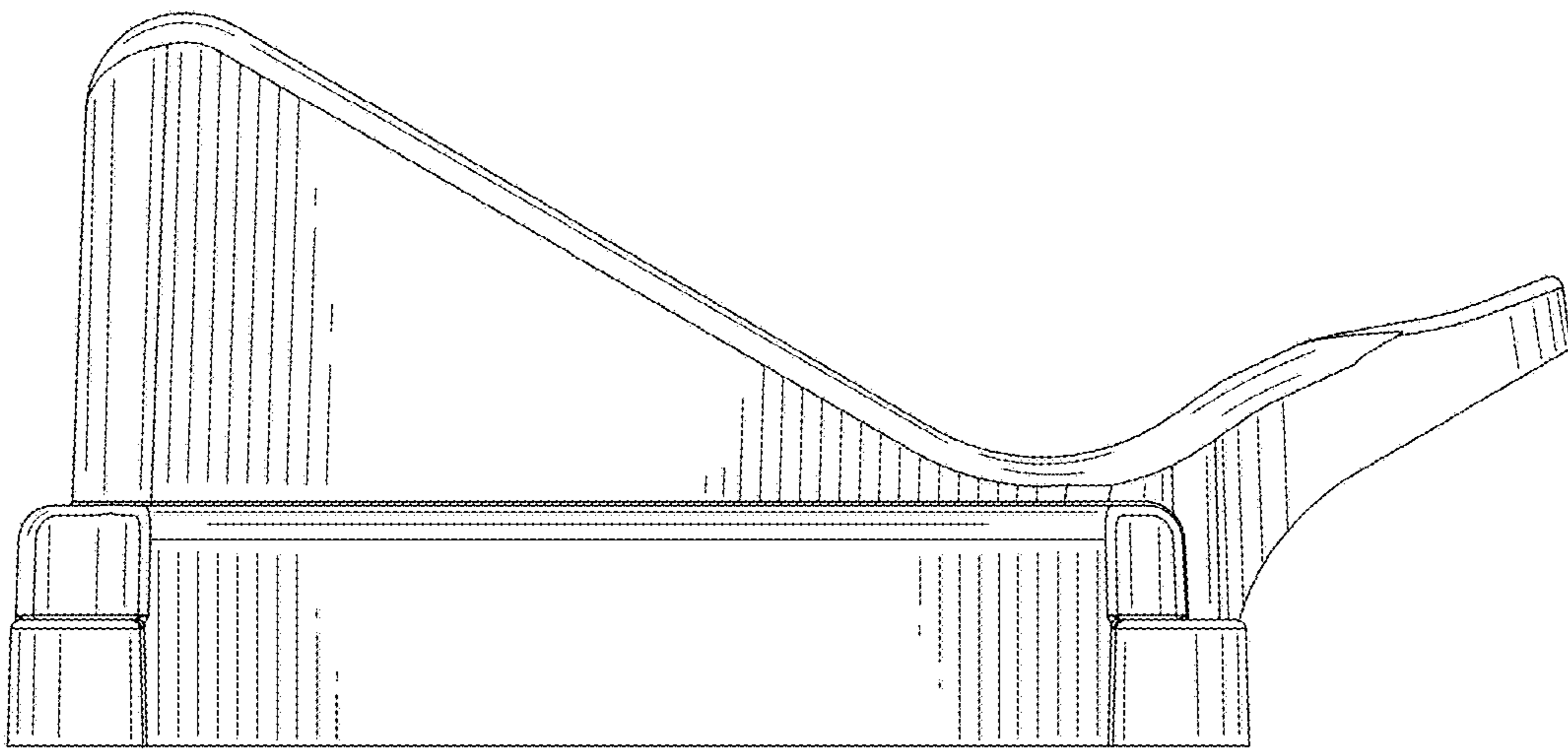


FIG. 3



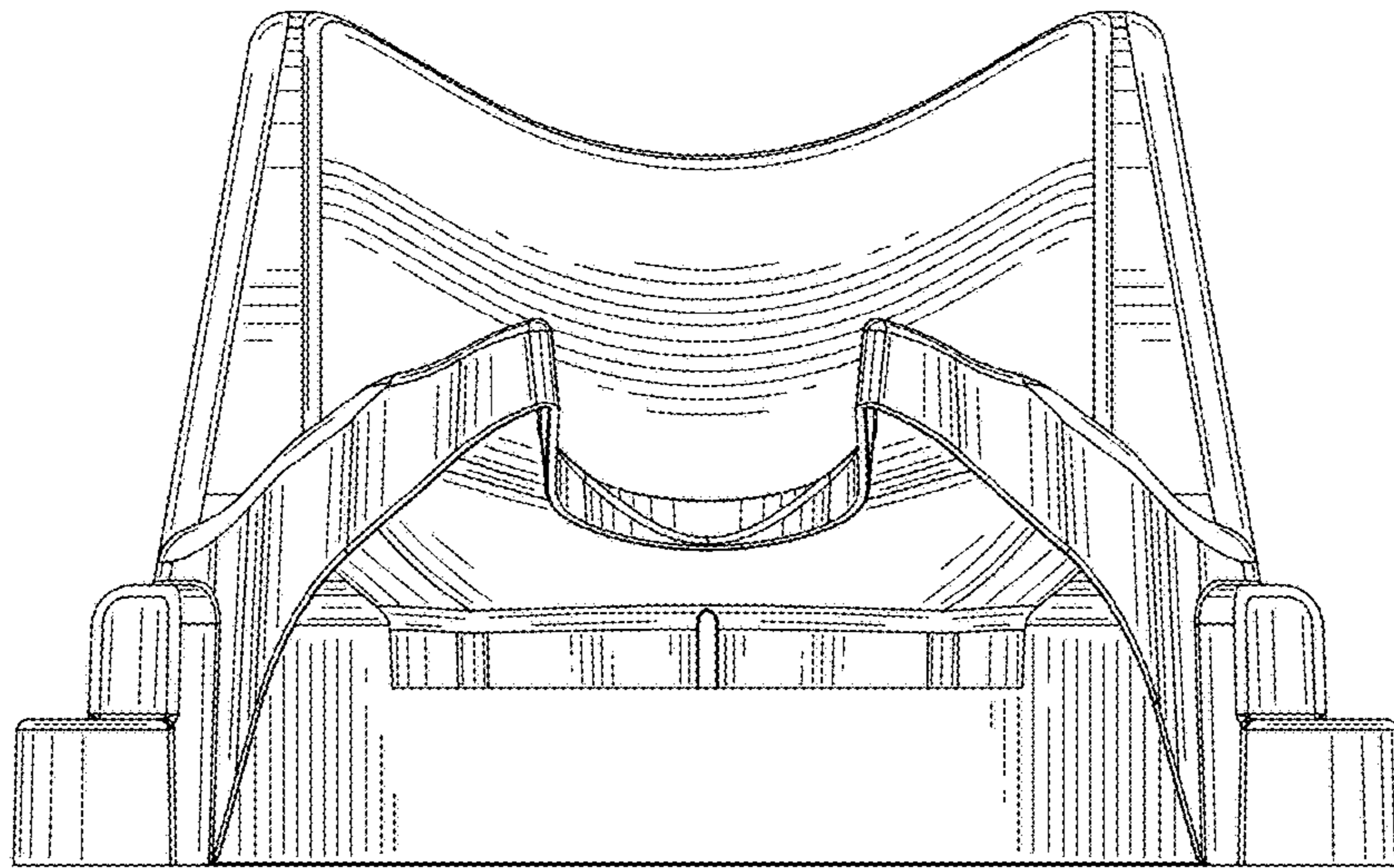


FIG. 4

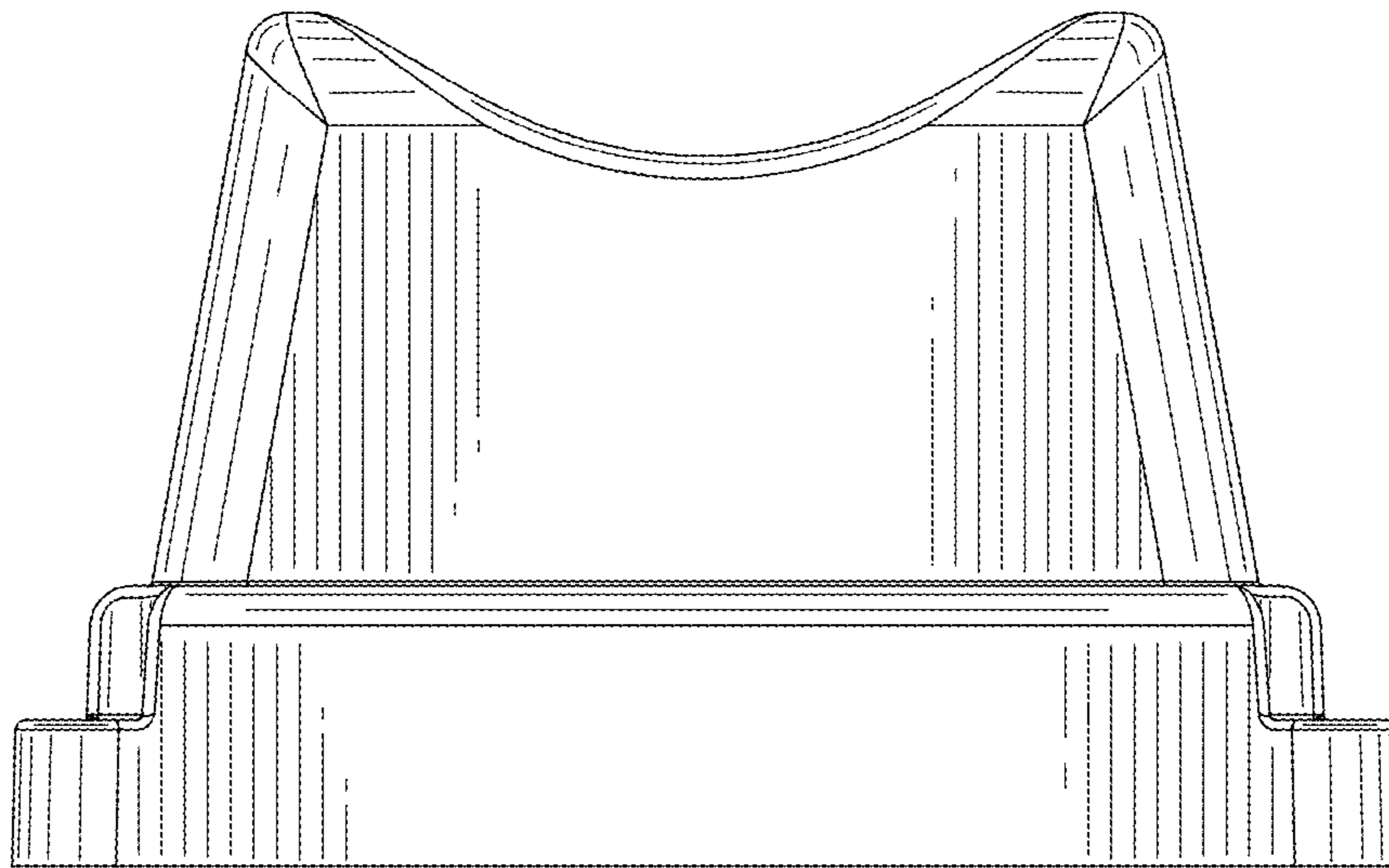


FIG. 5

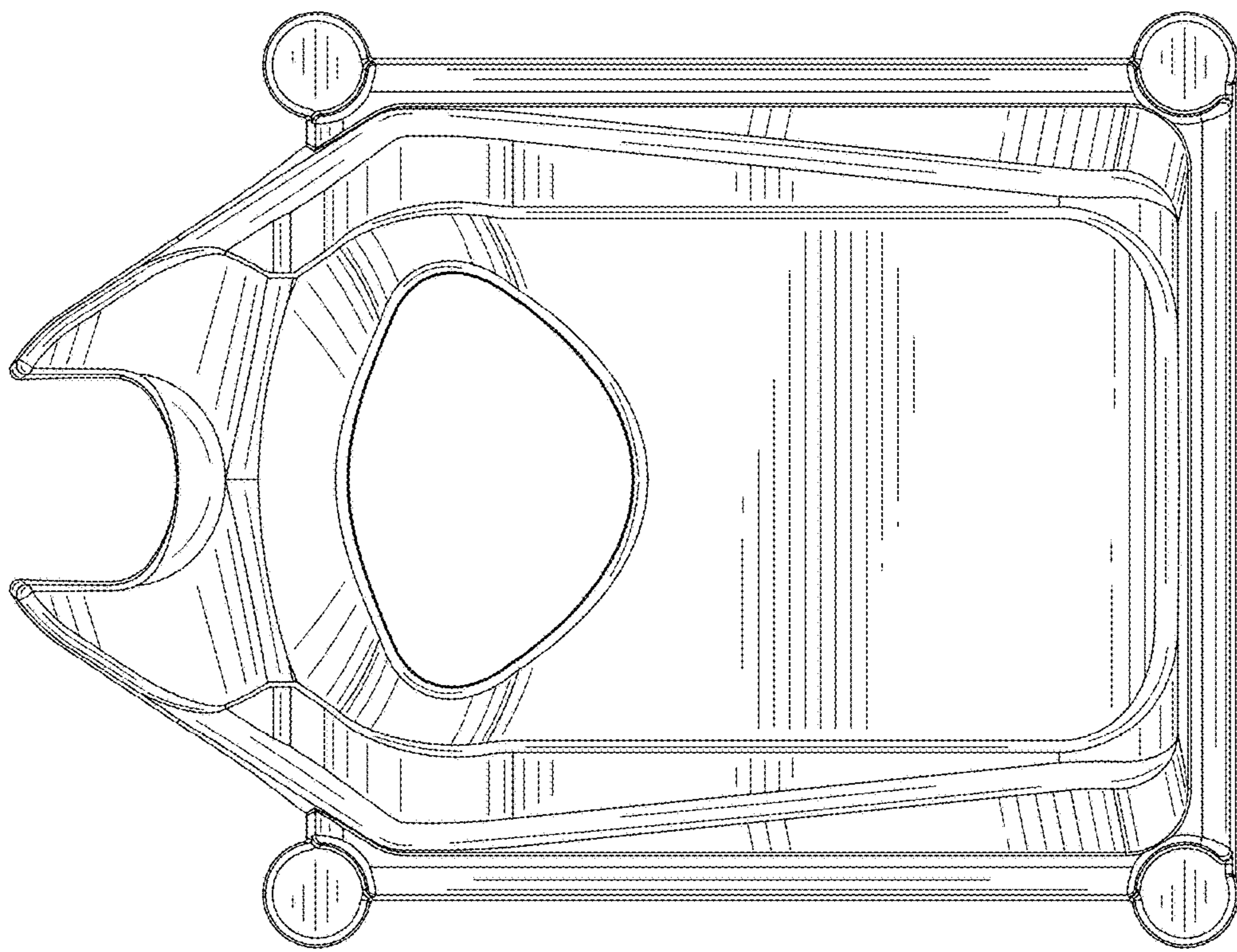


FIG. 6

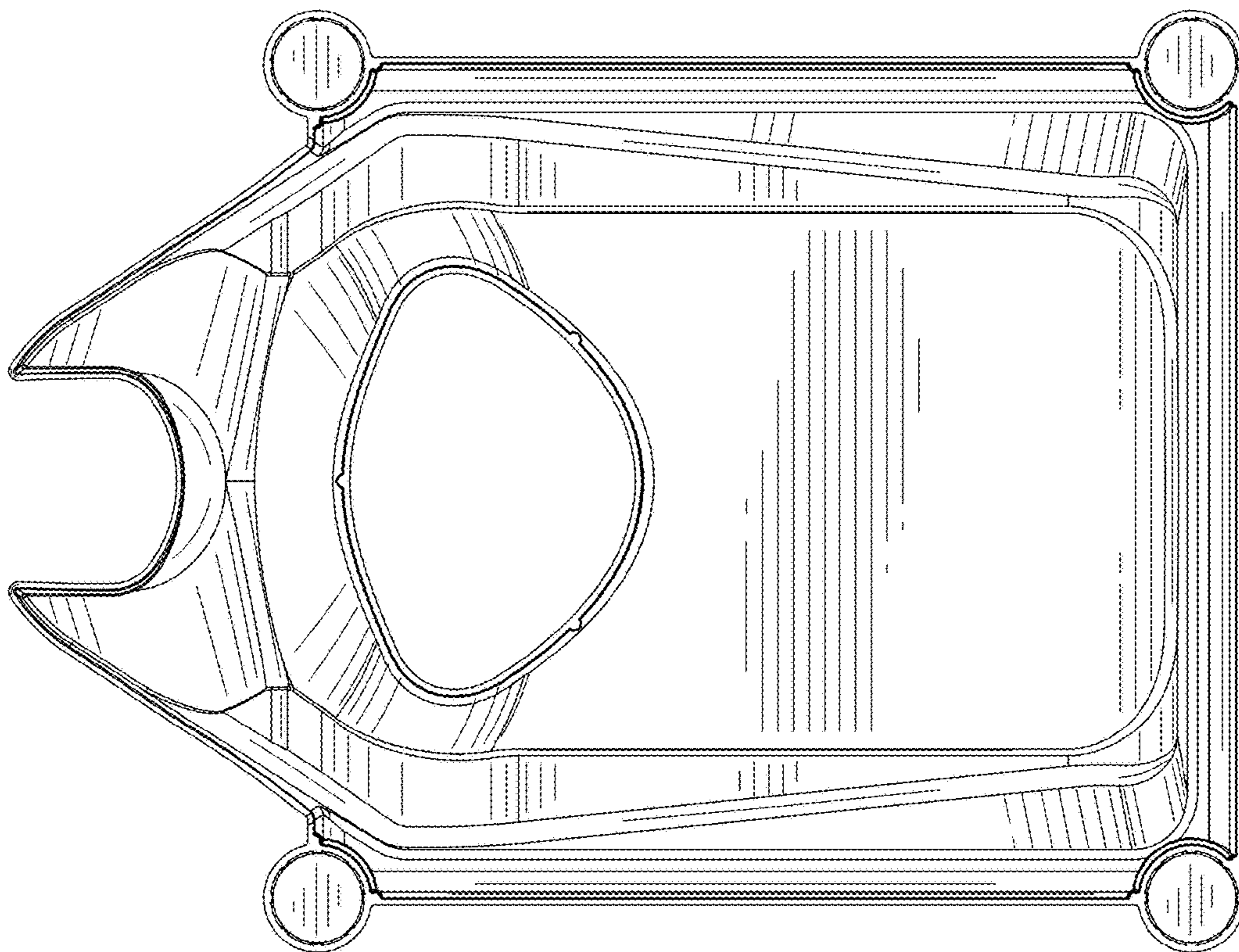


FIG. 7



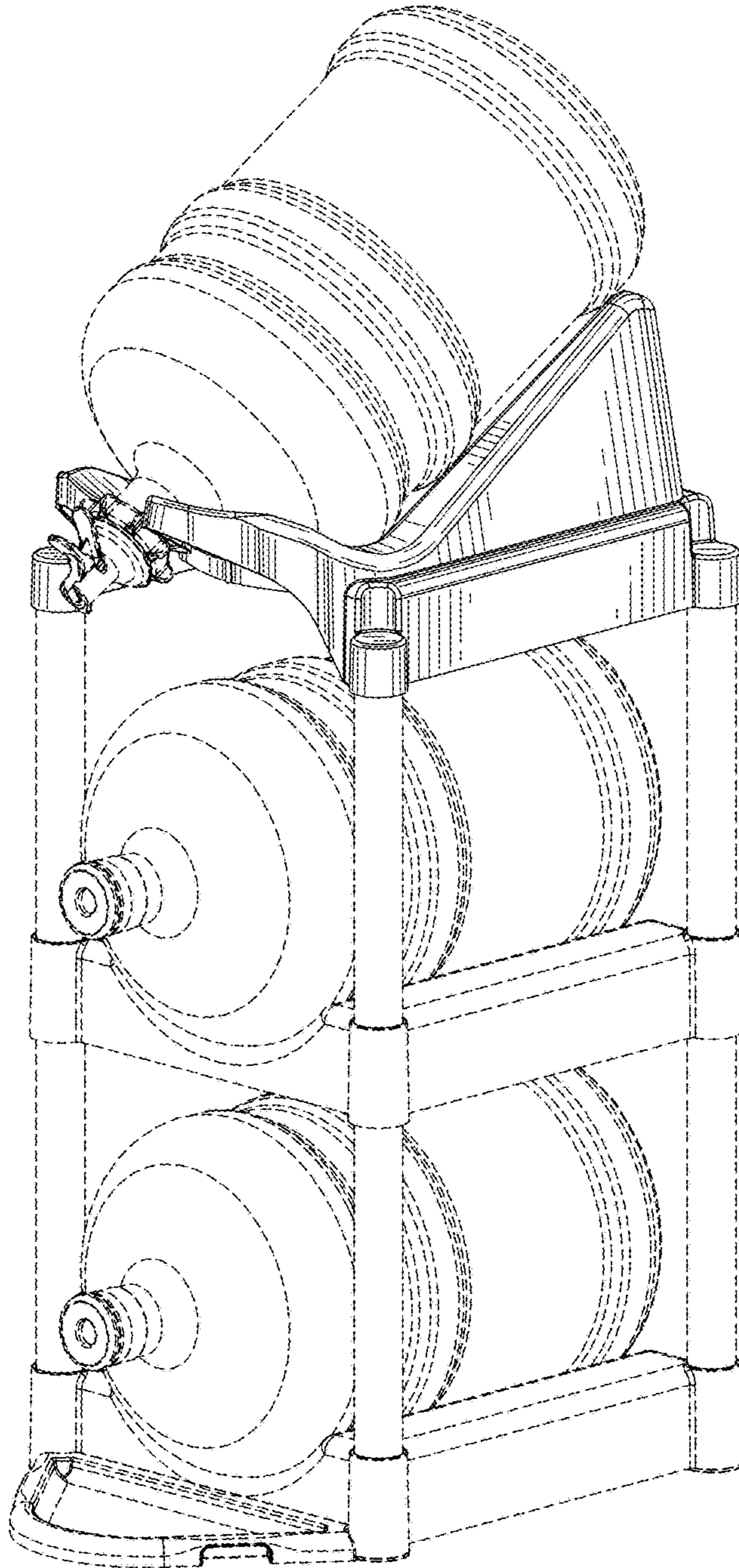


FIG. 8