



US00D818767S

(12) **United States Design Patent**  
**Nezu**

(10) **Patent No.:** **US D818,767 S**  
(45) **Date of Patent:** **\*\* May 29, 2018**

(54) **LID FOR DRINK BOTTLE**

(71) Applicants: **THERMOS L.L.C.**, Schaumburg, IL (US); **THERMOS K.K.**, Niigata-ken (JP)

(72) Inventor: **Kota Nezu**, Tokyo (JP)

(73) Assignees: **Thermos K.K.** (JP); **Thermos L.L.C.**, Schaumburg, IL (US)

(\*\*) Term: **15 Years**

(21) Appl. No.: **29/580,694**

(22) Filed: **Oct. 12, 2016**

(30) **Foreign Application Priority Data**

Apr. 19, 2016 (JP) ..... 2016-008566

(51) **LOC (11) Cl.** ..... **07-01**

(52) **U.S. Cl.**  
USPC ..... **D7/392.1**

(58) **Field of Classification Search**  
USPC ..... D7/391, 392, 392.1, 396.1, 396.2, 397, D7/509, 510, 543, 629; D9/435, 443, D9/447, 449, 516  
CPC ..... B65D 2543/0092; B65D 47/122  
See application file for complete search history.

(56) **References Cited**

**U.S. PATENT DOCUMENTS**

2,557,048 A	6/1951	Haase
4,513,877 A	4/1985	Taguchi et al.
5,732,135 A	3/1998	Vveadon et al.
6,195,431 B1	2/2001	Middleton
6,279,773 B1	8/2001	Kiyota
D455,611 S	4/2002	Kitamura et al.
6,484,895 B2	11/2002	Montgomery et al.
6,702,137 B1	3/2004	Kowa et al.
6,786,353 B2	9/2004	Gourand
D589,743 S	4/2009	Pearson
D596,460 S	7/2009	Nezu

D609,093 S 2/2010 Wisniewski et al.  
D625,604 S \* 10/2010 Zaslow ..... D9/449  
7,857,155 B2 12/2010 Roberts et al.  
7,913,869 B2 3/2011 Cuocolo, Jr.  
(Continued)

**FOREIGN PATENT DOCUMENTS**

JP 2001-149236 A 6/2001  
JP 2012-106802 A 6/2012

**OTHER PUBLICATIONS**

“Zojirushi: The Best Travel Mug Today”. Found online Mar. 13, 2017 at tested.com. Page dated Oct. 8, 2013. Retrieved from <http://www.tested.com/food/458501-best-travel-mug-today/>.\*

(Continued)

*Primary Examiner* — Robert M. Spear  
*Assistant Examiner* — Kendra Leslie Hamilton  
(74) *Attorney, Agent, or Firm* — Polsinelli PC

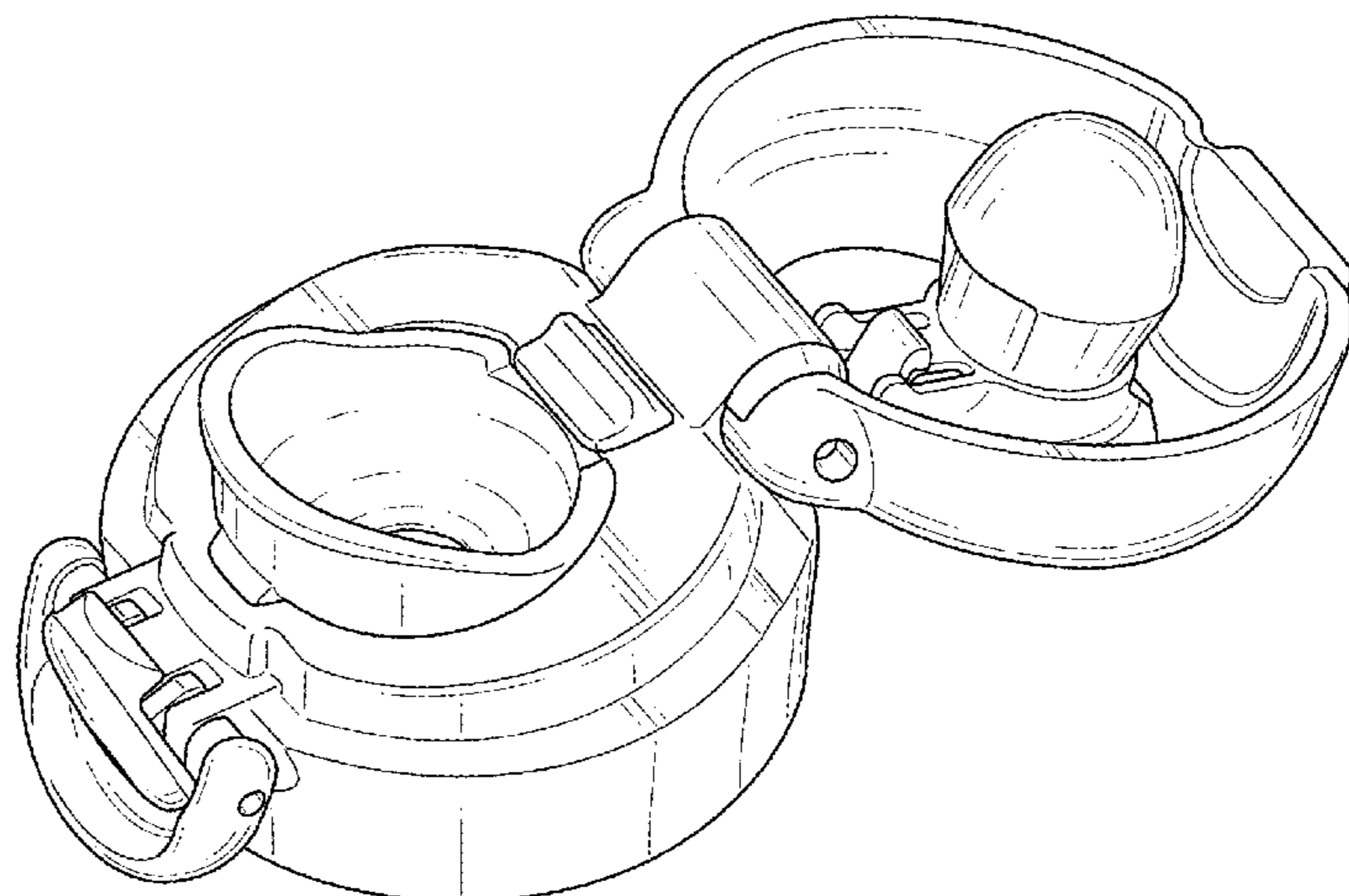
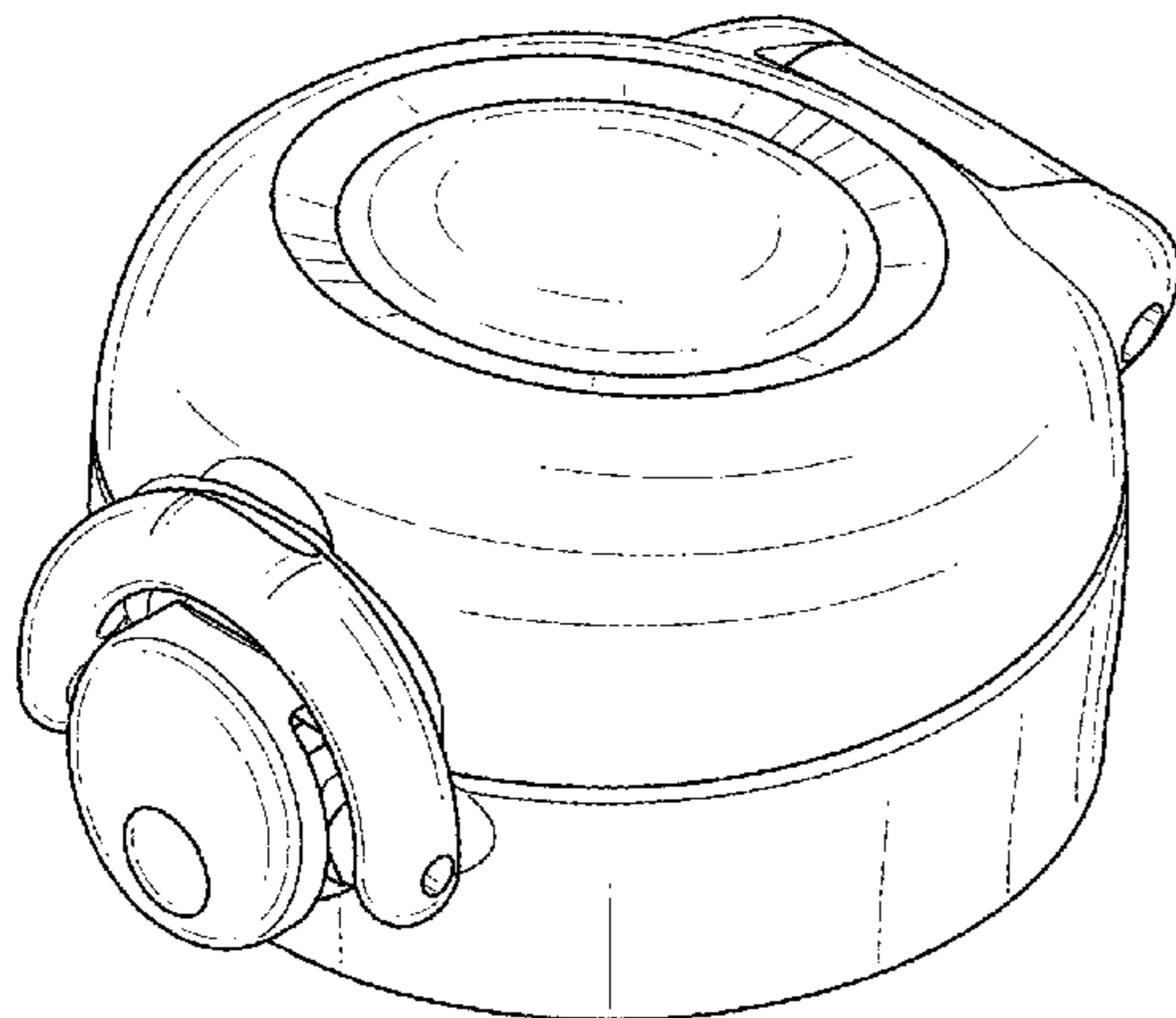
(57) **CLAIM**

The ornamental design for a lid for drink bottle, as shown and described.

**DESCRIPTION**

FIG. 1 is a top front perspective view of a lid for drink bottle, showing my new design;  
FIG. 2 is a front elevation view thereof;  
FIG. 3 is a rear elevation view thereof;  
FIG. 4 is a left side elevation view thereof;  
FIG. 5 is a right side elevation view thereof;  
FIG. 6 is a top plan view thereof;  
FIG. 7 is a bottom plan view thereof; and,  
FIG. 8 is a top front perspective view thereof, with the lid opened for clarity of disclosure.  
The broken lines shown in the drawings illustrate portions of the lid for drink bottle that form no part of the claimed design.

**1 Claim, 8 Drawing Sheets**



(56)

References Cited

U.S. PATENT DOCUMENTS

D636,672 S 4/2011 Lorhman et al.  
 D655,580 S 3/2012 Kotani  
 D655,581 S 3/2012 Kotani  
 D661,945 S \* 6/2012 Eyal ..... D7/392.1  
 D675,060 S 1/2013 Lane  
 D675,865 S \* 2/2013 Wahl ..... D7/392.1  
 D676,708 S 2/2013 Lane  
 D693,630 S \* 11/2013 Hurley ..... D7/392.1  
 D695,069 S 12/2013 Lane  
 D713,724 S \* 9/2014 den Boer ..... D9/449  
 9,150,335 B2 10/2015 Lane  
 9,211,040 B2 12/2015 Lane  
 D747,147 S \* 1/2016 Sanbar ..... D7/510  
 9,282,838 B2 \* 3/2016 Sims ..... A47G 19/2272  
 D778,118 S \* 2/2017 Du ..... D7/608  
 D785,402 S \* 5/2017 Shirley ..... D7/392.1  
 D793,804 S \* 8/2017 Herbst ..... D7/392.1  
 2002/0036207 A1 3/2002 Ohuo  
 2005/0133475 A1 6/2005 Goto et al.  
 2006/0043052 A1 3/2006 Lin  
 2006/0175331 A1 8/2006 Lin et al.  
 2007/0251949 A1 11/2007 Barre et al.  
 2011/0089059 A1 4/2011 Lane  
 2013/0140309 A1 6/2013 George  
 2013/0319966 A1 12/2013 Lane  
 2014/0175098 A1 6/2014 Lane

2015/0225141 A1\* 8/2015 Mackenzie ..... B65D 47/0871  
 215/237  
 2015/0230651 A1\* 8/2015 Molayem ..... A47J 31/0636  
 99/322  
 2015/0282654 A1 10/2015 Kurabe  
 2016/0325892 A1\* 11/2016 Yamaguchi ..... B65D 47/0857

OTHER PUBLICATIONS

“Tupperware Flip Top Sports Bottle Quick Quench”. Found online Jun. 7, 2017 at amazon.co.uk. Page dated Mar. 13, 2014. Retrieved from <https://www.amazon.co.uk/Tupperware-Sports-Bottle-Quick-Quench/dp/B004AXT9QE>.\*

“LifeSky Stainless Steel Insulated Travel Coffee Mug”. Found online Mar. 9, 2017 at amazon.com. Page dated Nov. 30, 2014. Retrieved from [https://www.amazon.com/LifeSky-Stainless-Insulated-Travel-Champagne/dp/B00QDCPO78/ref=sr\\_1\\_9?ie=UTF8&qid=1488839640&sr=8-9&keywords=travel+mug](https://www.amazon.com/LifeSky-Stainless-Insulated-Travel-Champagne/dp/B00QDCPO78/ref=sr_1_9?ie=UTF8&qid=1488839640&sr=8-9&keywords=travel+mug).\*

“On The Go? The Smart Way to Stay Hydrated: Brita Fill&Go Vital”. Found online Jun. 29, 2017 at houseofhome.com.au. Page dated Mar. 29, 2016. Retrieved from <https://www.houseofhome.com.au/blog/brita-fill-and-go>.\*

U.S. Appl. No. 29/517,358, filed Feb. 12, 2015 (23 pages).  
 U.S. Appl. No. 29/517,360, filed Feb. 12, 2015 (23 pages).  
 European Search Report, related to Application No. 15160932.8, dated Sep. 4, 2015 (4 pages).

\* cited by examiner

FIG. 1

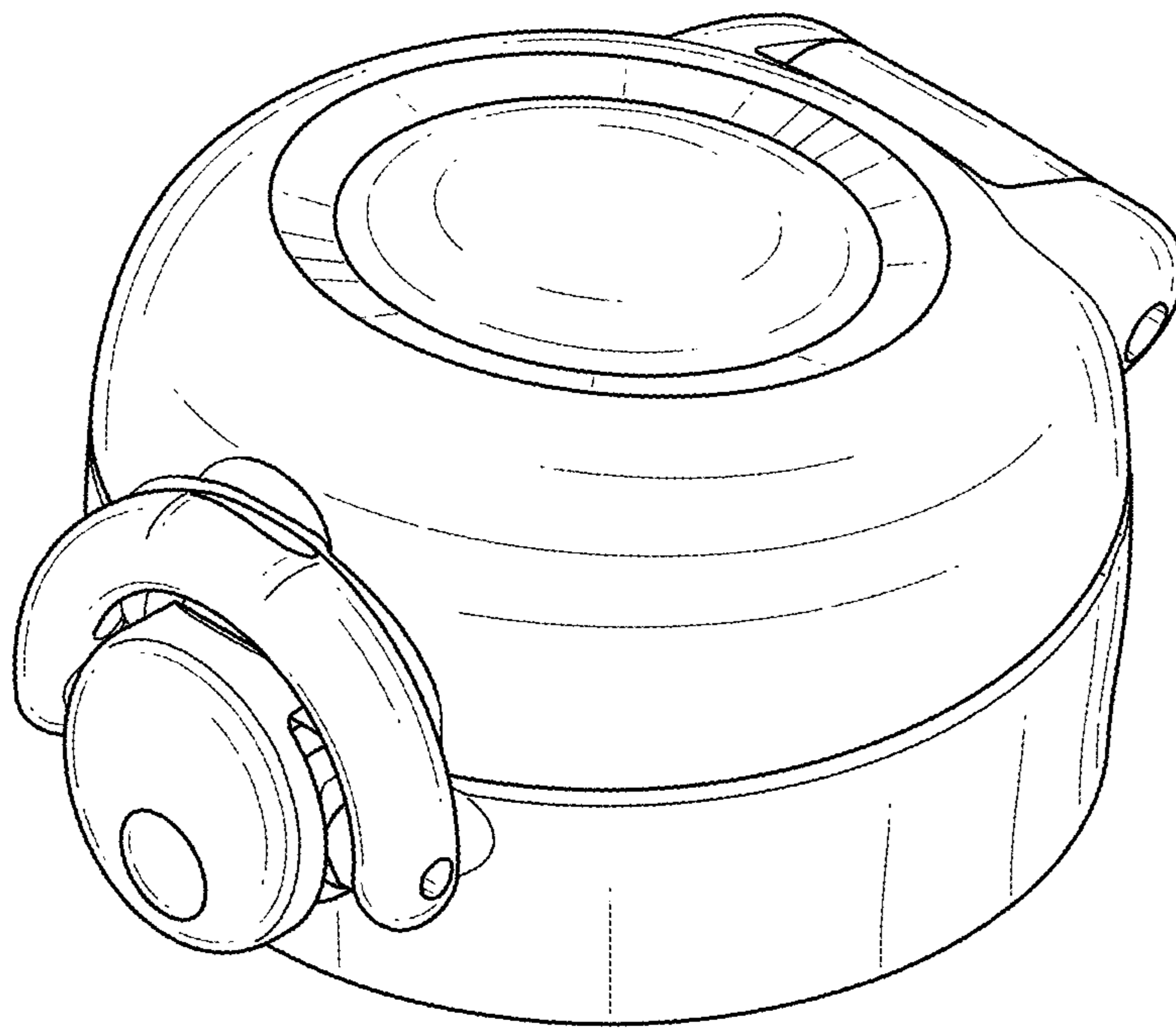


FIG. 2

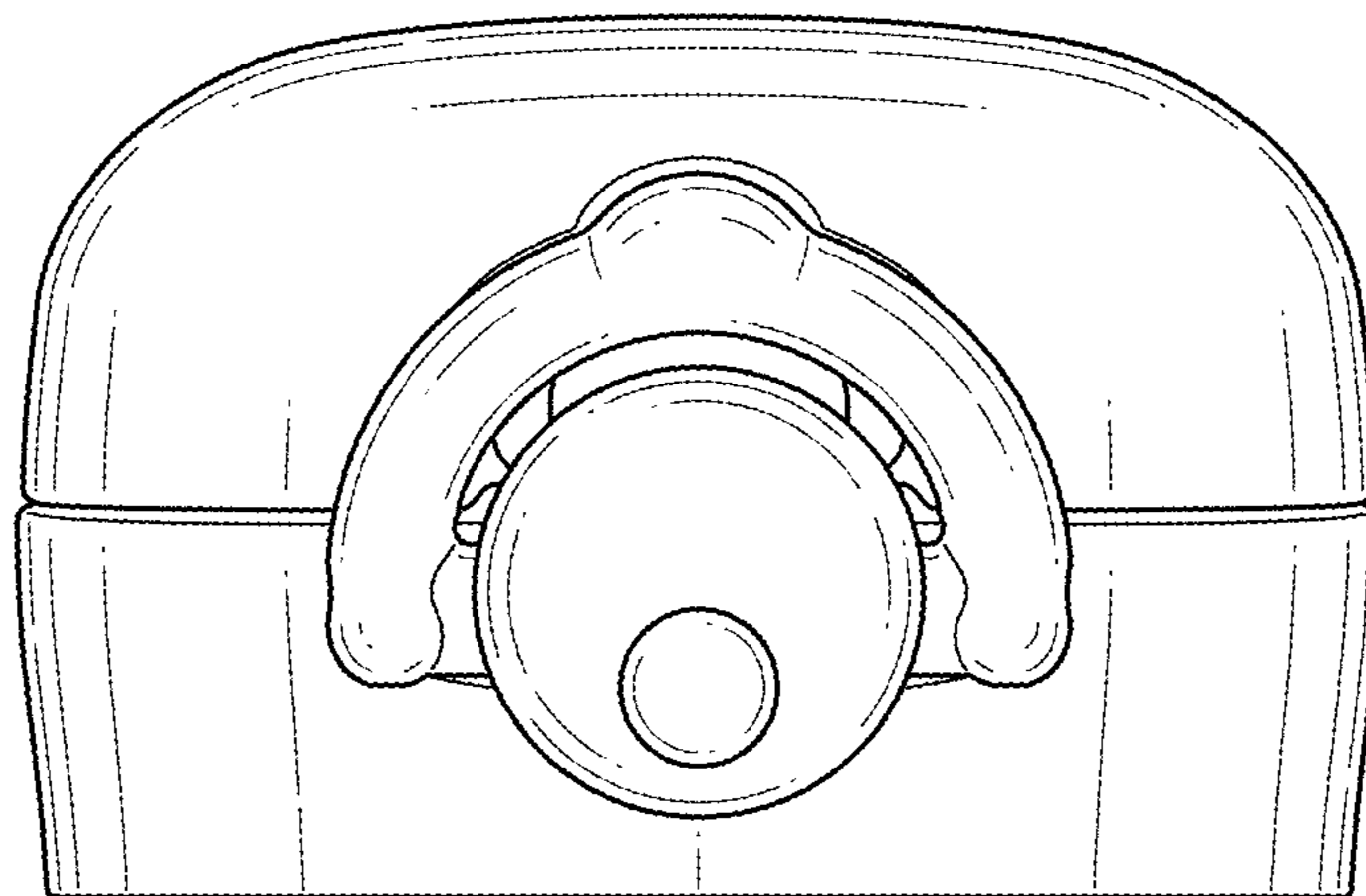


FIG. 3

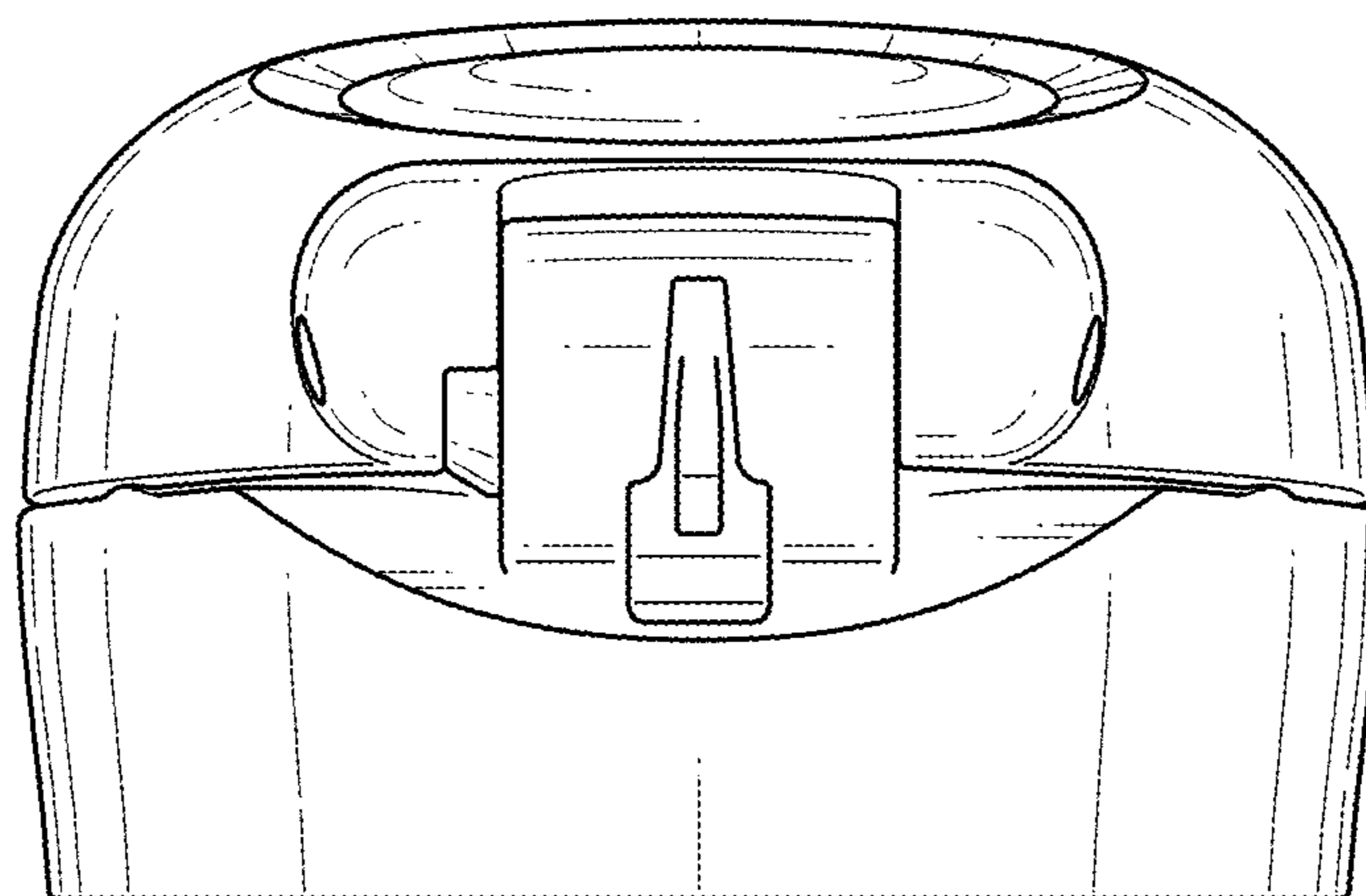


FIG. 4

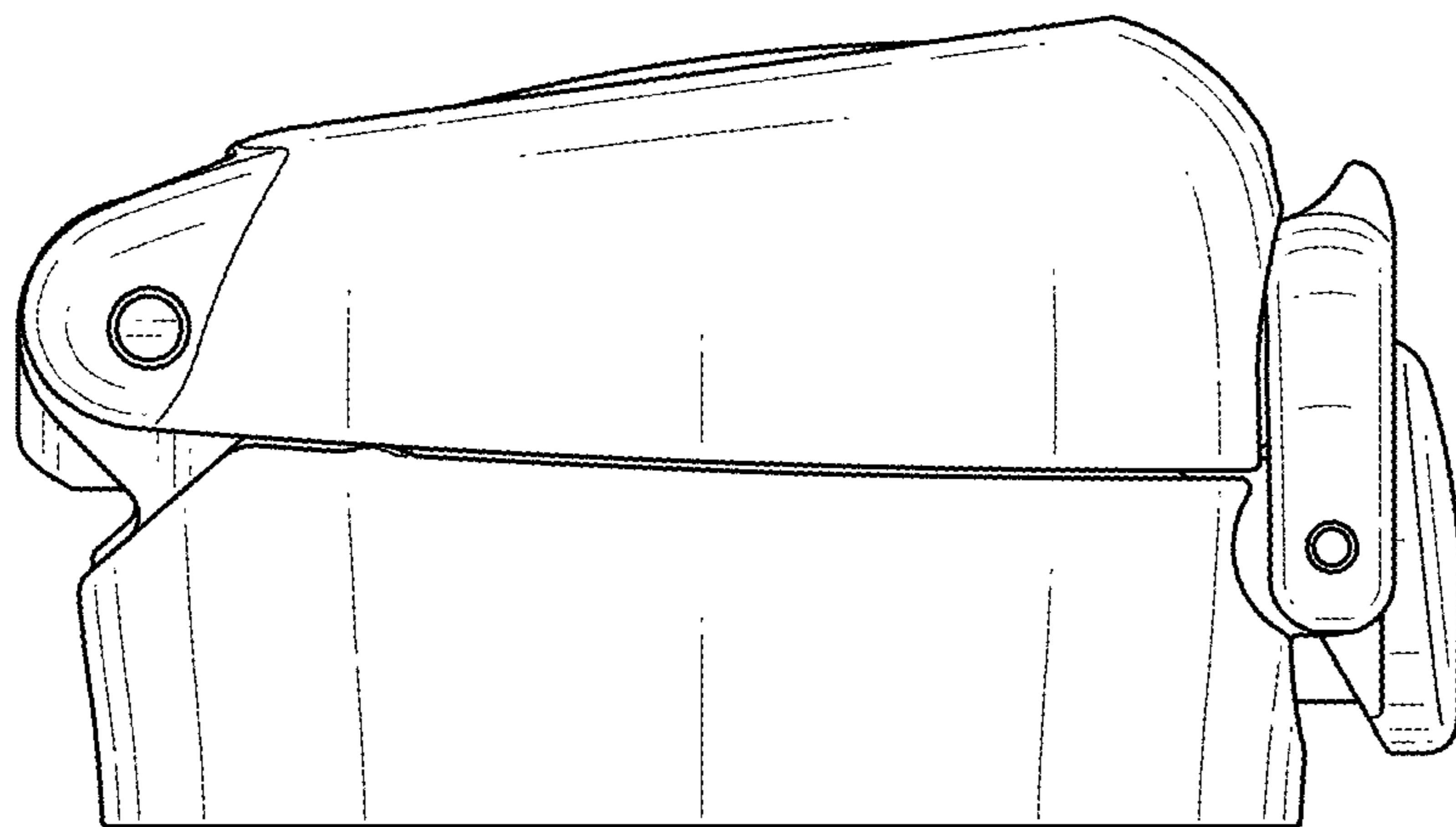


FIG. 5

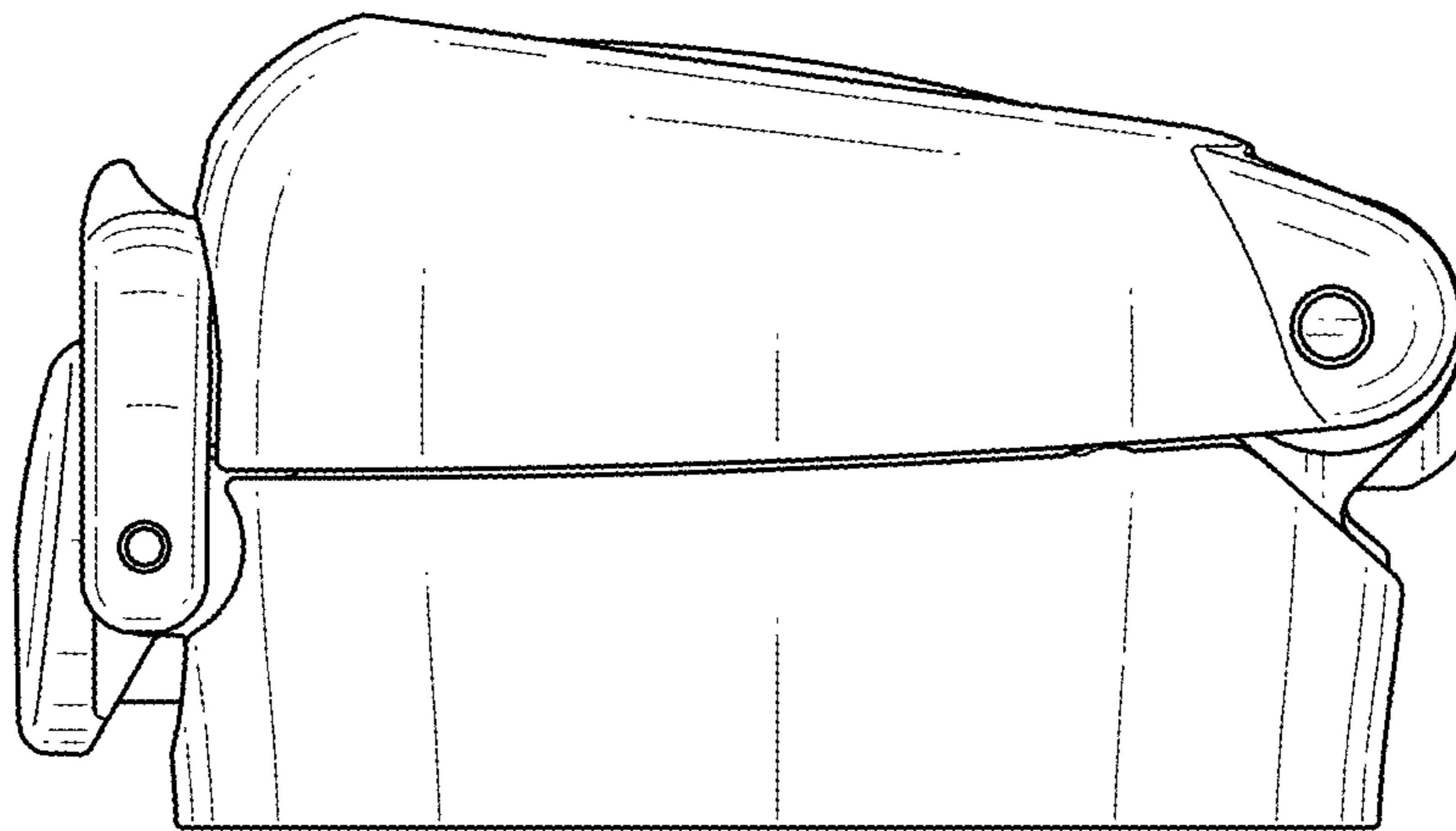


FIG. 6

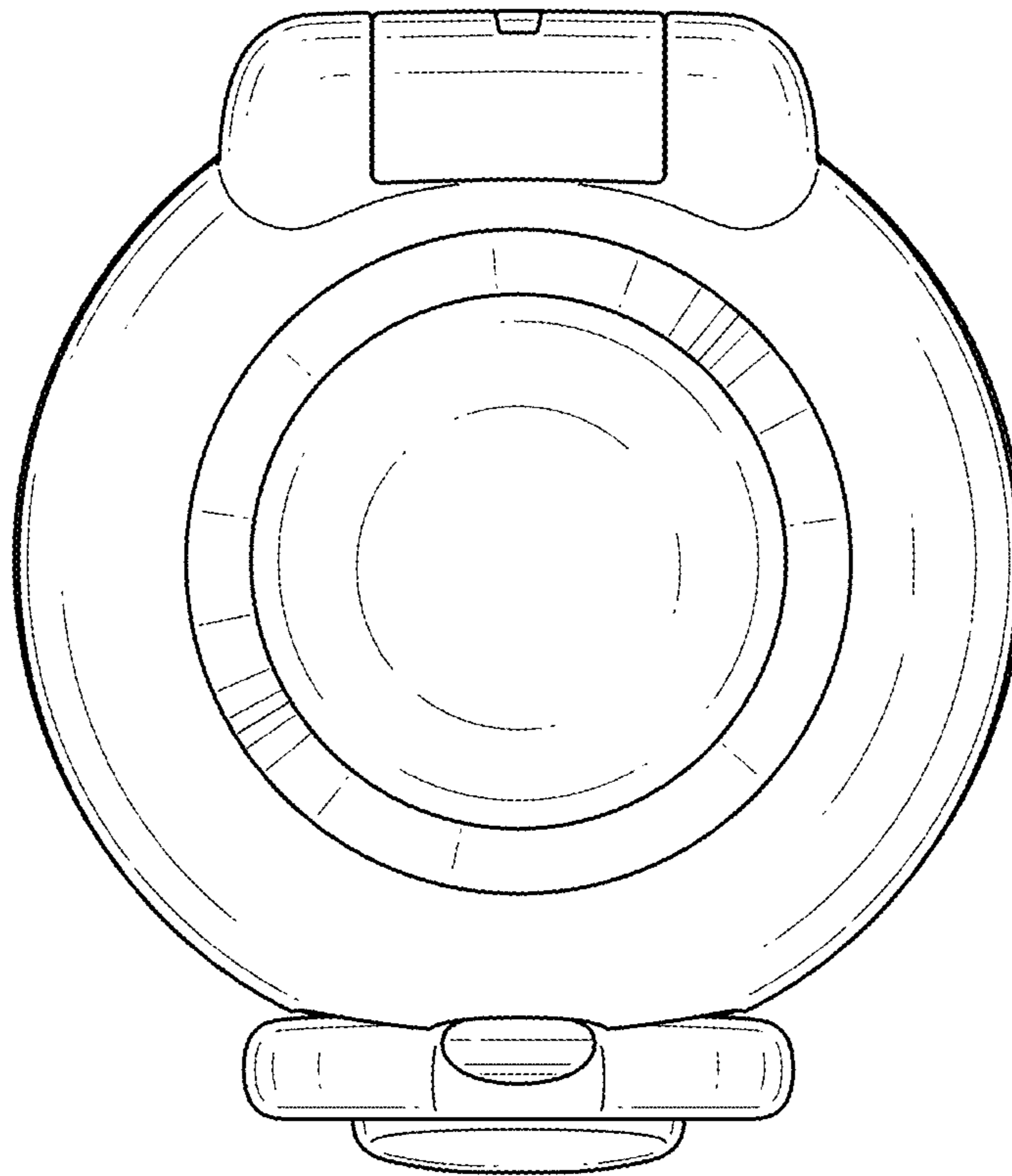




FIG. 7

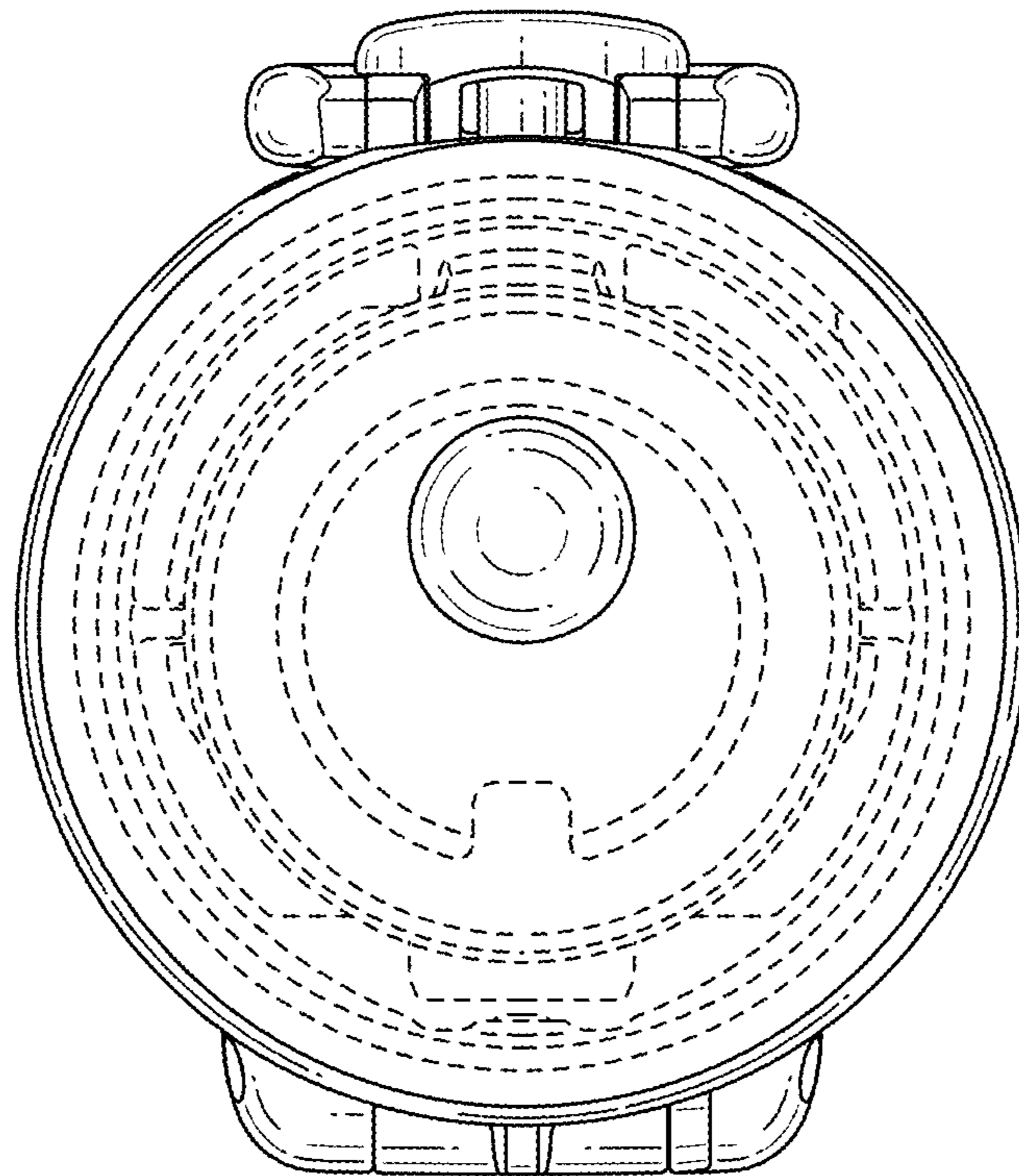


FIG. 8

