



US00D818766S

(12) **United States Design Patent** (10) **Patent No.:** **US D818,766 S**  
**Xie** (45) **Date of Patent:** **\*\* May 29, 2018**

(54) **JAR LID FOR FERMENTING**  
(71) Applicant: **Wuping Xie**, Shenzhen (CN)  
(72) Inventor: **Wuping Xie**, Shenzhen (CN)  
(\*\*) Term: **15 Years**  
(21) Appl. No.: **29/607,357**  
(22) Filed: **Jun. 13, 2017**

D508,188 S \* 8/2005 Zettle ..... D7/615  
D517,322 S \* 3/2006 Zettle ..... D3/323  
D543,108 S \* 5/2007 Reed ..... D9/453  
7,270,959 B2 \* 9/2007 Hudak ..... B01L 3/502  
422/537  
D576,878 S \* 9/2008 Brashear ..... D9/453  
D642,919 S \* 8/2011 Taylor ..... D9/453  
D673,047 S \* 12/2012 Stamper ..... D9/453  
D681,464 S \* 5/2013 Taylor ..... D9/453  
D687,709 S \* 8/2013 Taylor ..... D9/453  
D699,571 S \* 2/2014 Zomorodi ..... D9/435  
D805,837 S \* 12/2017 Hager ..... D7/392.1

(51) **LOC (11) Cl.** ..... **07-02**  
(52) **U.S. Cl.**  
USPC ..... **D7/391**

\* cited by examiner

(58) **Field of Classification Search**  
USPC ..... D3/323; D7/323, 354–363, 391, 392.1,  
D7/393–396, 409, 629; D9/435, 453  
CPC ..... A47G 19/12; A47J 27/00; A47J 27/002;  
A47J 27/08; A47J 27/21; A47J 27/58;  
A47J 36/025; A47J 36/06; A47J 36/12;  
A47J 37/00; A47J 37/10; A47J 37/101;  
A47J 37/103; A47J 37/12; A47J 37/1204;  
A47J 45/061; A47J 45/071; A47J 45/08;  
B01L 3/502; H05B 6/12  
See application file for complete search history.

*Primary Examiner* — Ricky Pham

(57) **CLAIM**

The ornamental design for a jar lid for fermenting, as shown.

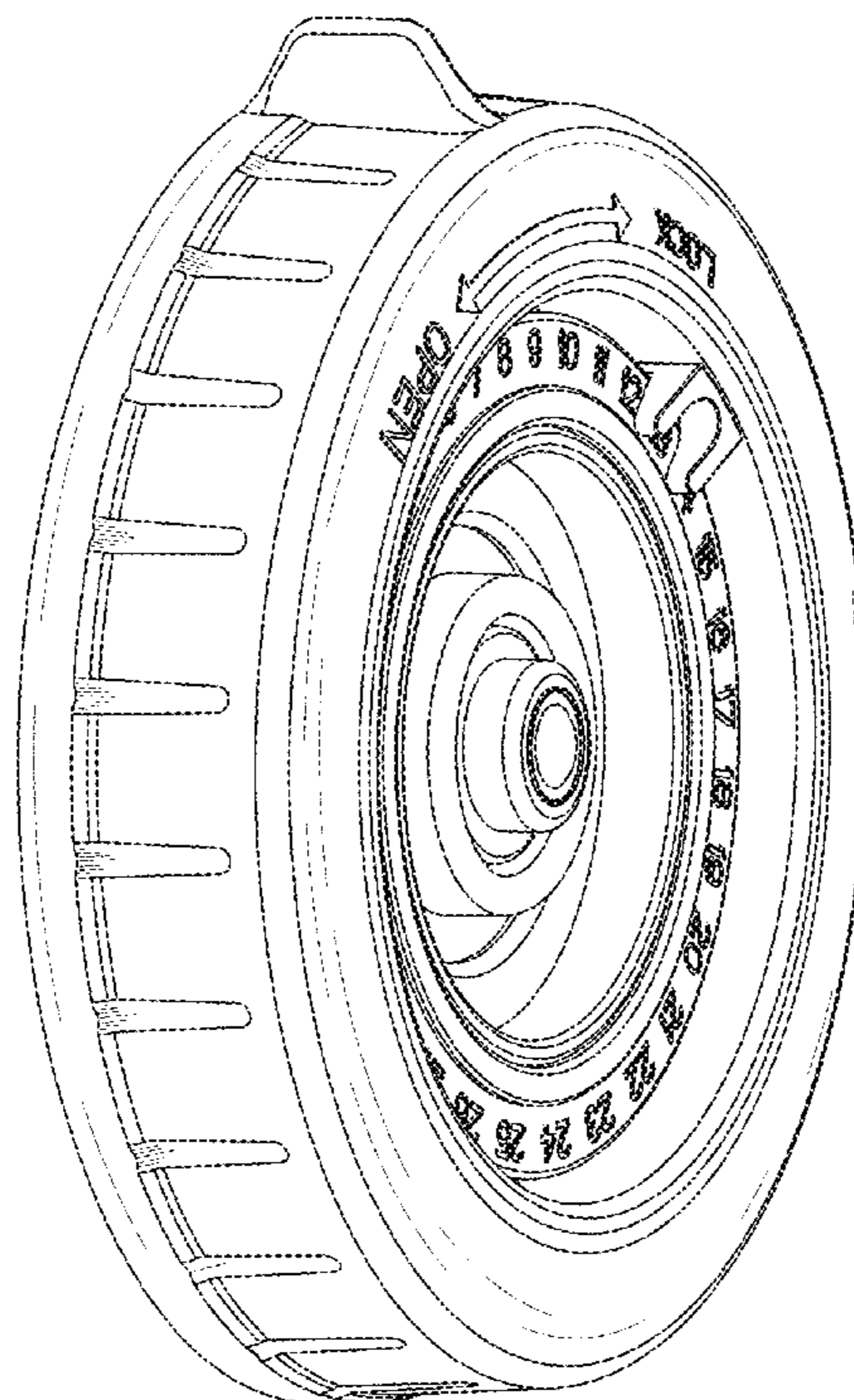
**DESCRIPTION**

FIG. 1 is a front elevational view of a jar lid for fermenting showing my new design;  
FIG. 2 is a rear elevational view thereof;  
FIG. 3 is a left side elevational view thereof;  
FIG. 4 is a right side elevational view thereof;  
FIG. 5 is a top plan view thereof;  
FIG. 6 is a bottom plan view thereof; and,  
FIG. 7 is a front perspective view thereof.

(56) **References Cited**  
U.S. PATENT DOCUMENTS

**1 Claim, 7 Drawing Sheets**

D292,380 S \* 10/1987 Smith ..... D9/435  
D318,804 S \* 8/1991 Ochs ..... D9/453



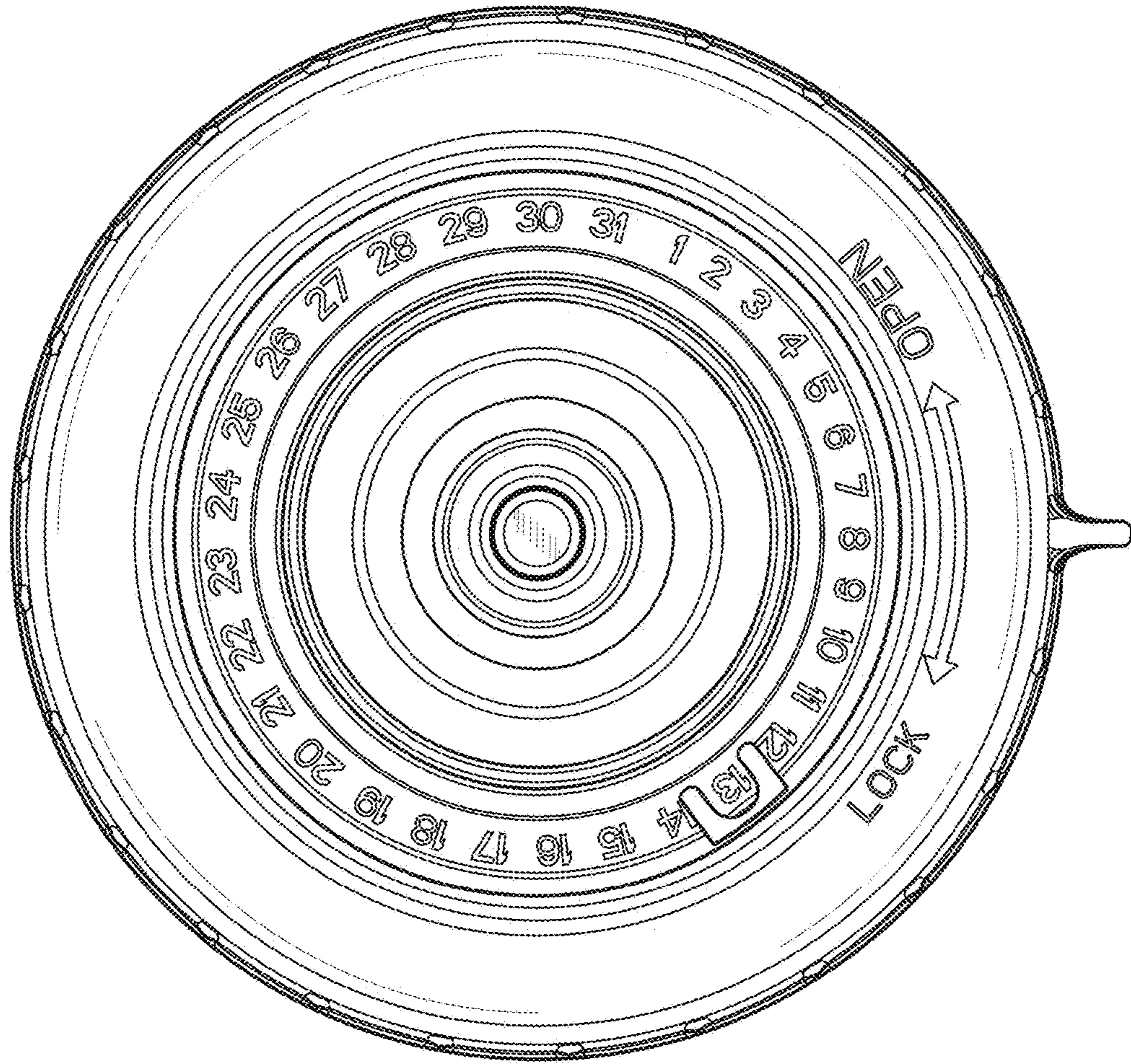


FIG.1



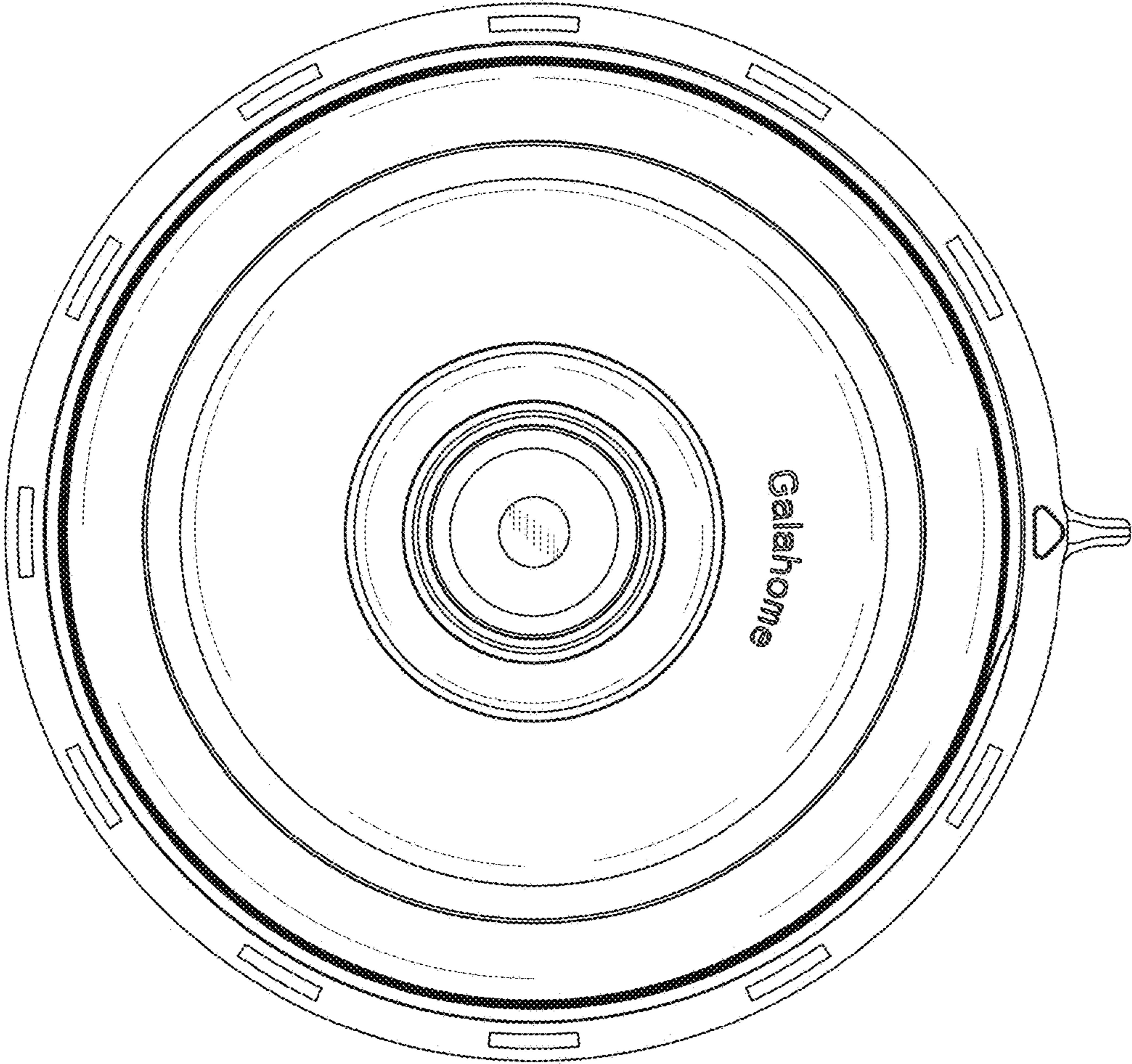


FIG.2

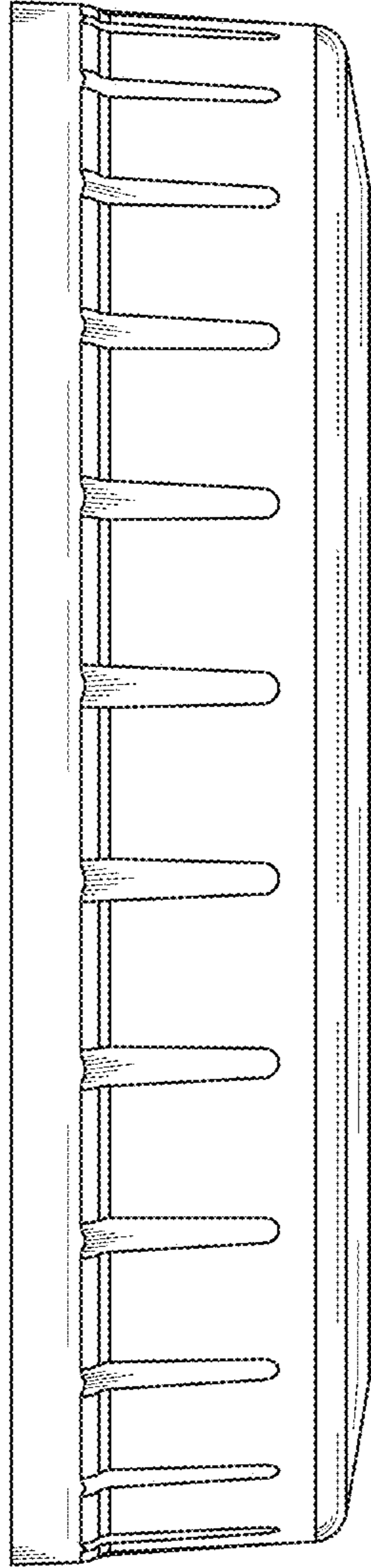


FIG. 3

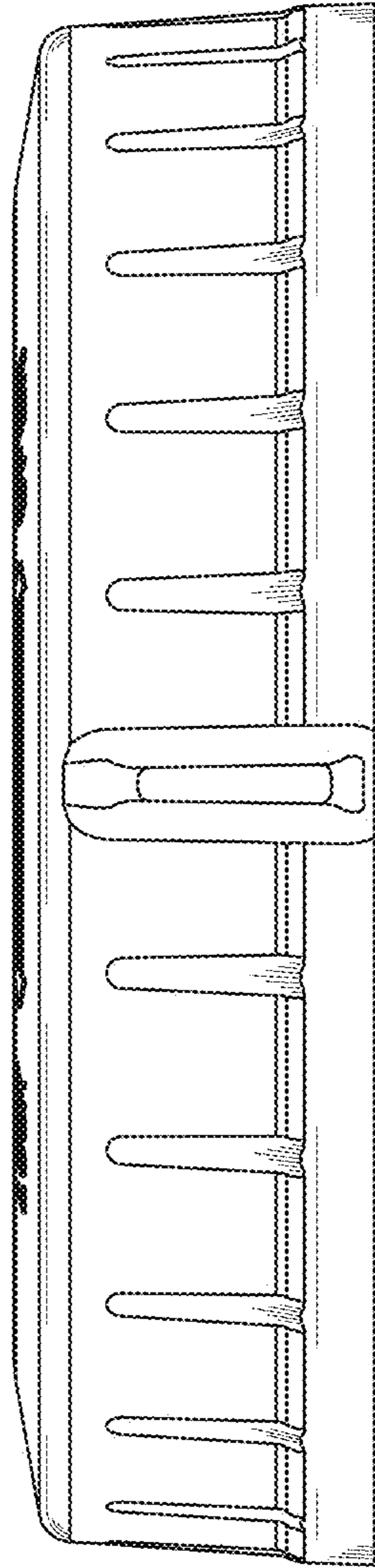


FIG. 4

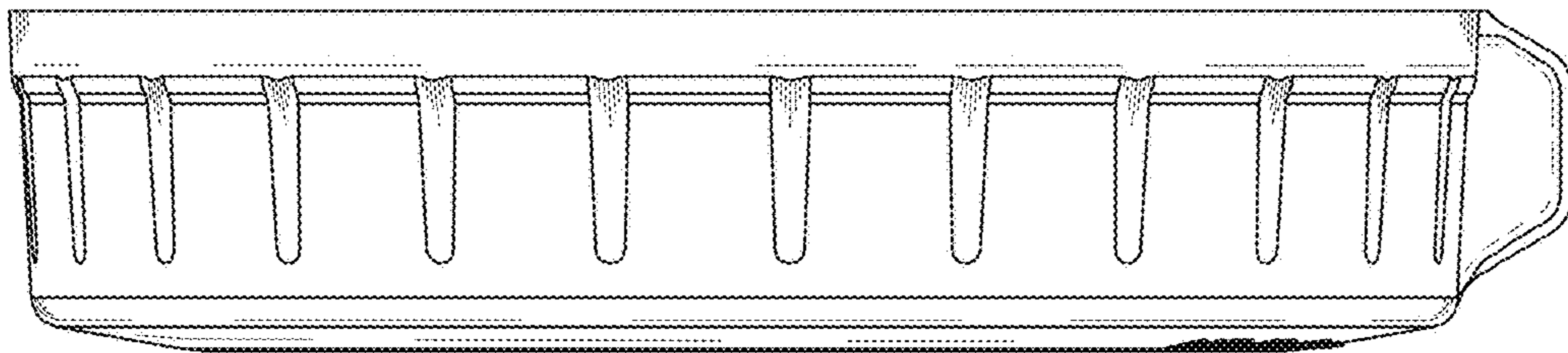


FIG.5

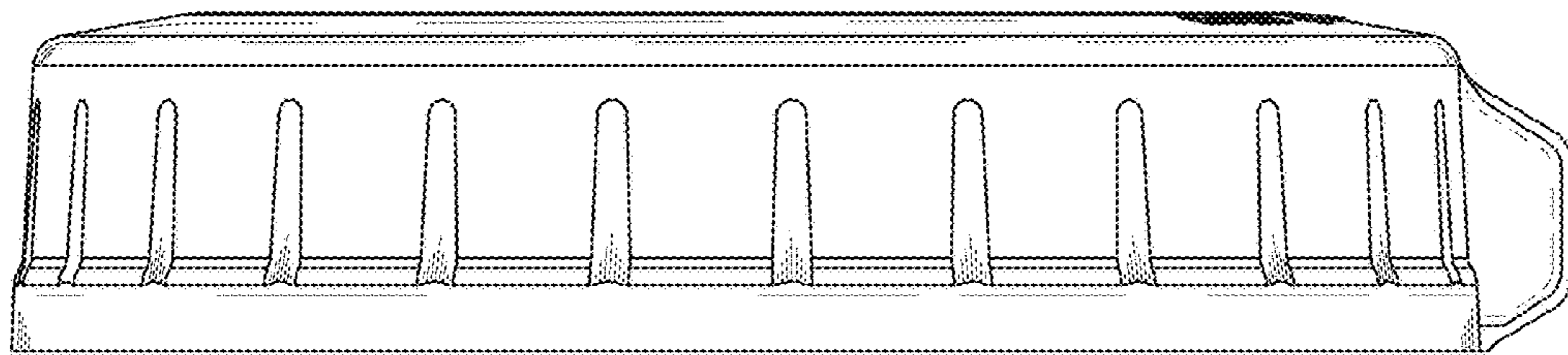


FIG.6



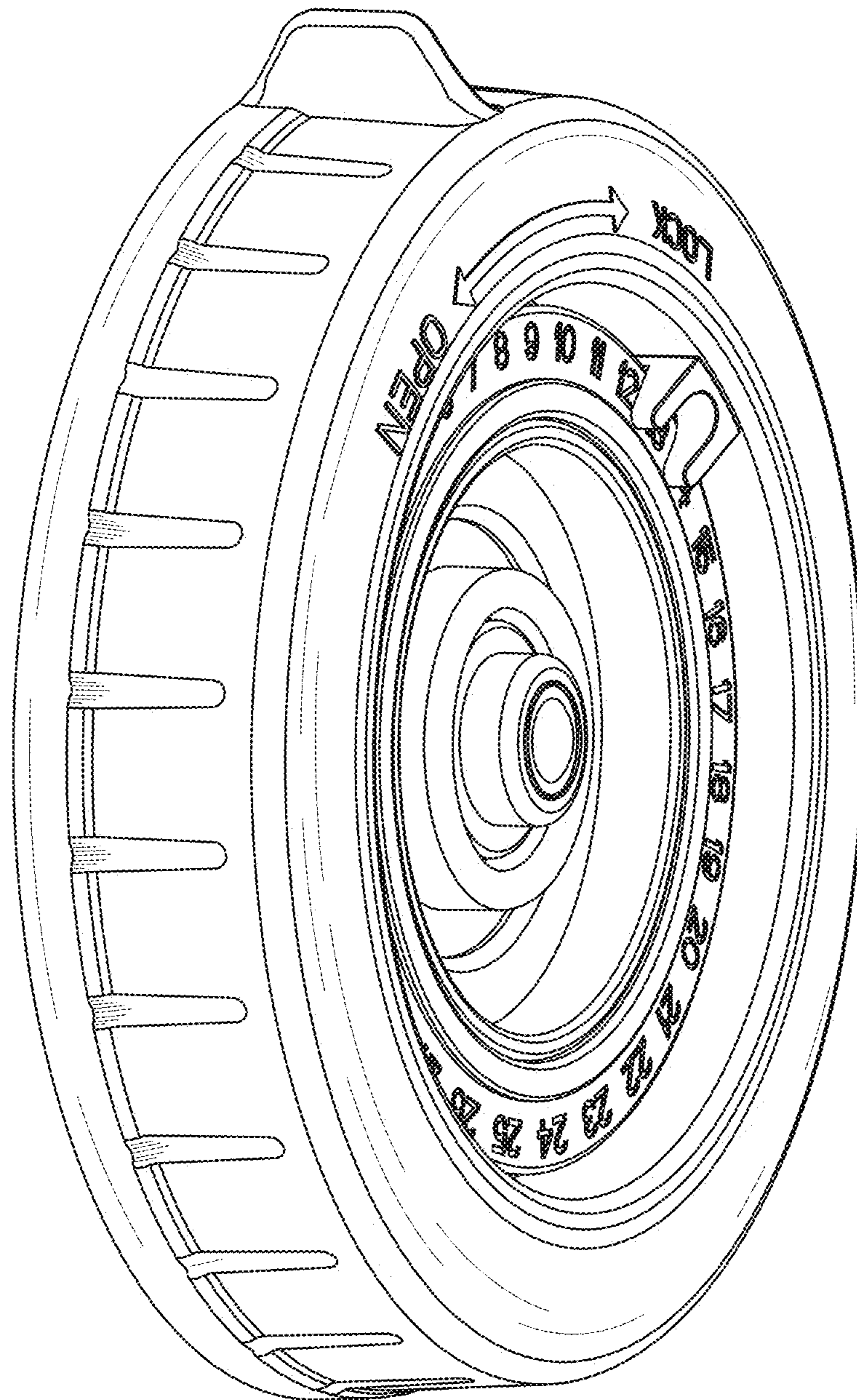


FIG. 7