



US00D818765S

(12) **United States Design Patent**
Ulanski et al.

(10) **Patent No.:** **US D818,765 S**

(45) **Date of Patent:** **** May 29, 2018**

(54) **CONTAINER LID**

43/02; B65D 43/08; B65D 43/04; B65D
47/2037; B65D 45/20; B65D 41/00;
F25D 3/08

(71) Applicant: **VITA-MIX MANAGEMENT
CORPORATION**, Olmsted Township,
OH (US)

See application file for complete search history.

(72) Inventors: **Robert Ulanski**, Broadview Hts, OH
(US); **Mark Miller**, Olmsted Township,
OH (US); **Jack Warren Gee, II**,
Willoughby, OH (US); **Phonesacksith
Guy Kettavong**, Medina, OH (US)

(56) **References Cited**

U.S. PATENT DOCUMENTS

D345,488 S * 3/1994 Barnard D7/387
D373,704 S * 9/1996 Doxey D7/391
D412,639 S * 8/1999 Demore D7/391
D419,368 S * 1/2000 Geelen D7/391

(Continued)

(73) Assignee: **VITA-MIX MANAGEMENT
CORPORATION**, Olmsted Township,
OH (US)

OTHER PUBLICATIONS

Vitamix Plug: Announced Jan. 7, 2013 [online]. Site Visited [Jan. 5,
2018]. Available from Internet URL: [https://www.amazon.com/
product-reviews/B0028Y4CTQ/
ref=cm_cr_ar_p_d_paging_btm_15?ie=UTF8
&reviewerType=all_reviews&pageNumber=15.*](https://www.amazon.com/product-reviews/B0028Y4CTQ/ref=cm_cr_ar_p_d_paging_btm_15?ie=UTF8&reviewerType=all_reviews&pageNumber=15)

(Continued)

(**) Term: **15 Years**

Primary Examiner — Jennifer Rivard

Assistant Examiner — Catherine S Posthauer

(21) Appl. No.: **29/557,036**

(22) Filed: **Mar. 4, 2016**

(74) *Attorney, Agent, or Firm* — McDonald Hopkins LLC

(51) **LOC (11) Cl.** **07-01**

(52) **U.S. Cl.**
USPC **D7/391**

(58) **Field of Classification Search**

USPC D3/272, 273, 274–276, 279, 282, 232,
D3/302, 201, 294, 318; D7/300, 306,
D7/325, 387, 392, 360, 392.1, 393, 396.2,
D7/396.3, 396.4, 507, 509–511, 538, 542,
D7/558, 605, 608, 629, 900, 318,
D7/354–363, 391–396, 402, 407, 528,
D7/541–543, 601, 602, 610;
D9/434–447, 449, 504, 780, 414,
D9/424–432, 435, 438, 451–452, 418,
D9/420–432, 443; D23/206, 249, 259,
D23/260, 261, 262, 303
CPC A47J 41/00; A47J 36/06; A47J 43/0716;
A47J 43/0727; A47J 43/046; A47J 36/10;
A47J 36/36; A47J 37/1209; A47J 27/04;
A47J 45/062; A47G 21/18; B65D 39/08;
B65D 43/022; B65D 43/021; B65D
55/16; B65D 25/28; B65D 25/32; B65D

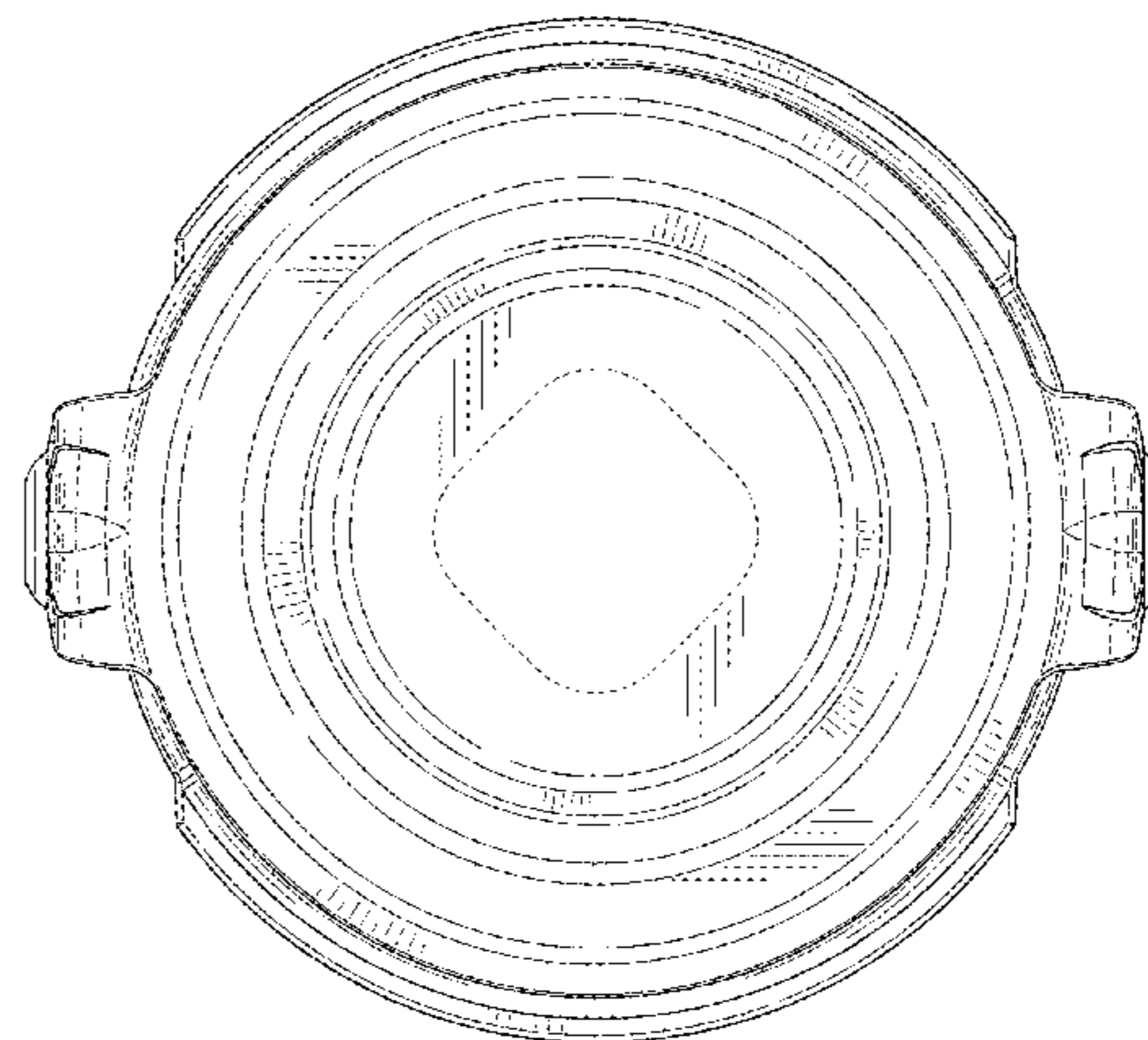
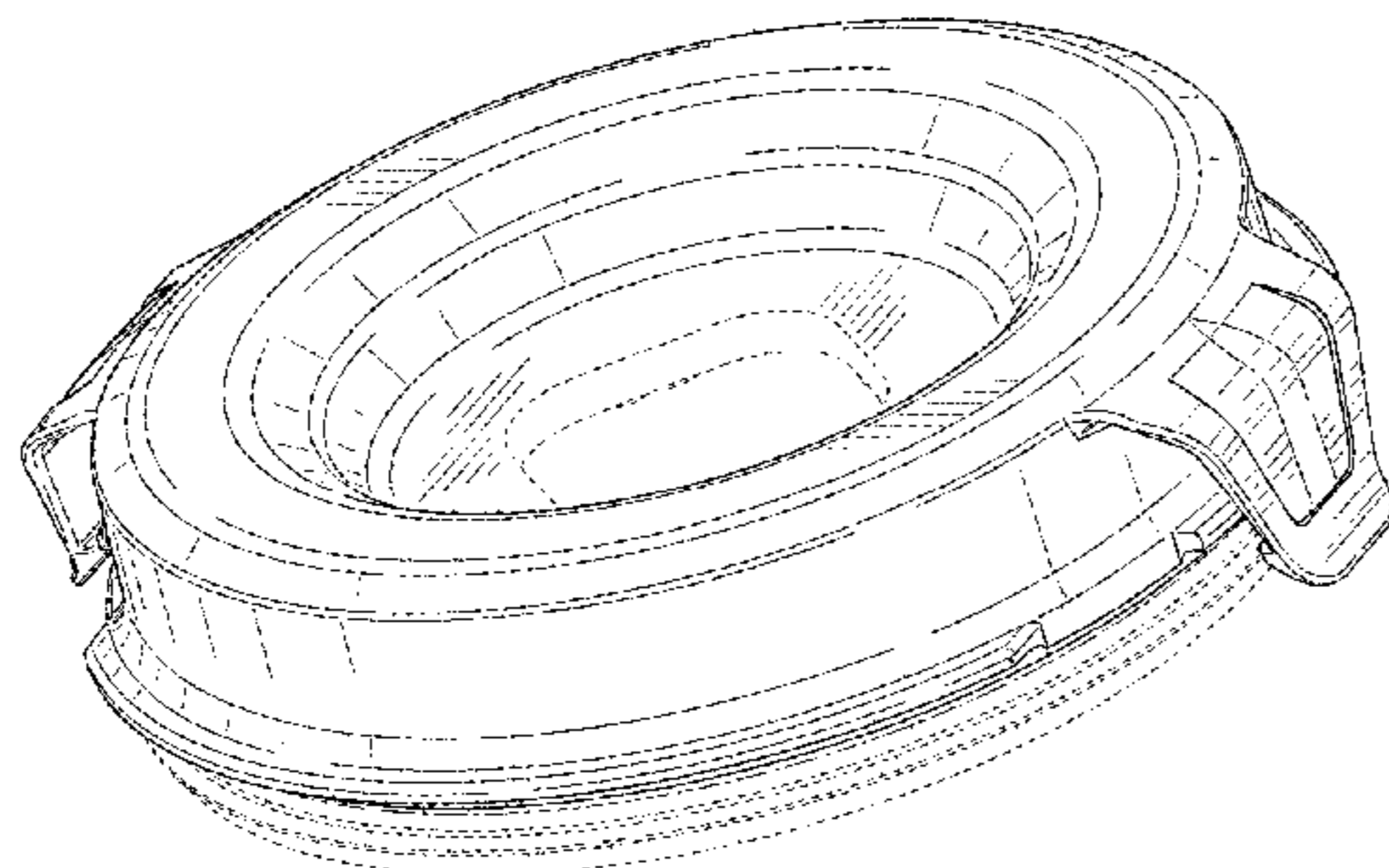
(57) **CLAIM**

The ornamental design for a container lid, as shown and
described.

DESCRIPTION

FIG. 1 is a perspective view of a container lid showing my
new design;
FIG. 2 is a front side view thereof;
FIG. 3 is a back side view thereof;
FIG. 4 is a first side view thereof;
FIG. 5 is a second side view thereof;
FIG. 6 is a top view thereof; and,
FIG. 7 is a bottom view thereof.

(Continued)



The evenly broken lines are shown for the purpose of illustrating parts of the article that form no part of the claim. The dot-dash lines represent the boundaries of the claim and form no part thereof.

1 Claim, 4 Drawing Sheets

(56)

References Cited

U.S. PATENT DOCUMENTS

D419,370 S * 1/2000 Busick D7/392
 D419,371 S * 1/2000 Haley D7/392.1
 D445,650 S * 7/2001 Maxwell D7/629
 D459,147 S * 6/2002 Candianides D7/391
 D480,264 S * 10/2003 de Groote D7/392.1
 D480,915 S 10/2003 Kolar et al.
 D488,031 S * 4/2004 Kim D7/629
 D495,925 S * 9/2004 Ulanski D7/412
 D496,556 S * 9/2004 Skrocki D7/391
 D497,548 S * 10/2004 Nordland D9/425
 6,817,750 B1 * 11/2004 Sands A47J 19/027
 366/205
 D526,839 S * 8/2006 Boozer D7/392
 D536,922 S * 2/2007 Roth D7/391
 D555,983 S * 11/2007 Tucker D7/542
 D564,878 S * 3/2008 Baughman D9/438
 D567,584 S * 4/2008 Boozer D7/413
 D575,115 S * 8/2008 Zimmerman D7/629
 D577,545 S * 9/2008 Ulanski D7/391
 D587,526 S 3/2009 Barnard et al.
 D588,406 S 3/2009 Ulanski et al.
 D592,454 S * 5/2009 Boozer D7/412
 D606,813 S * 12/2009 Kim D7/629
 D612,196 S * 3/2010 Furlong D7/392.1
 D621,656 S 8/2010 Ulanski et al.
 D631,708 S * 2/2011 Smyers D7/629
 D633,757 S * 3/2011 Smyers D7/629
 D636,641 S * 4/2011 Smyers D7/629
 D636,674 S * 4/2011 Golota D9/452
 D641,206 S * 7/2011 Heiberg D7/378
 D641,207 S * 7/2011 Backaert D7/391
 D647,358 S * 10/2011 Smyers D7/391
 D647,360 S * 10/2011 Smyers D7/391
 D651,475 S * 1/2012 Lindsay D7/629

D651,478 S * 1/2012 Nie D7/629
 D653,902 S * 2/2012 Chen D7/354
 8,147,125 B2 * 4/2012 Boozer A47J 43/0716
 366/347
 D660,658 S * 5/2012 Kyung D7/629
 D661,547 S * 6/2012 Brinckerhoff D7/376
 D662,359 S 6/2012 Boozer et al.
 D677,117 S * 3/2013 Smyers D7/391
 D678,727 S 3/2013 Kolar et al.
 D687,709 S * 8/2013 Taylor D9/453
 8,529,120 B2 9/2013 Ulanski et al.
 D694,589 S * 12/2013 Duvigneau D7/629
 D700,473 S * 3/2014 Duvigneau D7/391
 D701,700 S * 4/2014 Abdi D3/318
 8,814,011 B2 8/2014 Ulanski et al.
 D714,101 S * 9/2014 Gartz B65D 85/36
 D7/610
 D752,915 S * 4/2016 Castriota D7/354
 D759,425 S * 6/2016 Castriota D7/354
 D772,002 S * 11/2016 Affatato D7/354
 D784,072 S * 4/2017 Baron D7/392.1
 D804,241 S * 12/2017 Gordon D7/392.1
 D804,890 S * 12/2017 Benoit D7/354
 2004/0020929 A1 * 2/2004 Morris B65D 21/0219
 220/288
 2006/0186014 A1 * 8/2006 Ramanujam B65D 21/0223
 206/508
 2006/0261066 A1 * 11/2006 Boozer A47J 36/10
 220/254.7
 2012/0024856 A1 * 2/2012 Smyers A47G 19/02
 220/324
 2015/0060459 A1 * 3/2015 Wu B65D 43/0212
 220/361
 2015/0265983 A1 9/2015 Fleming et al.

OTHER PUBLICATIONS

Mighty Nest Glass Wean Bowl: Announced Mar. 28, 2015 [online]. Site visited Jan. 5, 2017. Available from Internet URL: <https://mightynest.com/shop/baby-toddler/feeding-nursing/dishes-food-storage/baby-feeding-starter-set>.
 Stackable Glass Containers: Announced Mar. 23, 2016 [online]. Site Visited [Jan. 5, 2017]. Available from Internet URL: <https://www.wayfair.com/kitchen-tabletop/pdp/rebrilliant-stackable-glass-5-container-food-storage-set-rebr1832.html>.

* cited by examiner

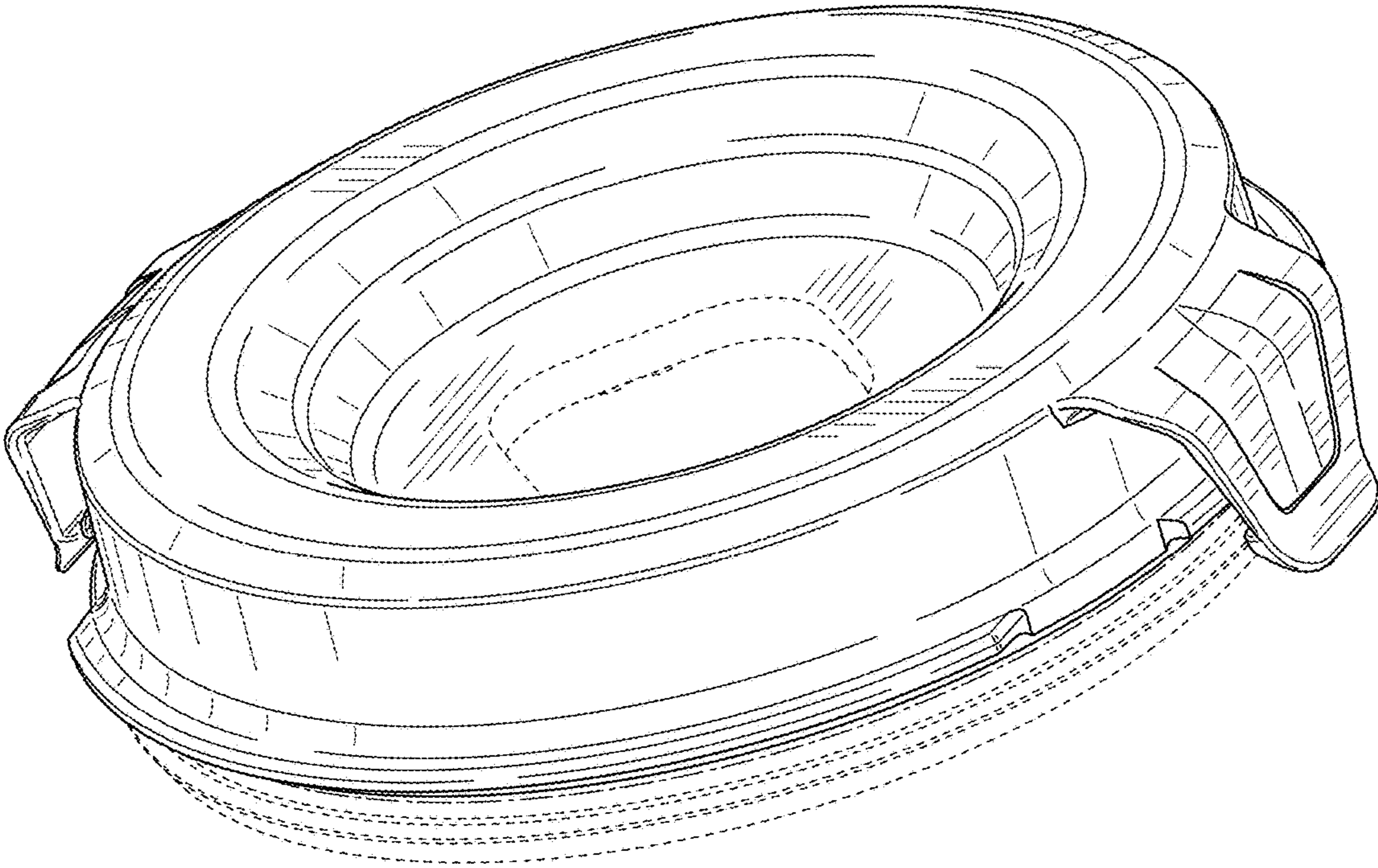


FIG. 1

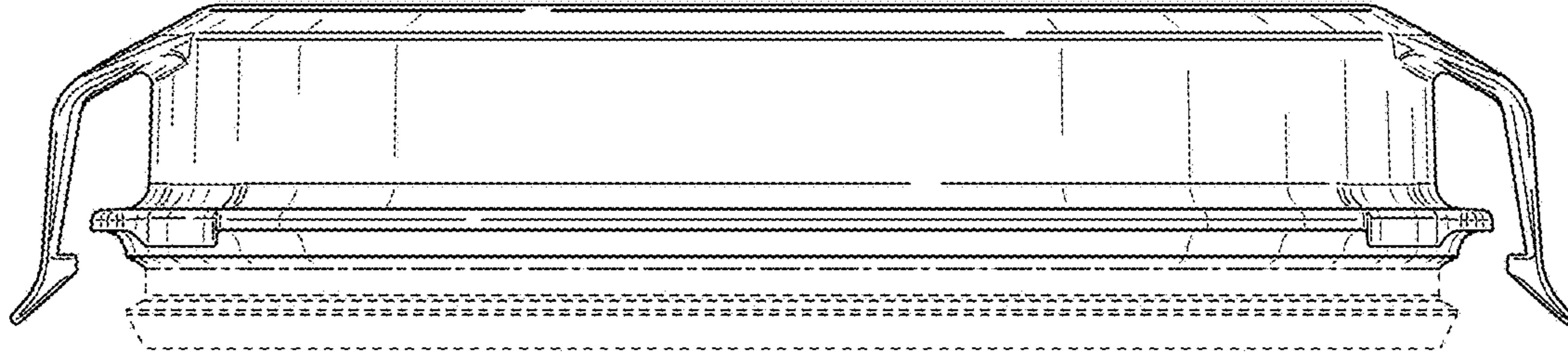


FIG. 2

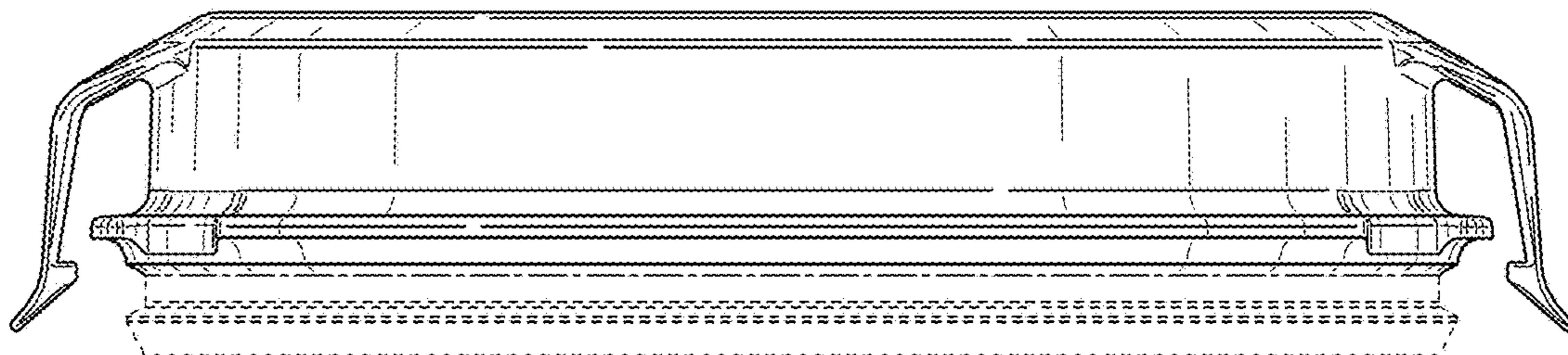


FIG. 3

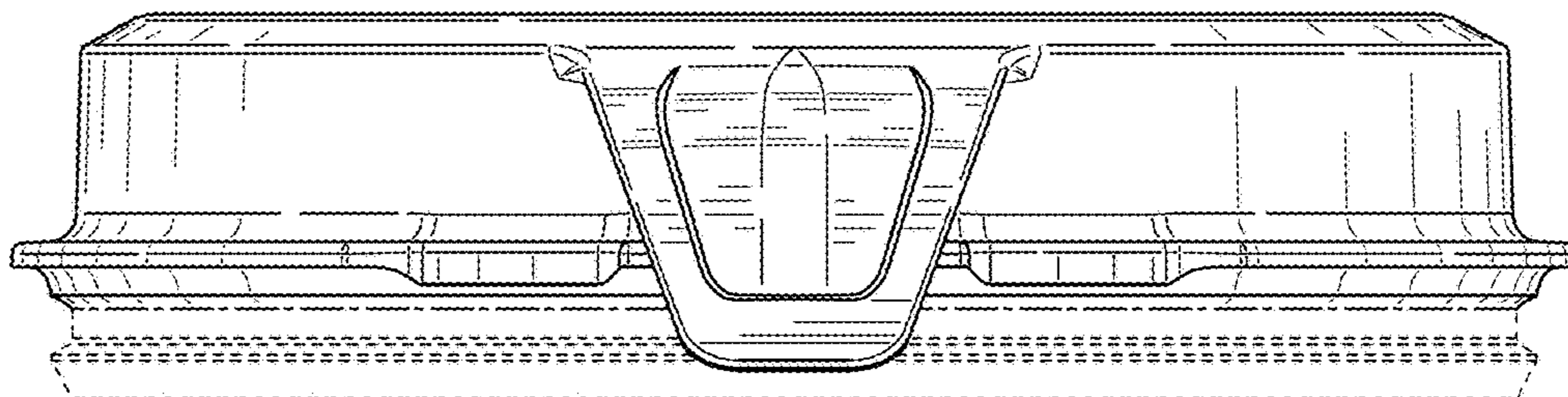


FIG. 4

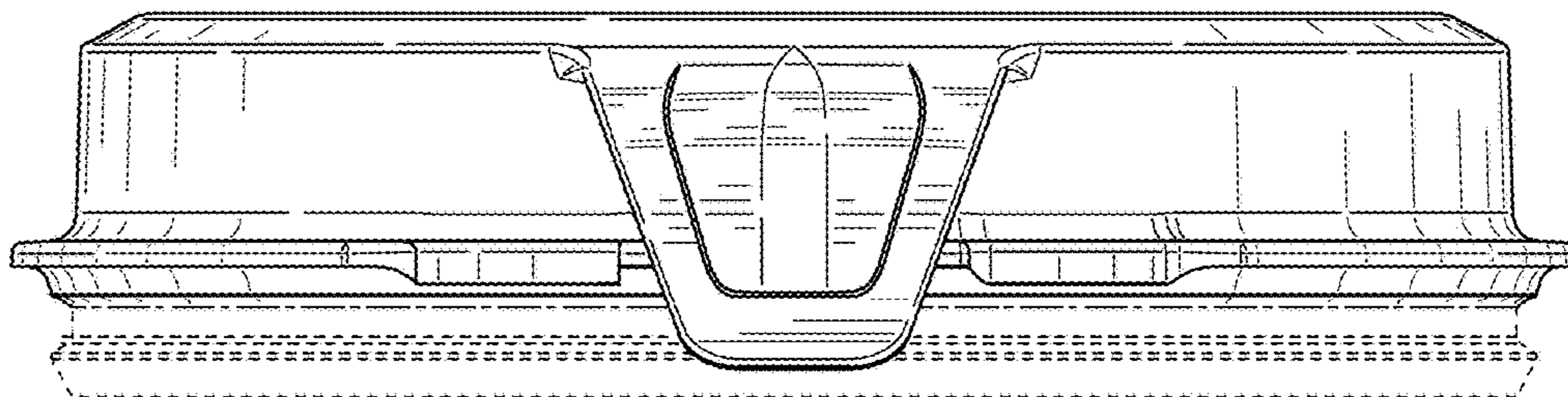


FIG. 5

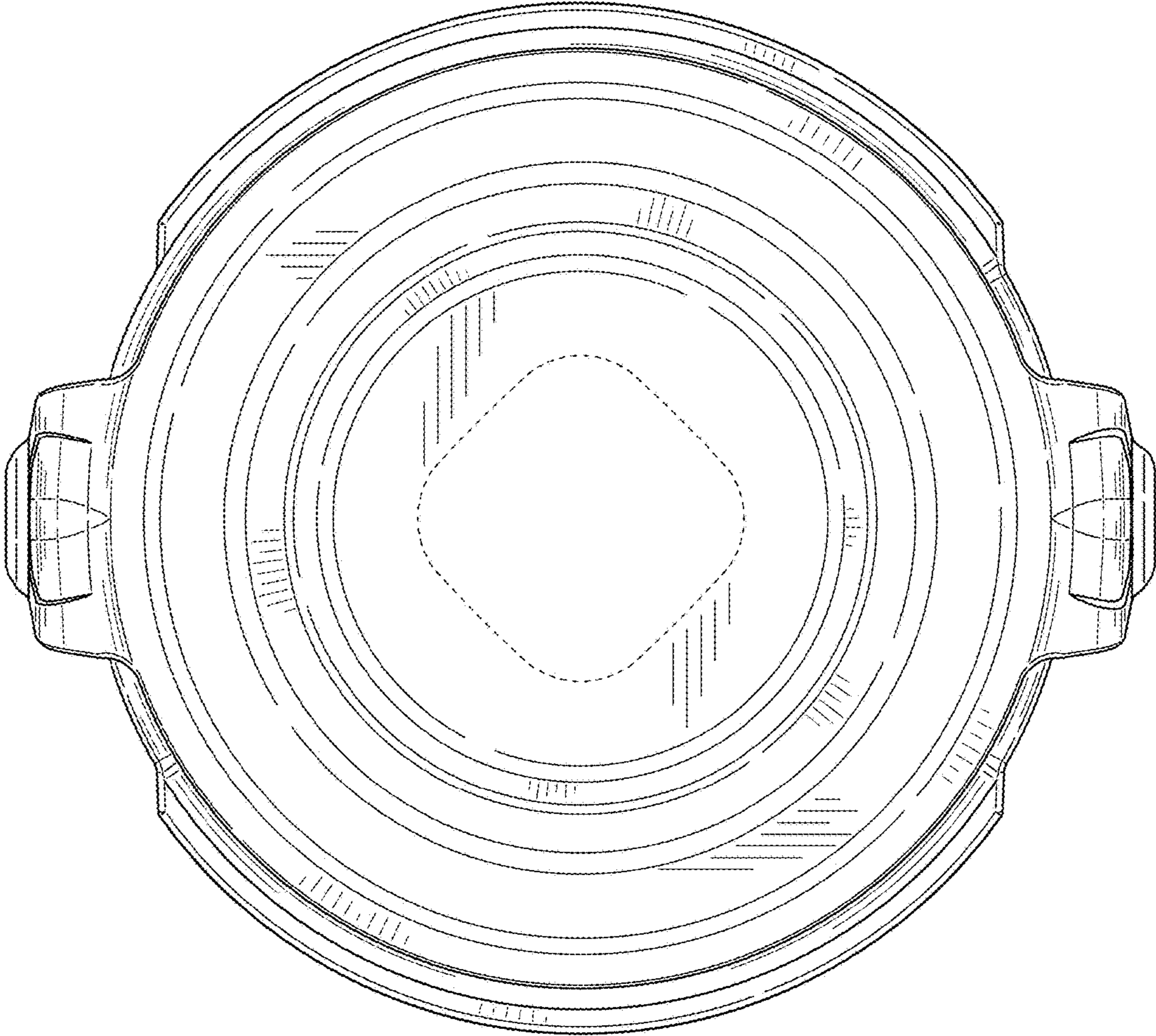


FIG. 6

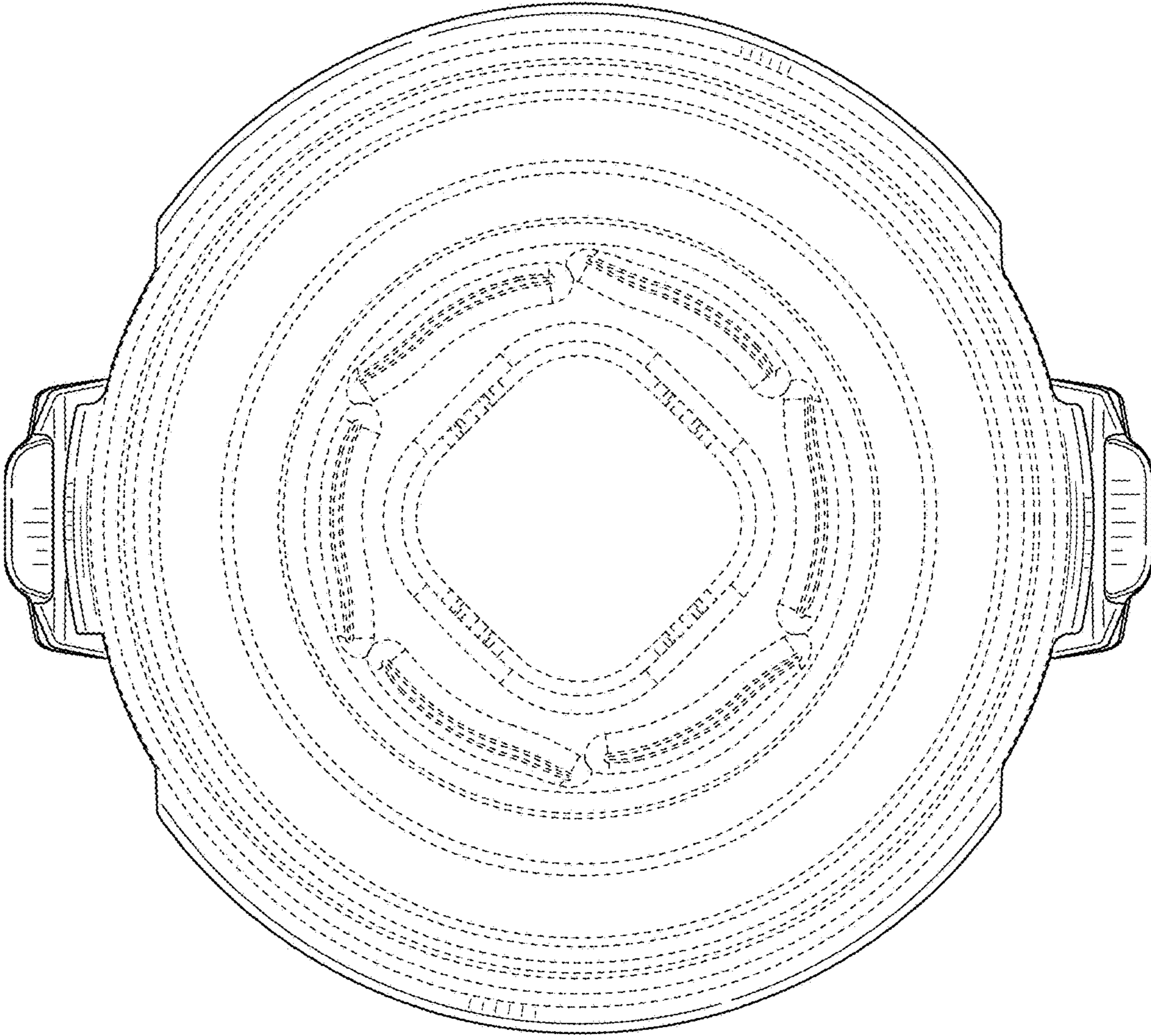


FIG. 7