



US00D818764S

(12) **United States Design Patent** (10) **Patent No.:** **US D818,764 S**
Wang (45) **Date of Patent:** **** May 29, 2018**

- (54) **MIXER**
- (71) Applicant: **FENGHUA FOUNTER FOOD MACHINERY CO., LTD.**, Fenghua, Zhejiang (CN)
- (72) Inventor: **Youjun Wang**, Zhejiang (CN)
- (73) Assignee: **Fenghua Founter Food Machinery Co., Ltd.** (CN)
- (**) Term: **15 Years**
- (21) Appl. No.: **29/597,809**
- (22) Filed: **Mar. 20, 2017**
- (51) **LOC (11) Cl.** **31-00**
- (52) **U.S. Cl.**
USPC **D7/379**
- (58) **Field of Classification Search**
USPC D7/316, 323, 368, 372.373, 376, D7/378-384, 386, 390, 393, 403, 412, D7/602, 624, 626, 629, 665-666, 675, D7/679, 693-694
CPC A47J 43/00; A47J 43/0722; A47J 43/0727; A47J 43/075; A47J 43/046; A47J 43/044; A47J 43/06; A47J 43/07; A21C 1/04; A21C 1/02; A23N 1/00
See application file for complete search history.

- D582,203 S * 12/2008 Short D7/376
- D583,189 S * 12/2008 Short D7/376
- D583,618 S * 12/2008 Blackburn D7/376
- D603,214 S * 11/2009 Huang D7/376
- D631,691 S * 2/2011 Liu D7/376
- D632,908 S * 2/2011 Tincher D6/513
- 8,182,135 B2 * 5/2012 Blackburn B01F 7/1605
366/207
- D683,578 S * 6/2013 Nordwall D7/376
- 2002/0093877 A1 * 7/2002 Brunswick A21C 1/02
366/206
- 2002/0181322 A1 * 12/2002 Brunswick A47J 43/0705
366/197
- 2004/0022124 A1 * 2/2004 Yoshioka A47J 43/0705
366/347
- 2004/0208082 A1 * 10/2004 Huang A21C 1/02
366/206

(56) **References Cited**

U.S. PATENT DOCUMENTS

- 5,348,393 A * 9/1994 Pappas, Jr. B01F 7/1605
366/207
- 5,472,276 A * 12/1995 Ratermann A21C 1/02
366/203
- D371,275 S * 7/1996 Fouquet D7/376
- 5,533,806 A * 7/1996 Veltrop B01F 7/1605
366/206
- 5,860,738 A * 1/1999 Brinkman A21C 1/02
248/231.41
- D459,145 S * 6/2002 Short D7/379
- D482,564 S * 11/2003 Short D7/379

OTHER PUBLICATIONS

“Eurodib Motion Dough Mixer”, posted Dec. 9, 2012 [online], [retrieved Mar. 26, 2018]. Retrieved from internet, https://www.amazon.com/Eurodib-M20ETL-Quart-Planetary-Motion/product-reviews/B0004AEYNQ/ref=cm_cr_ar_p_d_paging_btm_2?ie=UTF8&reviewerType=all_reviews&pageNumber=2.*

* cited by examiner

Primary Examiner — Barbara Fox
Assistant Examiner — Mehri F Bajoul

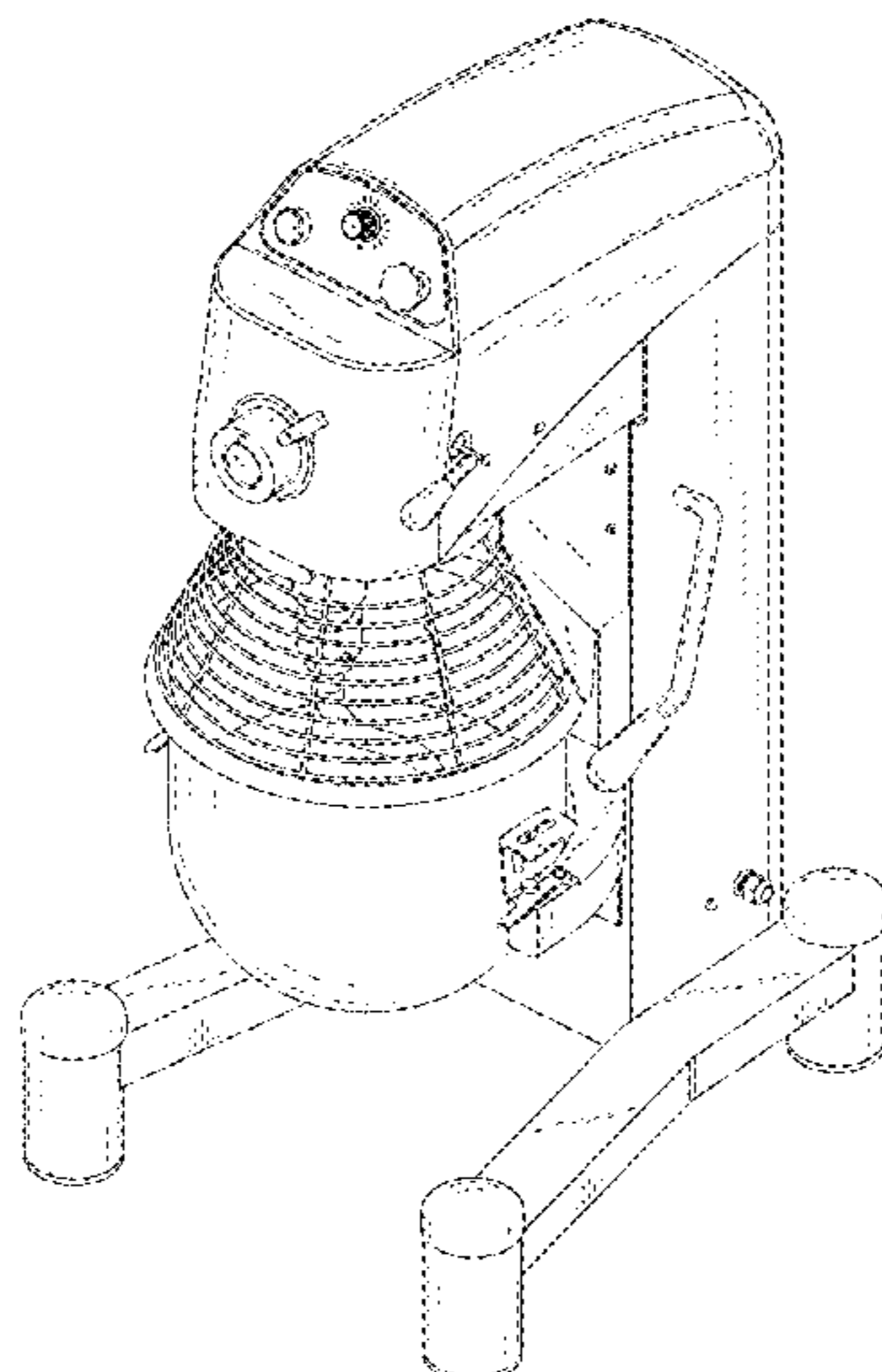
(57) **CLAIM**

The ornamental design for a mixer, as shown and described.

DESCRIPTION

FIG. 1 is front view of a mixer showing my new design; FIG. 2 is a back view thereof; FIG. 3 is a left side view thereof; FIG. 4 is a right side view thereof; FIG. 5 is a top view thereof; FIG. 6 is a bottom view thereof; and, FIG. 7 is a top perspective view thereof.

1 Claim, 7 Drawing Sheets



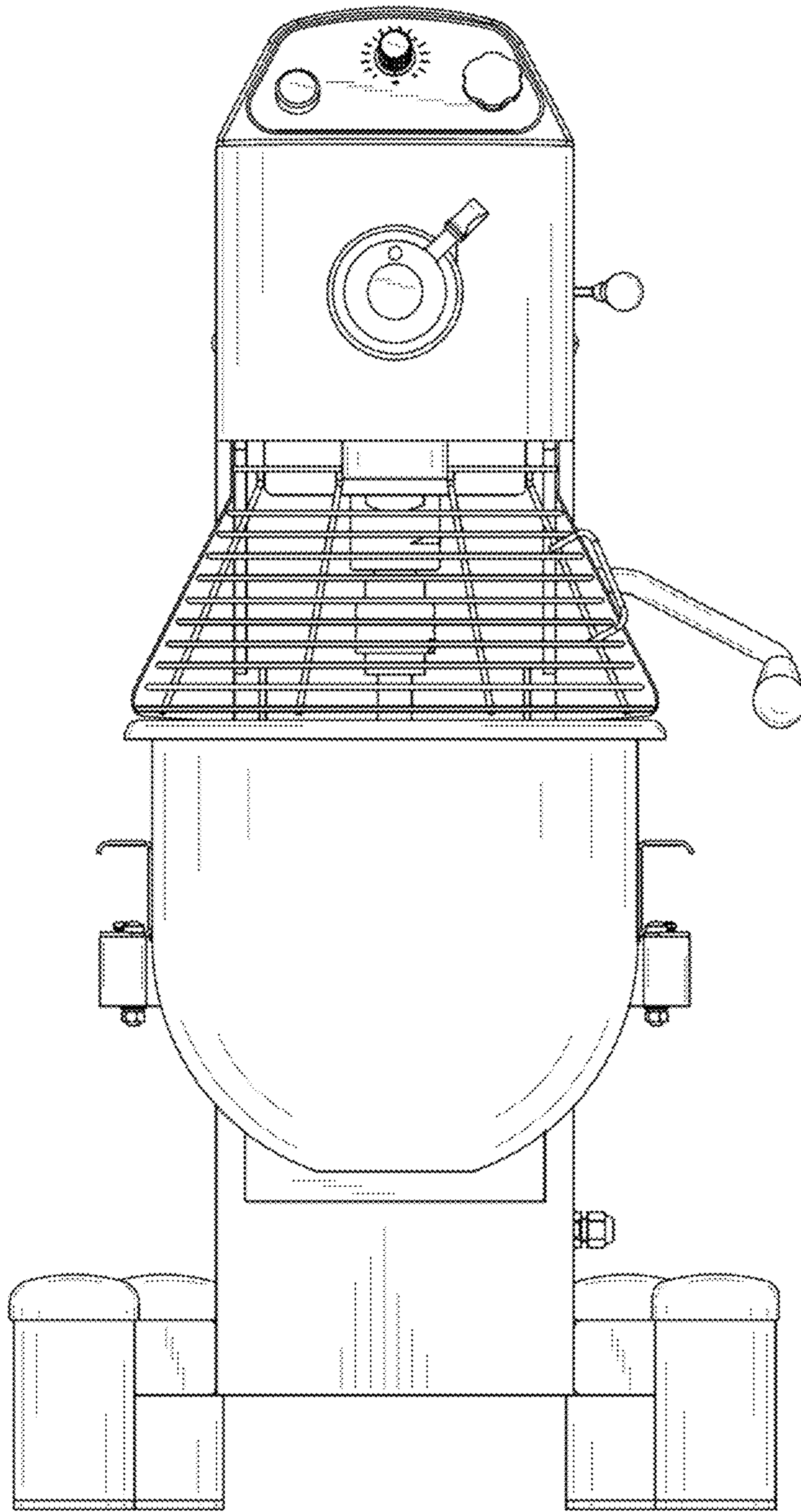


FIG. 1

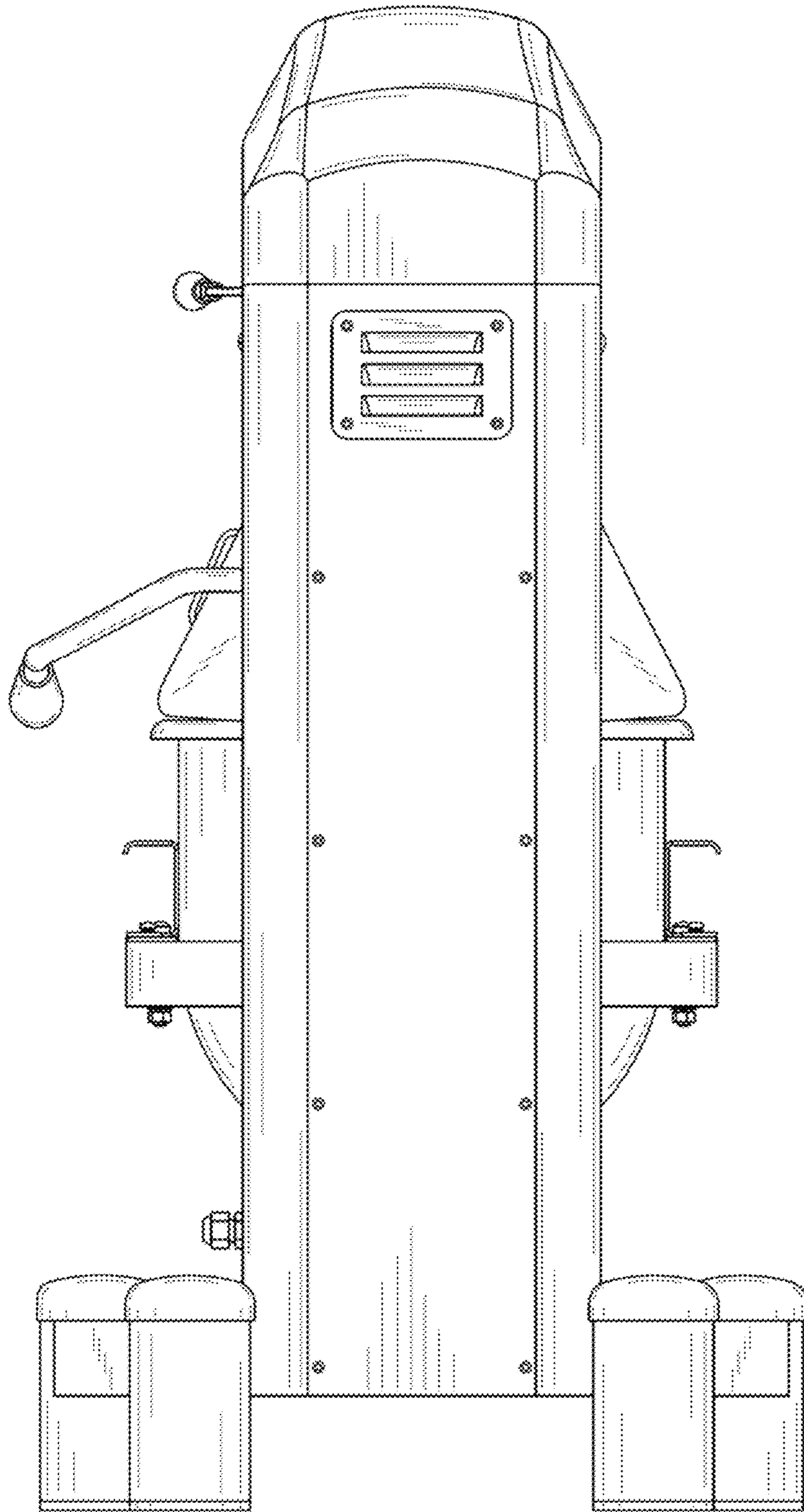


FIG.2

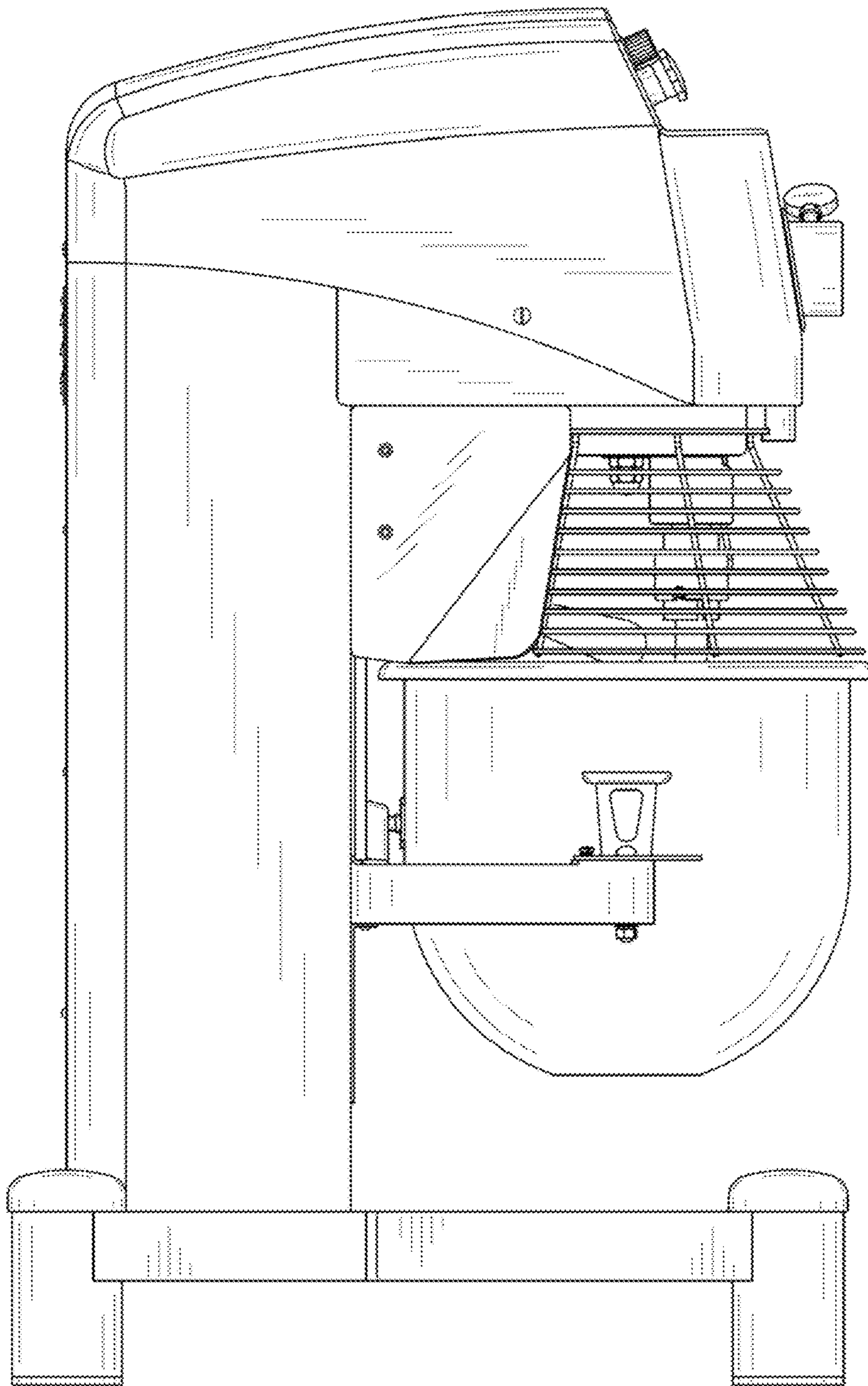


FIG.3

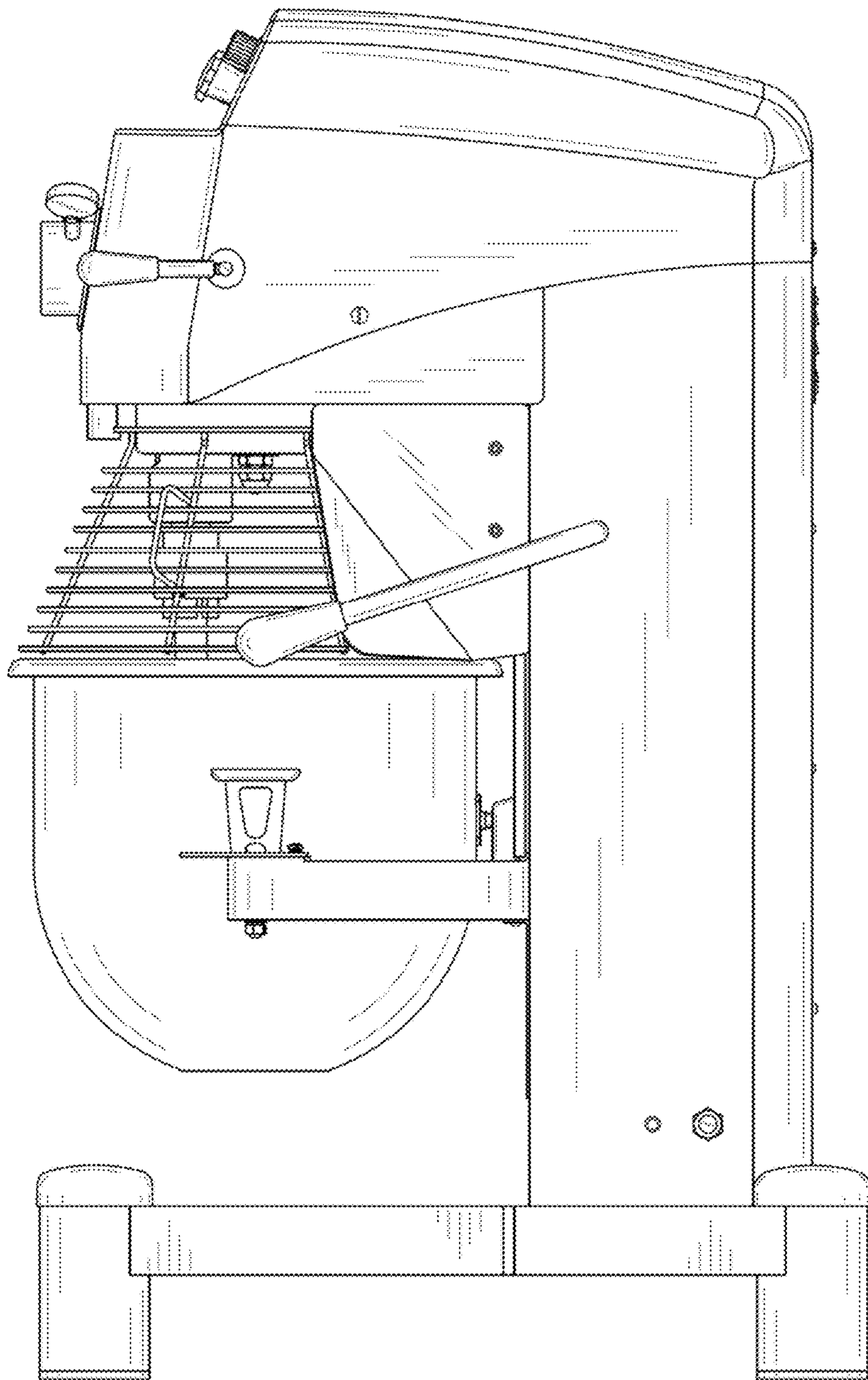


FIG.4

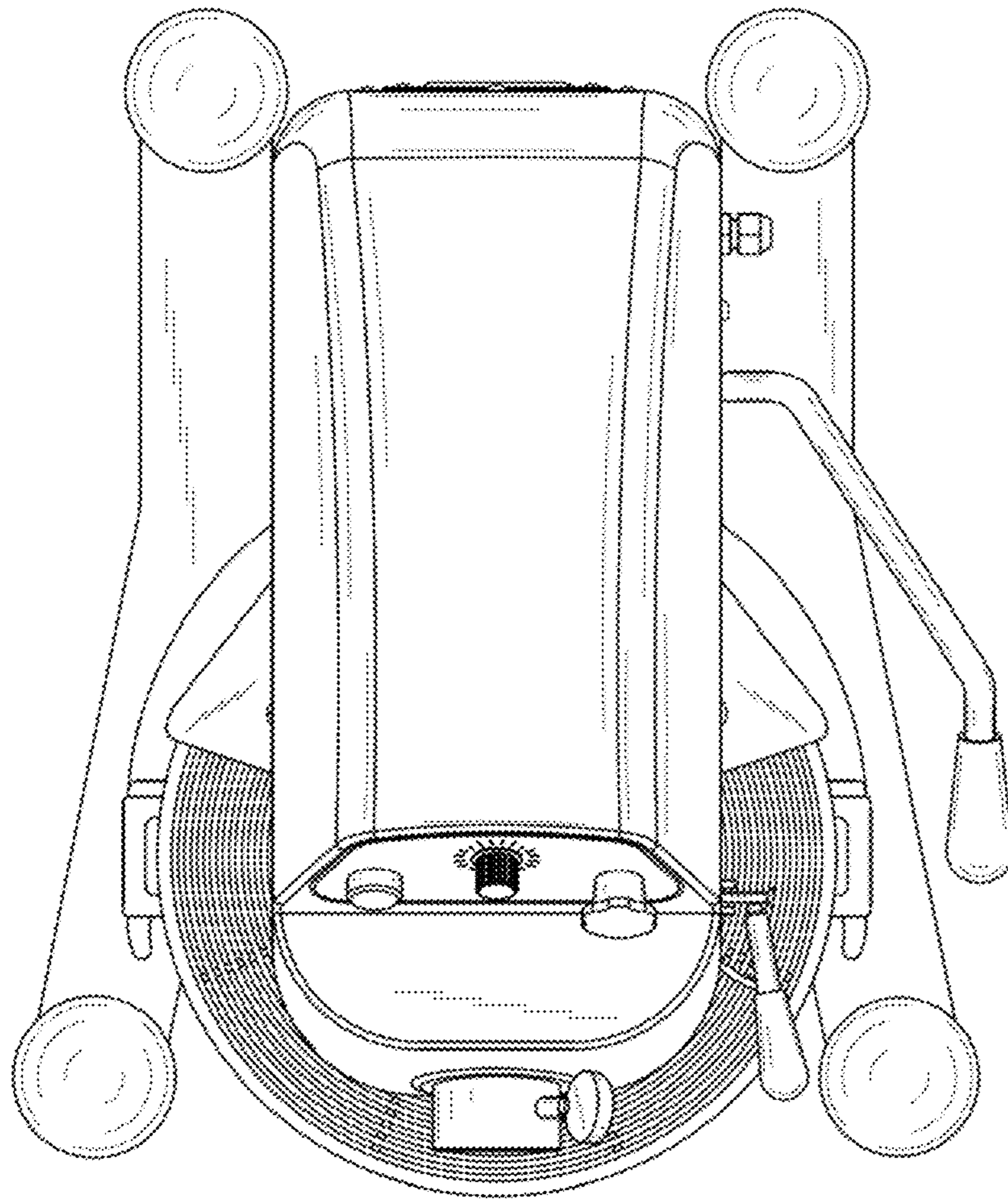


FIG.5

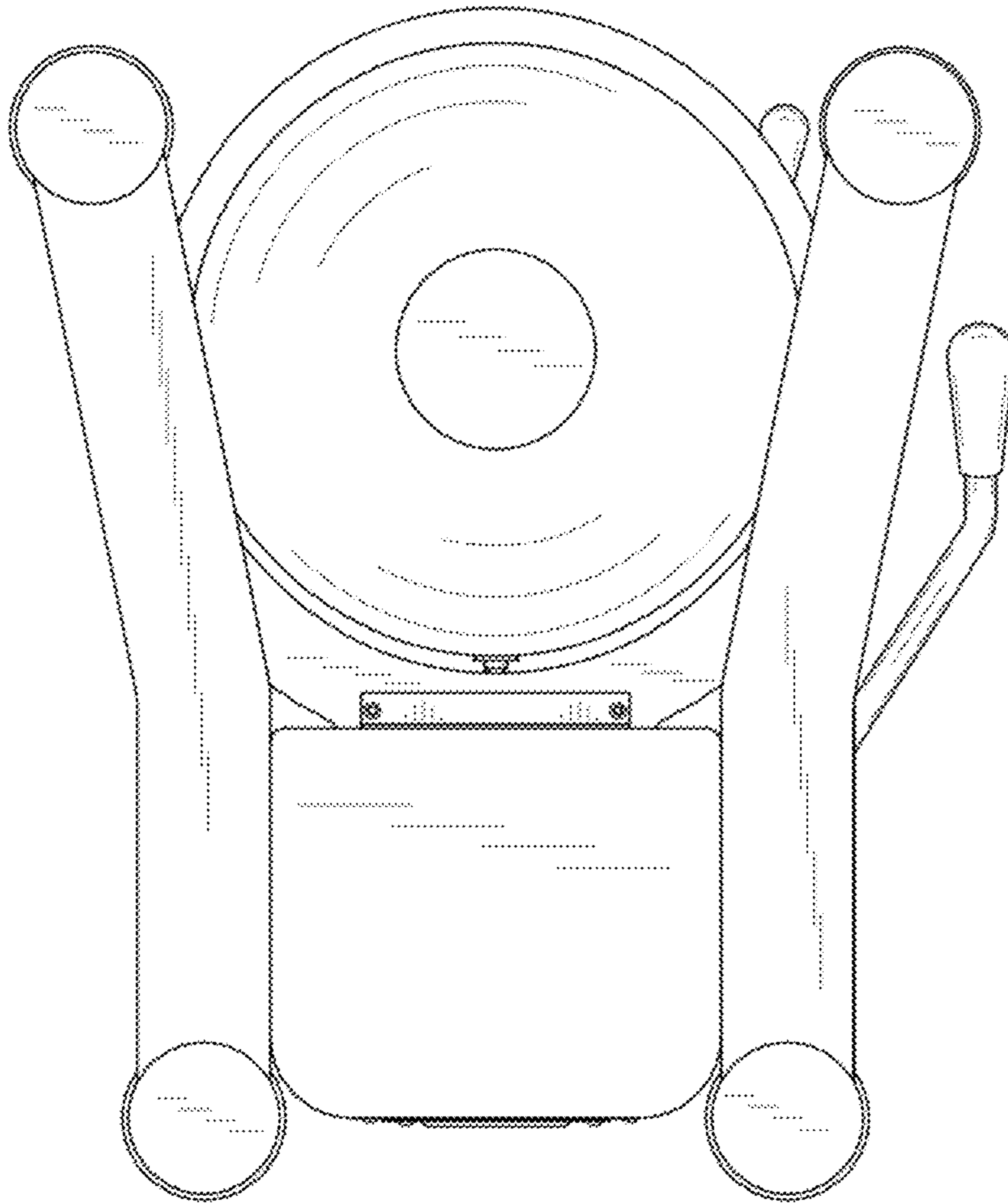


FIG.6

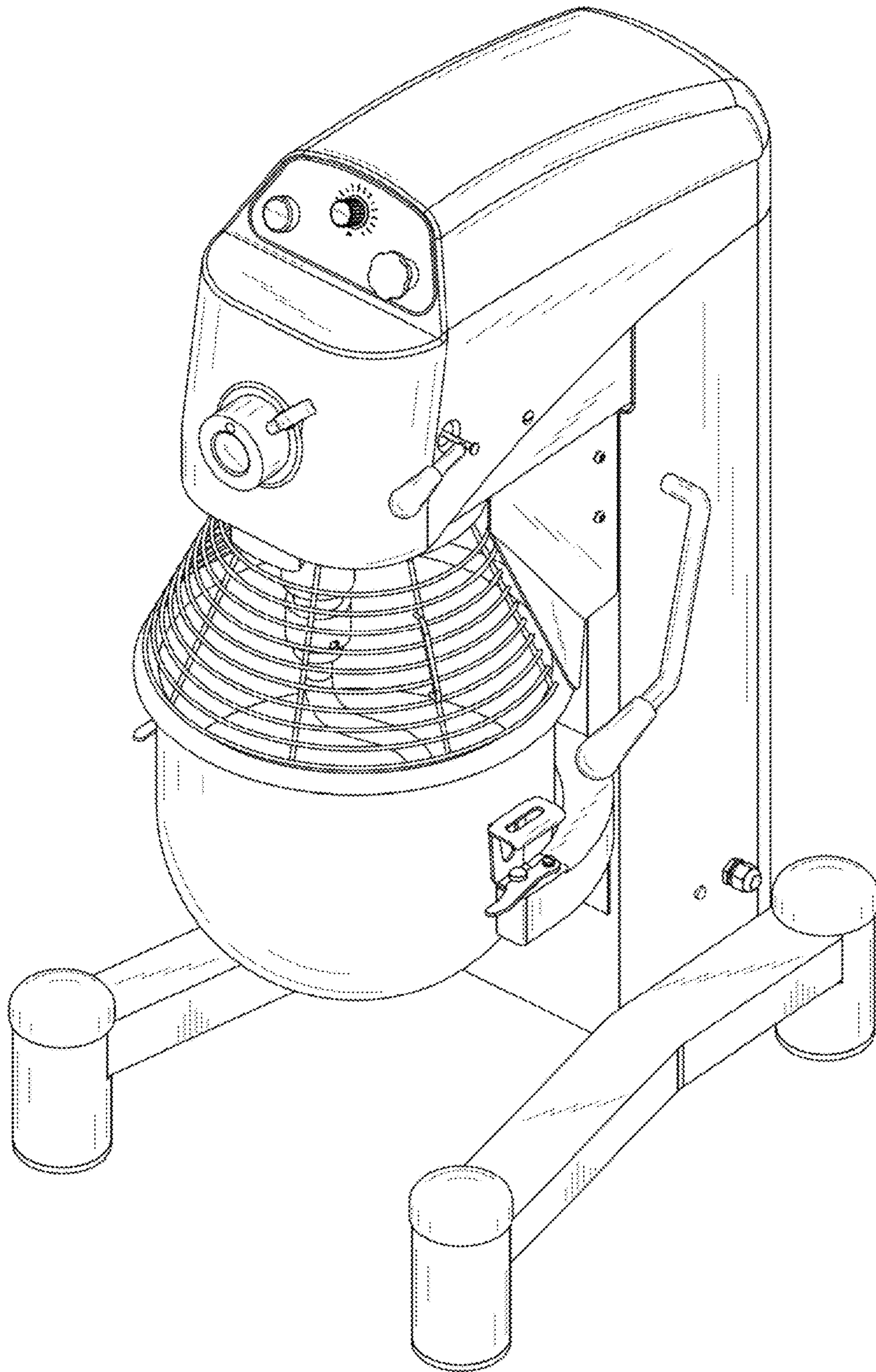


FIG. 7