



US00D818763S

(12) **United States Design Patent** (10) **Patent No.:** **US D818,763 S**  
**Bock** (45) **Date of Patent:** **\*\* May 29, 2018**

- (54) **STAND MIXER**
- (71) Applicant: **Hamilton Beach Brands, Inc.**, Glen Allen, VA (US)
- (72) Inventor: **Brian Bock**, Midlothian, VA (US)
- (73) Assignee: **Hamilton Beach Brands, Inc.**, Glen Allen, VA (US)
- (\*\*) Term: **15 Years**
- (21) Appl. No.: **29/595,926**
- (22) Filed: **Mar. 3, 2017**
- (51) **LOC (11) Cl.** ..... **31-00**
- (52) **U.S. Cl.**  
USPC ..... **D7/379**
- (58) **Field of Classification Search**  
USPC ..... D7/316, 323, 368, 372.373, 376, D7/378-384, 386, 390, 393, 403, 412, D7/602, 624, 626, 629, 665-666, 675, D7/679, 693-694  
CPC .... A47J 43/00; A47J 43/0722; A47J 43/0727; A47J 43/075; A47J 43/046; A47J 43/044; A47J 43/06; A47J 43/07; A21C 1/04; A21C 1/02; A23N 1/00  
See application file for complete search history.

- D673,419 S \* 1/2013 De Pra ..... D7/373
- D677,520 S \* 3/2013 Choi ..... D7/376
- 8,438,968 B2 5/2013 Warner
- D728,304 S \* 5/2015 Weaden ..... D7/376
- D748,428 S \* 2/2016 Yuan ..... D7/376
- D758,125 S \* 6/2016 Jeong ..... D7/376
- D796,254 S \* 9/2017 Thomas ..... D7/376
- 2009/0067279 A1 \* 3/2009 Mulle ..... A21C 1/02 366/142
- 2011/0036248 A1 \* 2/2011 Liu ..... A47J 43/0705 99/484
- 2011/0186668 A1 \* 8/2011 Seidler ..... A47J 27/004 241/98

(Continued)

**OTHER PUBLICATIONS**

“Cuisinart SM”, posted Dec. 12, 2007 [online], [retrieved Mar. 26, 2018]. Retrieved from internet, [https://www.amazon.com/Cuisinart-SM-55BC-2-Quart-12-Speed-Brushed/product-reviews/B000mtiuss/ref=cm\\_cr\\_getr\\_d\\_paging\\_btm\\_53?ie=UTF8&reviewerType=all\\_reviews&sortBy=recent&pageNumber=53.\\*](https://www.amazon.com/Cuisinart-SM-55BC-2-Quart-12-Speed-Brushed/product-reviews/B000mtiuss/ref=cm_cr_getr_d_paging_btm_53?ie=UTF8&reviewerType=all_reviews&sortBy=recent&pageNumber=53.*)

*Primary Examiner* — Barbara Fox  
*Assistant Examiner* — Mehri F Bajoul  
(74) *Attorney, Agent, or Firm* — Alexander D. Raring

(57) **CLAIM**

The ornamental design for a stand mixer, as shown and described.

**DESCRIPTION**

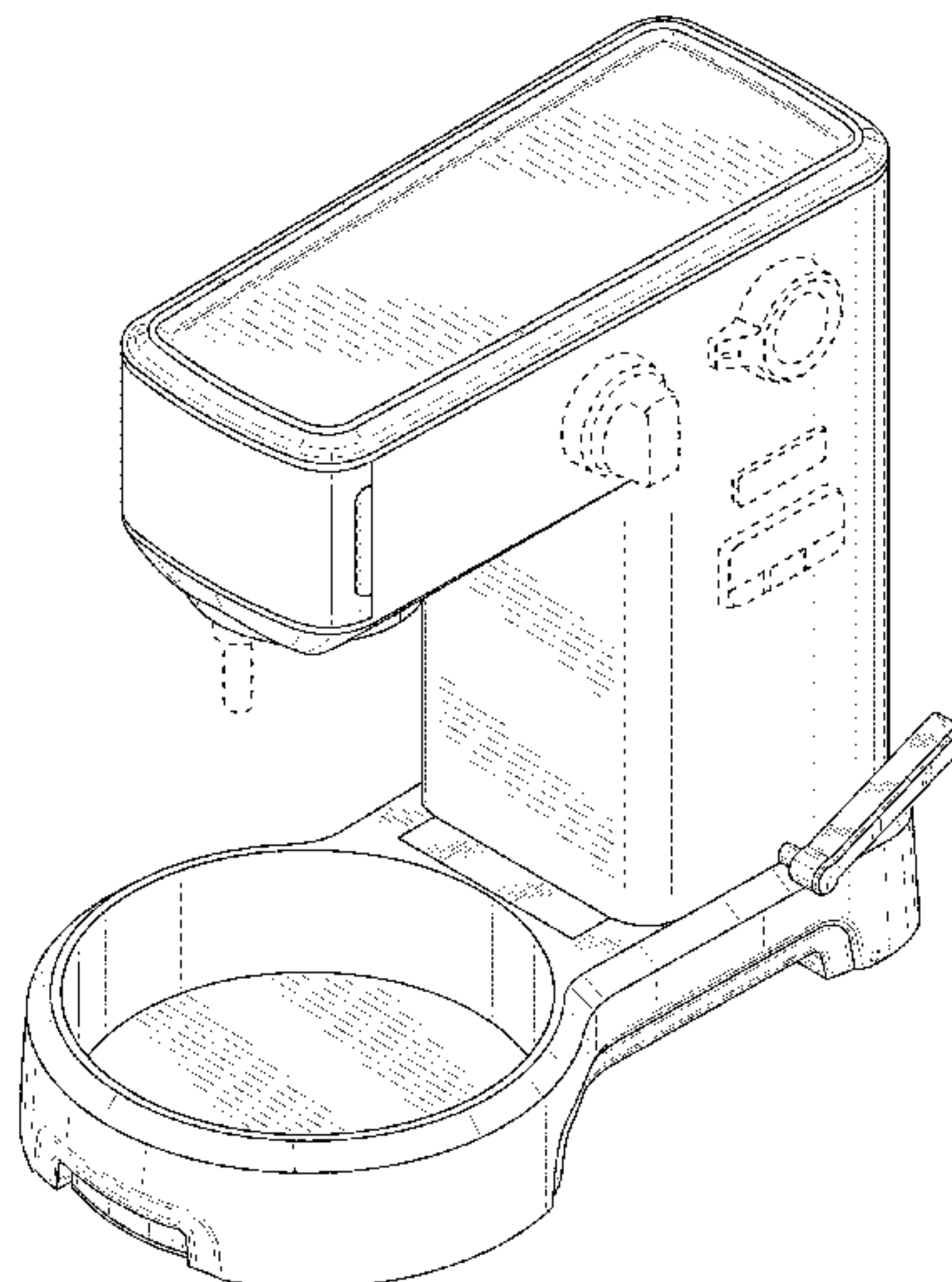
FIG. 1 is a top, right and front perspective view of a stand mixer showing the new design; FIG. 2 is a front side view thereof; FIG. 3 is a rear view thereof; FIG. 4 is a left side view thereof; FIG. 5 is a right side view thereof; FIG. 6 is a top view thereof; and, FIG. 7 is a bottom view thereof. The broken lines shown in the drawings depict portions of the stand mixer that form no part of the claimed design.

**1 Claim, 7 Drawing Sheets**

(56) **References Cited**

**U.S. PATENT DOCUMENTS**

- 2,137,547 A 11/1938 Snow
- D286,258 S \* 10/1986 Grange ..... D7/379
- D319,555 S \* 9/1991 Thomas ..... D7/379
- D448,966 S 10/2001 Hsieh
- 6,367,963 B2 4/2002 Sanpei et al.
- 6,410,068 B2 6/2002 Goldston
- 6,470,793 B1 10/2002 Vogt
- 6,668,704 B1 12/2003 Lassota
- D502,841 S \* 3/2005 Santer ..... D7/309
- 7,175,338 B2 2/2007 Hooper et al.
- D612,195 S \* 3/2010 Liu ..... D7/379
- D613,549 S \* 4/2010 Picozza ..... D7/376



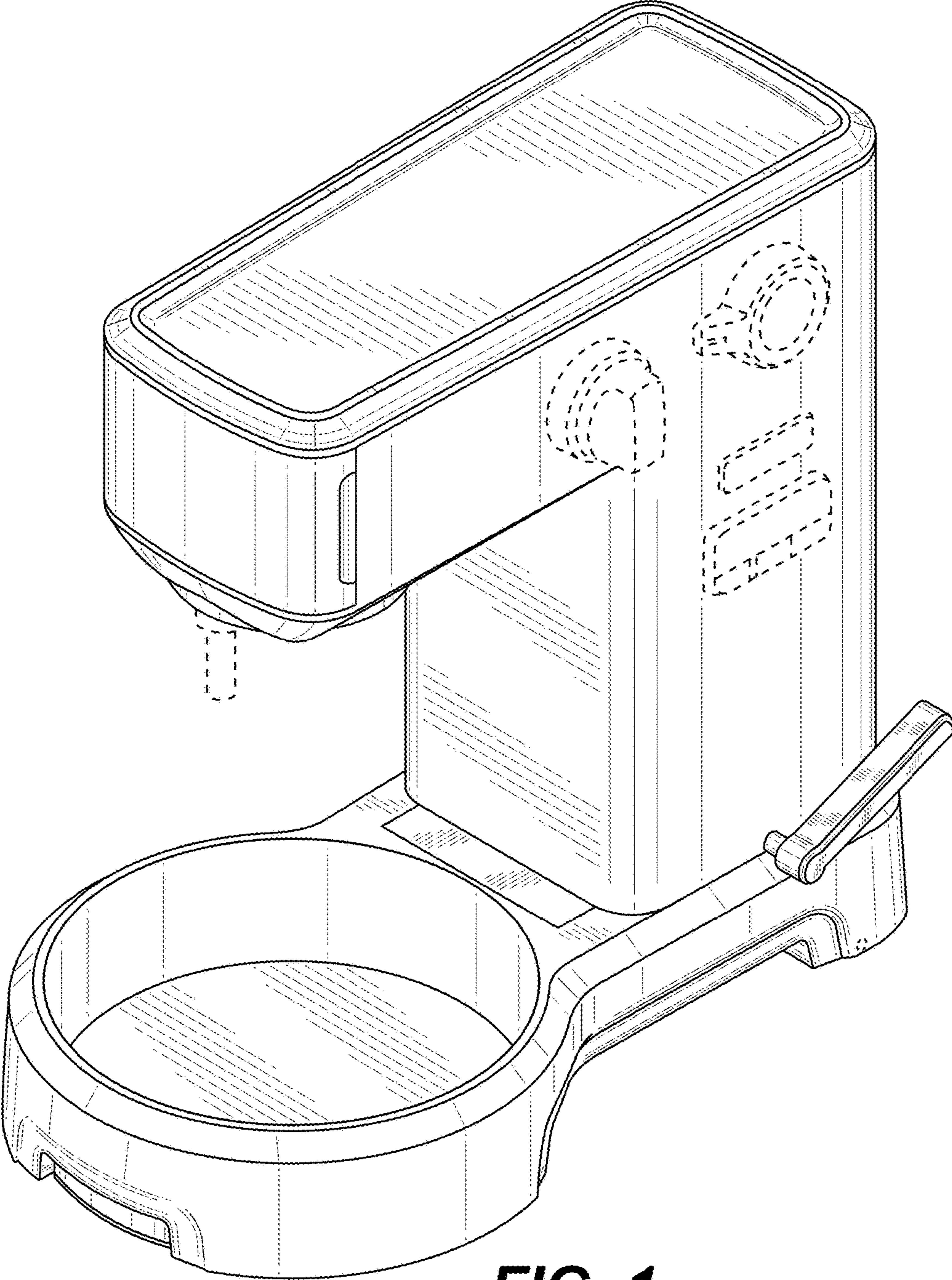
(56)

**References Cited**

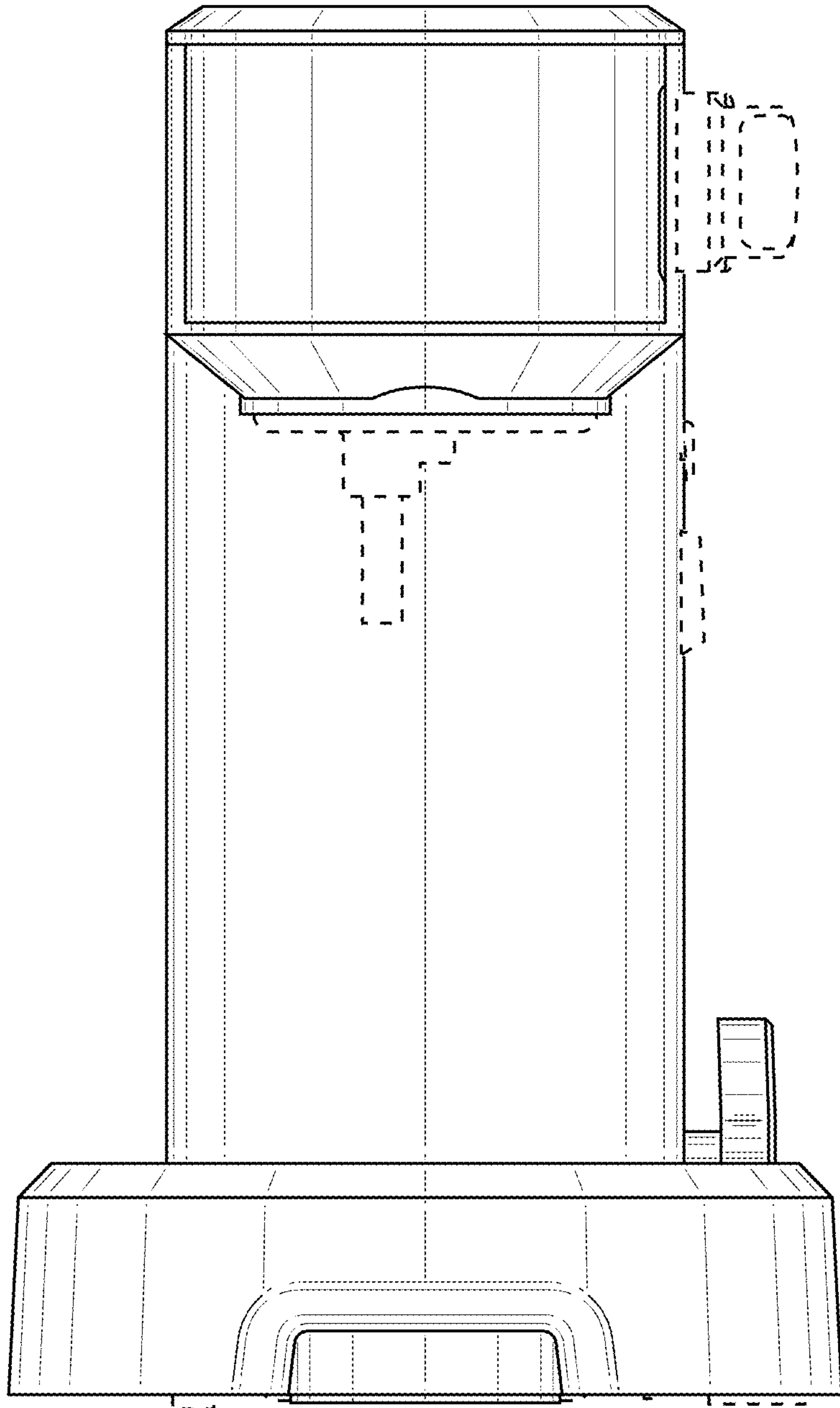
U.S. PATENT DOCUMENTS

2016/0324368 A1 \* 11/2016 Seidler ..... A47J 43/0705

\* cited by examiner

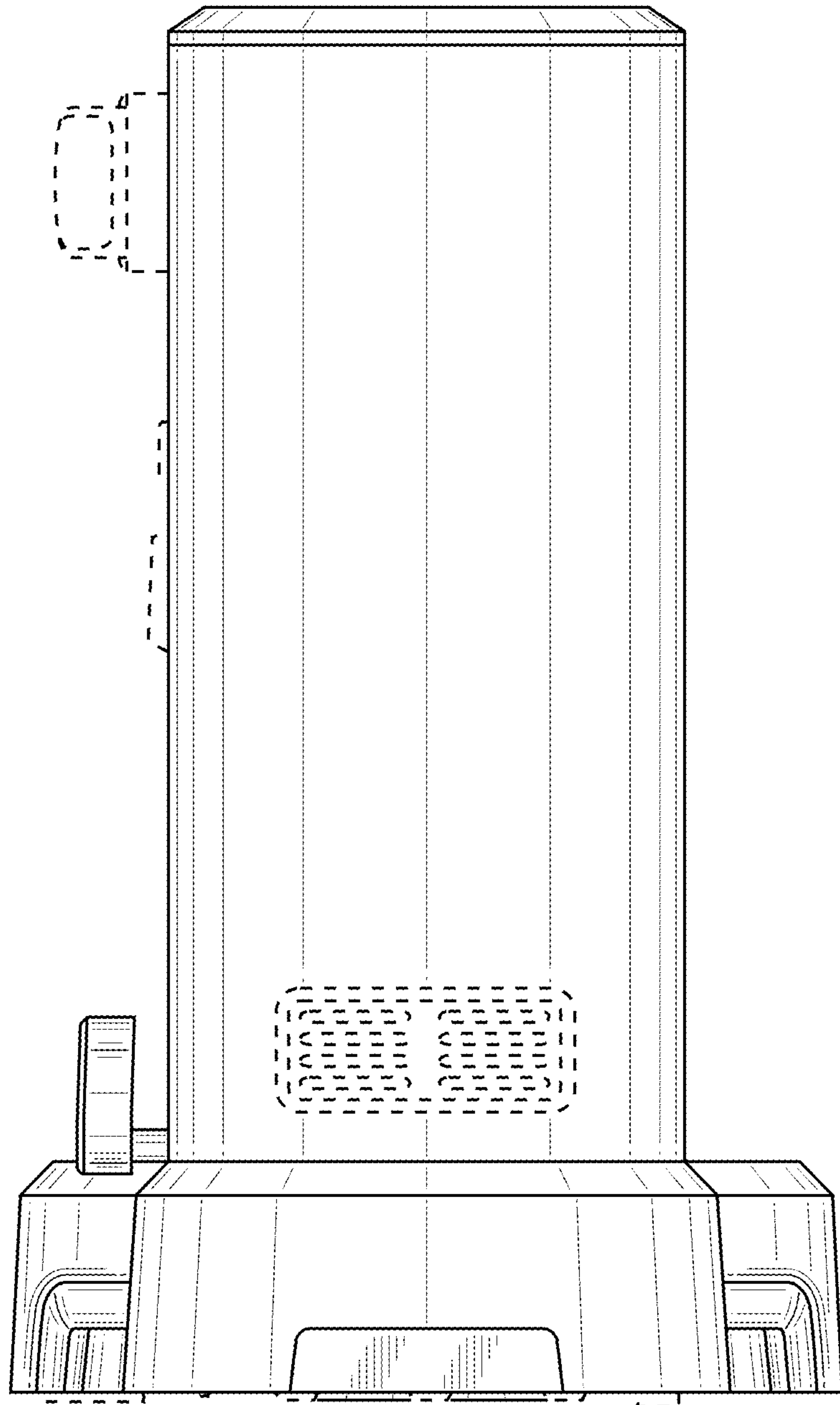


**FIG. 1**

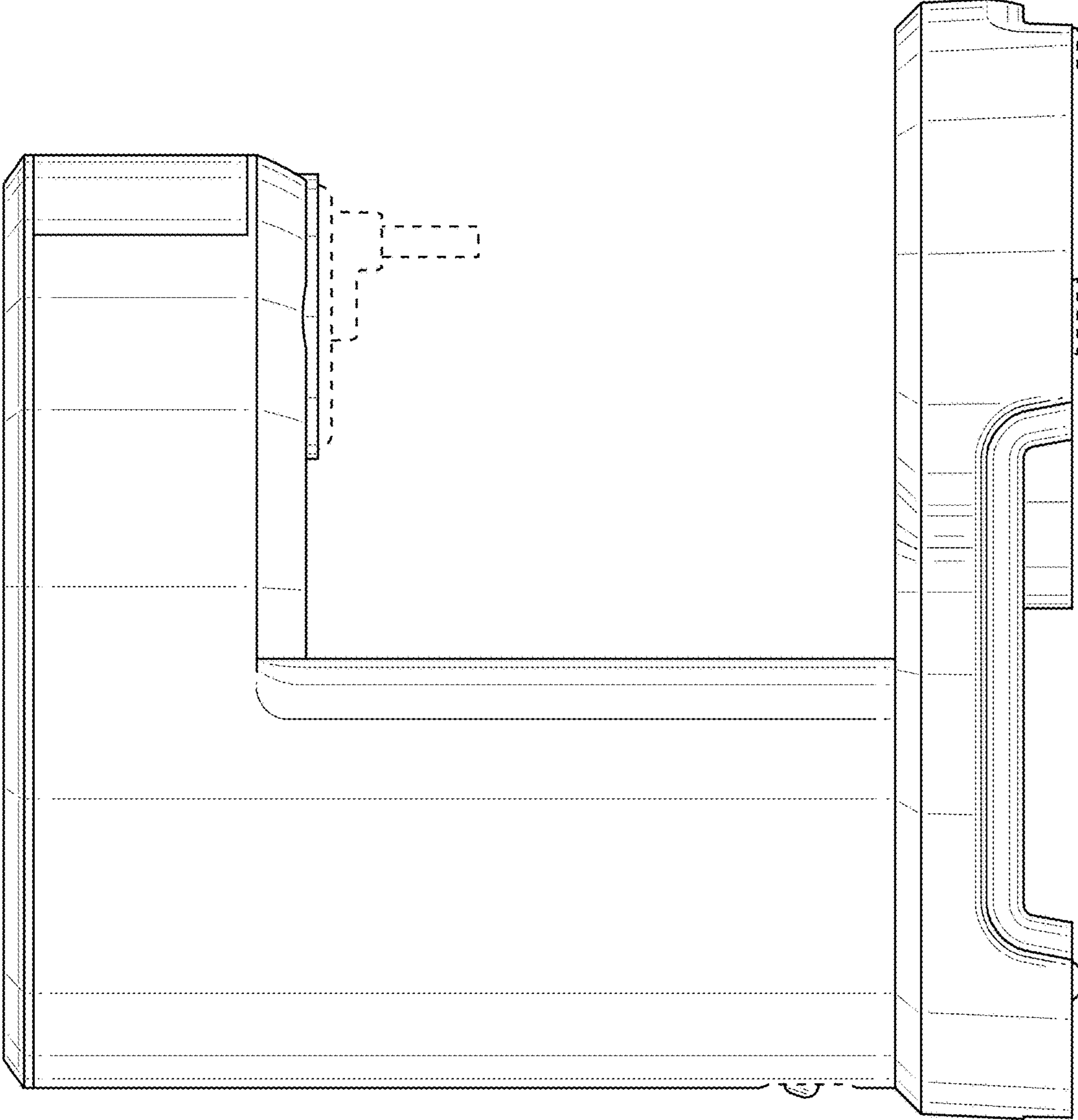


**FIG. 2**





**FIG. 3**



**FIG. 4**

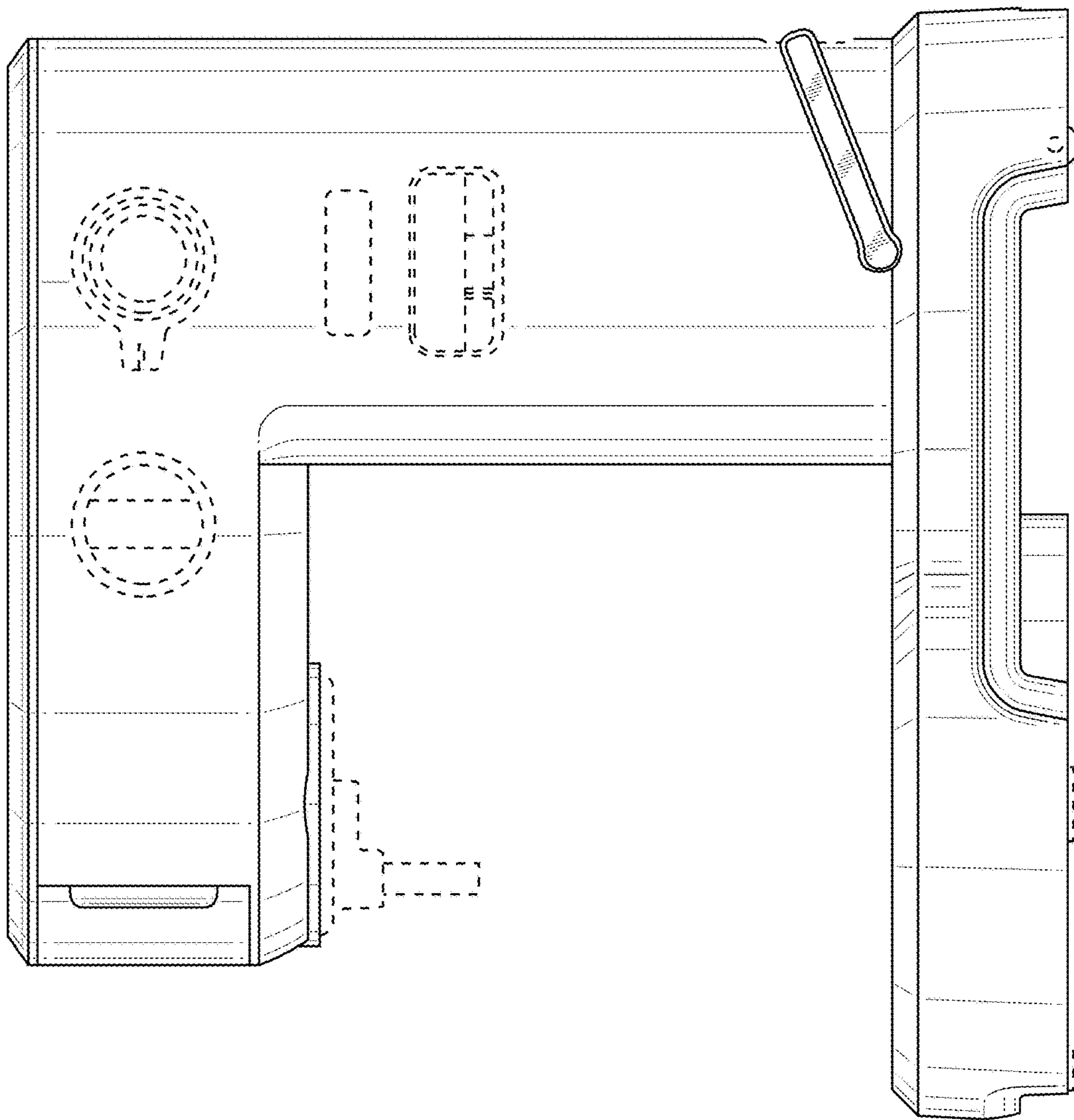
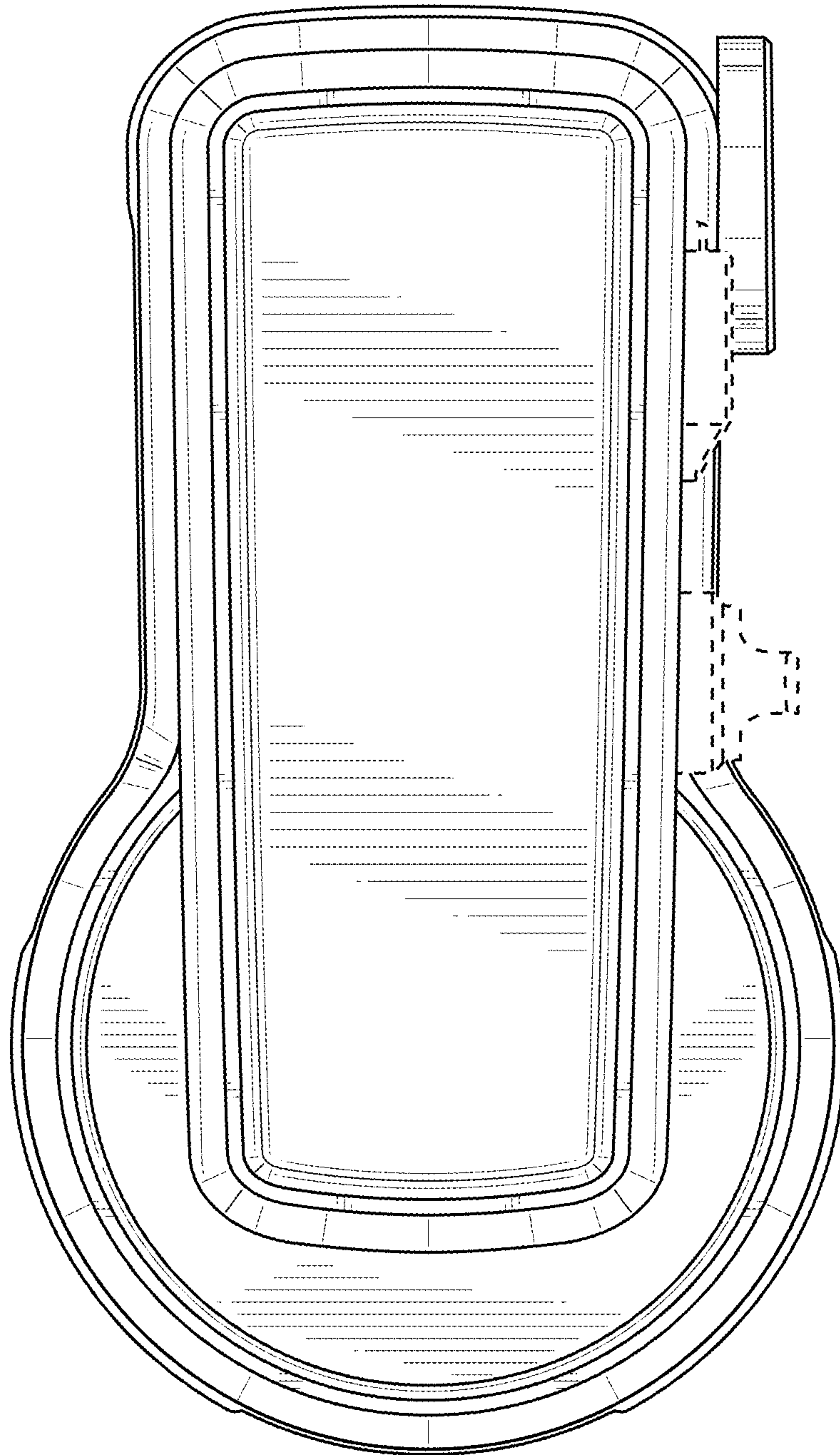
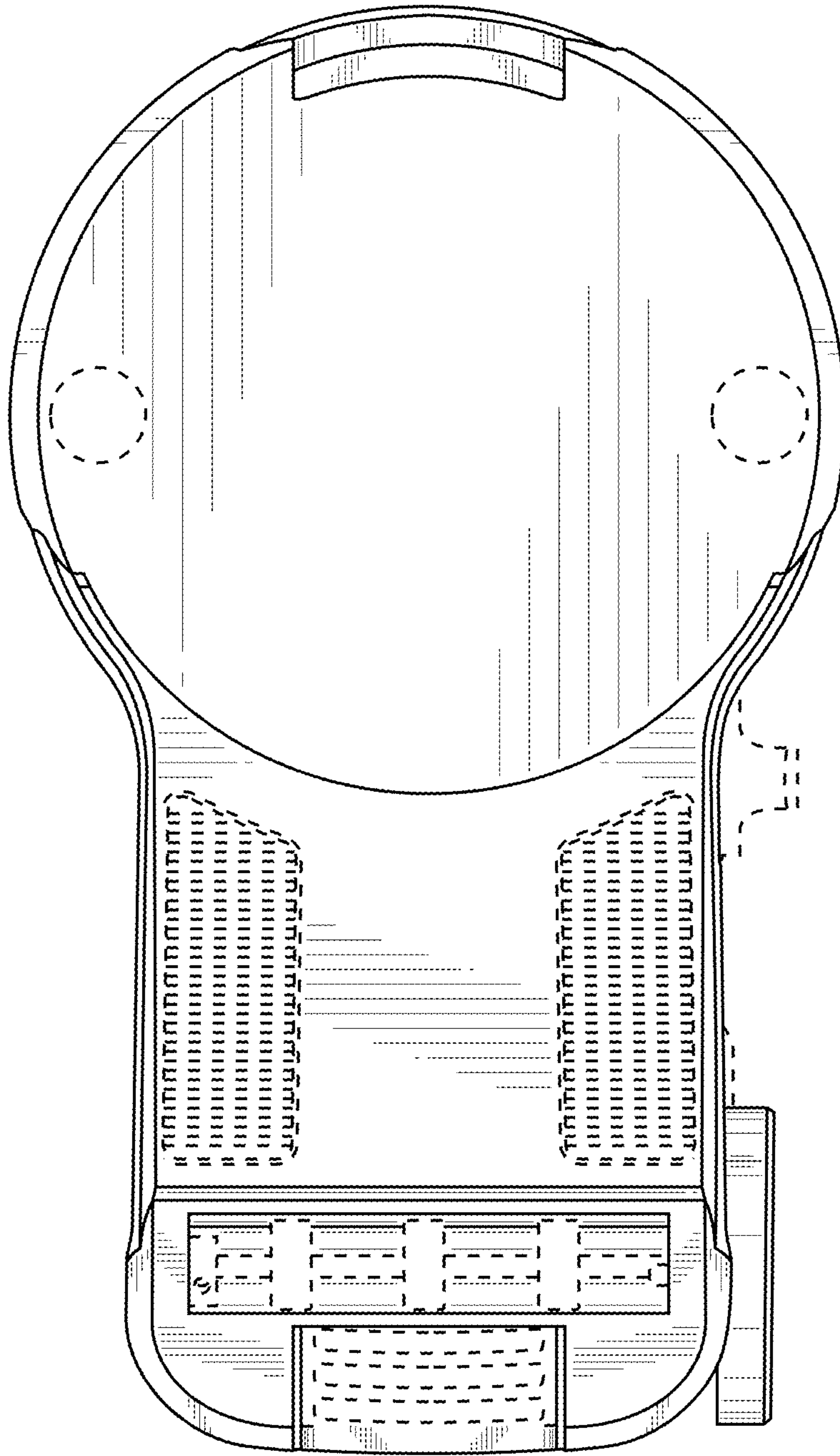


FIG. 5



**FIG. 6**





**FIG. 7**