



US00D818760S

(12) **United States Design Patent**
Abbo

(10) **Patent No.:** **US D818,760 S**

(45) **Date of Patent:** **** May 29, 2018**

(54) **COOKING DEVICE**

(71) Applicant: **New Tech World, LLC**, Oklahoma City, OK (US)

(72) Inventor: **Adam Abbo**, Oklahoma City, OK (US)

(73) Assignee: **New Tech World, LLC**, Edmond, OK (US)

(**) Term: **15 Years**

(21) Appl. No.: **29/606,280**

(22) Filed: **Jun. 2, 2017**

(51) **LOC (11) Cl.** **07-02**

(52) **U.S. Cl.**
USPC **D7/354**; D7/360; D7/409

(58) **Field of Classification Search**
USPC D7/323, 354-361, 409, 505, 543, 545, D7/549, 550.1, 553.1-553.8, 554.1-554.4, D7/555, 557, 584, 586; D9/430-433, D9/455-456, 737, 756-762; D11/152; D30/129

CPC A21B 3/00; A21B 3/13; A21B 3/15; A21B 3/134; A21B 5/00; A21B 5/02; A47J 36/022; A47J 36/025; A47J 36/027; A47J 37/00; A47J 37/04; A47J 37/0694; B65D 1/22; B65D 1/24; B65D 1/34; B65D 1/36; B65D 81/343; B65D 85/36

See application file for complete search history.

(56) **References Cited**

U.S. PATENT DOCUMENTS

1,565,077 A * 12/1925 Finn A47J 37/0694
206/525
2,661,679 A * 12/1953 Van Guilder A21B 3/13
131/235.1

D194,325 S * 1/1963 Swett D7/505
D453,488 S * 2/2002 McCauley D11/152
D513,930 S * 1/2006 Novi D7/409
D522,807 S * 6/2006 Dow D7/361
D559,472 S * 1/2008 Abinanti D30/129
D564,286 S * 3/2008 Zemel D7/354
D657,612 S * 4/2012 Cloutier D7/354
D671,355 S * 11/2012 Zmrhal D7/354
D700,004 S * 2/2014 Weskamp D7/354
D737,103 S * 8/2015 Cloutier D7/554.2
D781,659 S * 3/2017 Kellow, Jr. D7/553.8

* cited by examiner

Primary Examiner — Ricky Pham

(74) *Attorney, Agent, or Firm* — Hall Estill Attorneys at Law

(57) **CLAIM**

The ornamental design for a cooking device, as shown and described.

DESCRIPTION

FIG. 1 is an isometric view of my design.
FIG. 2 is a front elevational view of the design of FIG. 1, the rear elevational view being the same as the front elevational view.
FIG. 3 is a right side elevational view of the design of FIG. 1, the left side elevational view being the same as the right side elevational view.
FIG. 4 is a top plan view of the design of FIG. 1; and, FIG. 5 is a bottom plan view of the design of FIG. 1.
The broken lines in these drawings serve to illustrate the environment in which the claimed design is associated. The broken lines form no part of the claimed design.

1 Claim, 5 Drawing Sheets

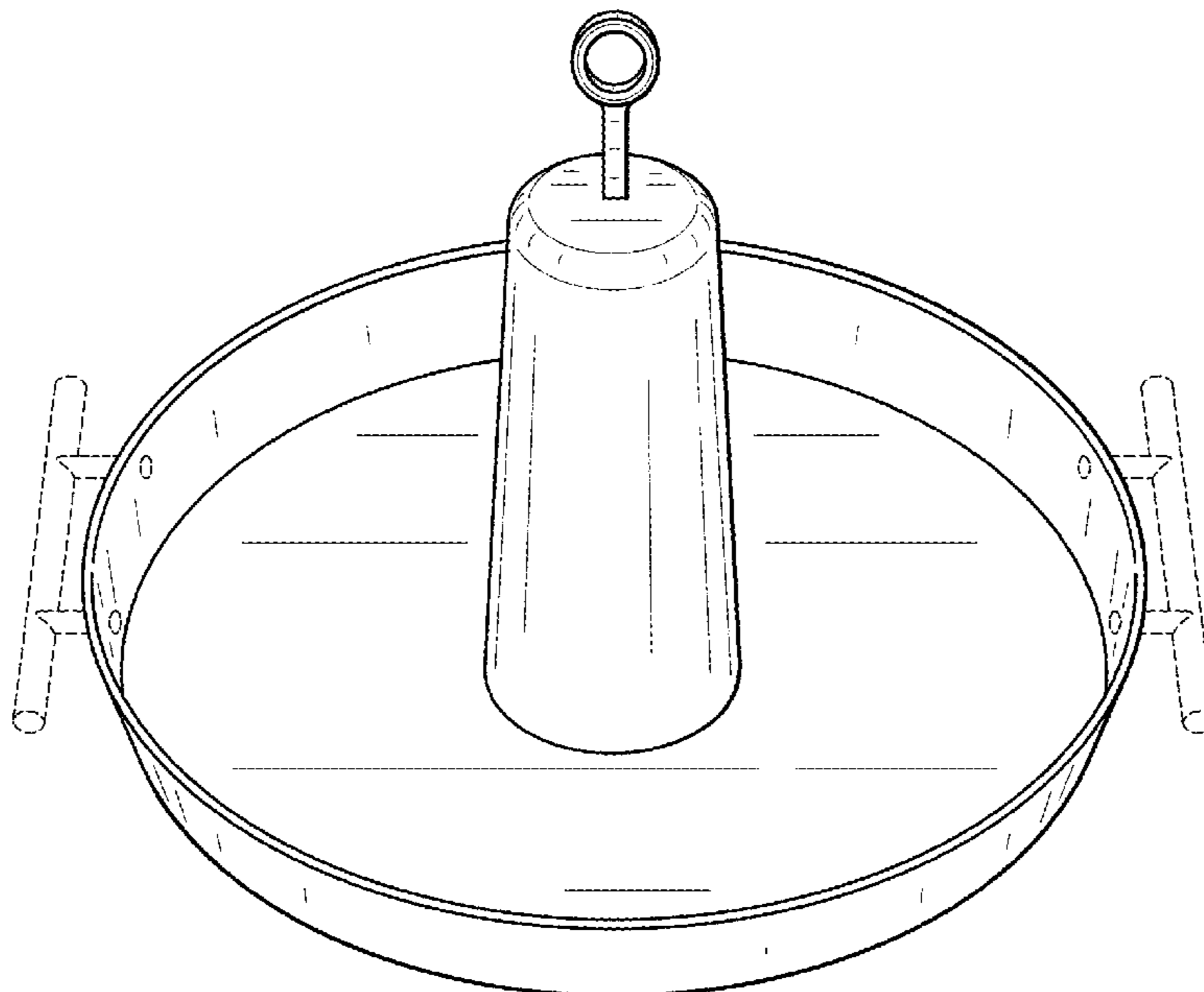


FIG. 1

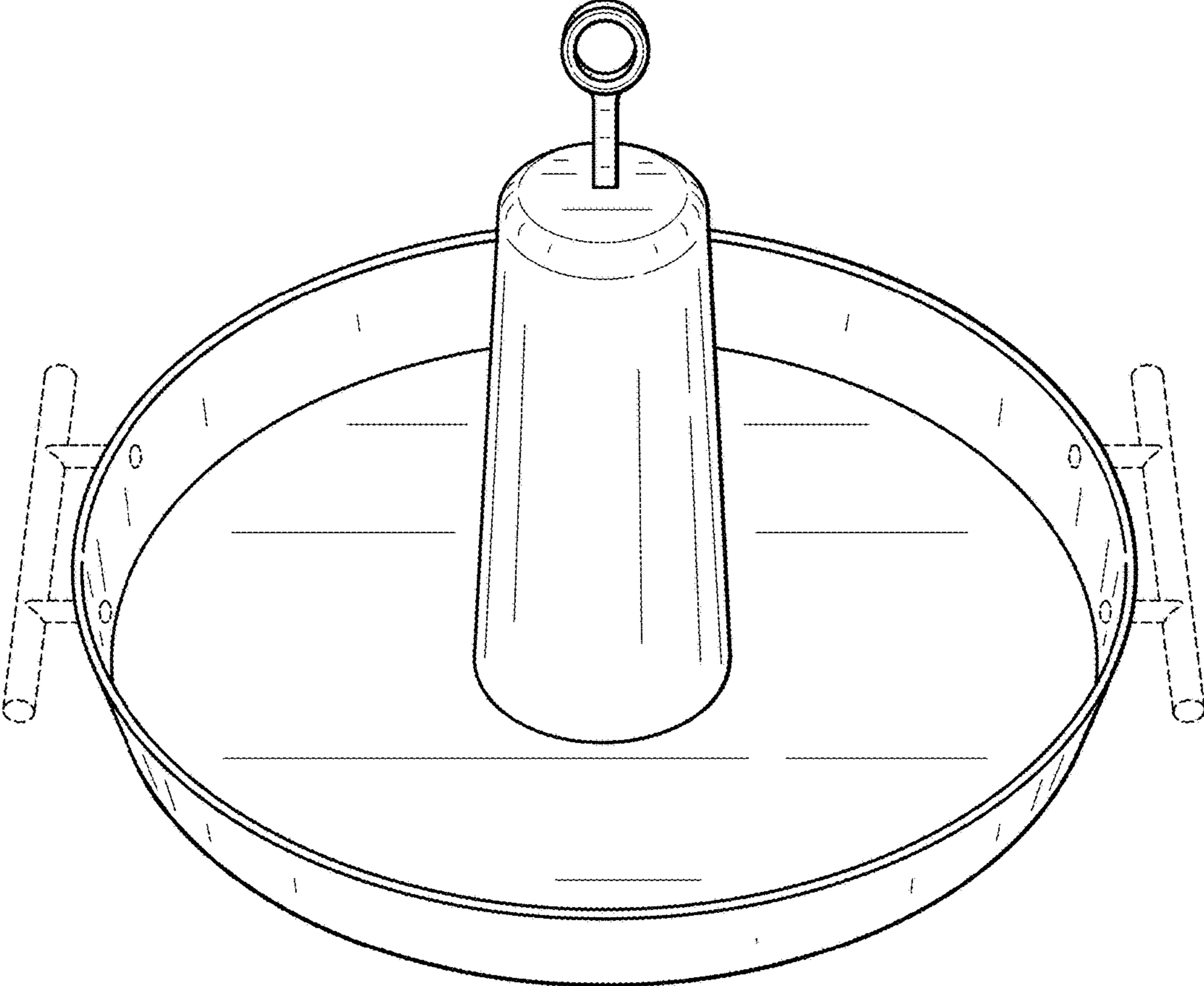


FIG. 2

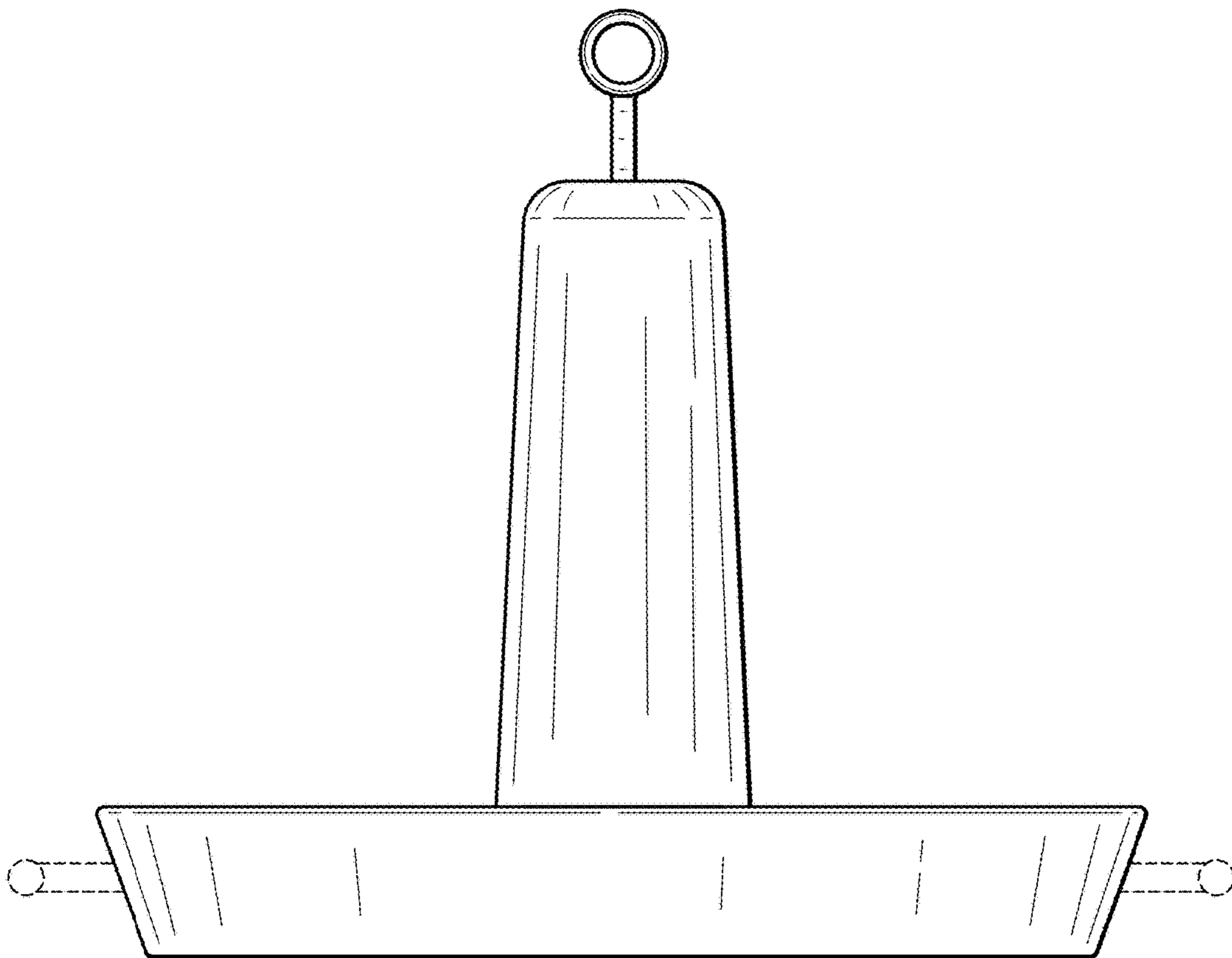


FIG. 3

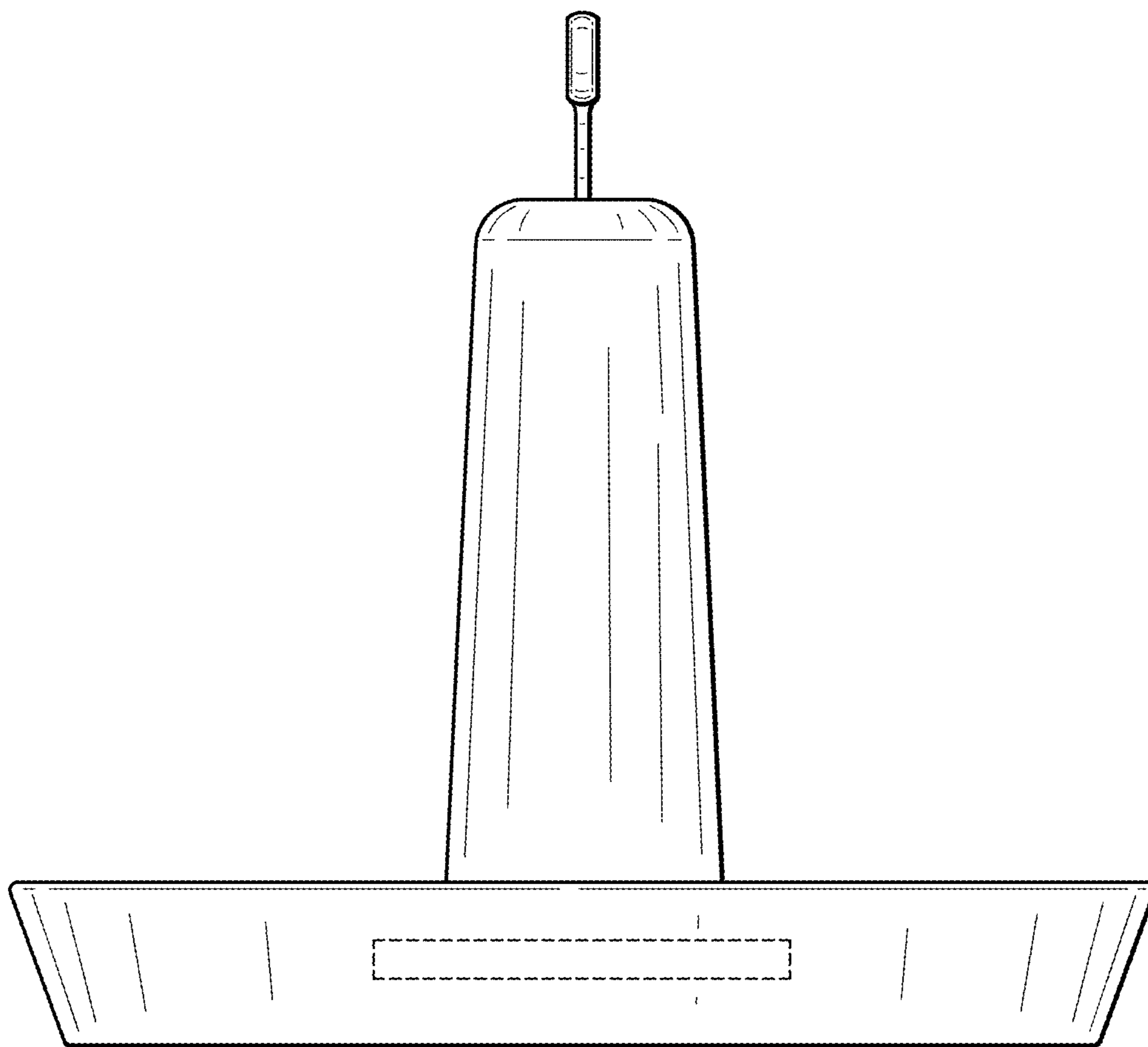


FIG. 4

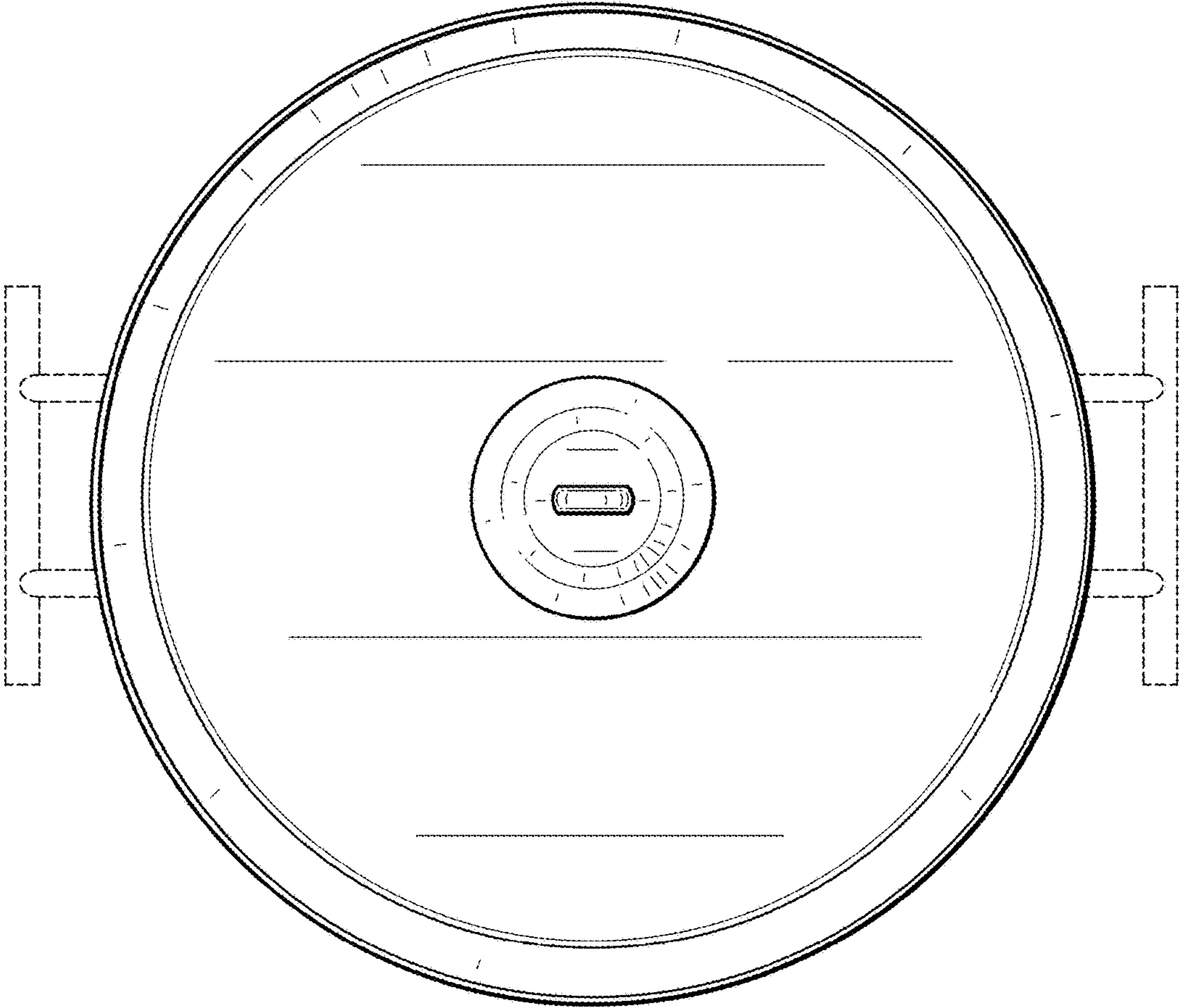


FIG. 5

