



US00D818759S

(12) **United States Design Patent**
Choi et al.

(10) **Patent No.:** **US D818,759 S**
(45) **Date of Patent:** **** May 29, 2018**

- (54) **ELECTRIC RICE COOKER AND WARMER**
- (71) Applicant: **Dayou Winia Co., Ltd.**, Asani-si (KR)
- (72) Inventors: **Hun Jung Choi**, Goyang-si (KR);
Young Joon Choi, Goyang-si (KR); **Ho Gyu Lee**, Seoul (KR)
- (73) Assignee: **Dayou Winia Co., Ltd.**, Asani-si (KR)
- (**) Term: **15 Years**

D618,490 S *	6/2010	Li	D7/354
D627,193 S *	11/2010	Marin	D7/354
D638,251 S *	5/2011	Josancy	D7/354
8,109,201 B2 *	2/2012	Schandel	A47J 27/004 206/563
D657,990 S *	4/2012	Kim	D7/352
D704,500 S *	5/2014	Kim	D7/354
D715,088 S *	10/2014	Kim	D7/354
D735,519 S *	8/2015	Benoit	D7/354
9,113,743 B2 *	8/2015	Sandford	A47J 36/10
D743,202 S *	11/2015	Sands	D7/354
D770,220 S *	11/2016	Chung	D7/354

(Continued)

- (21) Appl. No.: **29/565,367**
- (22) Filed: **May 19, 2016**

Primary Examiner — Caron D Veynar
Assistant Examiner — Mehri F Bajoul
(74) *Attorney, Agent, or Firm* — NSIP Law

(30) **Foreign Application Priority Data**

Dec. 8, 2015 (KR) 30-2015-0062541

- (51) **LOC (11) Cl.** **07-02**
- (52) **U.S. Cl.**
USPC **D7/354**

- (58) **Field of Classification Search**
USPC D7/323, 354, 356, 359, 402, 546, 555;
99/324–325
CPC . A47G 19/12; A47J 27/00; A47J 36/10; A47J
37/00; A01K 7/00; F21V 35/00
See application file for complete search history.

(56) **References Cited**

U.S. PATENT DOCUMENTS

D278,403 S *	4/1985	Cesaroni	D7/354
D374,791 S *	10/1996	Wu	99/410
D452,412 S *	12/2001	Jeong	D7/354
D453,562 S *	2/2002	Makino	D23/366
D486,351 S *	2/2004	Lu	D7/354
D498,115 S *	11/2004	Shin	D7/354
6,987,247 B2 *	1/2006	Schaffeld	A47J 45/065 219/438
D517,856 S *	3/2006	Krasne	D7/354
D612,037 S *	3/2010	Jorgensen	D23/366

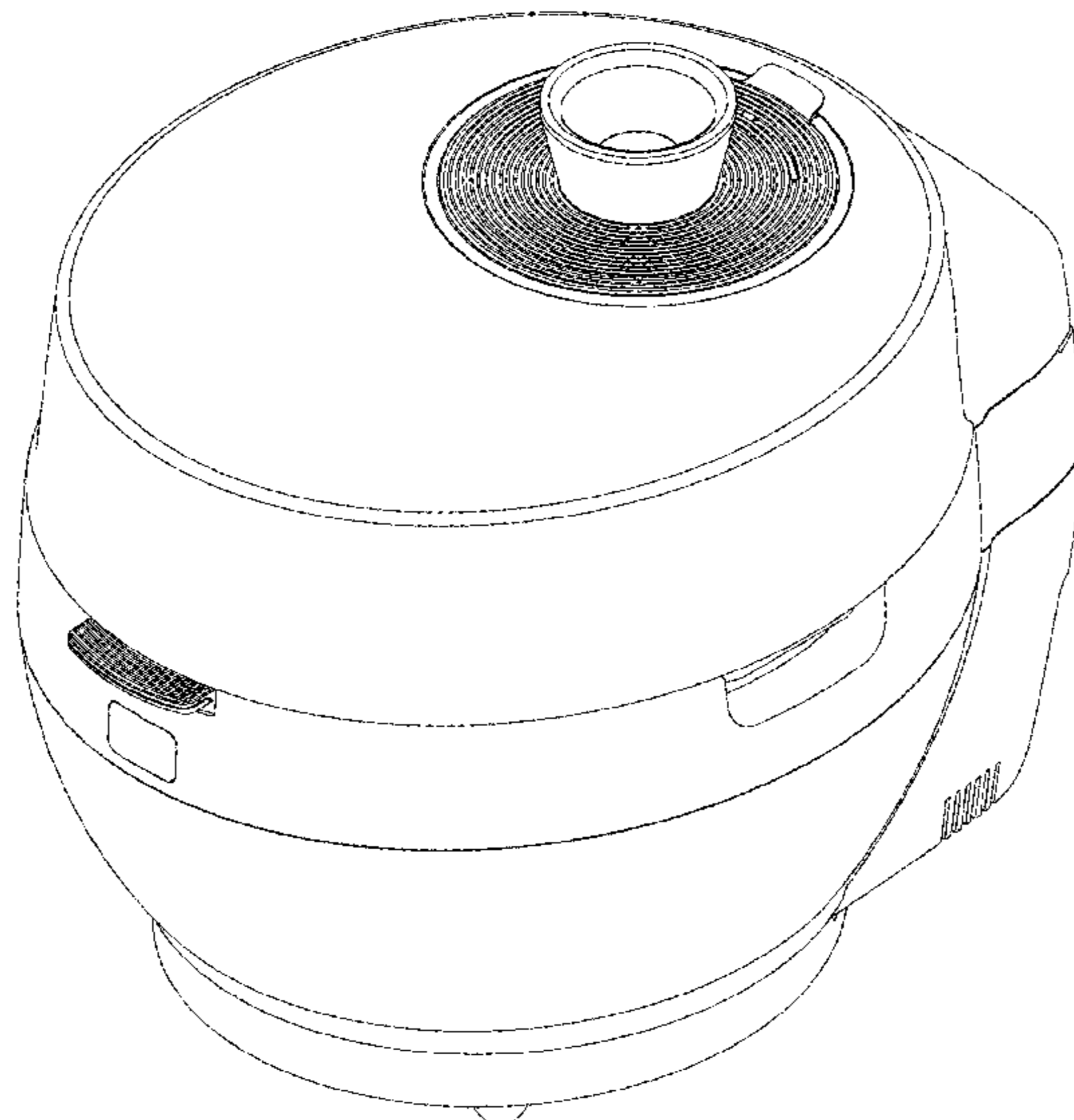
(57) **CLAIM**

The ornamental design for an electric rice cooker and warmer, as shown and described.

DESCRIPTION

FIG. 1 is a perspective view of an electric rice cooker and warmer according to the invention.
 FIG. 2 is a front view of the electric rice cooker and warmer shown in FIG. 1.
 FIG. 3 is a rear view of the electric rice cooker and warmer shown in FIG. 1.
 FIG. 4 is a left side view of the electric rice cooker and warmer shown in FIG. 1.
 FIG. 5 is a right side view of the electric rice cooker and warmer shown in FIG. 1.
 FIG. 6 is a top view of the electric rice cooker and warmer shown in FIG. 1; and,
 FIG. 7 is a bottom view of the electric rice cooker and warmer shown in FIG. 1.
 In the drawings, the broken lines show portions of the bottom of the electric rice cooker and warmer that form no part of the claimed design.

1 Claim, 7 Drawing Sheets



(56)

References Cited

U.S. PATENT DOCUMENTS

D770,843 S * 11/2016 Chung D7/354
2005/0145615 A1 * 7/2005 Schaffeld A47J 45/065
219/440

* cited by examiner

FIG. 1

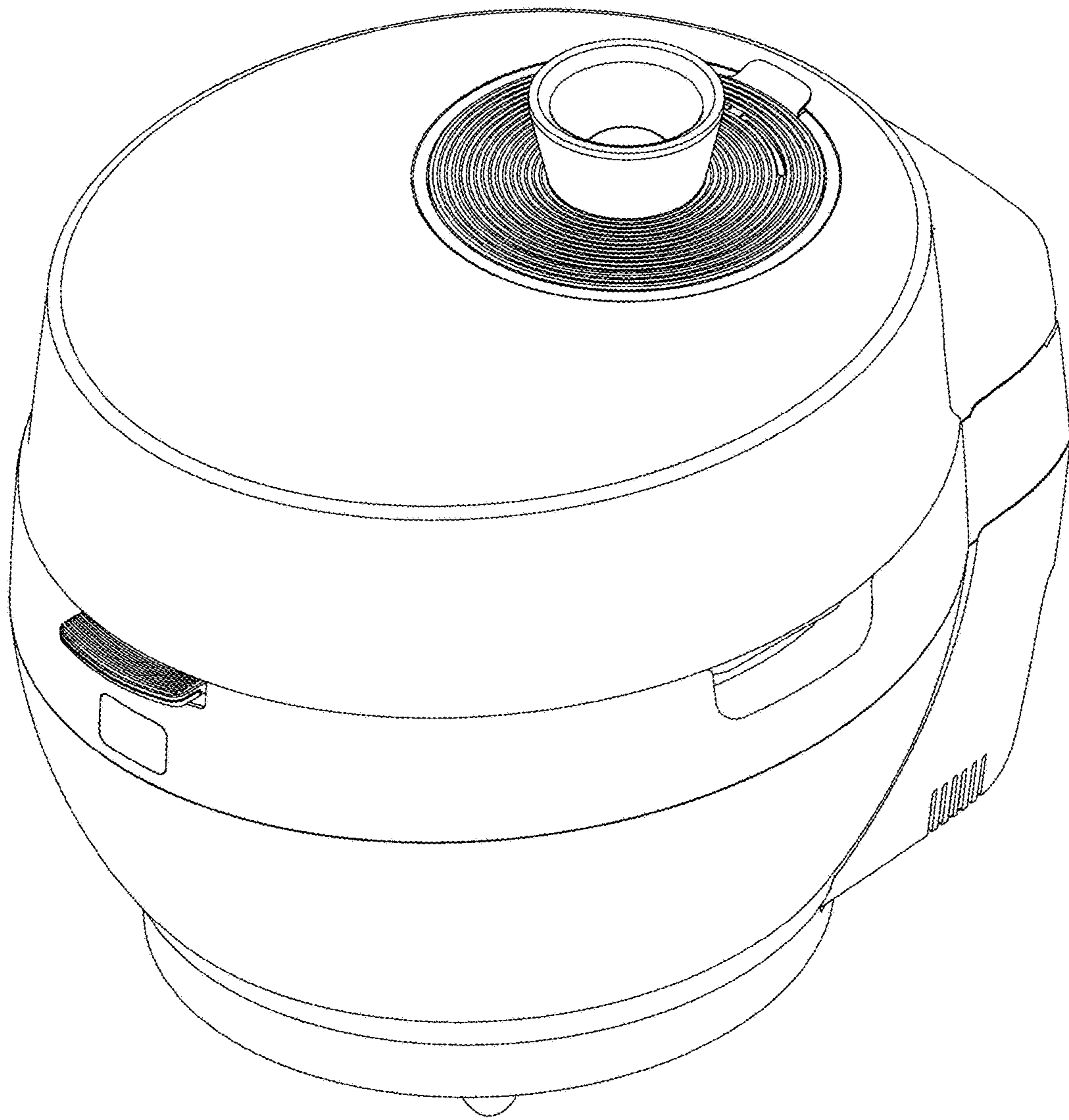


FIG. 2

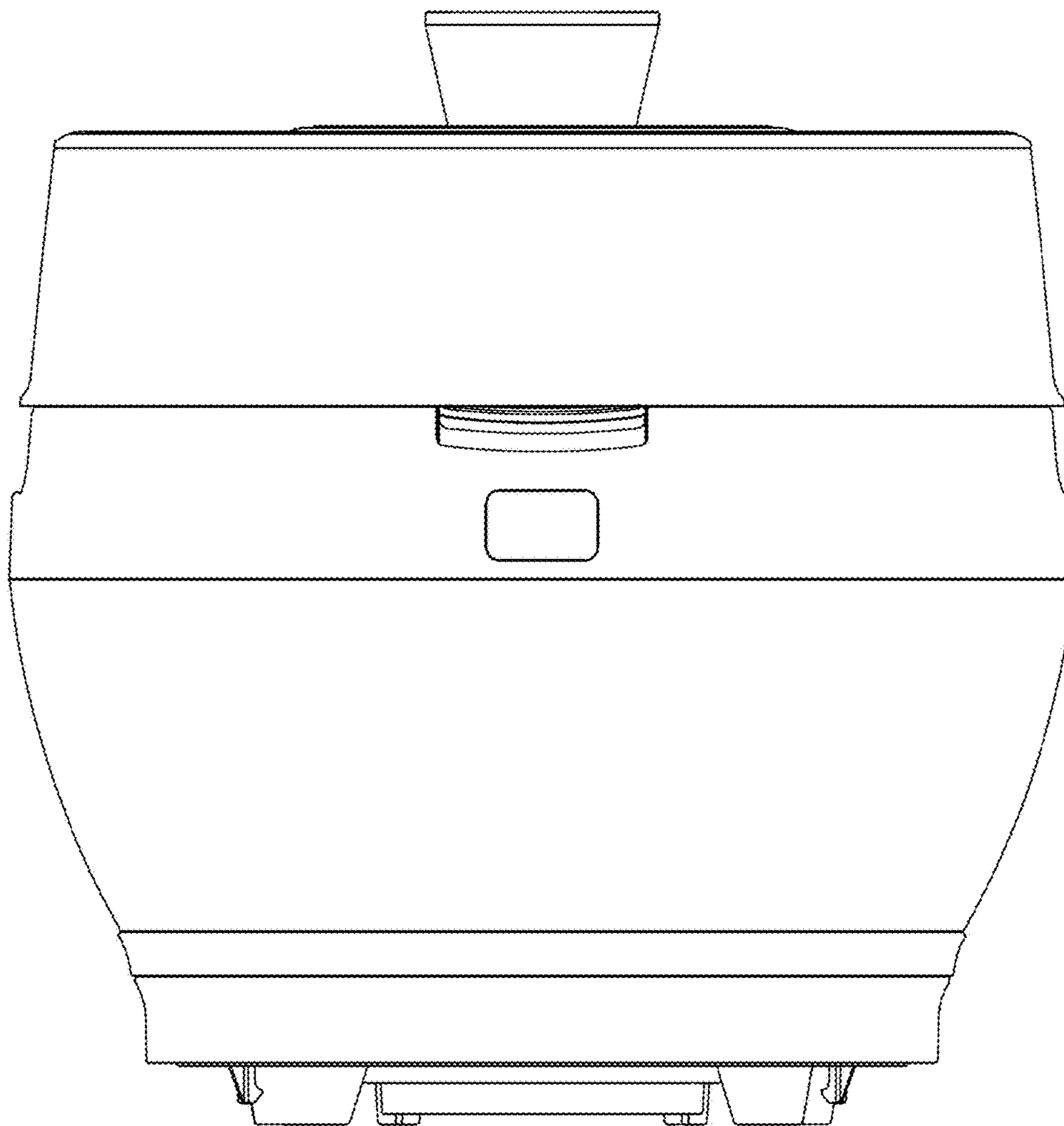


FIG. 3

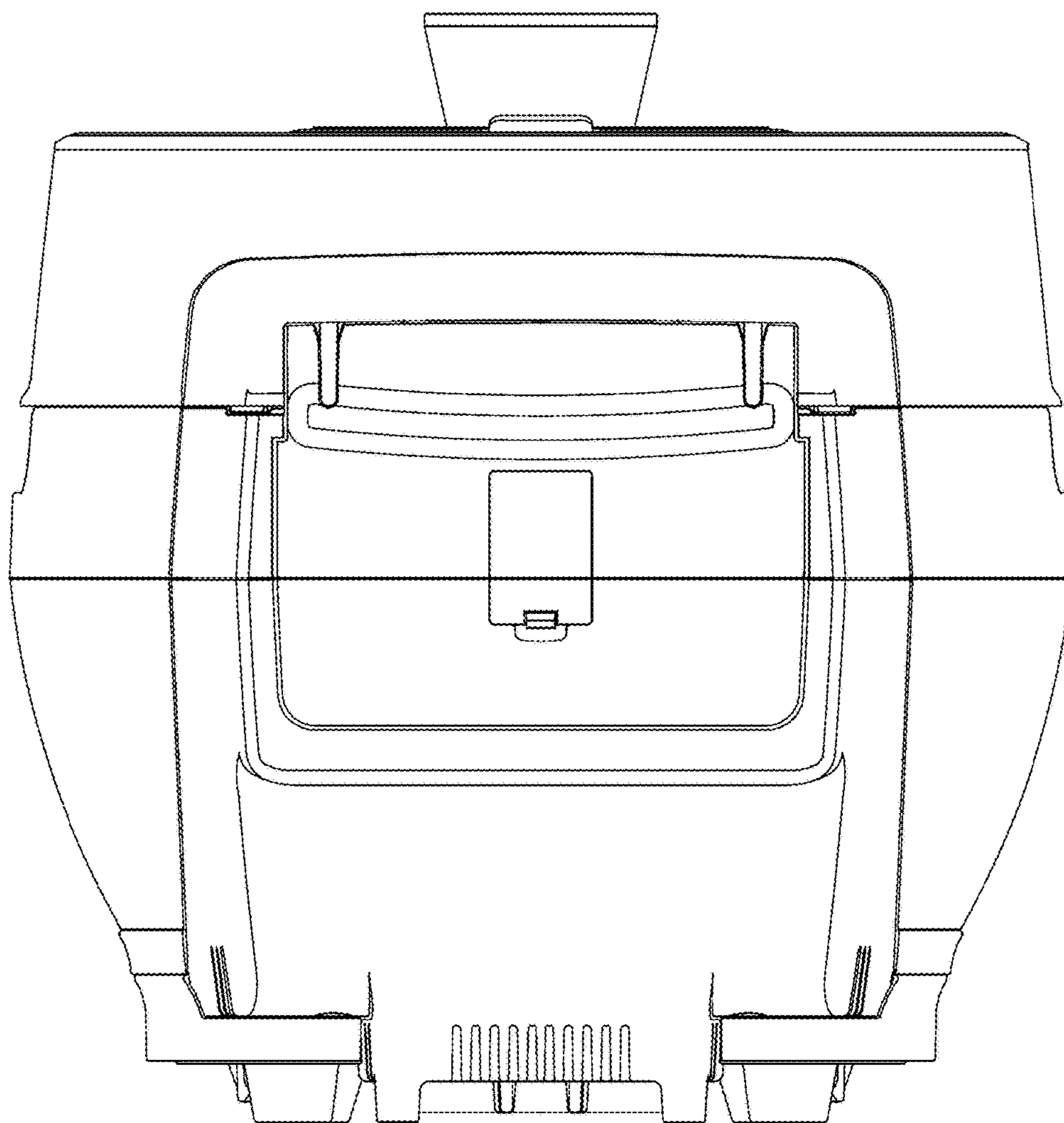


FIG. 4

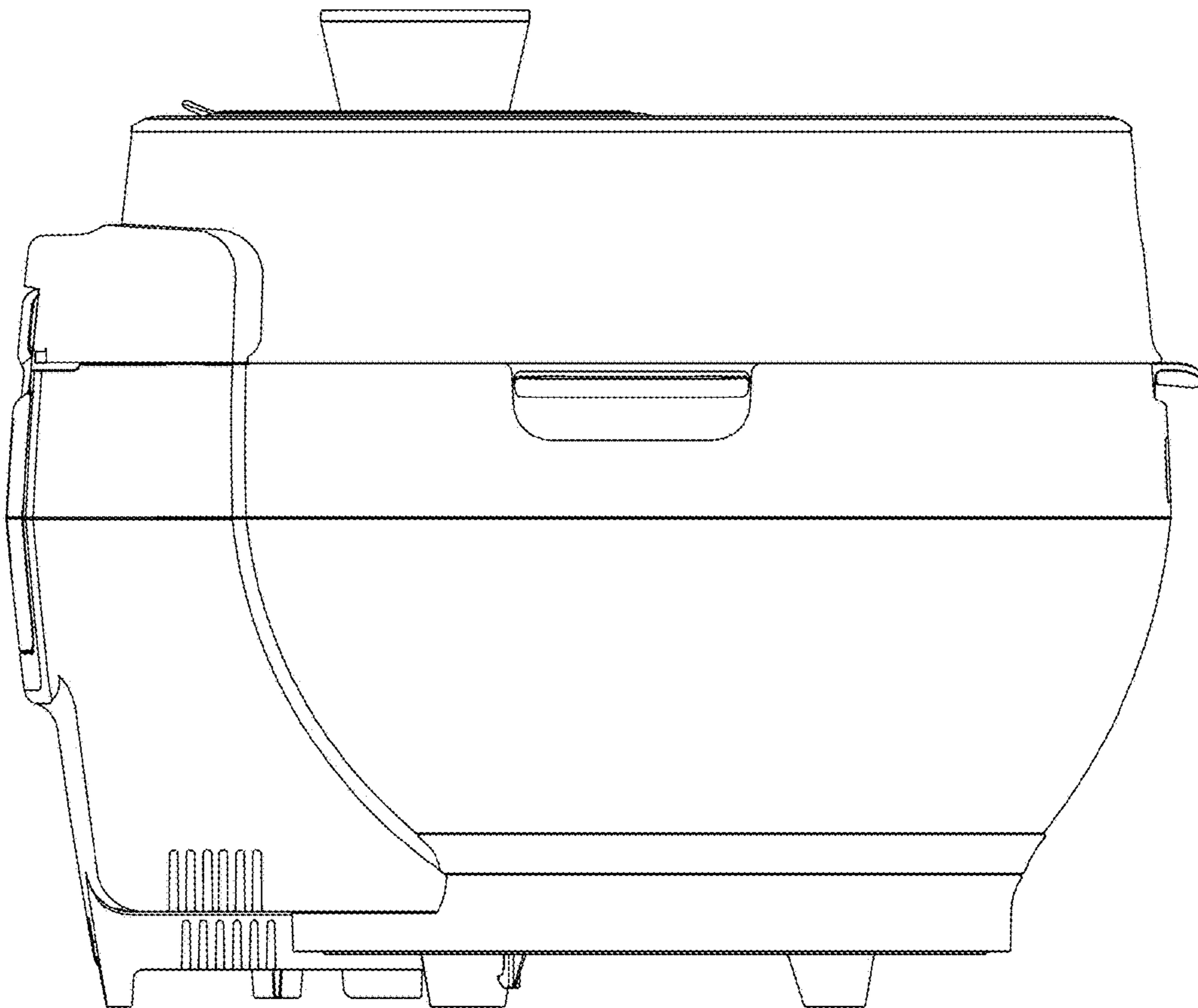


FIG. 5

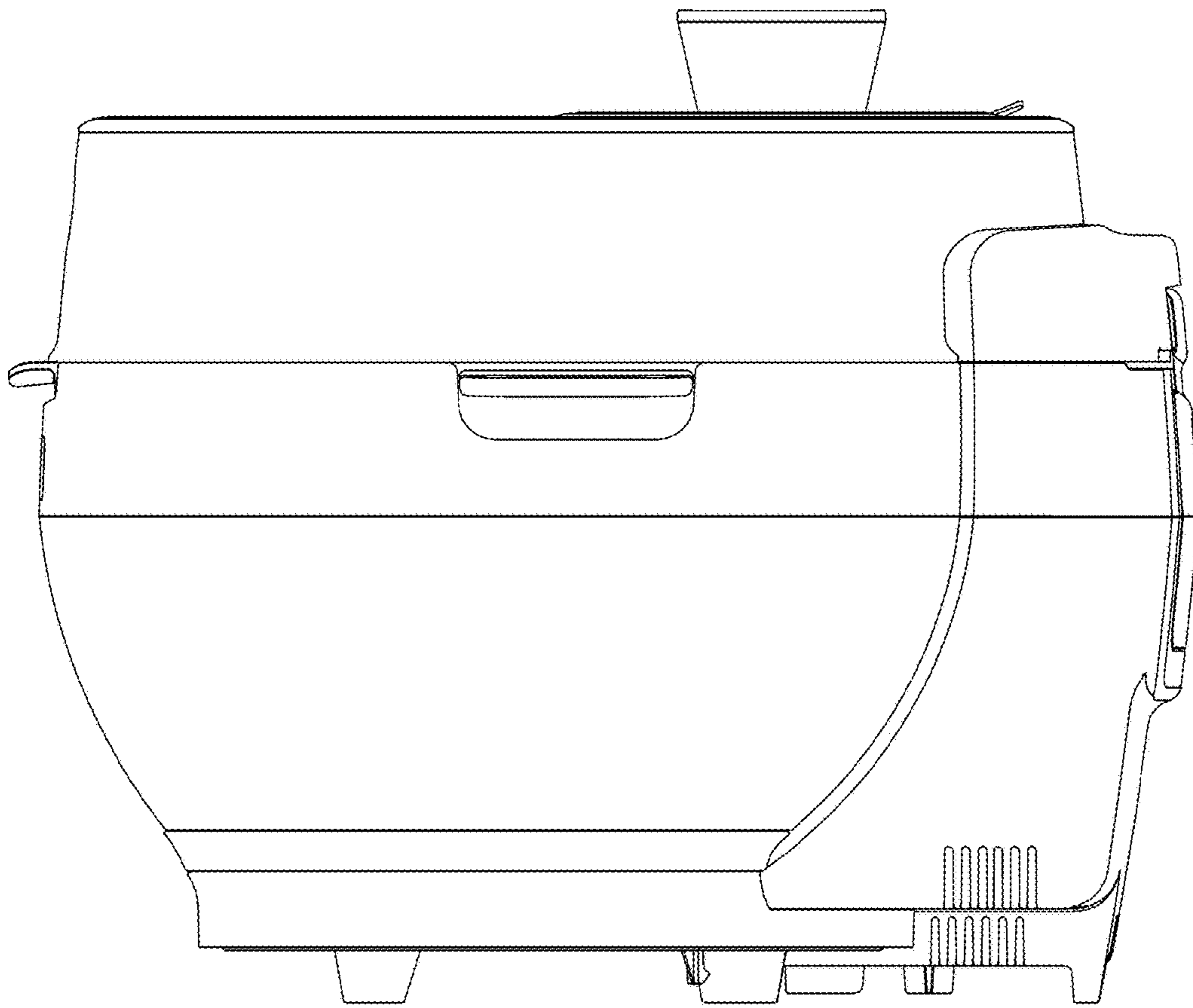


FIG. 6

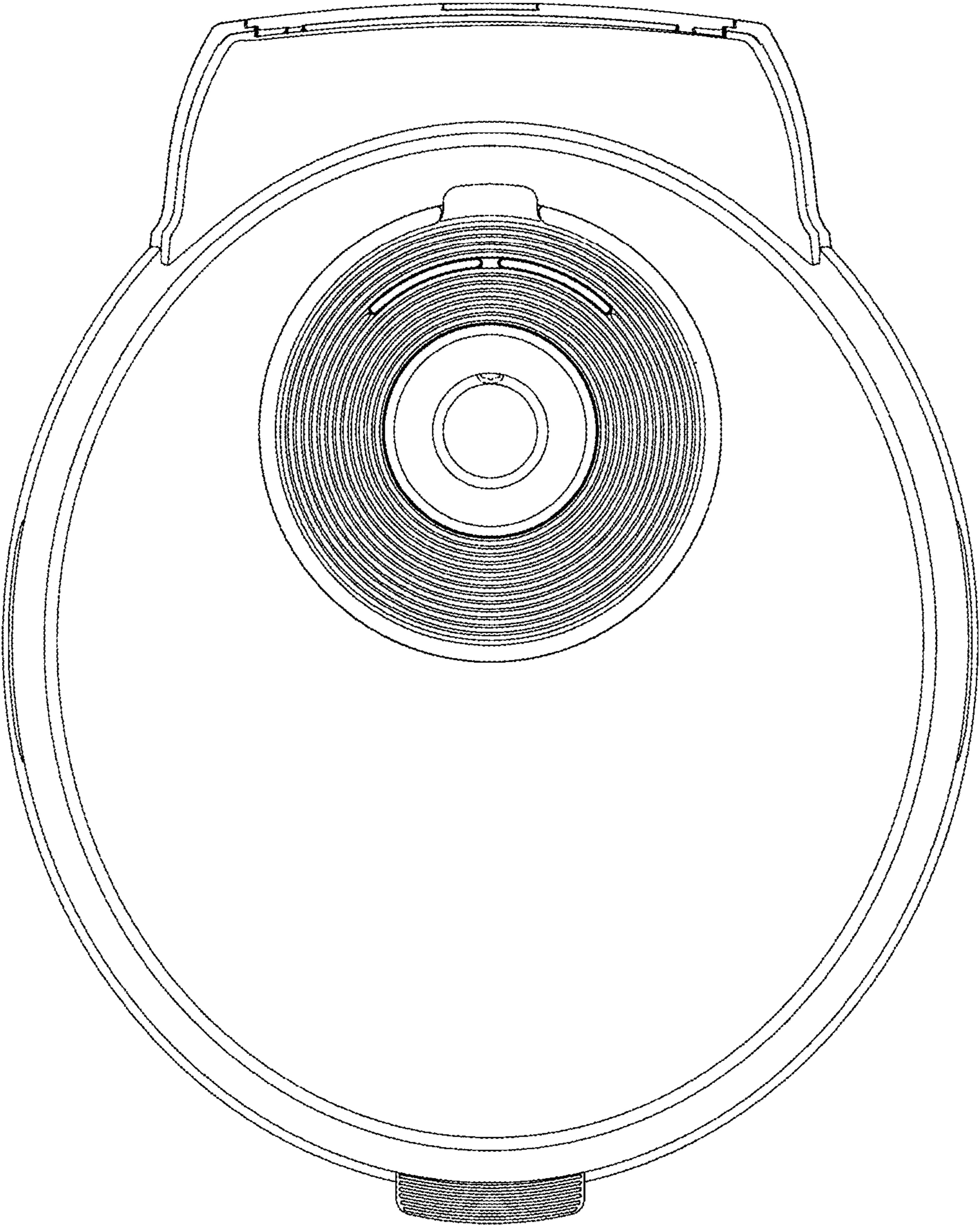


FIG. 7

