



US00D818756S

(12) **United States Design Patent** (10) **Patent No.:** **US D818,756 S**
Averty (45) **Date of Patent:** **** May 29, 2018**

(54) **ELECTRIC KETTLE**

(71) Applicant: **SEB**, Selongey (FR)

(72) Inventor: **Lionel Averty**, Dijon (FR)

(73) Assignee: **SEB**, Selongey (FR)

(**) Term: **15 Years**

(21) Appl. No.: **29/571,935**

(22) Filed: **Jul. 22, 2016**

(30) **Foreign Application Priority Data**

Jan. 22, 2016 (EM) 002955666-0002
Jan. 22, 2016 (EM) 002955666-0003

(51) **LOC (11) Cl.** **07-01**

(52) **U.S. Cl.**
USPC **D7/318; D7/319**

(58) **Field of Classification Search**
USPC D7/300, 302, 303, 305, 397, 399,
D7/316-319, 321, 600, 602, 619.1;
D9/516, 523, 524, 527, 528; D23/212
CPC A47J 27/21058; A47J 31/40; A47J 31/41;
A47G 19/12; A47G 19/14; A47G 19/145;
B01D 35/02; B65D 47/06
See application file for complete search history.

(56) **References Cited**

U.S. PATENT DOCUMENTS

D285,160 S 8/1986 Osit
4,623,457 A * 11/1986 Hankammer C02F 1/003
210/237
D322,007 S 12/1991 Adams et al.
D339,023 S 9/1993 De Coster
D345,670 S 4/1994 Piret
D362,151 S 9/1995 Wilson et al.
D362,582 S 9/1995 Wilson et al.
D366,388 S 1/1996 Alessi Anghini et al.
D390,743 S 2/1998 Saltet

D393,569 S 4/1998 Lai et al.
D399,090 S 10/1998 Green
D437,175 S 2/2001 Brady
D439,466 S 3/2001 Bouhuys
D442,014 S 5/2001 Haring et al.
D463,947 S 10/2002 Choi
D475,233 S 6/2003 De Visser
6,755,120 B1 6/2004 Lin
D494,803 S * 8/2004 Bodum D7/317
D498,384 S 11/2004 McWilliam

(Continued)

Primary Examiner — Daniel D Bui

Assistant Examiner — Andrew Kerr

(74) *Attorney, Agent, or Firm* — Loeb & Loeb LLP

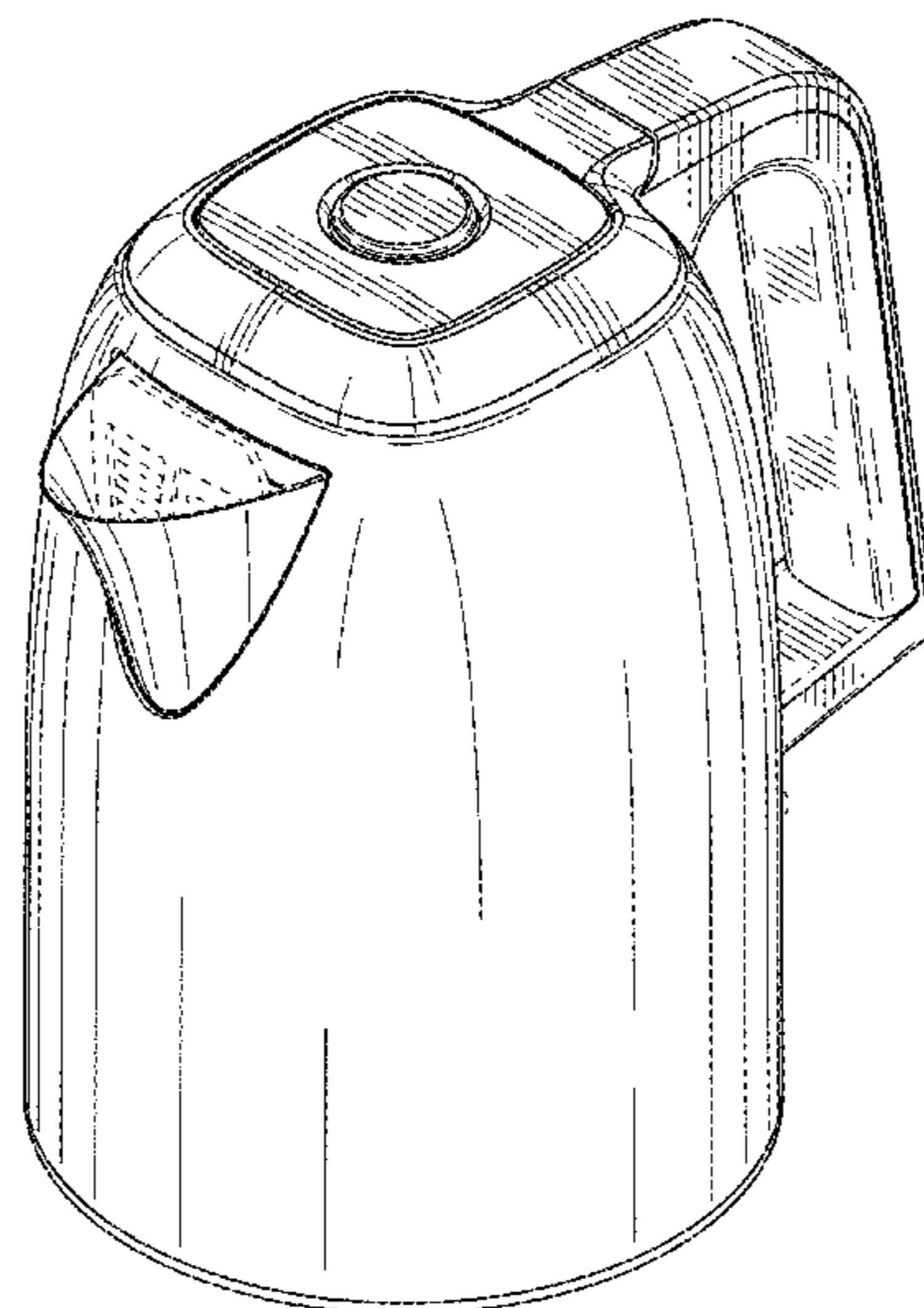
(57) **CLAIM**

The ornamental design for an electric kettle, as shown and described.

DESCRIPTION

FIG. 1 is a perspective view of a first embodiment of an electric kettle showing my new design;
FIG. 2 is a front elevational view thereof;
FIG. 3 is a rear elevational view thereof;
FIG. 4 is a right side elevational view thereof;
FIG. 5 is a left side elevational view thereof;
FIG. 6 is a top plan view thereof;
FIG. 7 is a bottom plan view thereof;
FIG. 8 is a perspective view of a second embodiment of an electric kettle showing my new design;
FIG. 9 is a front elevational view thereof;
FIG. 10 is a rear elevational view thereof;
FIG. 11 is a right side elevational view thereof;
FIG. 12 is a left side elevational view thereof;
FIG. 13 is a top plan view thereof; and,
FIG. 14 is a bottom plan view thereof.
The broken lines in the drawing views represent unclaimed portions of an electric kettle and form no part of the claimed design.

1 Claim, 14 Drawing Sheets



(56)

References Cited

U.S. PATENT DOCUMENTS

| | | | | |
|--------------|------|---------|-------------------|--------------------------|
| D498,638 | S | 11/2004 | Morrison | |
| D528,846 | S | 9/2006 | Tamura | |
| D544,288 | S | 6/2007 | Berlencourt | |
| D554,425 | S | 11/2007 | Schwamkrug | |
| D562,053 | S | 2/2008 | Cohen | |
| D581,718 | S | 12/2008 | Verdun | |
| D595,534 | S | 7/2009 | Mankowitz | |
| D599,161 | S | 9/2009 | Friel, Sr. et al. | |
| D602,304 | S | 10/2009 | Elissen | |
| D603,209 | S * | 11/2009 | Bodum | D7/317 |
| D607,686 | S | 1/2010 | Elissen | |
| D630,882 | S | 1/2011 | Cohen | |
| D658,925 | S | 5/2012 | Horimoto | |
| D666,865 | S | 9/2012 | Spivey et al. | |
| D686,034 | S | 7/2013 | Bodum | |
| 8,536,490 | B2 | 9/2013 | Zhang et al. | |
| D703,479 | S | 4/2014 | Norland et al. | |
| D709,724 | S | 7/2014 | Mander | |
| D714,581 | S | 10/2014 | Shao | |
| D726,486 | S | 4/2015 | Averty | |
| D727,675 | S * | 4/2015 | Garvey | D7/319 |
| D731,226 | S | 6/2015 | Sun | |
| D747,130 | S | 1/2016 | Kunz | |
| D752,911 | S * | 4/2016 | Bazzicalupo | D7/317 |
| D777,500 | S * | 1/2017 | Lee | D7/317 |
| D788,511 | S * | 6/2017 | Powell | D7/318 |
| D796,247 | S * | 9/2017 | Bazzicalupo | D7/317 |
| 2012/0145698 | A1 * | 6/2012 | Von Seidel | A47J 27/21016 219/438 |

* cited by examiner

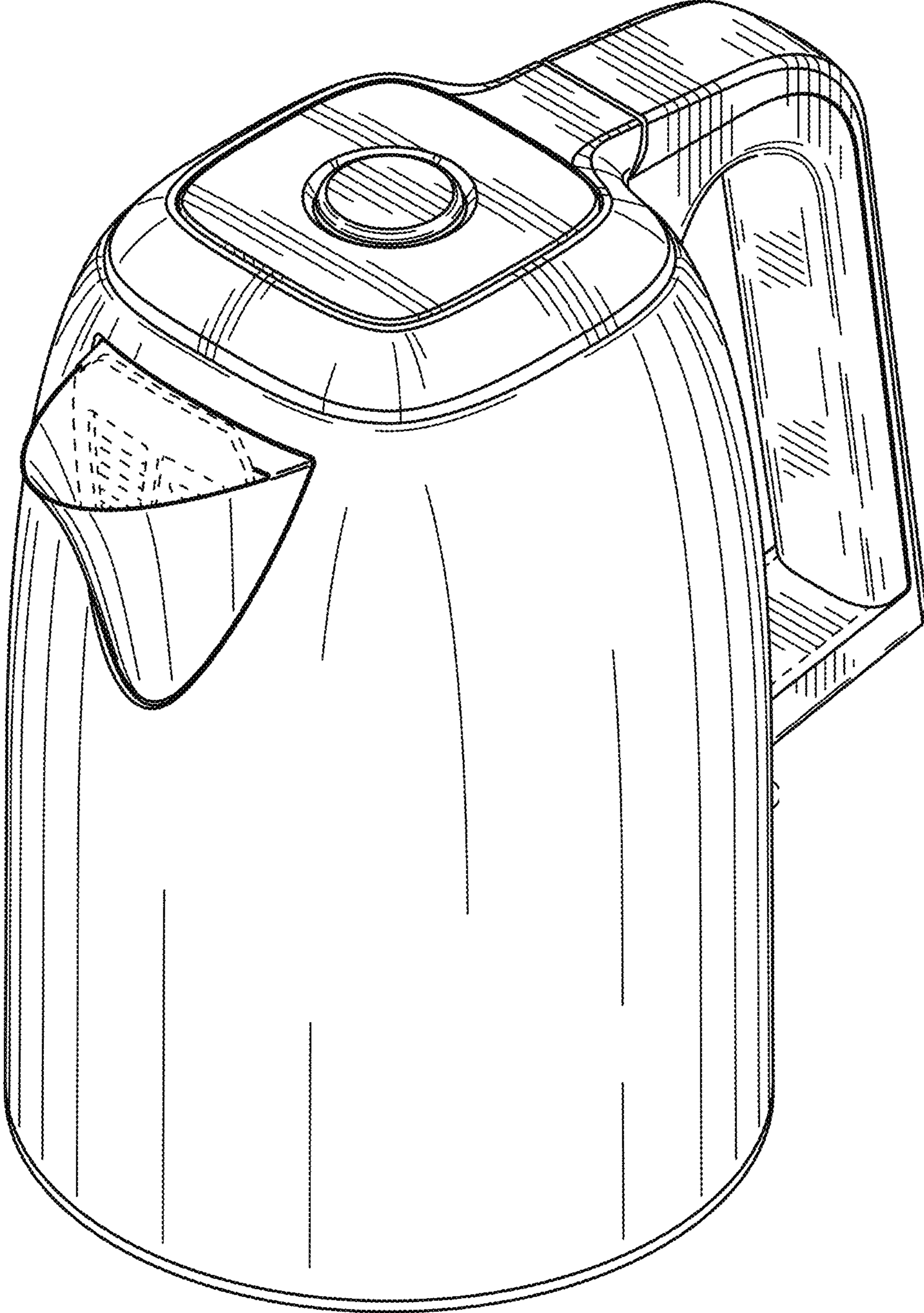


FIG. 1

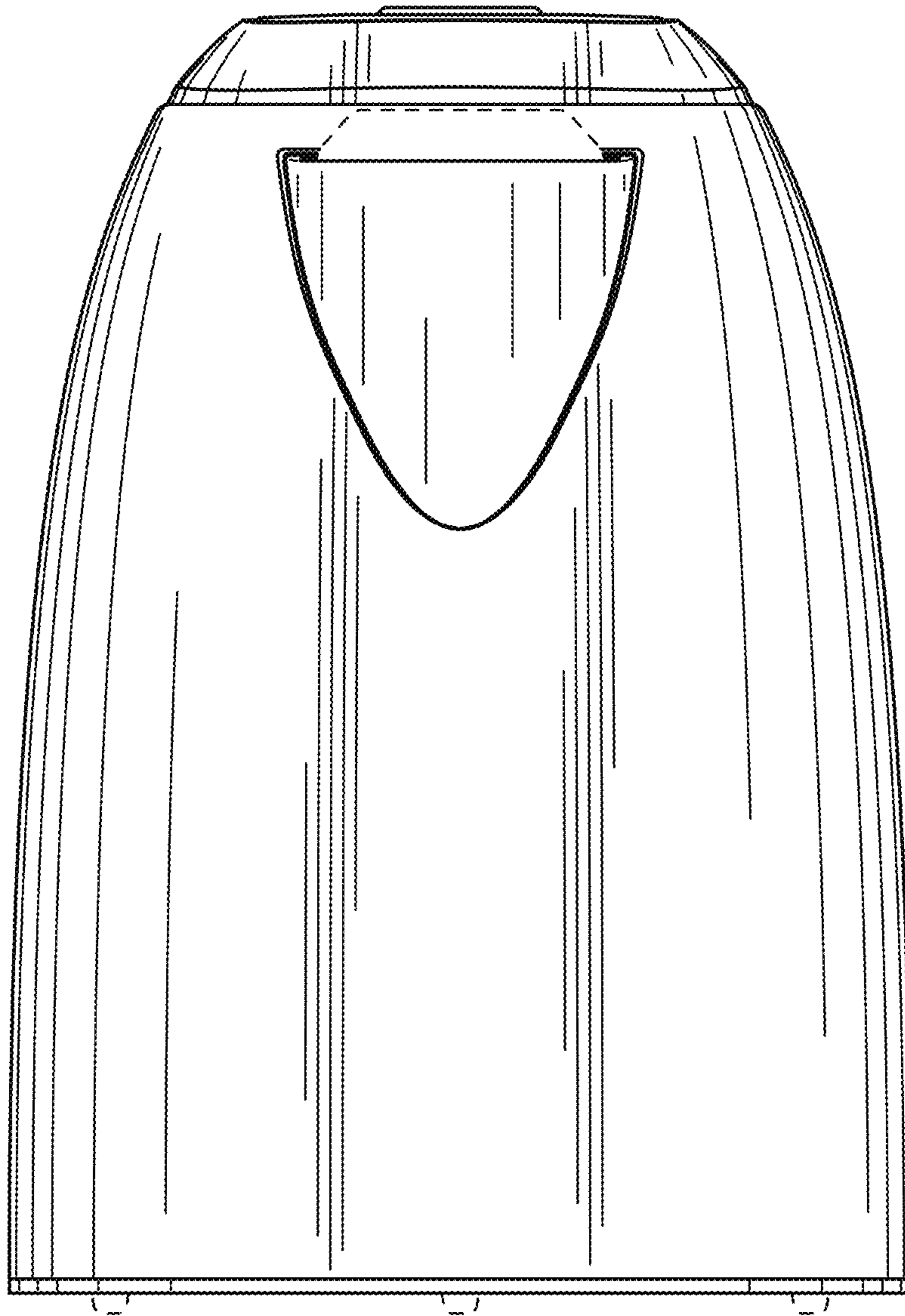


FIG. 2

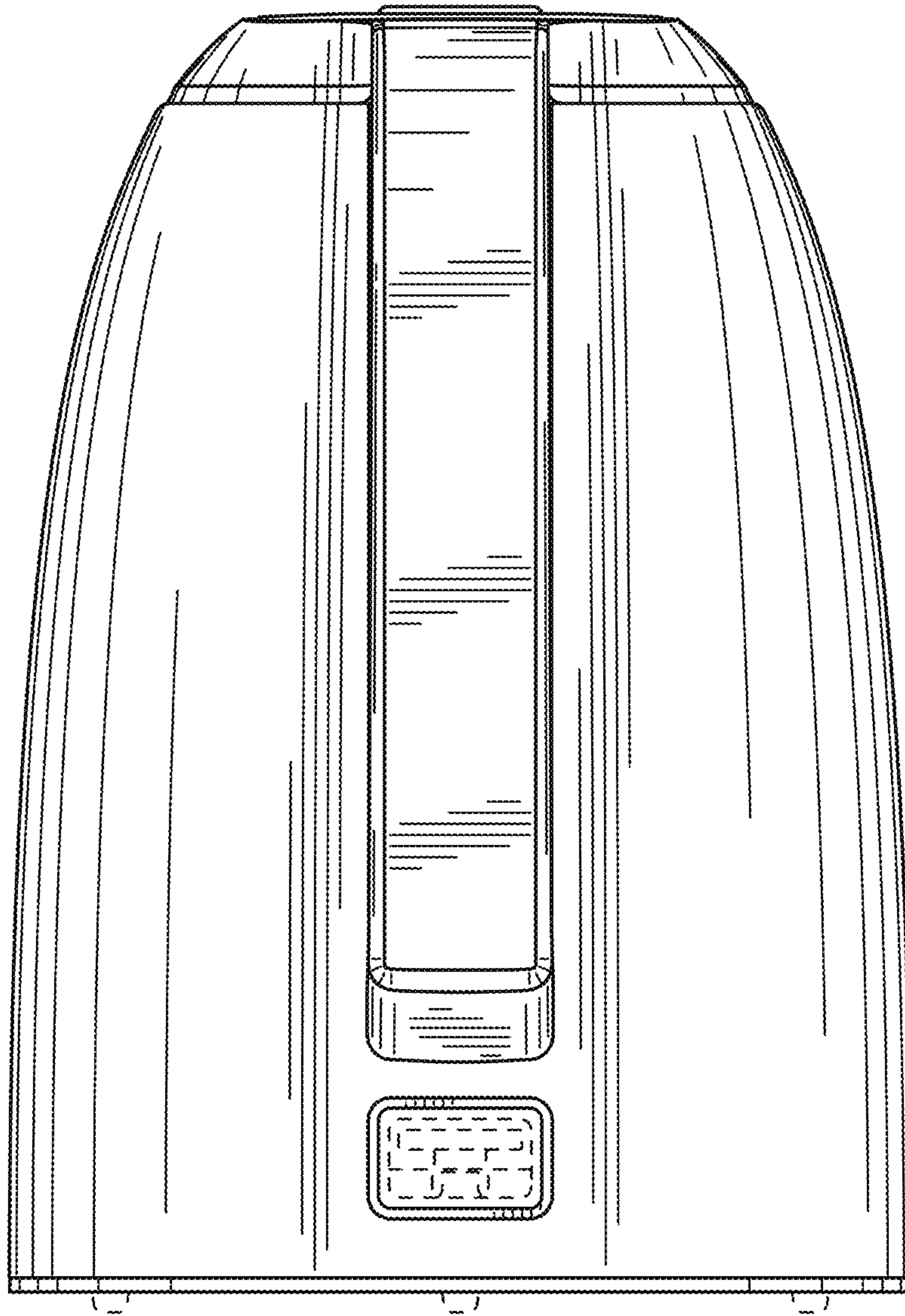


FIG. 3

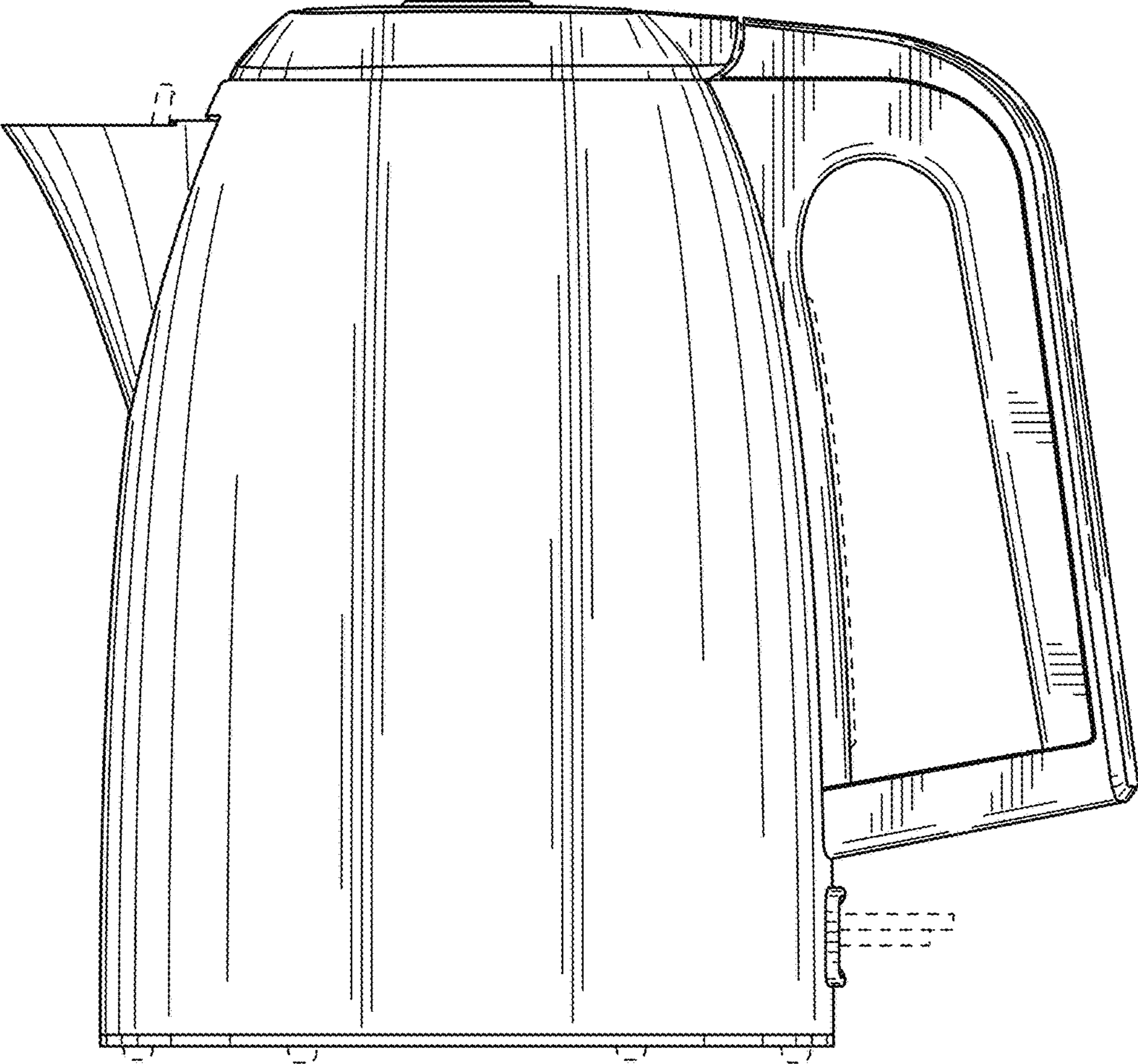


FIG. 4

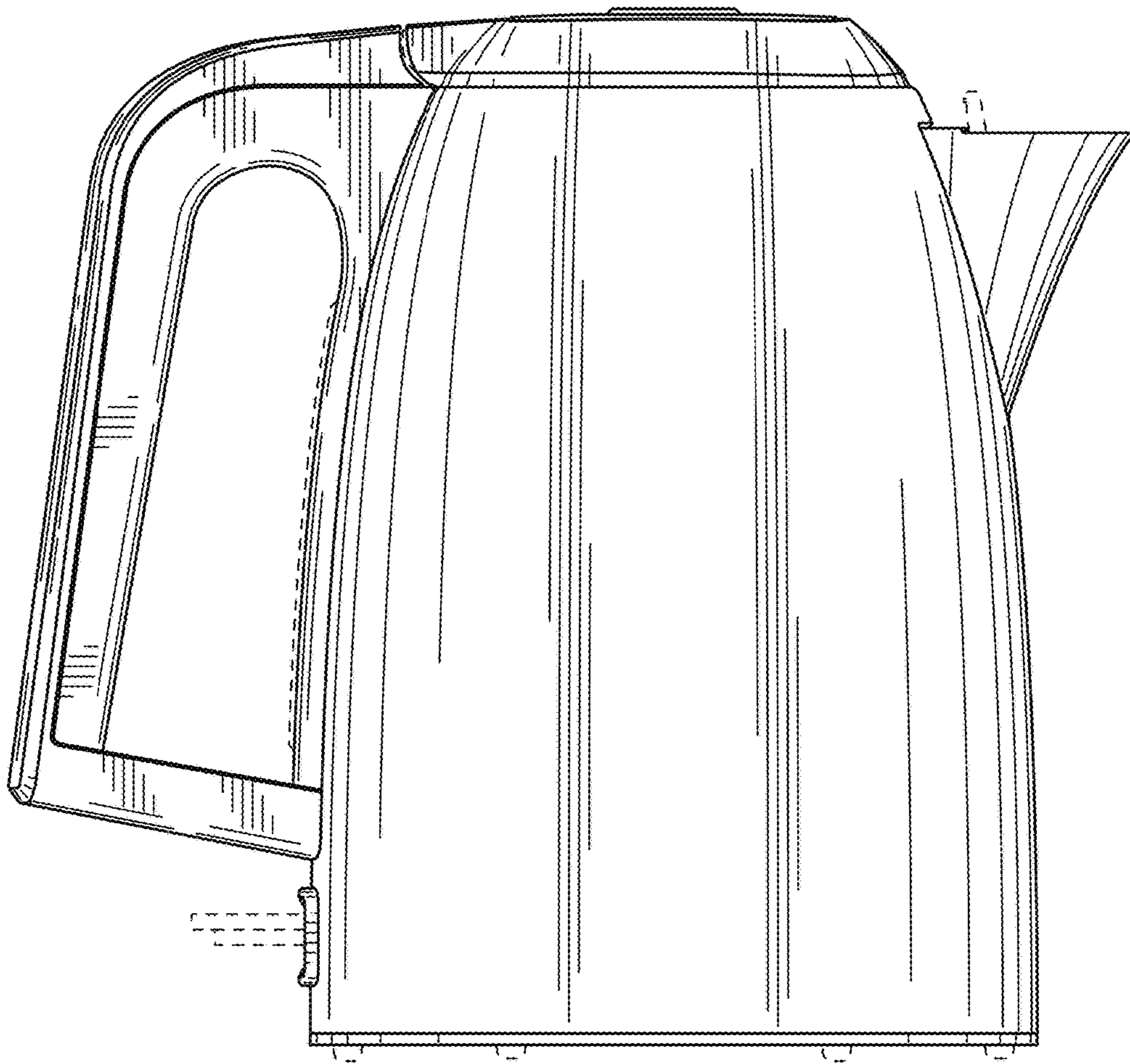


FIG. 5

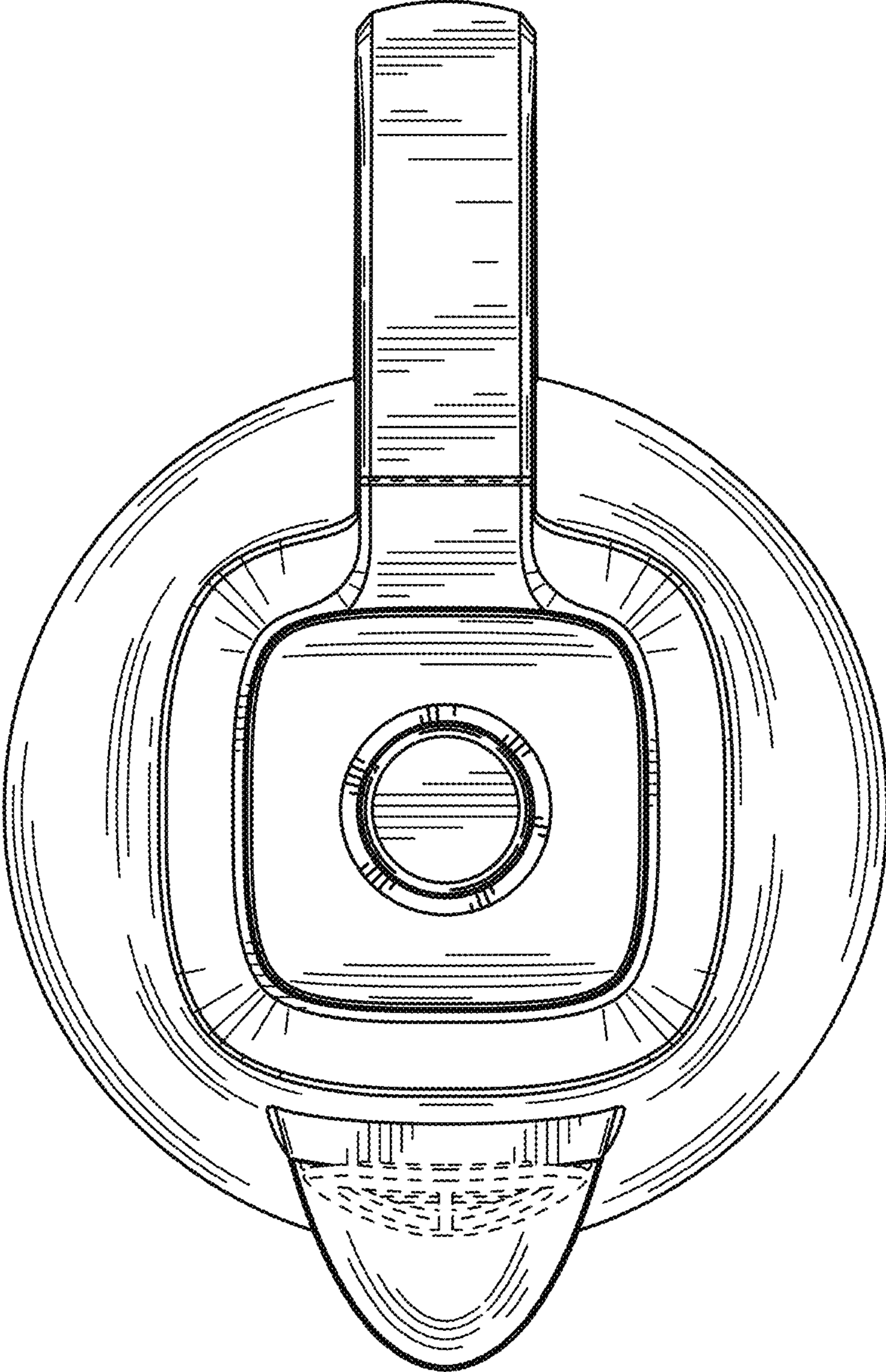


FIG. 6

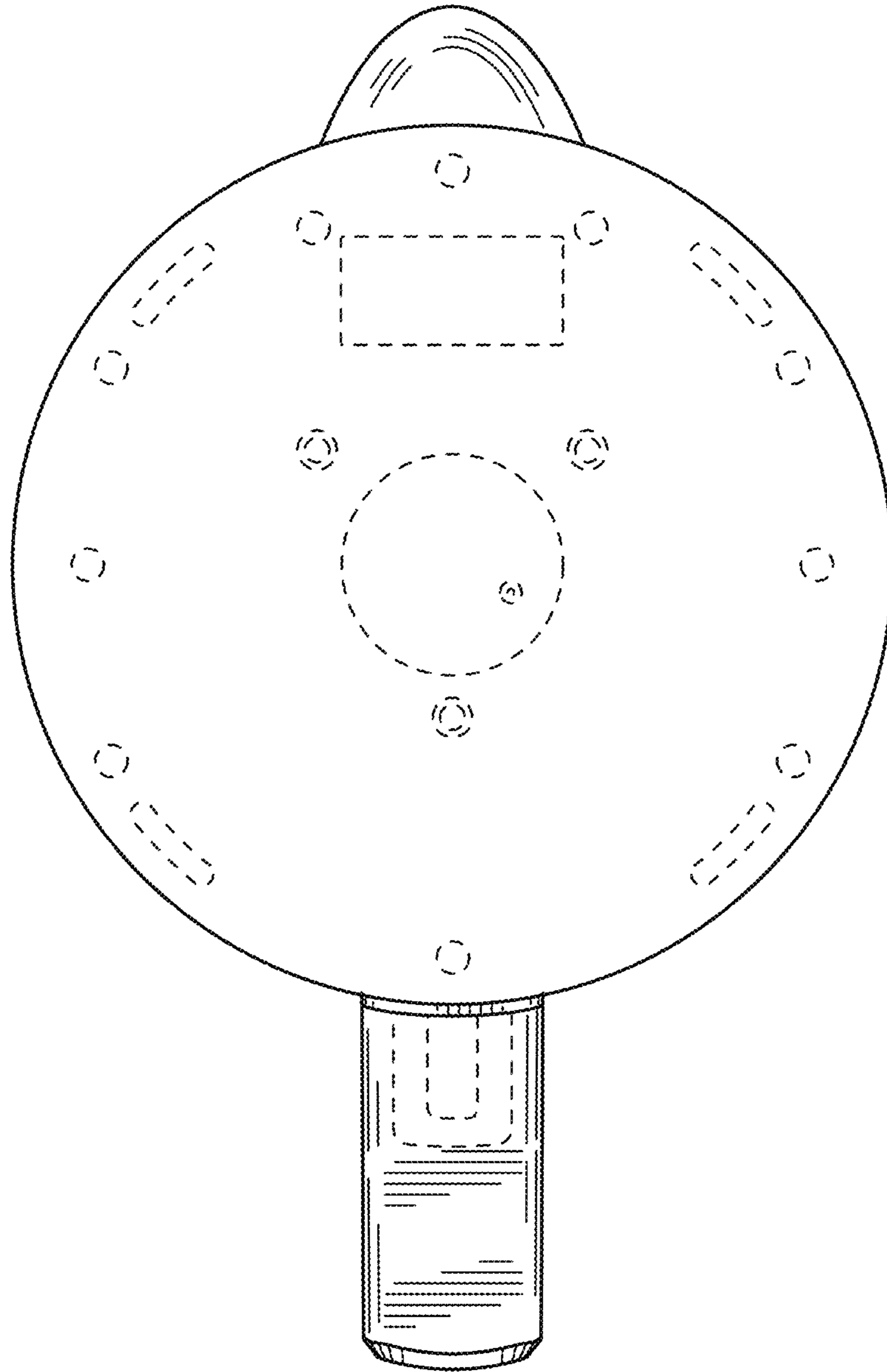


FIG. 7

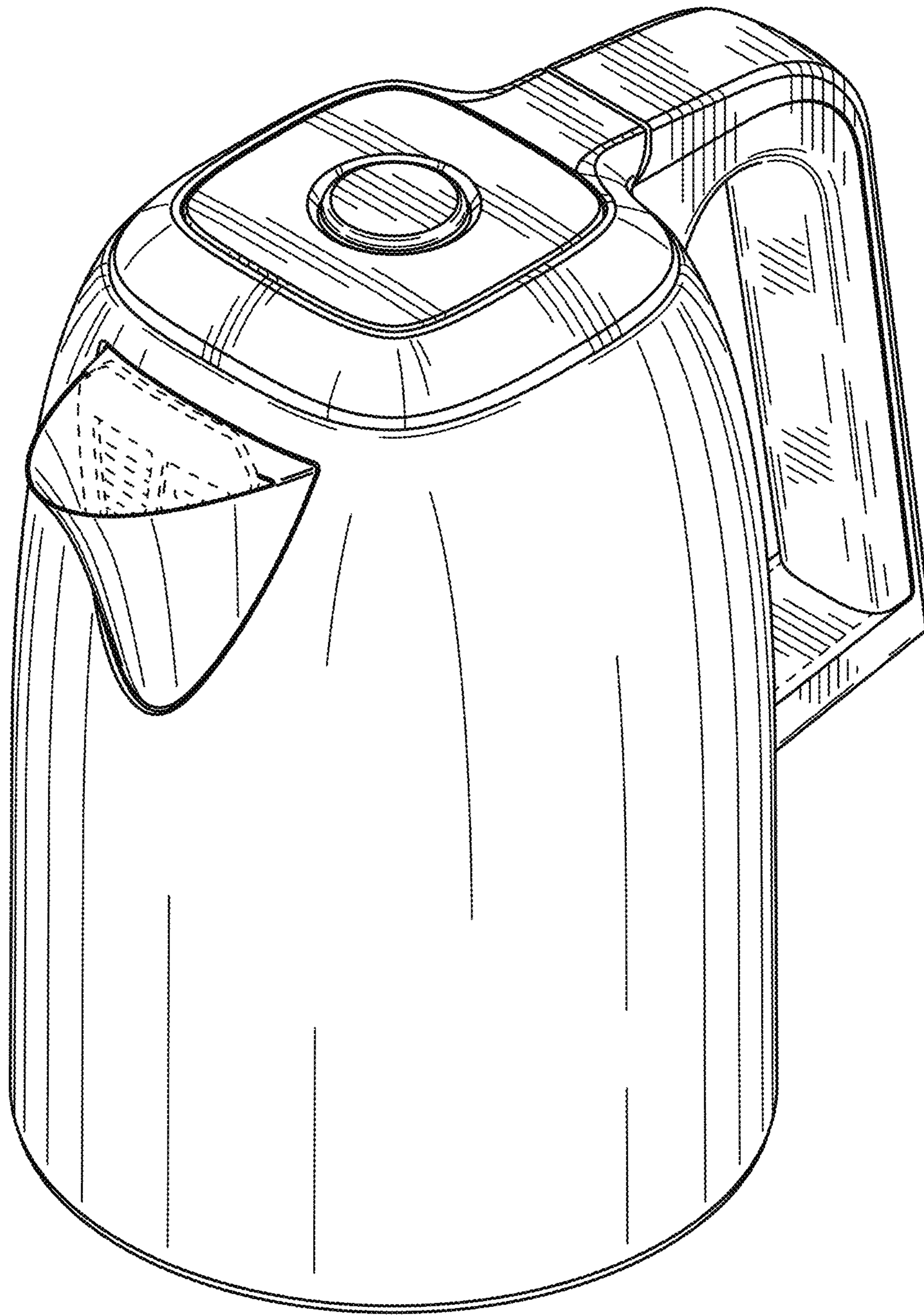


FIG. 8

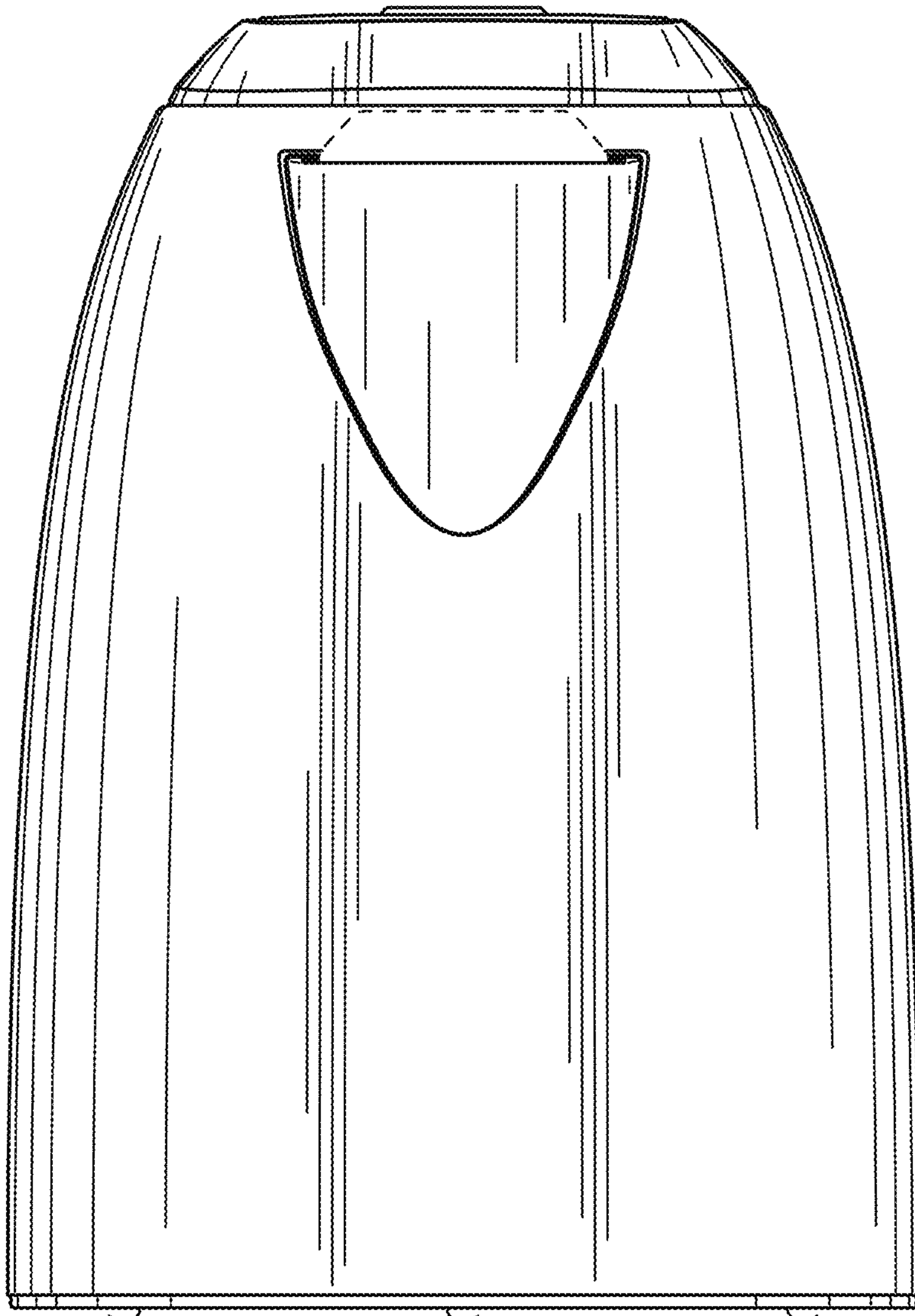


FIG. 9

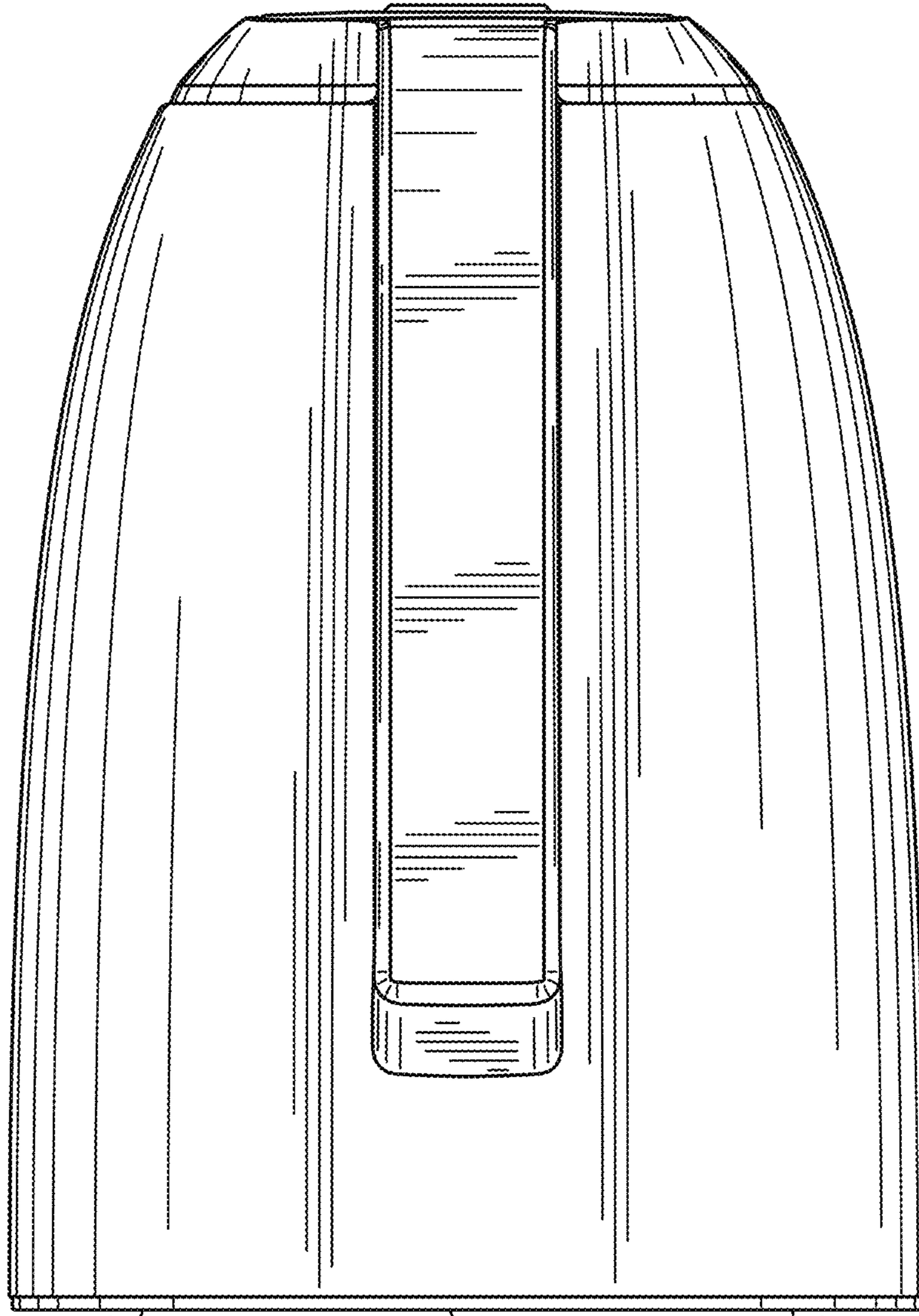


FIG. 10

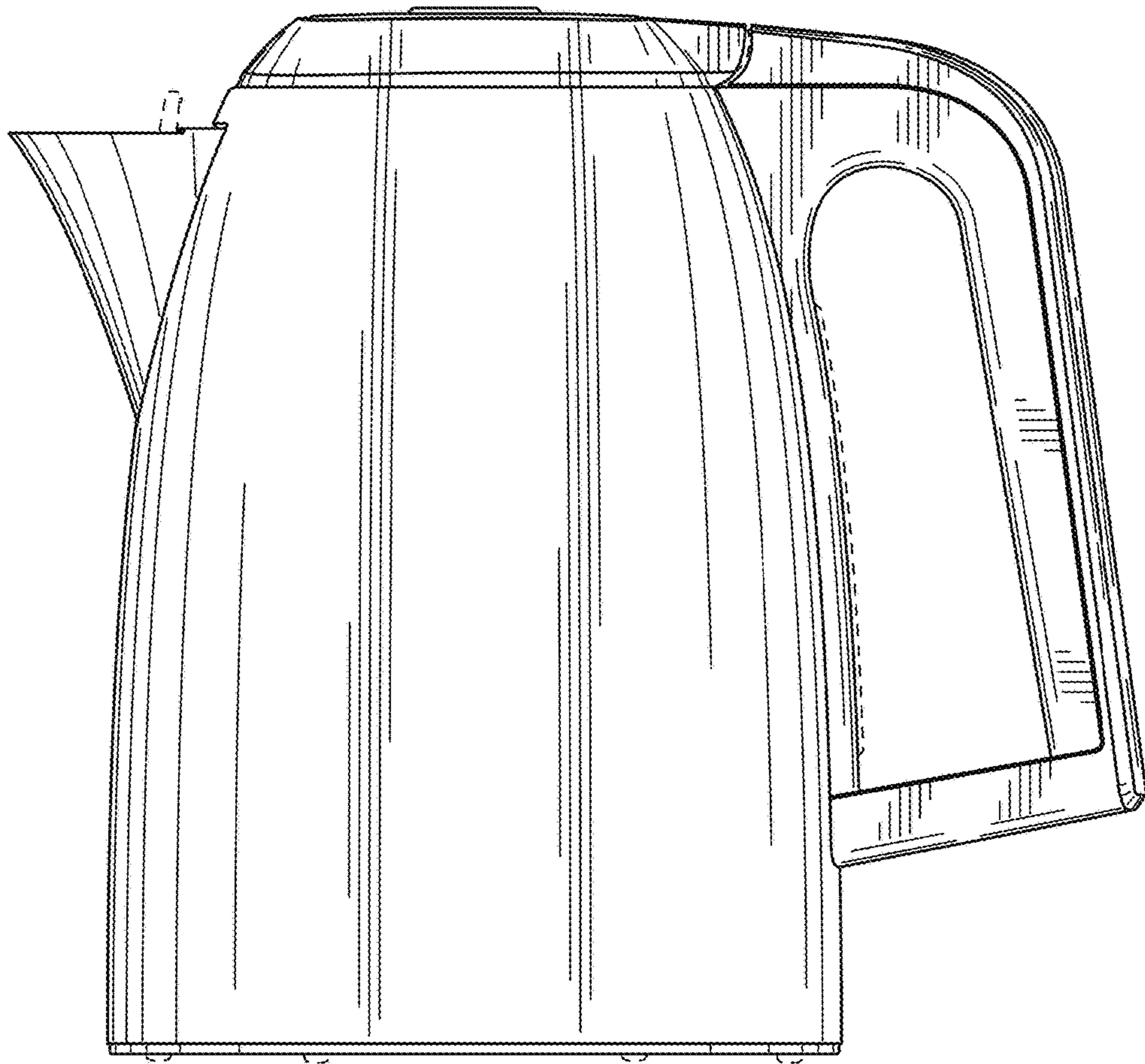


FIG. 11

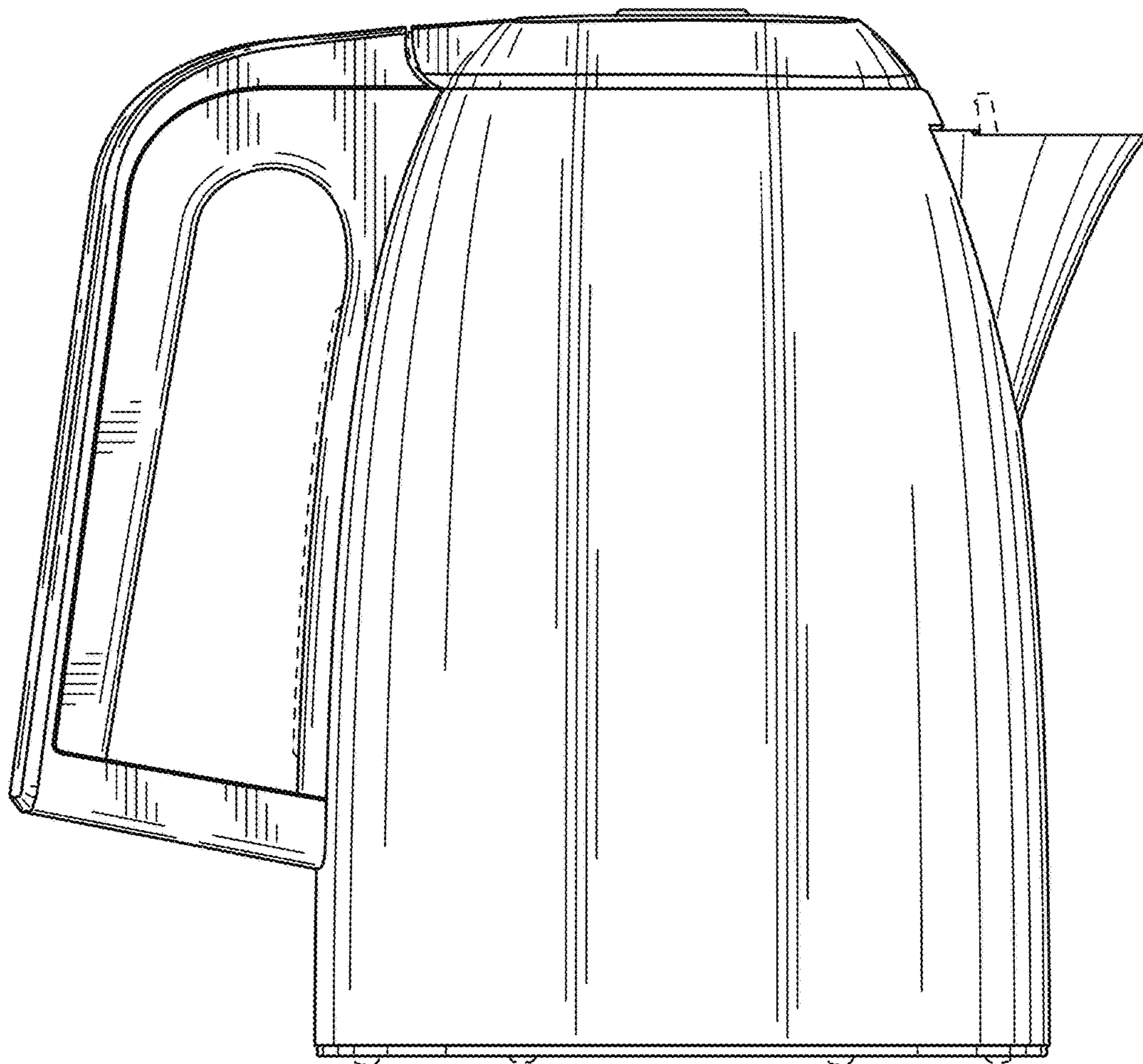


FIG. 12

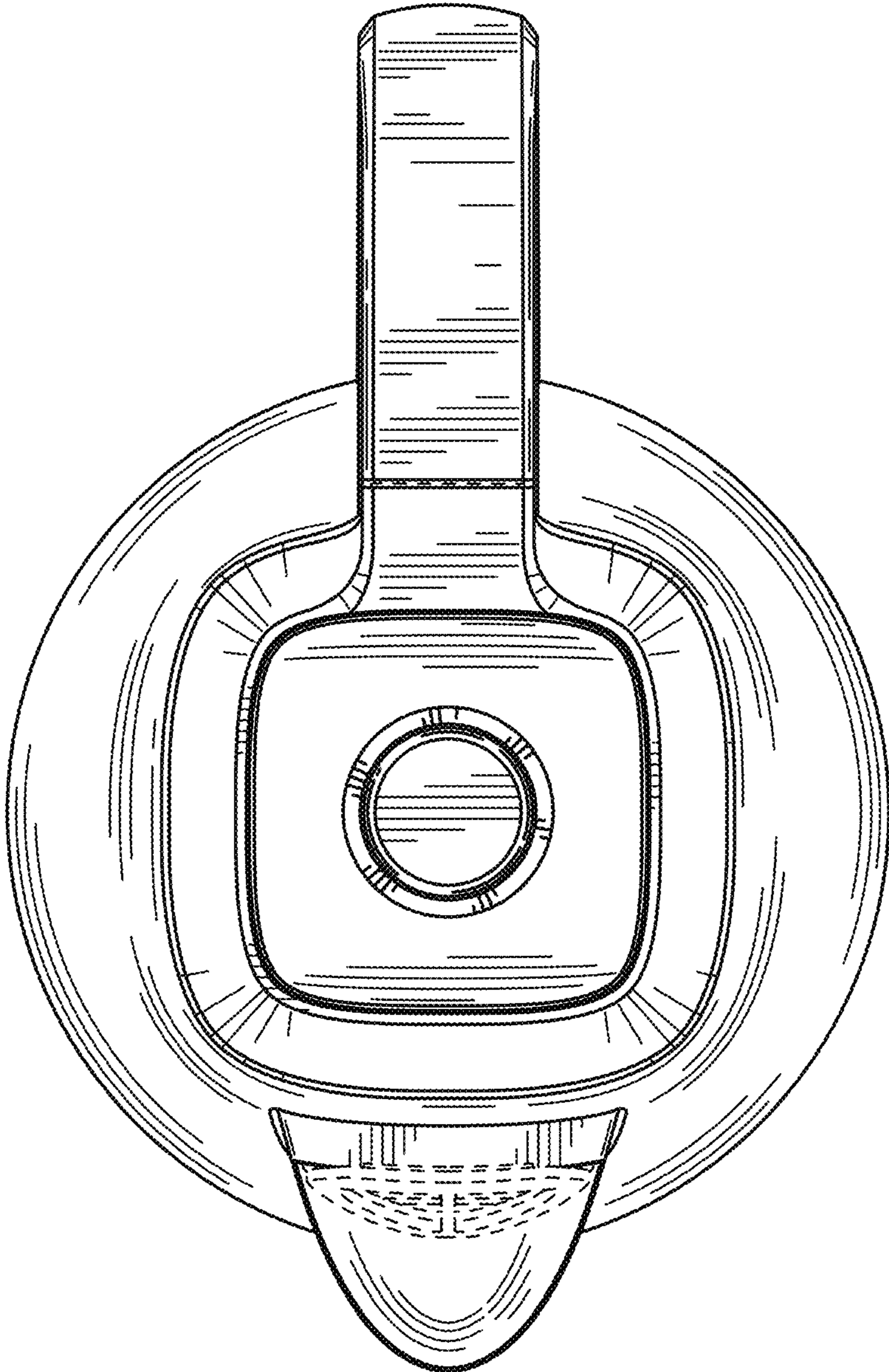


FIG. 13

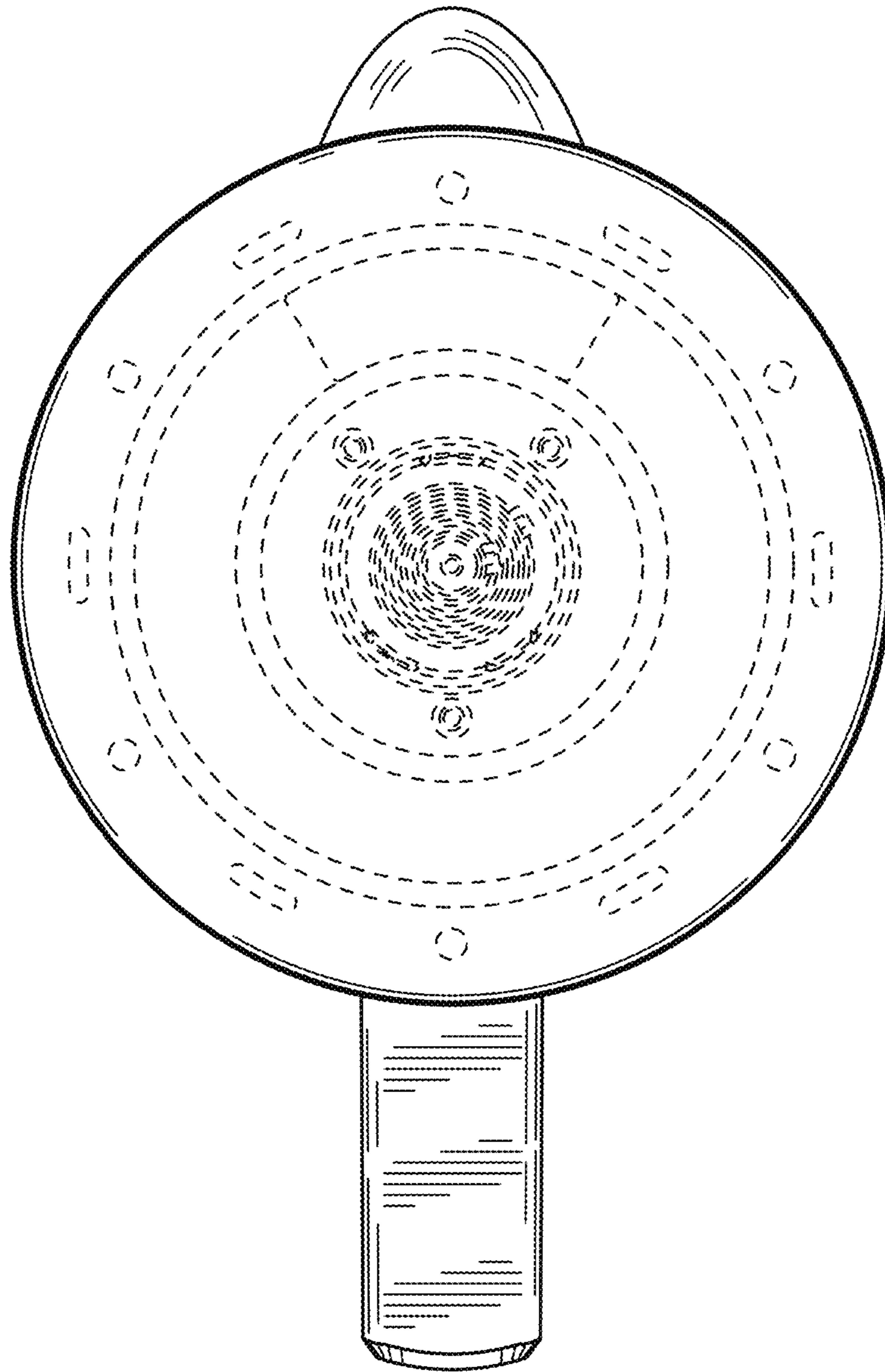


FIG. 14