



US00D818751S

(12) **United States Design Patent**
Merritt

(10) **Patent No.:** **US D818,751 S**
(45) **Date of Patent:** **** May 29, 2018**

(54) **TABLE BASE**

A47C 7/004; A47C 7/006; A47C 7/18;
A47C 7/022; A47C 7/24; A47C 7/50;
A47C

(71) Applicant: **Liberty Procurement Co. Inc.**, Union,
NJ (US)

(Continued)

(72) Inventor: **John Merritt**, Brooklyn, NY (US)

(56)

References Cited

(73) Assignee: **Liberty Procurement Co., Inc.**, Union,
NJ (US)

U.S. PATENT DOCUMENTS

(**) Term: **15 Years**

D33,437 S 10/1900 Haskell
1,351,013 A 8/1920 Stine

(Continued)

(21) Appl. No.: **29/582,752**

(22) Filed: **Oct. 31, 2016**

OTHER PUBLICATIONS

“Mylon Table by Team 7” Jan. 16, 2014, architonic.com, site visited
Sep. 21, 2017 <<https://www.architonic.com/en/product/team-7-mylon-table/1241773>> (Year: 2014).*

(Continued)

Related U.S. Application Data

(62) Division of application No. 29/527,682, filed on May
21, 2015, now Pat. No. Des. 783,329.

(51) **LOC (11) Cl.** **06-06**

(52) **U.S. Cl.**

USPC **D6/708**

(58) **Field of Classification Search**

USPC D6/334–336, 349, 351, 352, 358, 360,
D6/364, 365, 366, 374, 375, 379, 380,
D6/657, 662.1, 672, 674, 675, 675.1,
D6/675.3, 683, 683.1, 685, 691, 691.5,
D6/702, 708, 708.2, 708.21, 708.25, 716,
D6/716.1–716.4; D3/304, 307, 309;
D7/550.1, 554.3

CPC A47B 7/00; A47B 2200/001; A47B
2200/002; A47B 2200/0011–2200/0014;
A47B 2200/0021–2200/0023; A47B
2200/0026; A47B 2200/0027; A47B
2200/0039; A47B 13/02; A47B
13/021–13/028; A47B 2009/006; A47B
57/402; A47B 67/00; A47B 87/0207;
A47B 96/00; A47B 96/02; A47B 43/00;
A47B 63/00; A47C 1/04; A47C 1/03255;
A47C 1/0255; A47C 3/00; A47C 3/18;
A47C 3/026; A47C 4/02; A47C 4/028;
A47C 4/54; A47C 7/00; A47C 7/002;

Primary Examiner — Kevin K Rudzinski

Assistant Examiner — Paul D Bohannon

(74) *Attorney, Agent, or Firm* — Lerner, David,
Littenberg, Krumholz & Mentlik, LLP

(57)

CLAIM

The ornamental design for a table base, as shown and
described.

DESCRIPTION

FIG. 1 is a perspective view of a table base according to my
new design;

FIG. 2 is a right-side elevation view thereof;

FIG. 3 is a left-side elevation view thereof;

FIG. 4 is a front elevation view thereof;

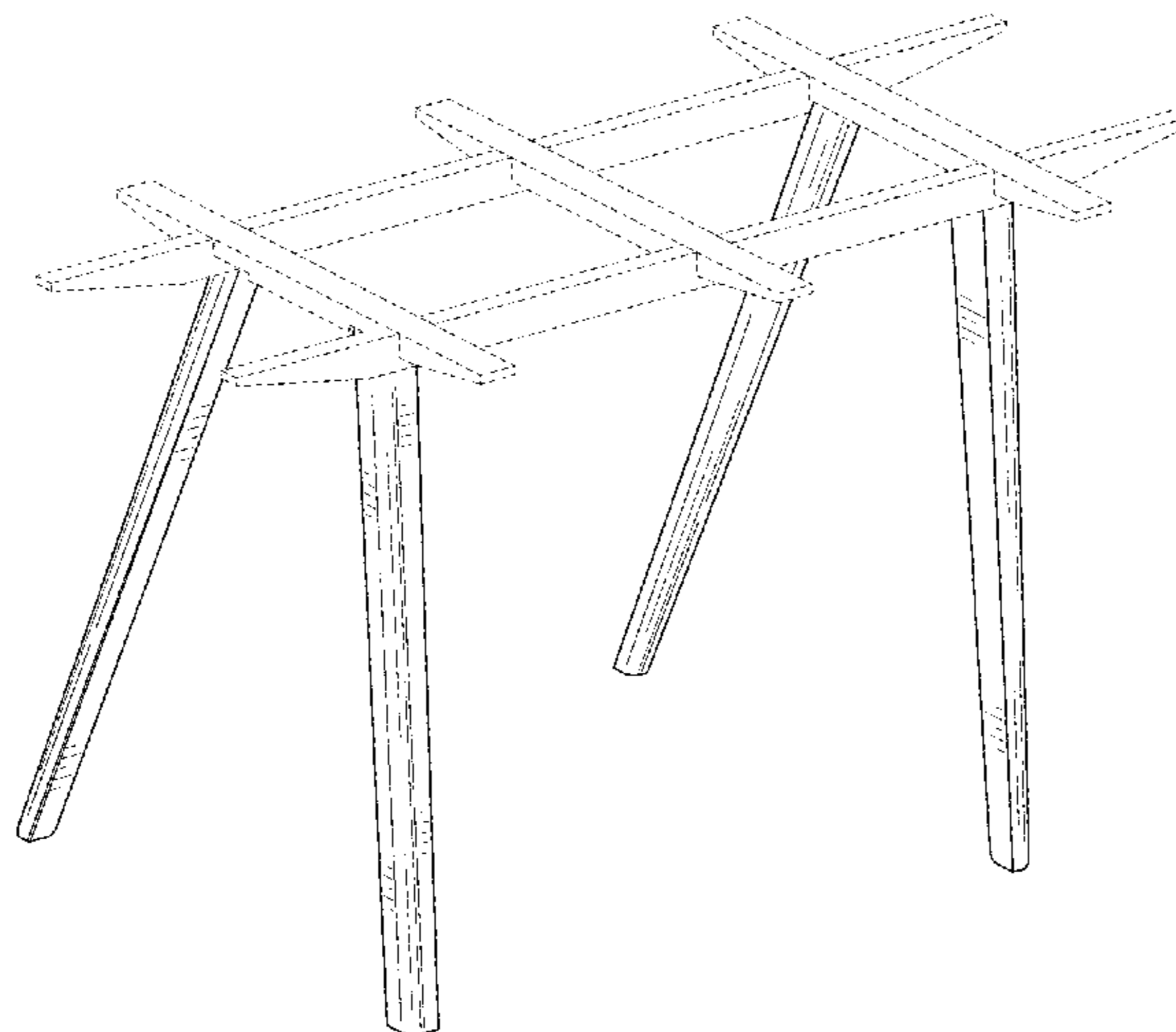
FIG. 5 is a back elevation view thereof;

FIG. 6 is a top plan view thereof; and,

FIG. 7 is a bottom plan view thereof.

The broken lines shown in the drawings represent portions
of the table base that form no part of the claimed design.

1 Claim, 6 Drawing Sheets



- (58) **Field of Classification Search**
 CPC .. 9/002; A47C 9/007; A47D 7/00; A47F 1/00;
 A47F 3/00; A47F 3/06; A47F 3/14; A47F
 7/00; B65D 1/34; B65D 81/3813; B65D
 21/00; B65D 5/545; B65D 5/26; B65D
 5/0015; B65D 5/0045

See application file for complete search history.

- (56) **References Cited**

U.S. PATENT DOCUMENTS

2,257,550	A	9/1941	Gay	
2,843,437	A	7/1958	Dorsey et al.	
3,869,993	A *	3/1975	Edlund	A47B 13/003 108/64
RE30,689	E	7/1981	Gray et al.	
4,789,122	A	12/1988	Gutgsell	
5,435,254	A *	7/1995	Amev	A47B 13/003 108/64
D367,193	S	2/1996	Dame et al.	
5,678,491	A *	10/1997	Price	A47B 3/0912 108/115
D386,328	S	11/1997	Good	
D396,974	S	8/1998	D'Urbino et al.	
6,182,578	B1	2/2001	Fanuzzi	
6,536,357	B1 *	3/2003	Hiestand	A47B 9/04 108/144.11
6,908,373	B1	6/2005	Ohman et al.	
7,147,083	B1 *	12/2006	Colgrove	B25H 1/06 182/153
D585,218	S	1/2009	Hamilton et al.	
9,038,549	B1	5/2015	Zebarjad	
9,215,923	B1 *	12/2015	Boone	A47B 3/06
D751,328	S	3/2016	Zdanius	
D764,848	S	8/2016	Gill et al.	

9,526,328	B2 *	12/2016	Illulian	A47B 3/06
D783,329	S *	4/2017	Merritt	D6/708
D797,478	S *	9/2017	Merritt	D6/691
2002/0108481	A1	8/2002	Logan	
2003/0172853	A1	9/2003	Stathis et al.	
2004/0006944	A1 *	1/2004	Miyamoto	E04F 15/14 52/506.01
2004/0221882	A1	11/2004	Watson et al.	
2004/0222042	A1	11/2004	van der Pol	
2005/0060891	A1 *	3/2005	Anderson	B26B 3/08 30/170
2005/0174725	A1	8/2005	Hodara	
2006/0096506	A1 *	5/2006	Brauning	A47B 13/02 108/50.02
2006/0162626	A1	7/2006	Brauning et al.	
2012/0000402	A1	1/2012	Jimenez Mangas et al.	
2013/0193283	A1	8/2013	Miller	
2013/0216770	A1 *	8/2013	Gilbertson	B29B 11/16 428/121
2015/0150370	A1	6/2015	Korb et al.	
2016/0192771	A1 *	7/2016	Hoff	A47B 3/06 248/165

OTHER PUBLICATIONS

Hovey, Jimmy, "The Story Behind a Big Reclaimed Wood Table, The Big Berkeley" Jul. 11, 2014, The Reclaimed Wood Guy Blog, site visited Nov. 7, 2016 <<http://www.reclaimedwoodinc.com/reclaimed-wood-guy-blog/bid/391321/Reclaimed-Wood-Table-The-Story-Behind-Building-BIG-Berkeley>>.
 "Ibi's Table Base for Glass Top Dining Table" Feb. 1, 2014, Custom Made, site visited Sep. 16, 2016 <<https://www.custommade.com/table-base-for-glass-top-dining-table/by/jonathan/>>.

* cited by examiner

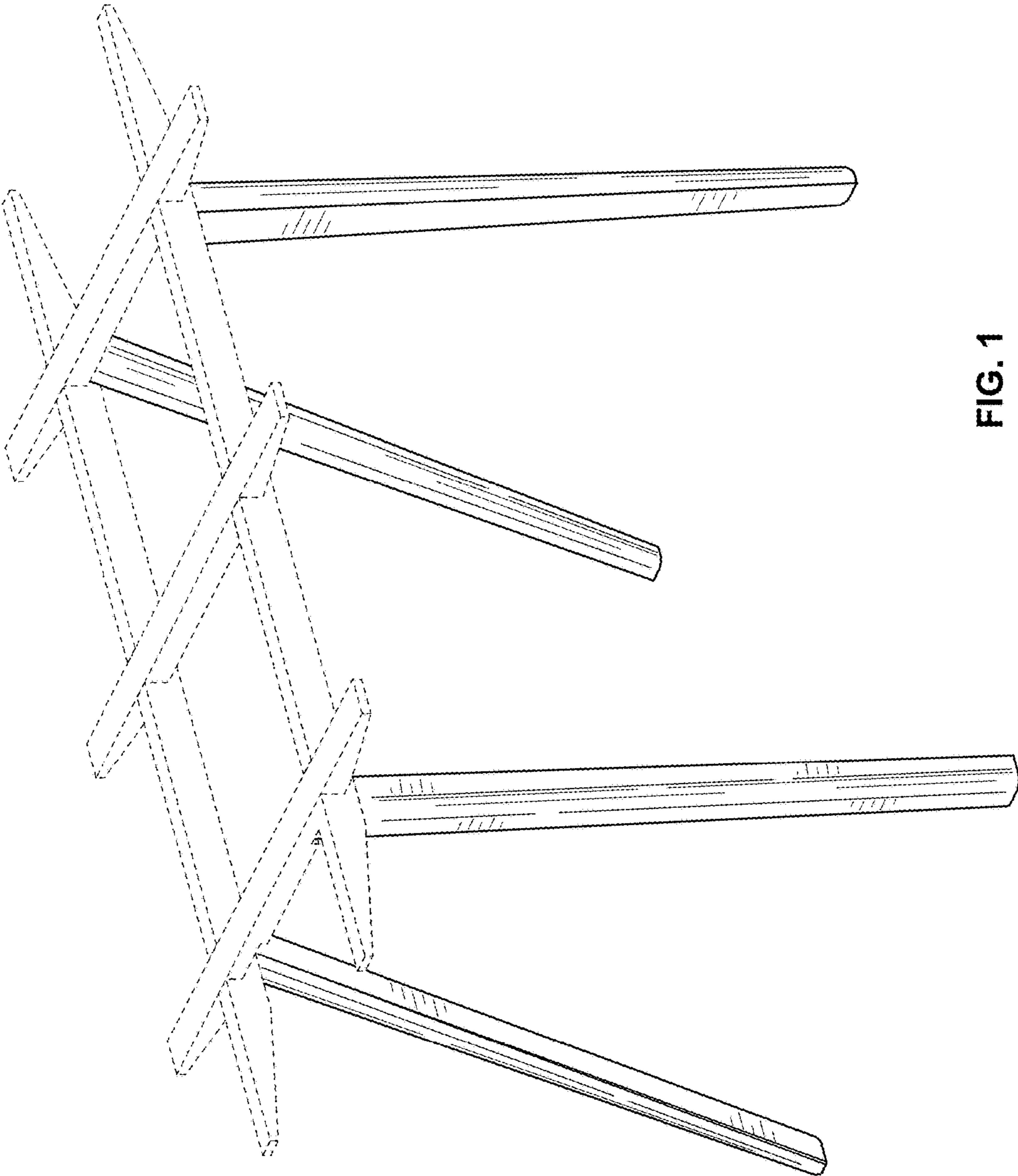


FIG. 1



FIG. 2



FIG. 3

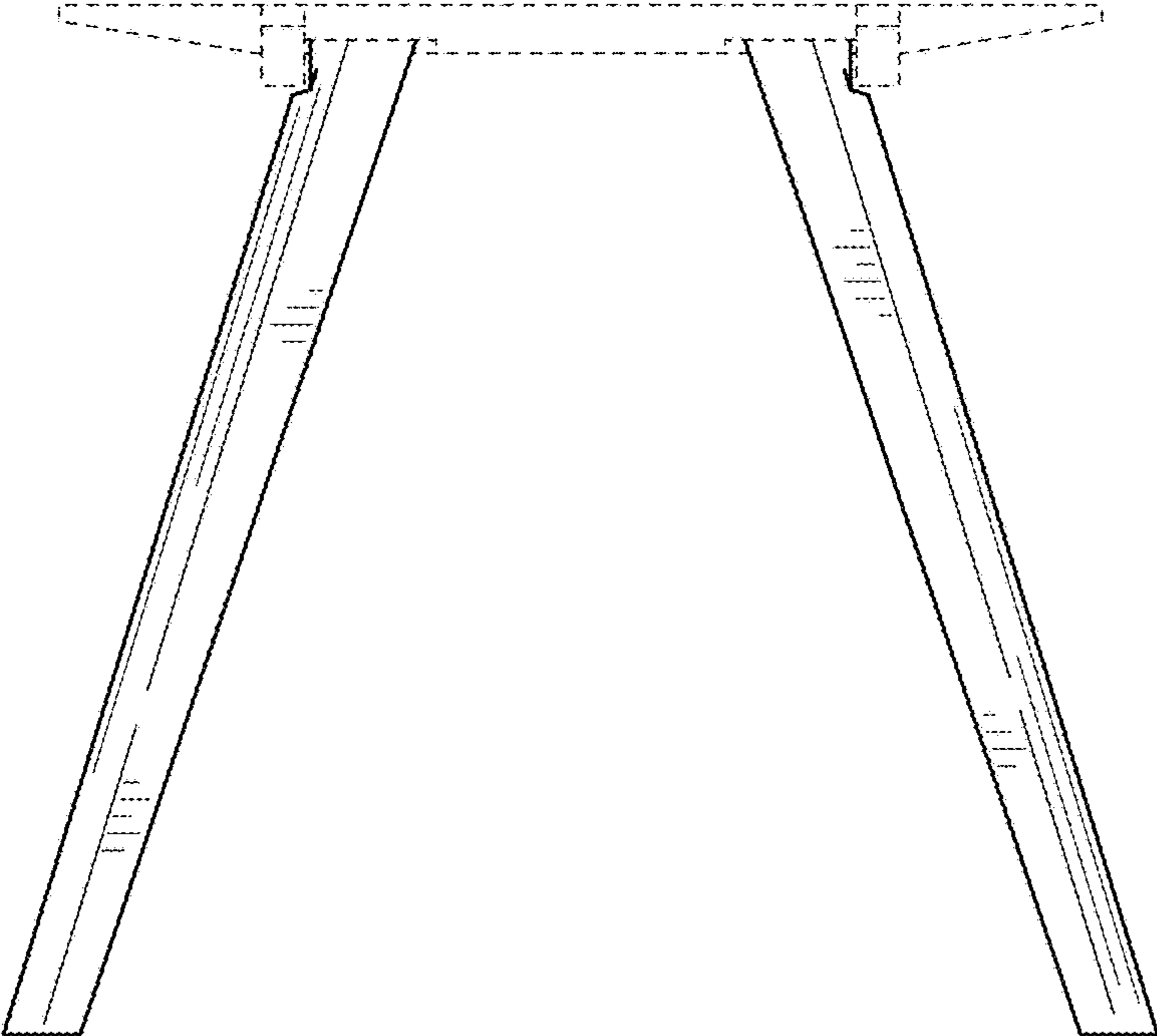


FIG. 4

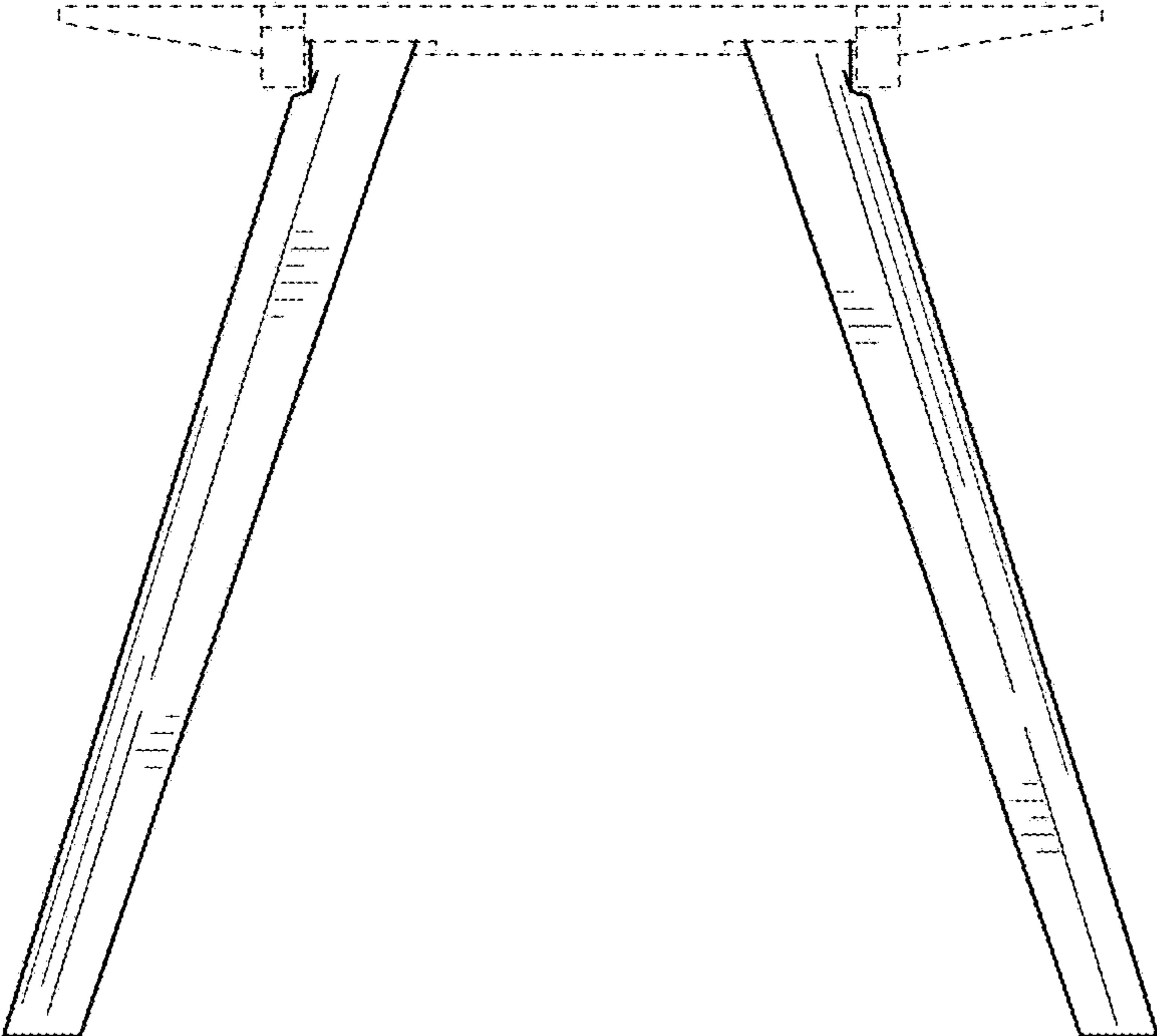


FIG. 5

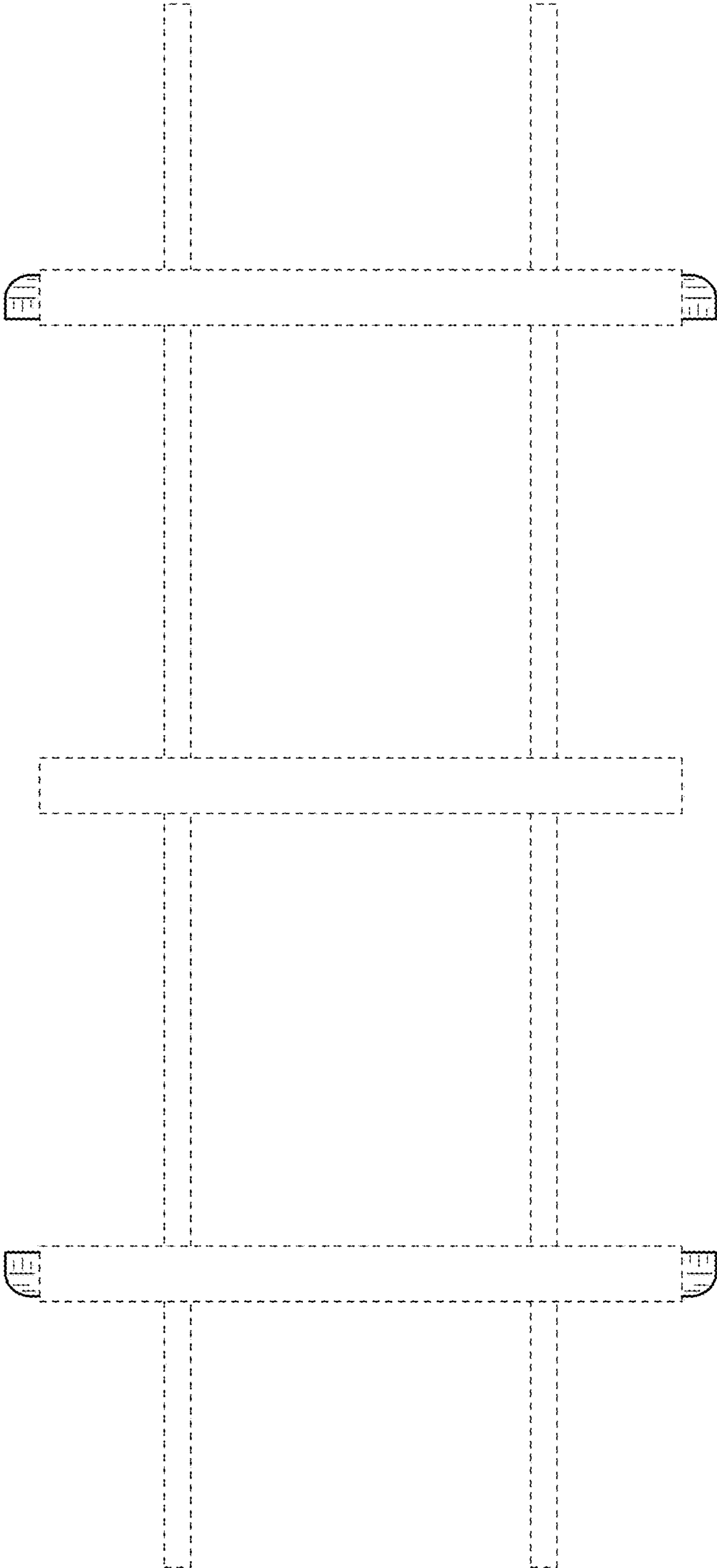


FIG. 6

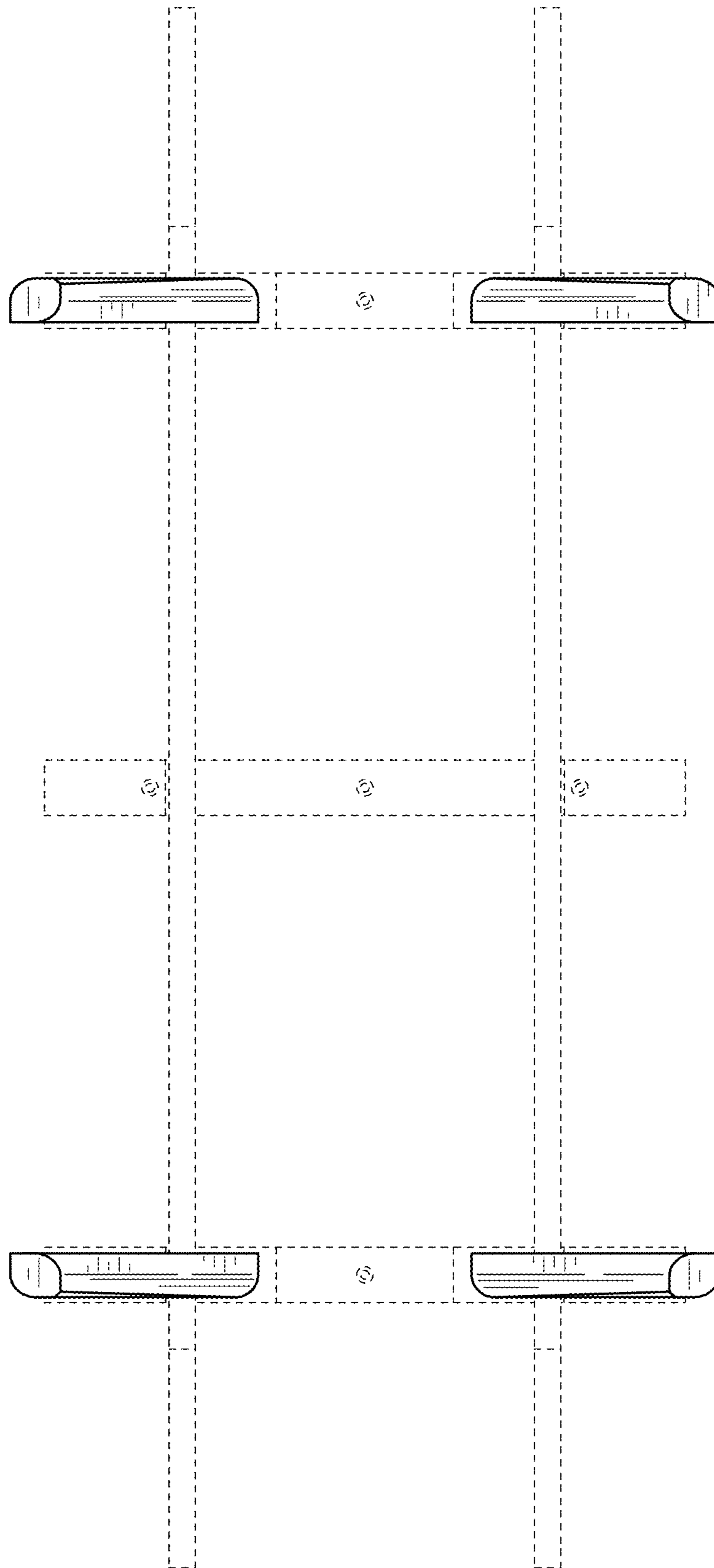


FIG. 7