



US00D818750S

(12) **United States Design Patent** (10) **Patent No.:** **US D818,750 S**
Hannoosh et al. (45) **Date of Patent:** **** May 29, 2018**

(54) **COFFEE TABLE**

(71) Applicant: **Williams-Sonoma, Inc.**, San Francisco, CA (US)

(72) Inventors: **Jeffrey C. Hannoosh**, Brooklyn, NY (US); **Karissa Bieschke**, San Francisco, CA (US)

(73) Assignee: **Williams-Sonoma, Inc.**, San Francisco, CA (US)

(**) Term: **15 Years**

(21) Appl. No.: **29/590,823**

(22) Filed: **Jan. 13, 2017**

(51) **LOC (11) Cl.** **06-03**

(52) **U.S. Cl.**
USPC **D6/686**

(58) **Field of Classification Search**

USPC D6/657, 689, 690, 691, 691.1, 691.2, D6/691.3, 691.4, 691.5, 691.6, 691.7, D6/691.8, 691.9, 699, 699.1, 699.2, D6/699.3, 699.4, 699.5, 685, 686, 687, D6/688, 688.11, 688.19, 692, 692.2, 707, D6/707.2, 707.23, 708.14

CPC .. A47B 37/00; A47B 3/00; A47B 1/00; A47B 3/06; A47B 3/08; A47B 7/00; A47B 21/00; A47B 23/00; A47B 25/00; A47B 13/08; A47B 3/083; A47B 3/14; A47B 41/00; A47B 17/00; A47B 3/0809; A47B 3/0812; A47B 2013/026; A47B 2200/03; A47B 2200/00; A47B 2003/0821; A47C 3/045

See application file for complete search history.

(56) **References Cited**

U.S. PATENT DOCUMENTS

974,018 A * 10/1910 Binckley A47B 23/046 108/146
D178,055 S * 6/1956 Herrmann D6/657

D203,682 S * 2/1966 Klein D6/691
D363,176 S * 10/1995 Berry, Jr. D6/691.2
D437,507 S * 2/2001 Hazen D6/657
D452,624 S * 1/2002 de Blois D6/691.9
D499,274 S * 12/2004 Juneau D6/657
D520,779 S * 5/2006 DeBlois D6/675.1
D618,016 S * 6/2010 Metcalf D6/691.8
D778,089 S * 2/2017 Hiyoshi D6/691
D785,983 S * 5/2017 Denby D6/689
D812,935 S * 3/2018 Hannoosh D6/671.1

(Continued)

OTHER PUBLICATIONS

K%C3%BCI, posted at Aliexpress.com, posted on Sep. 9, 2015, site visited Mar. 21, 2018. online, available from internet: https://sc01.alicdn.com/kf/HTB1xwwsIXXXXXbDXVXXq6xXFXXX2/K%C3%BCI-ah%C5%9Fap-renkli-ah%C5%9Fap-%C3%A7ekmeceli-%C4%B0skandinav-minimalist-japon-tarz%C4%B1-k%C3%BC%C3%A7%C3%BCk-daire-i%C5%9Flevli-kald%C4%B.*

(Continued)

Primary Examiner — Mary Ann Calabrese

Assistant Examiner — Catherine Ho

(74) *Attorney, Agent, or Firm* — Cook Alex Ltd.; R. Blake Johnston

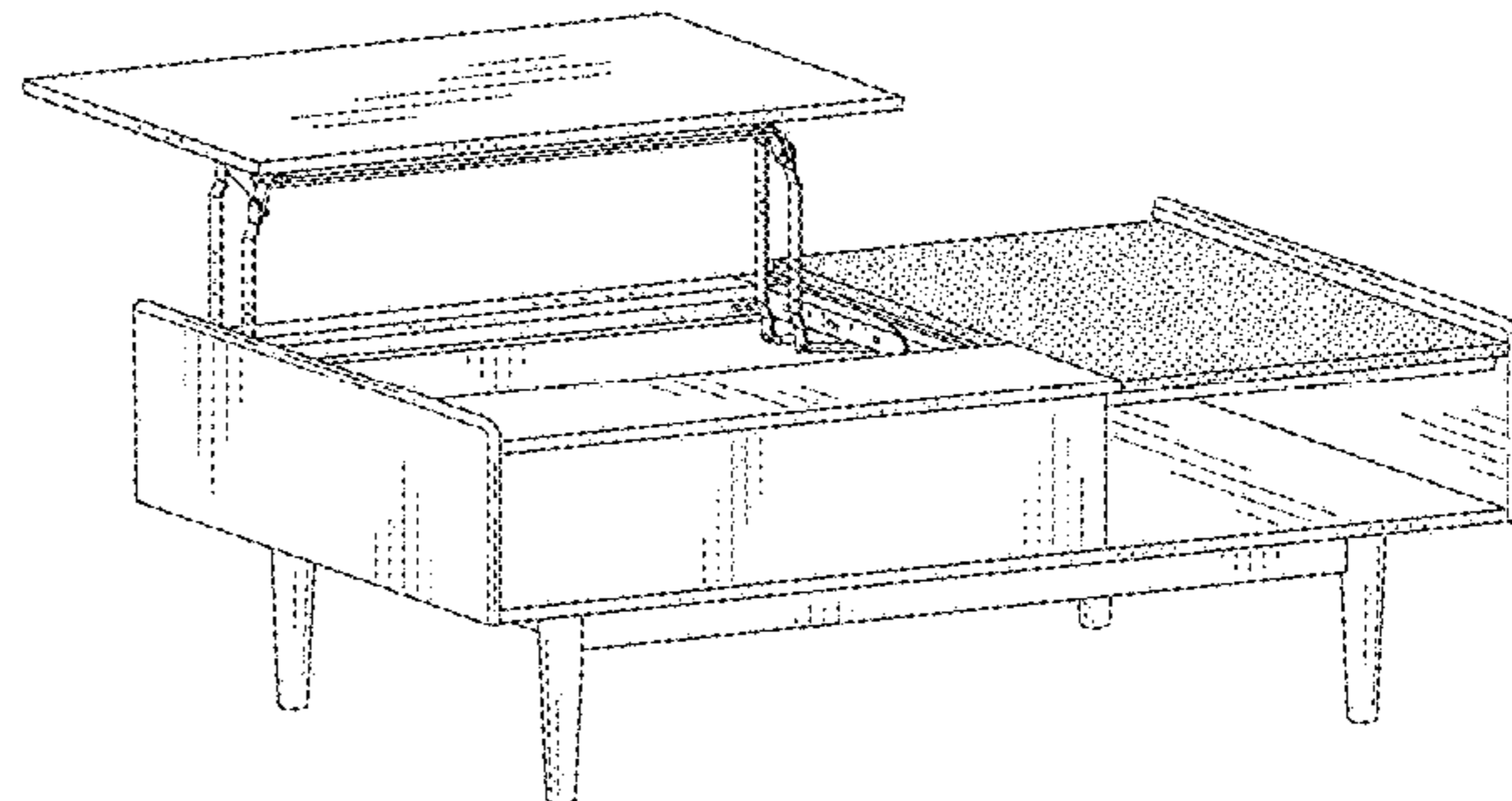
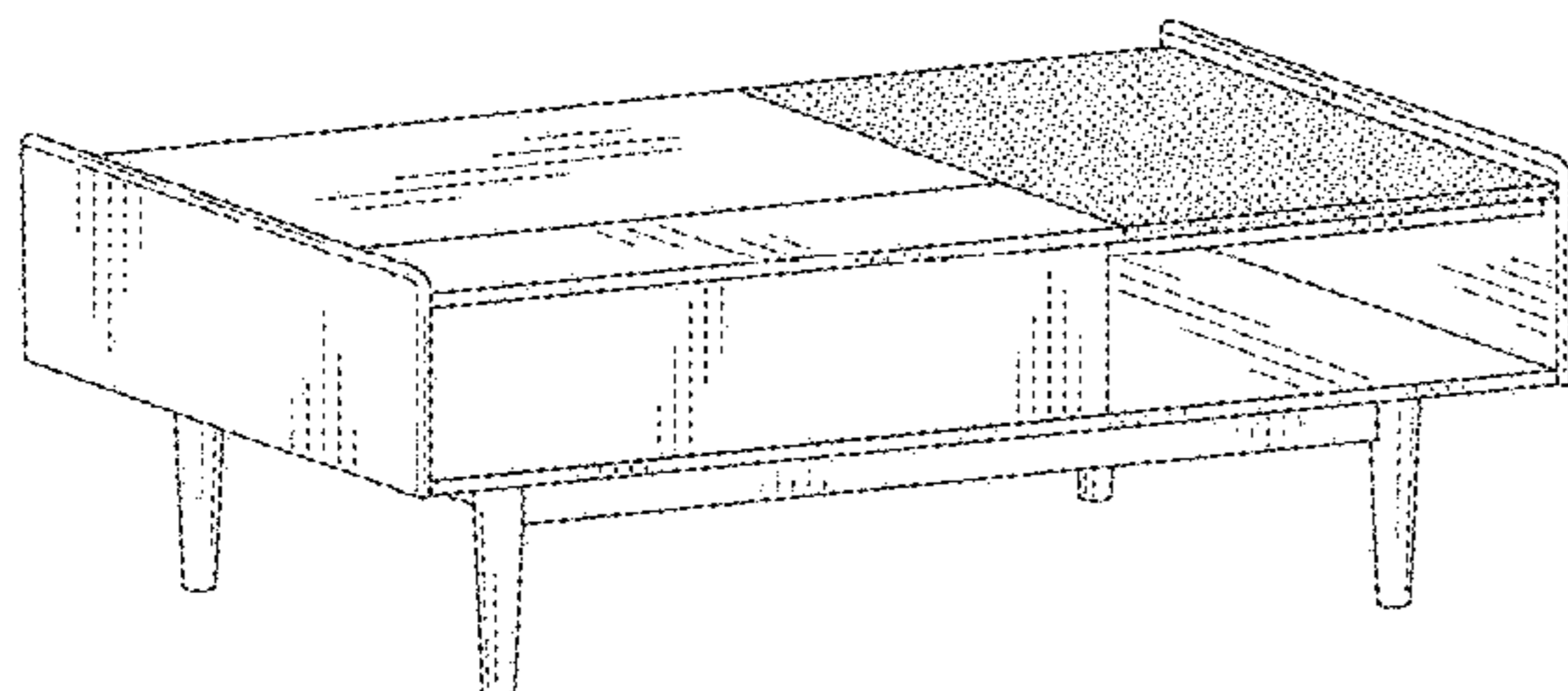
(57) **CLAIM**

The ornamental design for a coffee table, as shown and described.

DESCRIPTION

FIG. 1 is a perspective view of the coffee table; FIG. 2 is a front elevational view of the coffee table, the opposite side of which is a mirror image; FIG. 3 is a left side elevational view of the coffee table, the opposite side of which is a mirror image; FIG. 4 is a top plan view of the coffee table; FIG. 5 is a bottom plan view of the coffee table; and, FIG. 6 is a perspective view of the coffee table with a top portion in an alternate raised position.

1 Claim, 4 Drawing Sheets



(56)

References Cited

U.S. PATENT DOCUMENTS

2016/0255956 A1* 9/2016 Dilmaghani A47B 87/002

OTHER PUBLICATIONS

Add-furniture, posted at Foter.com, posted on Sep. 2, 2015, site visited Mar. 21, 2018. online, available from internet: <https://foter.com/photos/pi/241/add-furniture-that-does-double-duty-such-as-a-coffee-table-that-also-serves-as-a-storage-chest-to-contain-itenns-in-the-roonn-where-theyre-used.jpg>.*

Living%wBRoom, posted at Allmodern.com, posted on Sep. 11, 2015, site visited Mar. 21, 2018. online, available from internet: <https://secure.img1.wfrcdn.com/1f/190/hash/0/18036978/1/Living%2BRoom%2BNaturals.jpg>.*

* cited by examiner

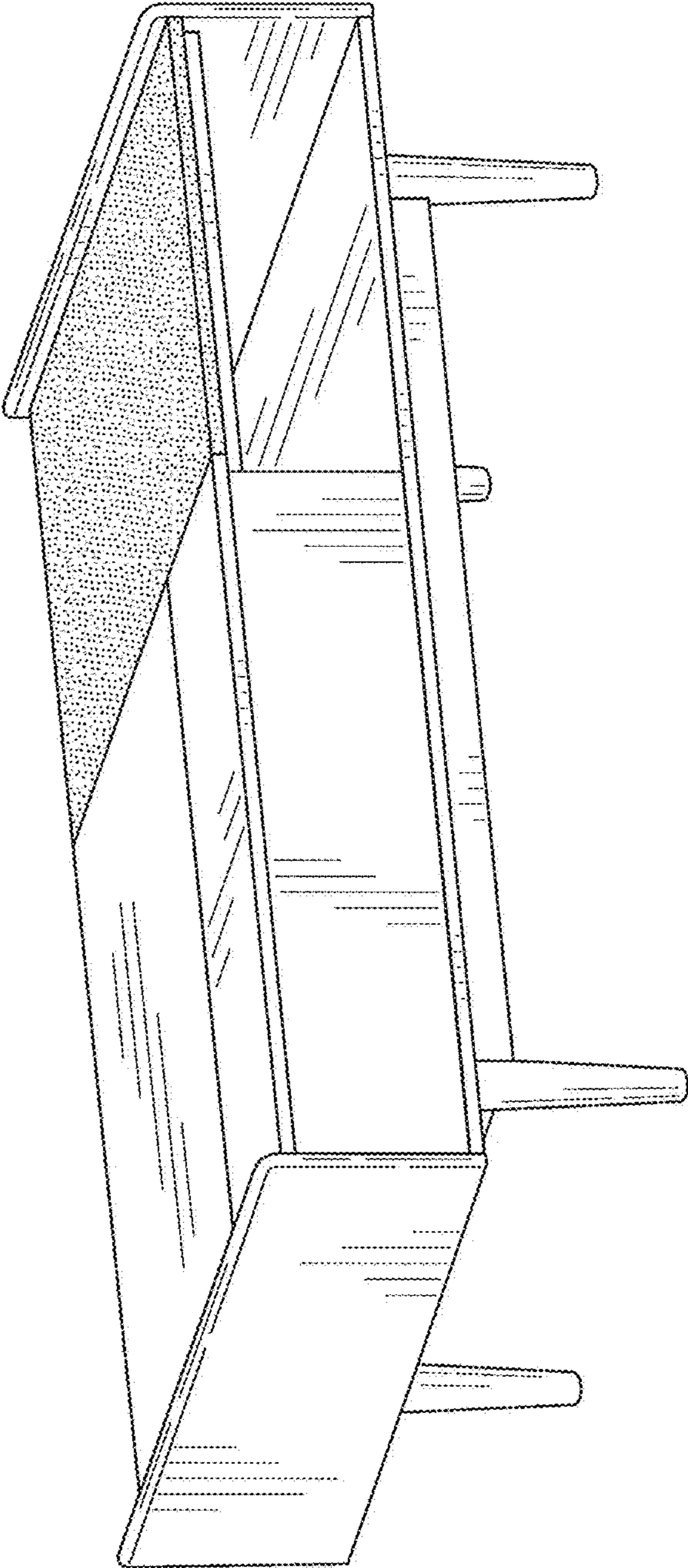


FIG. 1

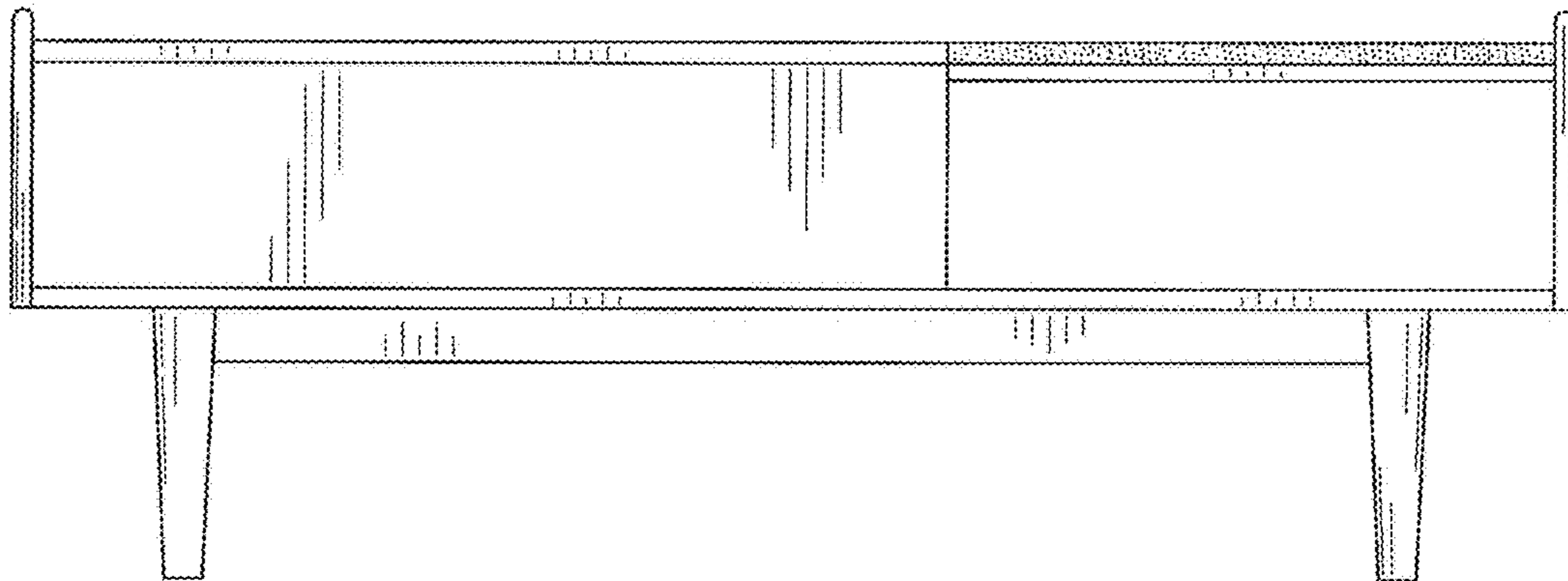


FIG. 2

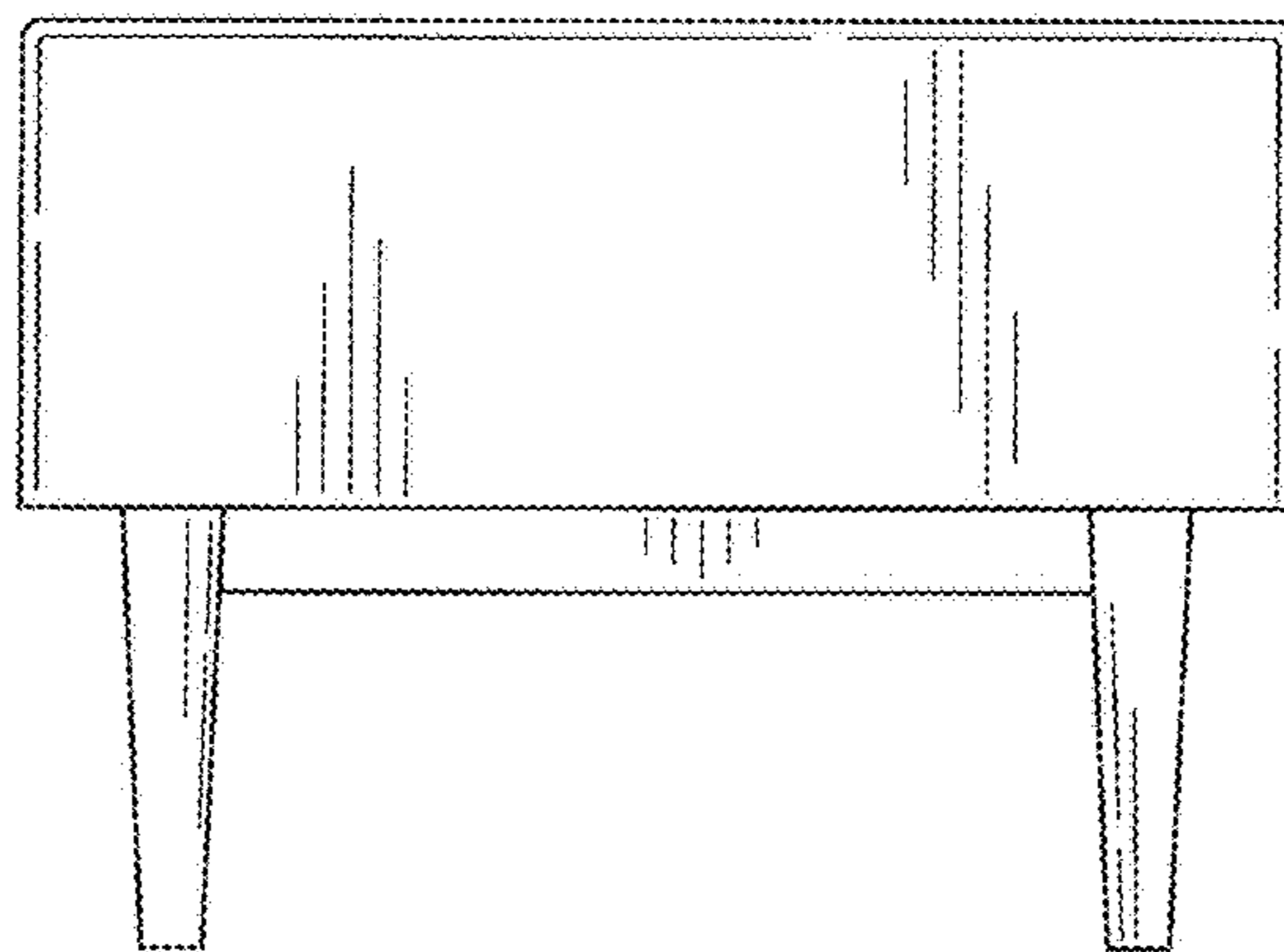


FIG. 3

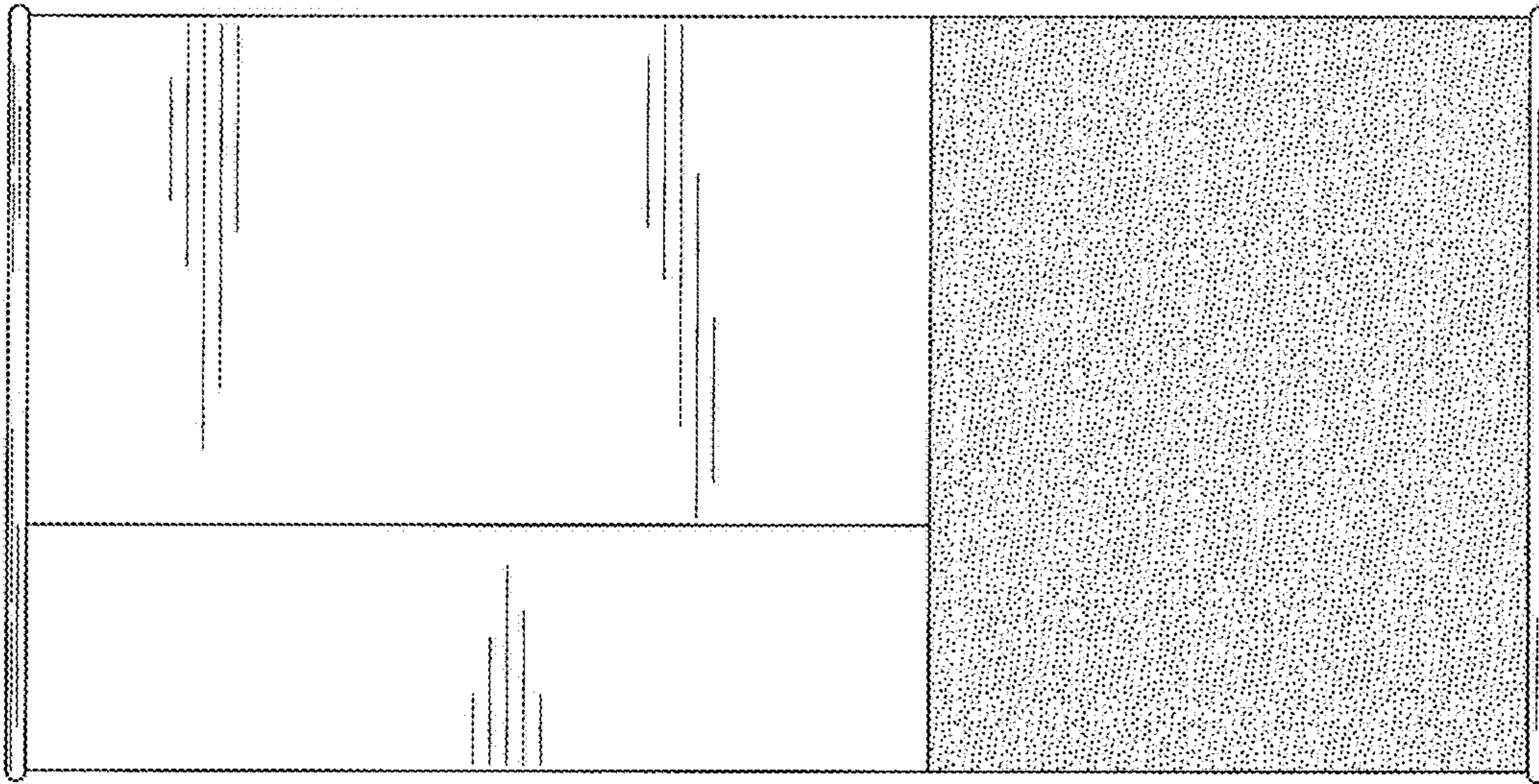


FIG. 4

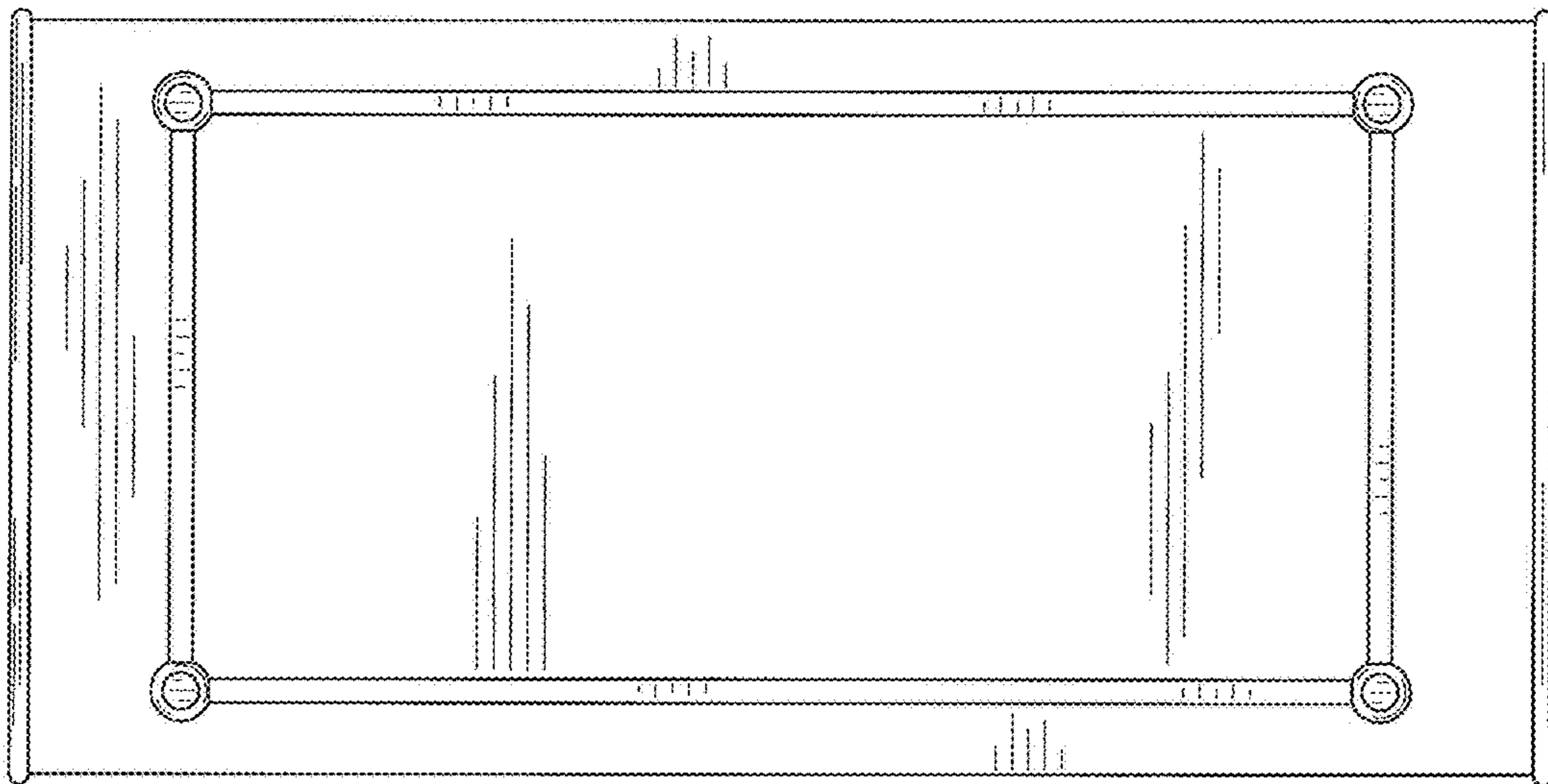


FIG. 5

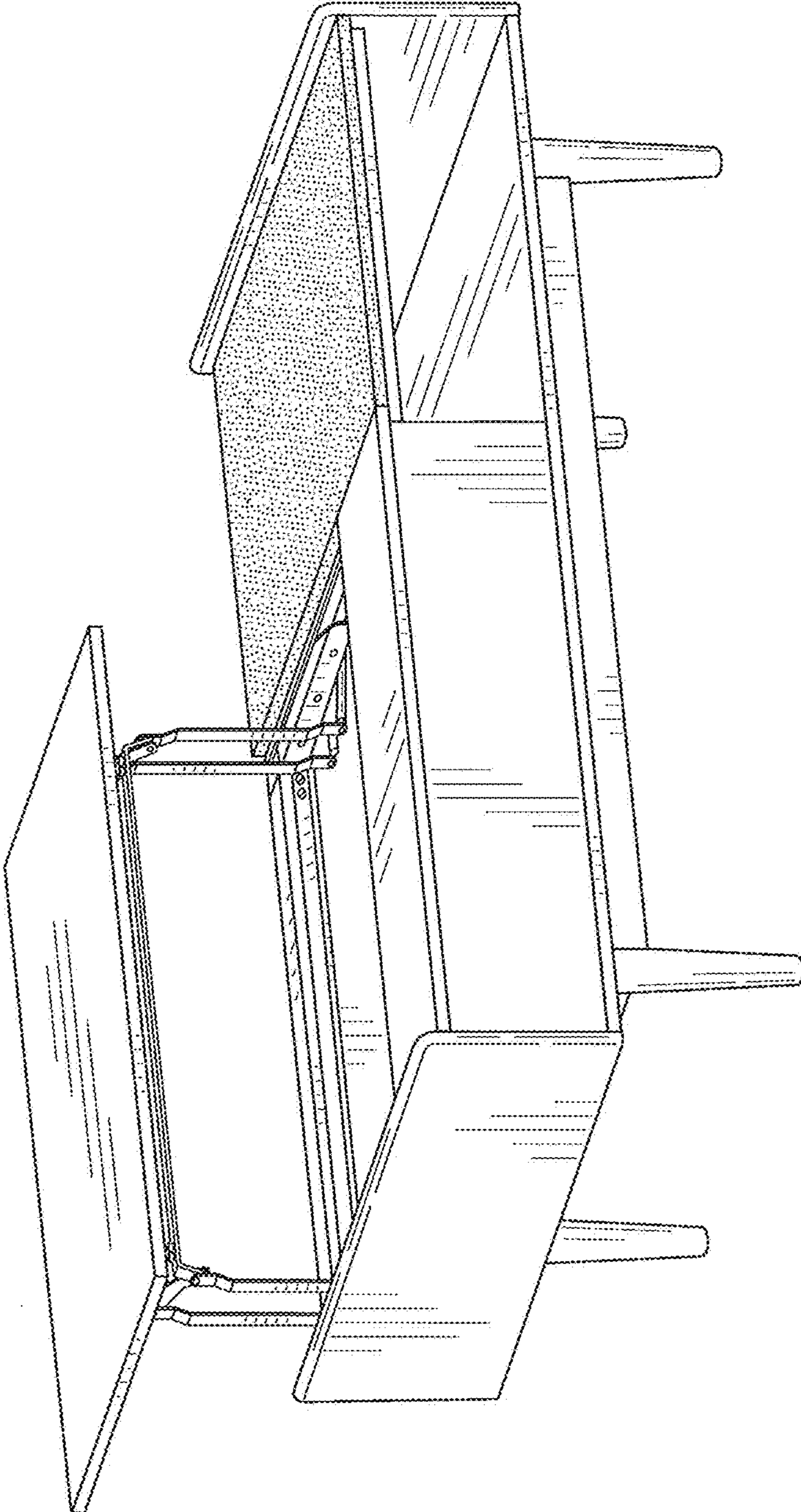


FIG. 6