



US00D818748S

(12) **United States Design Patent** (10) **Patent No.:** **US D818,748 S**
Stewart et al. (45) **Date of Patent:** **** May 29, 2018**

- (54) **SAMPLE RACK**
- (71) Applicants: **William F. Stewart**, Half Moon Bay, CA (US); **Johanna Kantor**, Palo Alto, CA (US)
- (72) Inventors: **William F. Stewart**, Half Moon Bay, CA (US); **Johanna Kantor**, Palo Alto, CA (US)
- (73) Assignee: **RACK ON INC.**, Palo Alto, CA (US)
- (**) Term: **15 Years**
- (21) Appl. No.: **29/598,505**
- (22) Filed: **Mar. 27, 2017**
- (51) **LOC (11) Cl.** **06-06**
- (52) **U.S. Cl.**
 USPC **D6/682.2**
- (58) **Field of Classification Search**
 USPC D6/682, 682.2; D7/553.2, 554.3, 555, D7/600.1, 601, 701
 CPC A47G 23/02; A47G 23/0641; A47G 23/0316; A47F 43/00; A47F 47/04; A47F 81/007
 See application file for complete search history.

- (56) **References Cited**
 U.S. PATENT DOCUMENTS
- D280,131 S * 8/1985 Takasugi D24/229
 D637,709 S * 5/2011 Brede D24/107

D664,769 S *	8/2012	Kinskey	D3/315
D679,831 S *	4/2013	Greenizen	D24/227
D683,046 S *	5/2013	Yin	D24/230
D688,462 S *	8/2013	Kinskey	D3/228
D762,404 S *	8/2016	Williams	D6/682.2
D793,088 S *	8/2017	Ou	D3/315
2004/0079662 A1 *	4/2004	Wang	B25H 3/003 206/378
2005/0241974 A1 *	11/2005	Chen	B25H 3/003 206/379

* cited by examiner

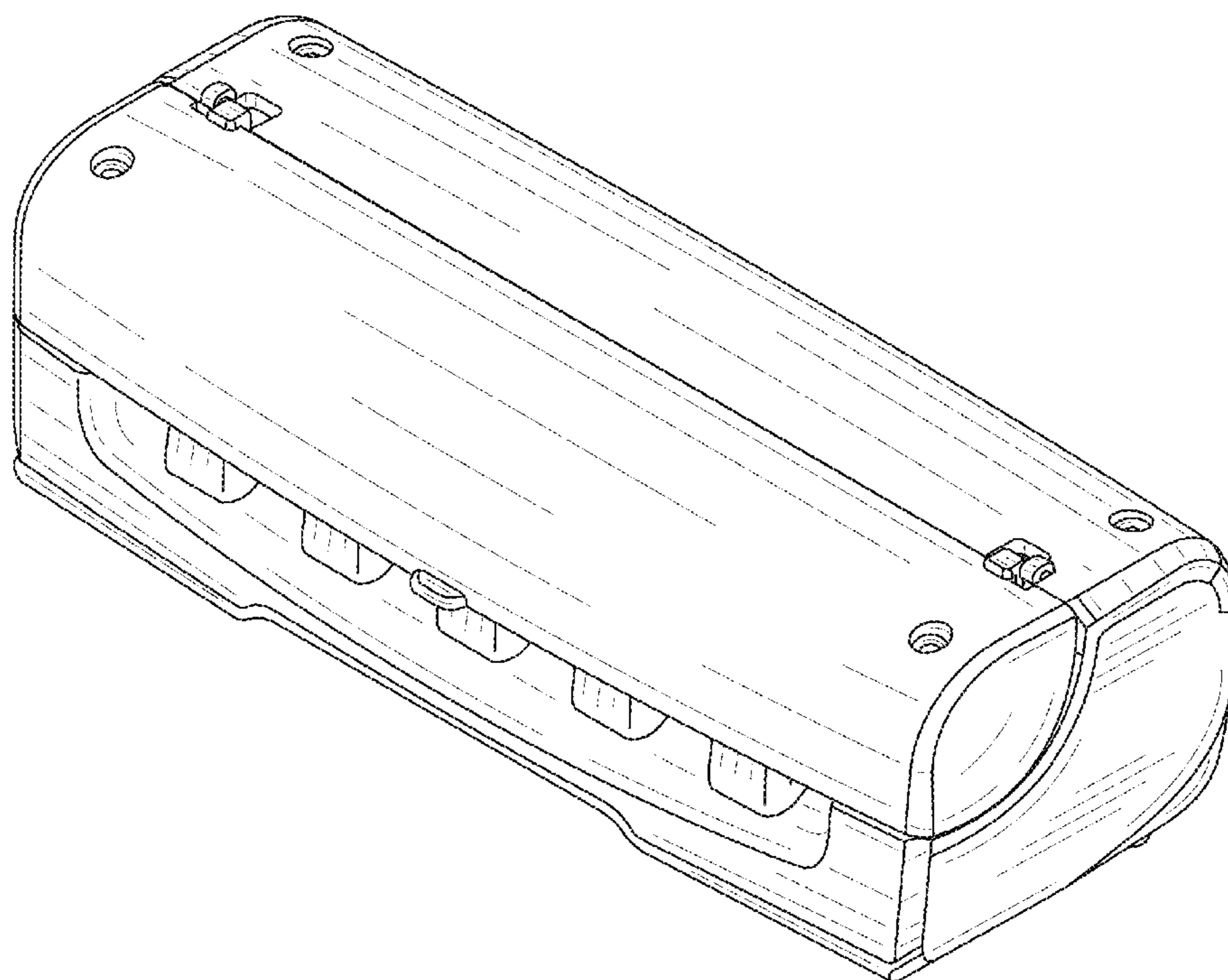
Primary Examiner — Kelley Donnelly
 (74) *Attorney, Agent, or Firm* — Perkins Coie LLP

(57) **CLAIM**
 The ornamental design of a sample rack, substantially as shown and described.

DESCRIPTION

FIG. 1 is a front perspective view of a sample rack, in which a cover is shown in a closed position;
 FIG. 2 is a top perspective view thereof, in which the cover is shown in an open position;
 FIG. 3 is a right side perspective view thereof, in which the cover is shown in an open position, the left side being a mirror image thereof; and,
 FIG. 4 is a rear perspective view thereof, in which the cover is shown in a closed position.
 Any broken lines shown are included solely for the purpose of illustrating the unclaimed portions of the article and form no part of the claim.

1 Claim, 4 Drawing Sheets



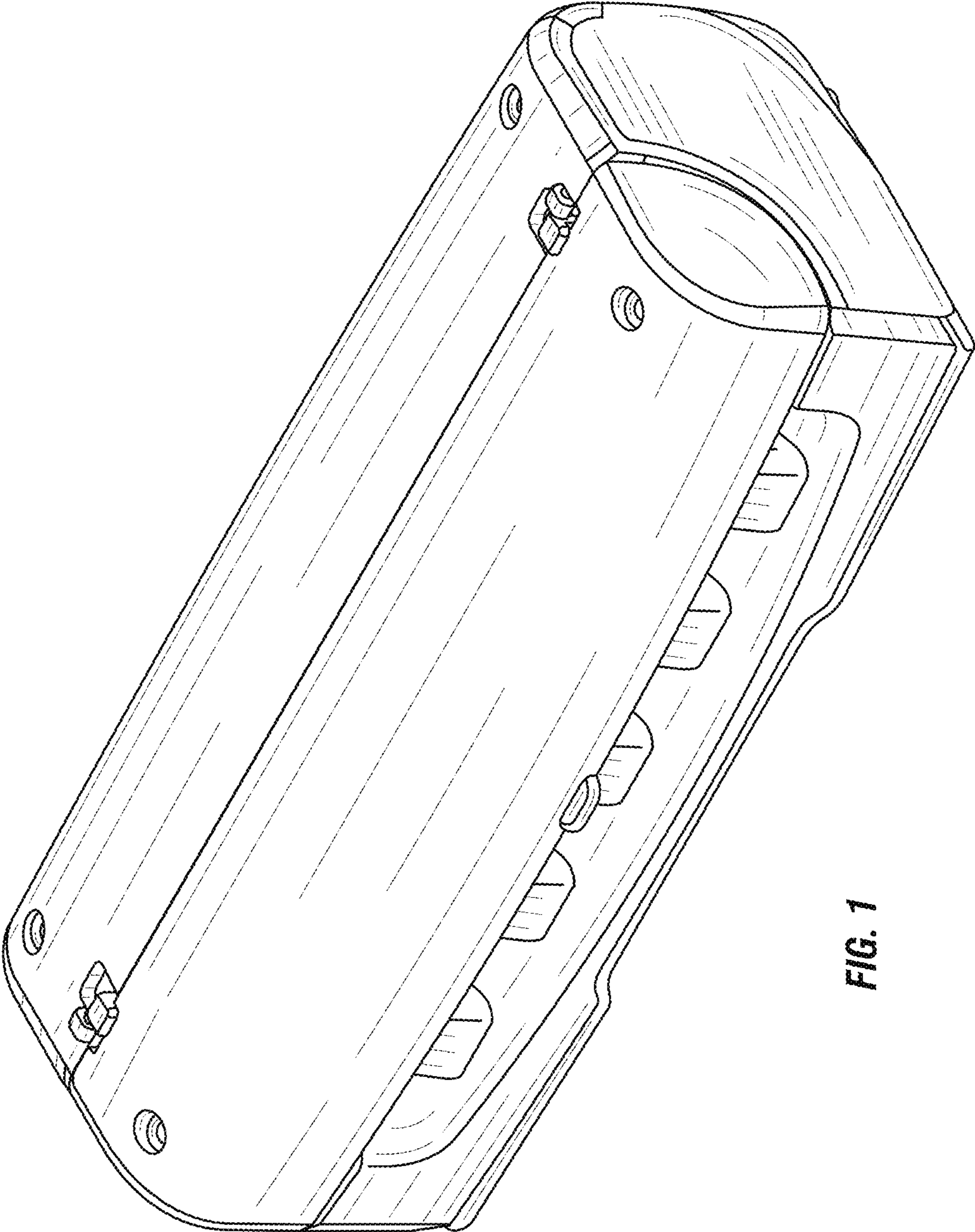


FIG. 1

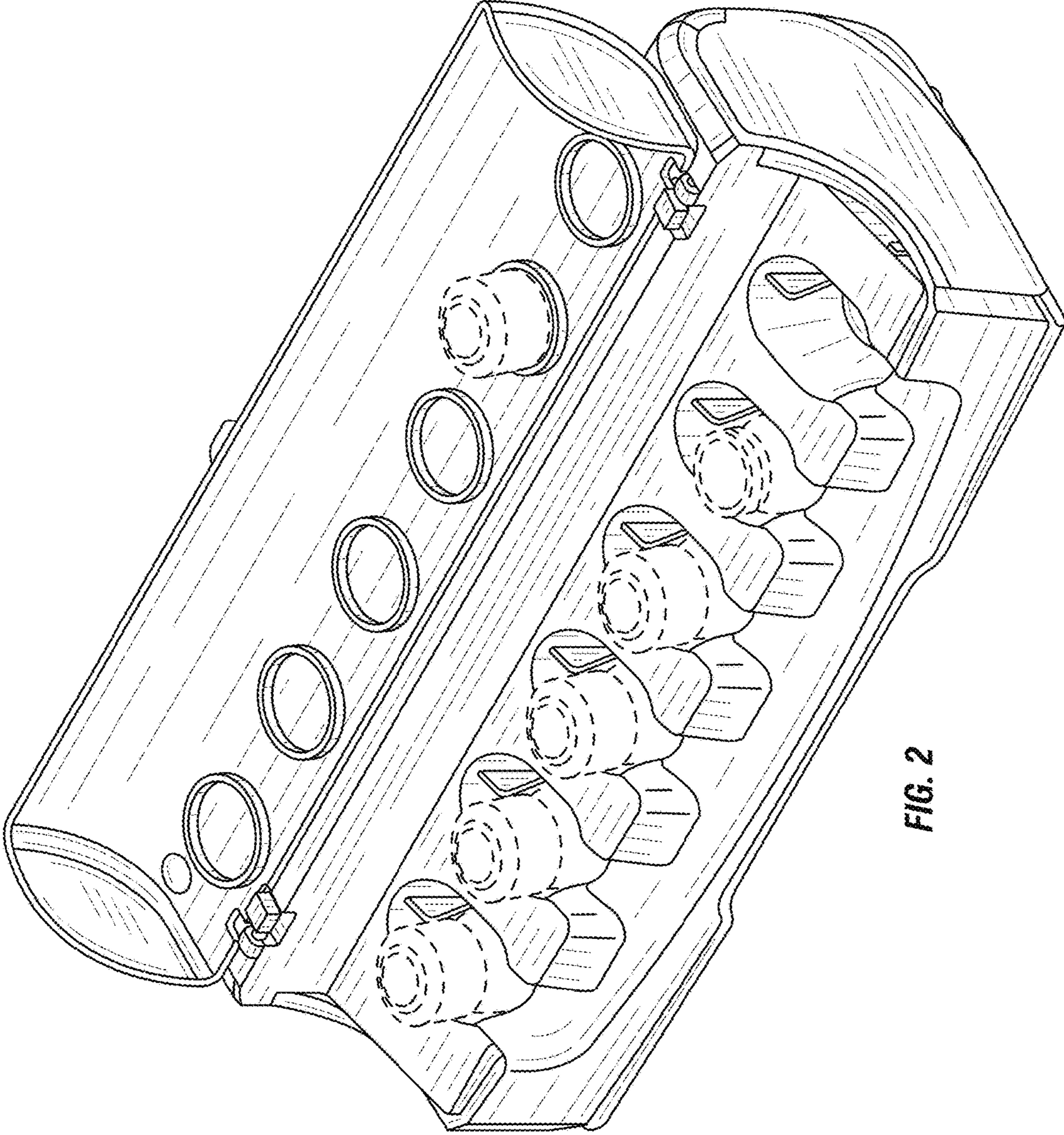


FIG. 2

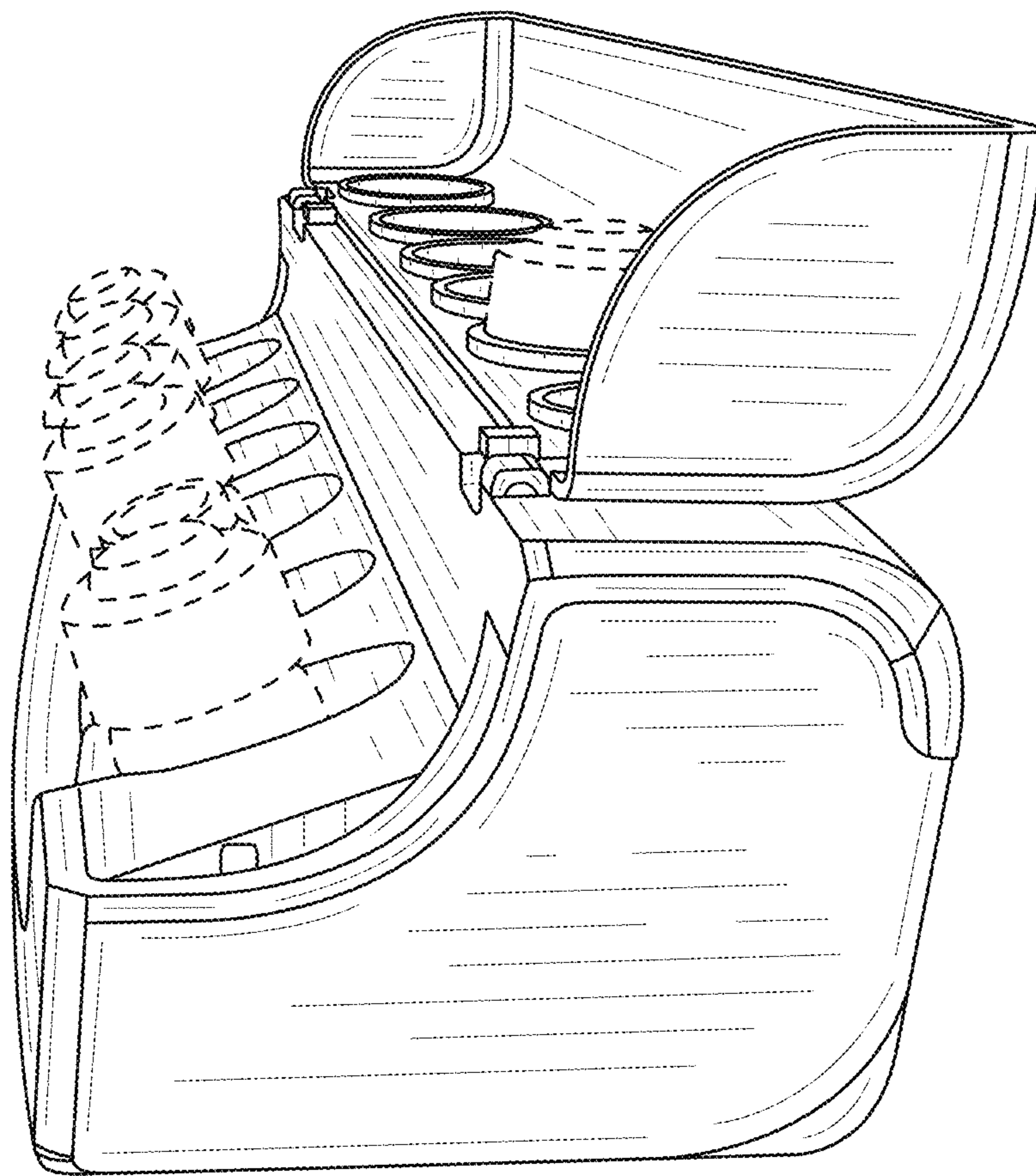


FIG. 3

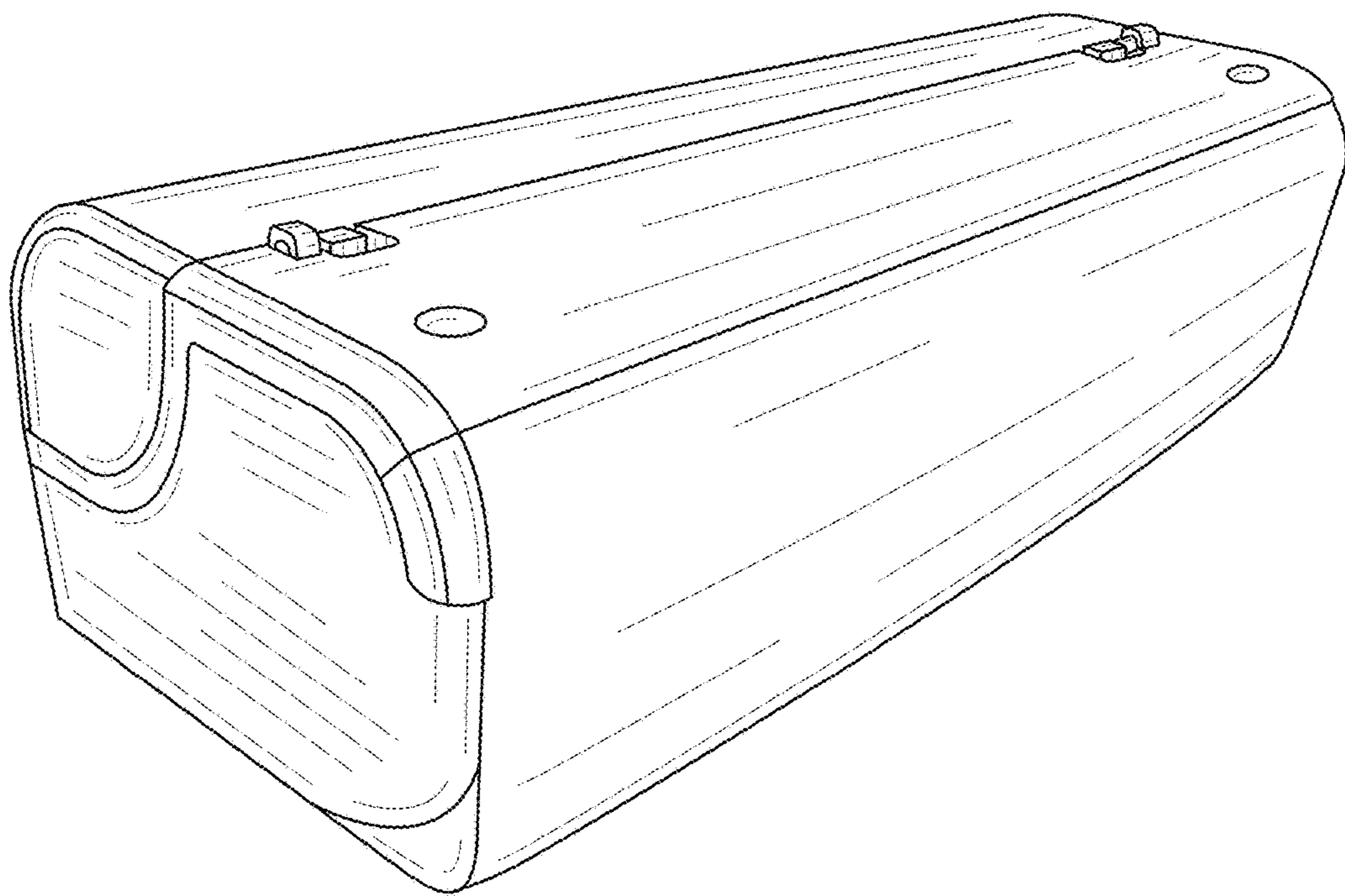


FIG. 4