



US00D818746S

(12) **United States Design Patent** (10) **Patent No.:** **US D818,746 S**  
**Carder et al.** (45) **Date of Patent:** **\*\* May 29, 2018**

(54) **RESTROOM HANGER**  
(71) Applicant: **Leland R. Carder**, Olathe, KS (US)  
(72) Inventors: **Leland R. Carder**, Olathe, KS (US);  
**Shannah M. Carder**, Olathe, KS (US);  
**Cole B. Carder**, Olathe, KS (US)  
(\*\*) Term: **15 Years**  
(21) Appl. No.: **29/606,619**  
(22) Filed: **Jun. 6, 2017**  
(51) **LOC (11) Cl.** ..... **06-06**  
(52) **U.S. Cl.**  
USPC ..... **D6/677.1**  
(58) **Field of Classification Search**  
USPC ..... D6/672, 673, 677, 677.1, 702, 705, 512;  
D7/601, 602  
CPC ..... A47J 47/16; A47G 19/02; A47G 23/06;  
A47F 5/0018; A47F 5/0043; A47F 5/04  
See application file for complete search history.

7,621,496 B2 11/2009 Cancelliari  
7,938,279 B2 5/2011 Kaplan  
8,672,402 B1 3/2014 Arnold  
D713,181 S \* 9/2014 Cohen ..... D6/676.1  
9,526,365 B2 12/2016 Sinmaz  
9,554,673 B2 1/2017 Panzella  
D793,130 S \* 8/2017 Ellison ..... D6/677.1  
2015/0267430 A1 9/2015 Kemp

\* cited by examiner

*Primary Examiner* — Kelley Donnelly  
(74) *Attorney, Agent, or Firm* — Intellectual Property  
Center, LLC; Arthur K. Shaffer

(57) **CLAIM**

The ornamental design for a restroom hanger, as shown and described.

**DESCRIPTION**

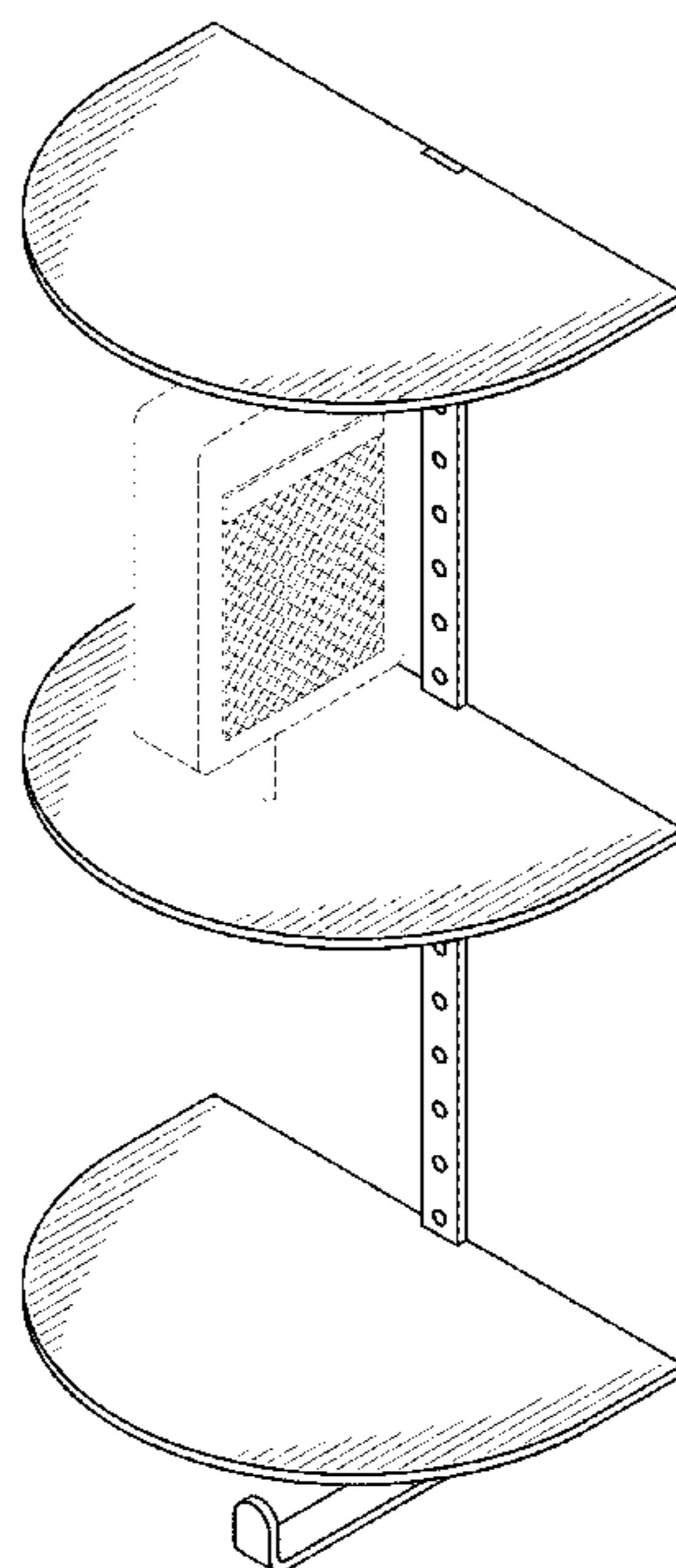
FIG. 1 is top perspective view of a restroom hanger in accordance with the present invention;  
FIG. 2 is a bottom perspective view of the restroom hanger of FIG. 1;  
FIG. 3 is a front elevation of the restroom hanger of FIG. 1;  
FIG. 4 is a back elevation of the restroom hanger of FIG. 1;  
FIG. 5 is a right side elevation of the restroom hanger of FIG. 1;  
FIG. 6 is a left side elevation of the restroom hanger of FIG. 1;  
FIG. 7 is a top plan view of the restroom hanger of FIG. 1; and,  
FIG. 8 is a bottom plan view of the restroom hanger of FIG. 1.  
The features shown in broken lines in FIGS. 1-6 depict environmental structure only and form no part of the claimed design.

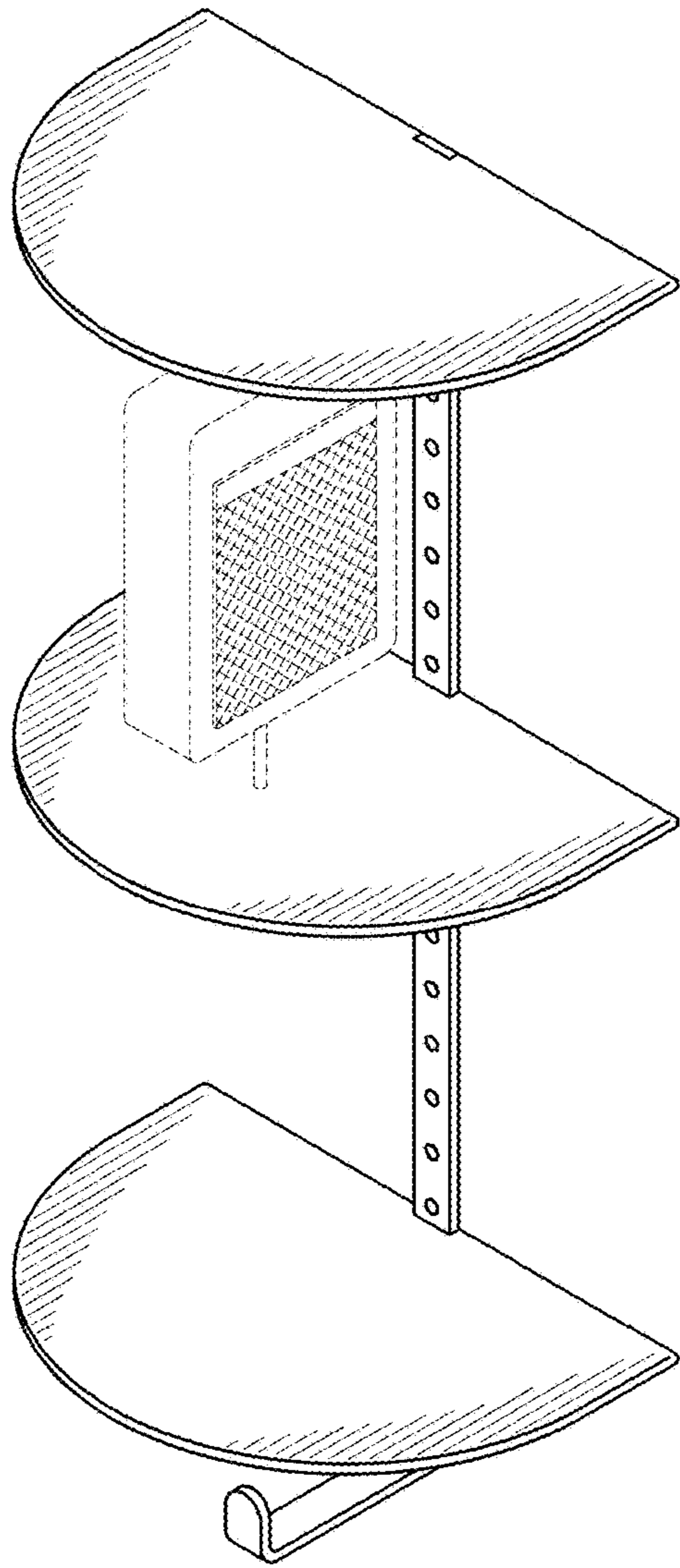
**1 Claim, 4 Drawing Sheets**

(56) **References Cited**

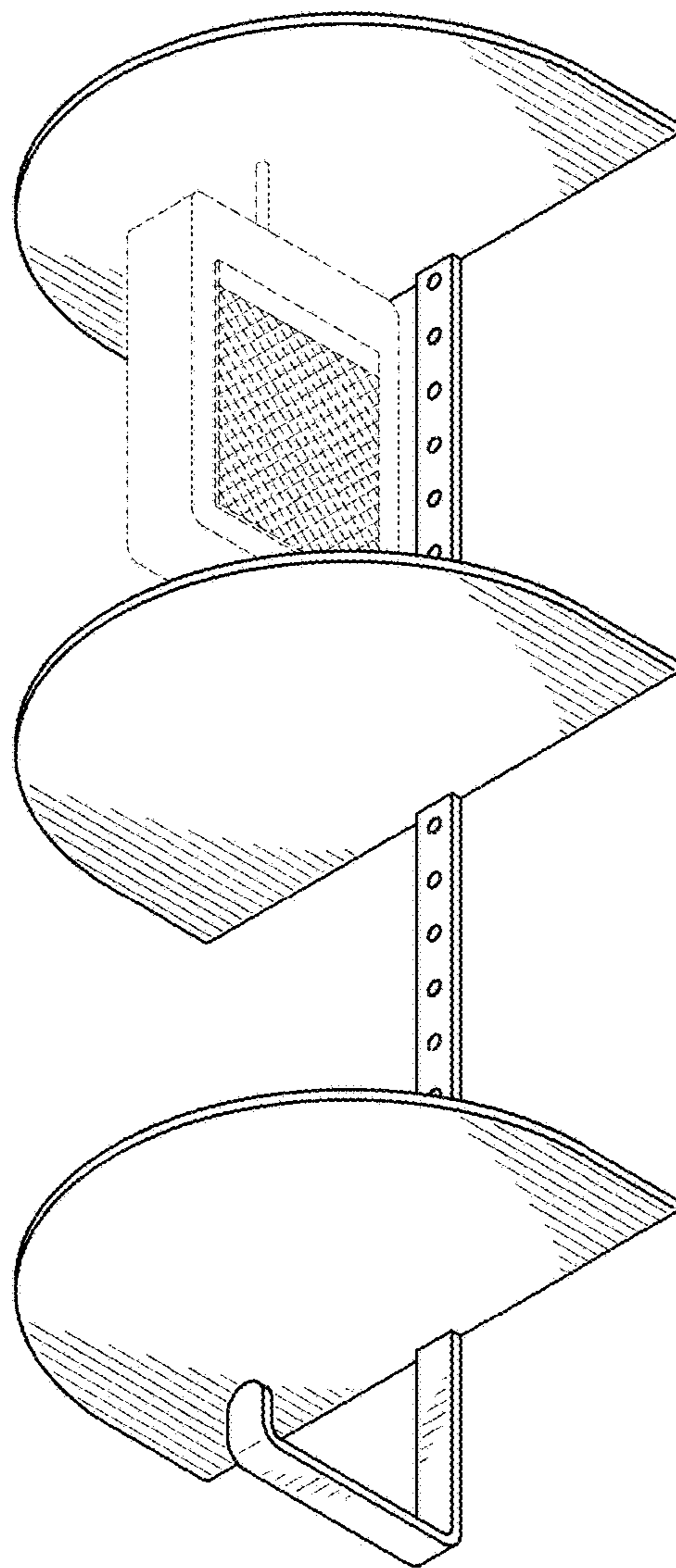
**U.S. PATENT DOCUMENTS**

D254,941 S \* 5/1980 Simmons ..... D6/349  
D304,398 S \* 11/1989 Goetz ..... D6/676.1  
D314,477 S \* 2/1991 Richter ..... D6/676.1  
4,997,116 A 3/1991 Grim  
D321,296 S \* 11/1991 Miranda ..... D6/676.1  
D325,137 S \* 4/1992 Porter ..... D6/676.1  
D330,469 S \* 10/1992 Brodbeck ..... D6/643  
5,575,219 A 11/1996 Herring  
D382,733 S \* 8/1997 Goetz ..... D6/676.1  
5,785,003 A 7/1998 Jacobson  
D409,868 S \* 5/1999 France ..... D6/562  
D421,867 S \* 3/2000 Carville ..... D6/525  
D601,365 S \* 10/2009 LaValley ..... D6/677.1

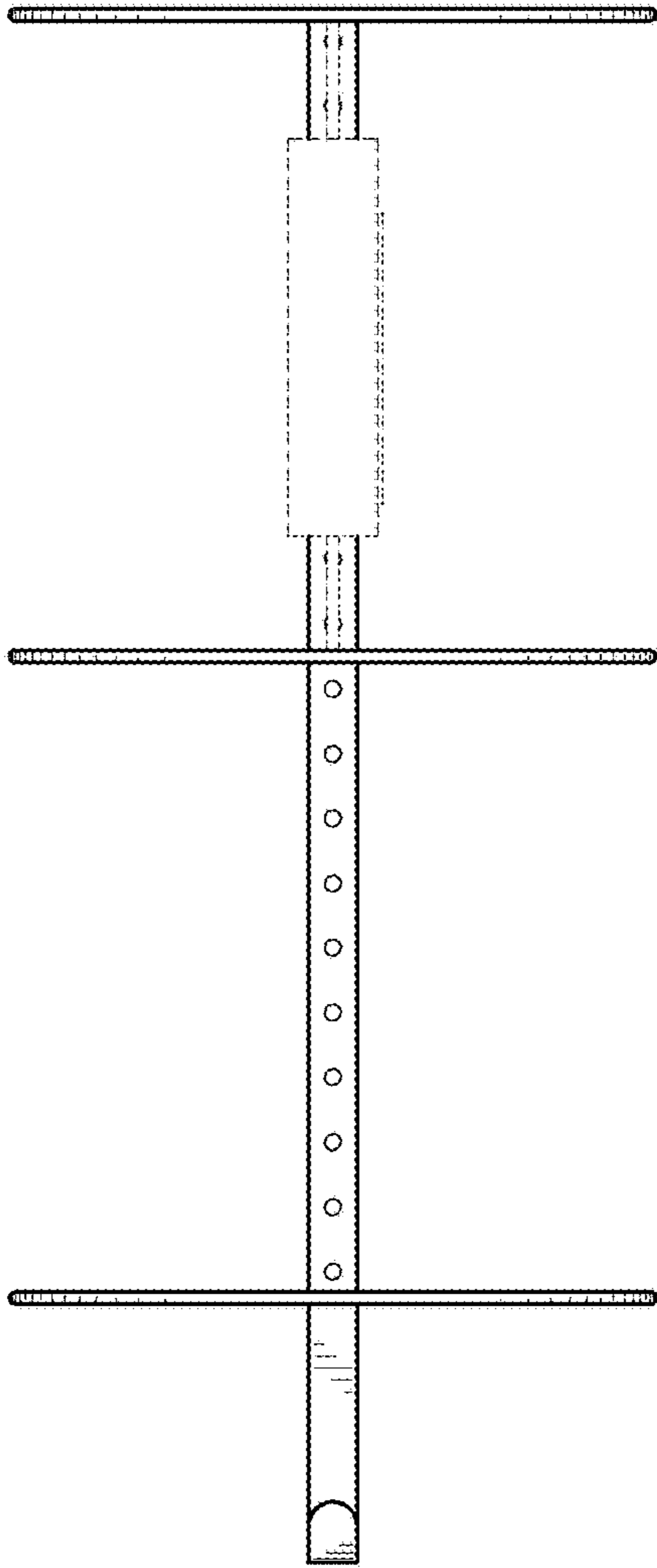




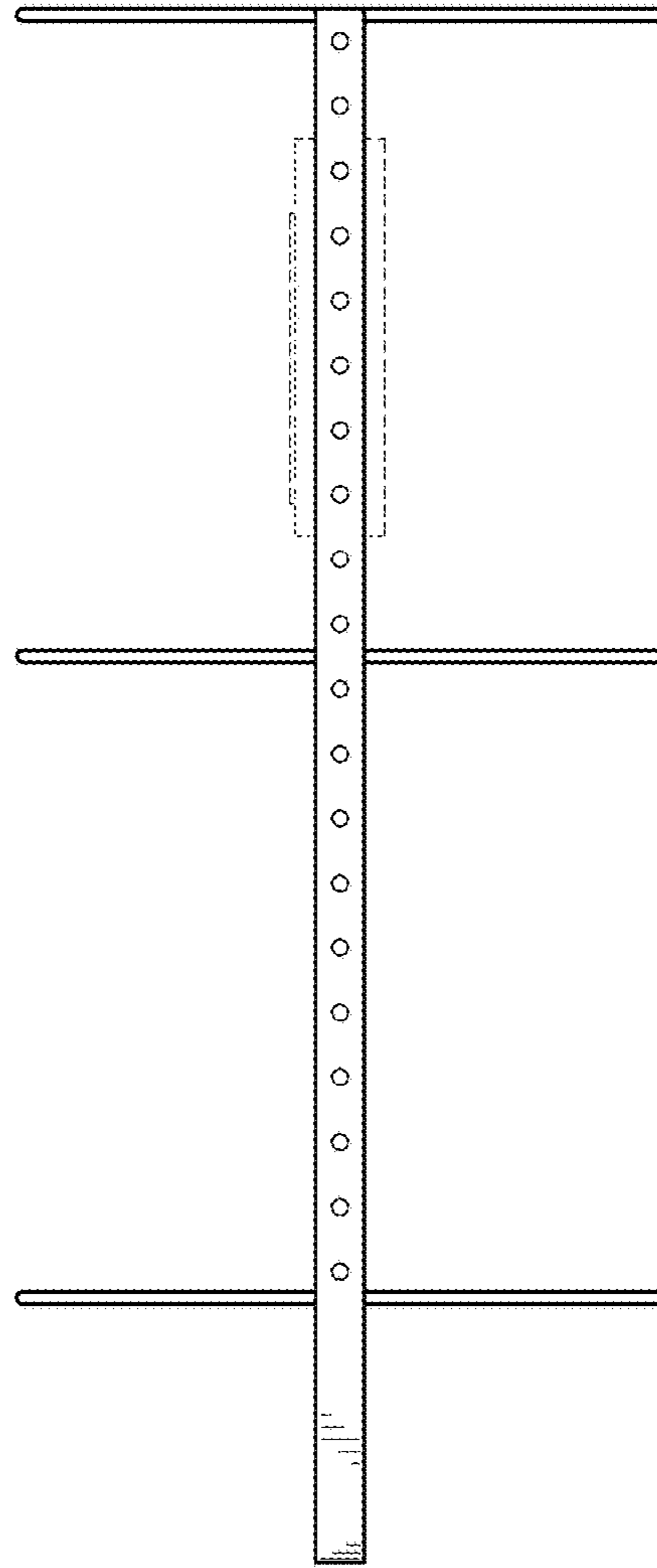
*Fig. 1*



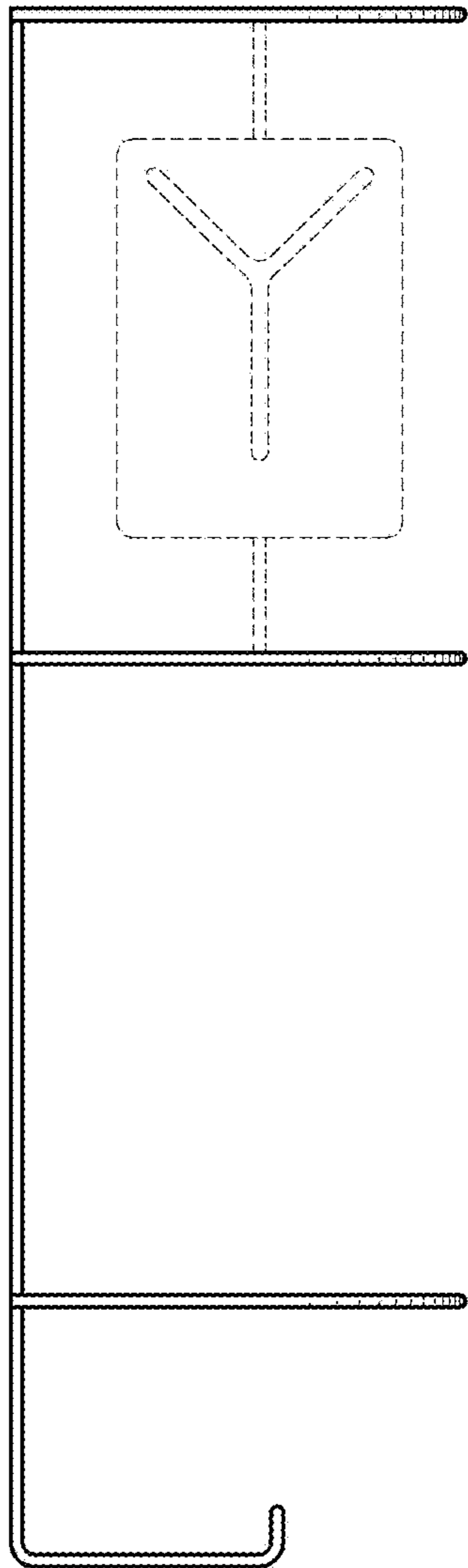
*Fig. 2*



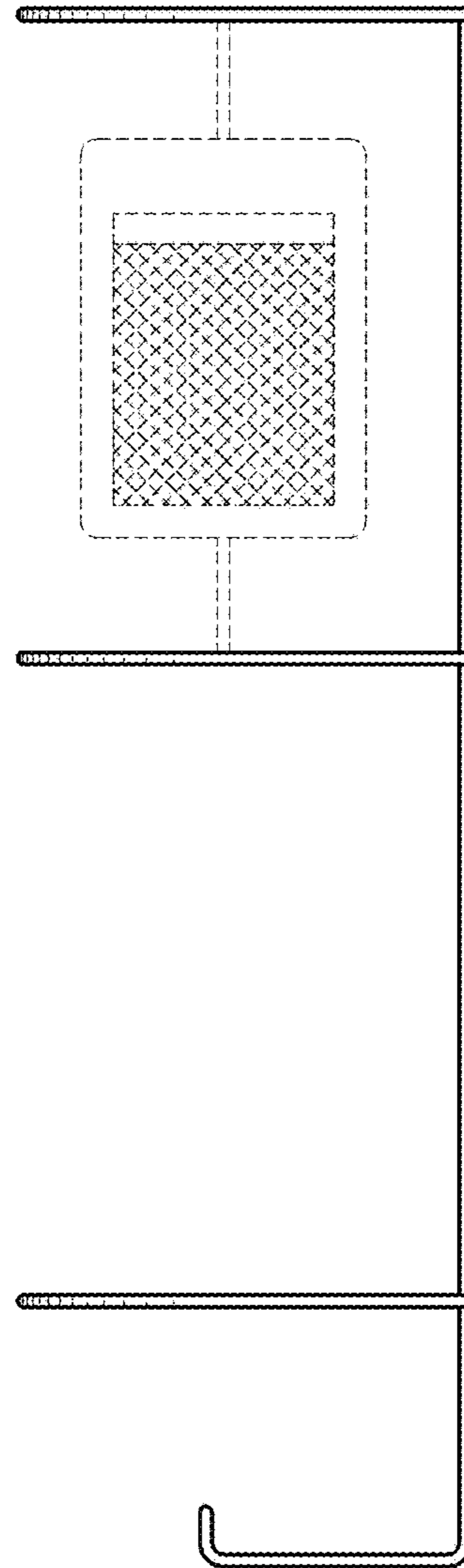
*Fig. 3*



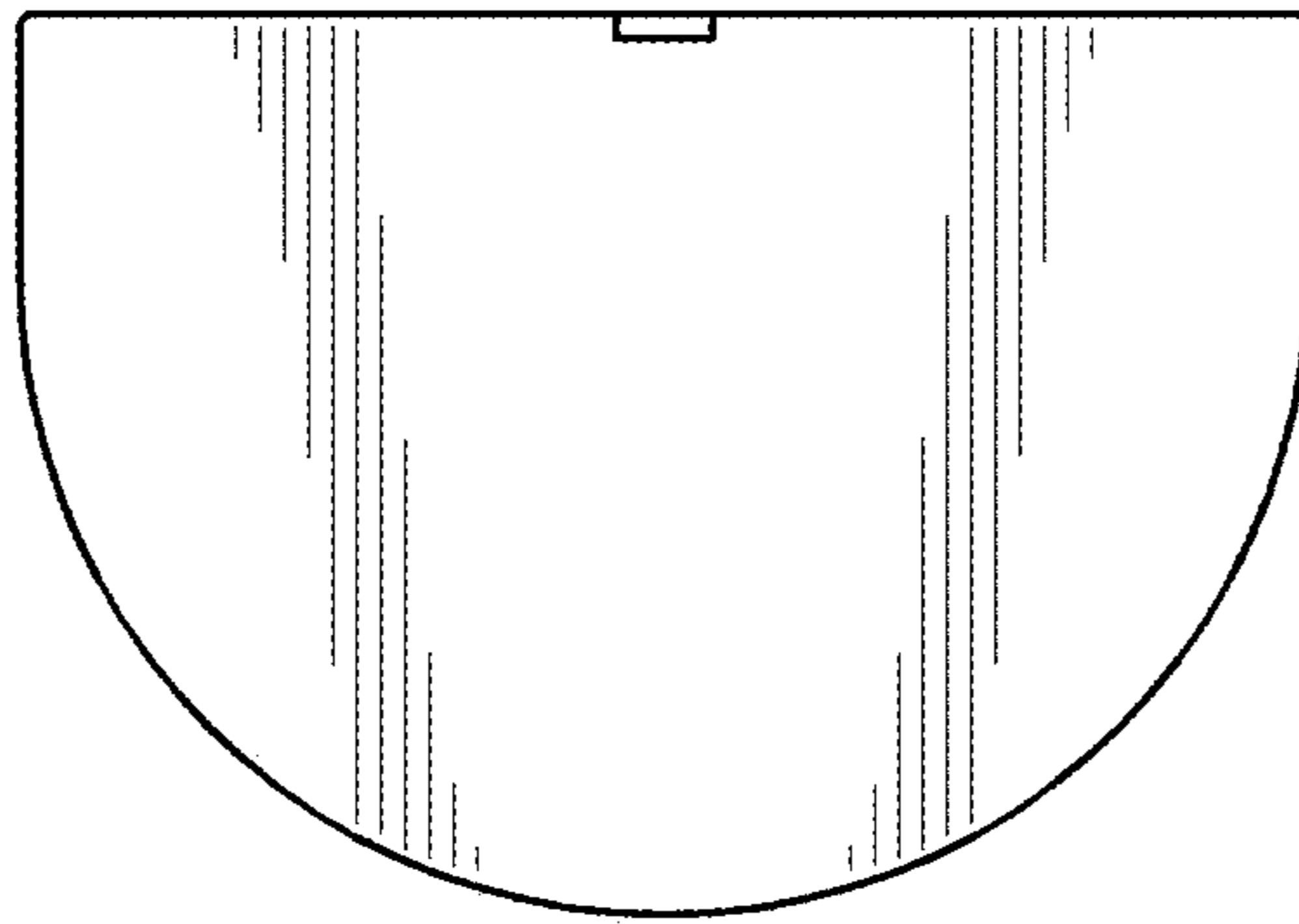
*Fig. 4*



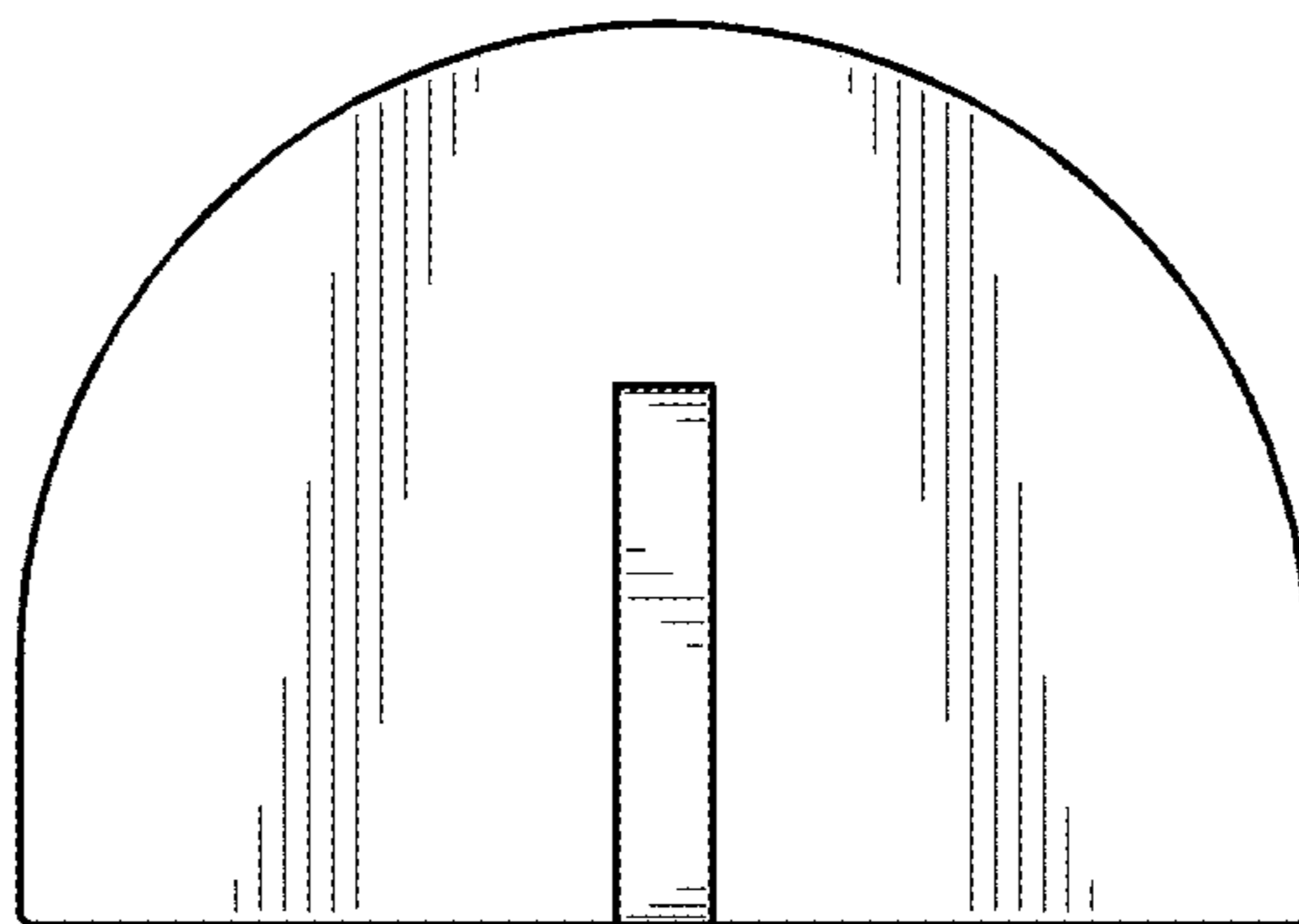
*Fig. 5*



*Fig. 6*



*Fig. 7*



*Fig. 8*