



US00D818740S

(12) **United States Design Patent** (10) **Patent No.:** **US D818,740 S**  
**Berkowitz et al.** (45) **Date of Patent:** **\*\* May 29, 2018**

(54) **DISPENSER**

(71) Applicant: **BLP INTERNATIONAL INC.**,  
Vaughan (CA)

(72) Inventors: **Adam Berkowitz**, Maple (CA);  
**Tommy Hawes**, Toronto (CA)

(73) Assignee: **BLP INTERNATIONAL INC.**,  
Vaughan, Ontario (CA)

(\*\*) Term: **15 Years**

(21) Appl. No.: **29/587,945**

(22) Filed: **Dec. 16, 2016**

(30) **Foreign Application Priority Data**

Dec. 6, 2016 (CA) ..... 171904

(51) **LOC (11) Cl.** ..... **23-02**

(52) **U.S. Cl.**  
USPC ..... **D6/542**

(58) **Field of Classification Search**

USPC ..... D6/542, 543-545; D9/291, 448, 449,  
D9/682, 688, 690, 694; 222/14, 146.3,  
222/173, 181.1, 251, 628

CPC . B67D 1/001; B67D 1/06; A47K 7/04; A47K  
5/12; A47K 5/1204; A47K 5/1205; A47K  
5/1207; A47K 5/08; A47K 5/1202; A47K  
5/1214; A47K 5/1215; A47K 5/14; A47K  
5/16

See application file for complete search history.

(56) **References Cited**

**U.S. PATENT DOCUMENTS**

D287,448 S	*	12/1986	Yoo	.....	D6/542
D378,642 S	*	4/1997	DeGennaro	.....	D6/542
D770,799 S	*	11/2016	Albo	.....	D6/545

\* cited by examiner

*Primary Examiner* — Wan Laymon

*Assistant Examiner* — Mark Booker

(57) **CLAIM**

The ornamental design for a dispenser, as shown and described.

**DESCRIPTION**

FIG. 1 is a perspective view of the shower dispenser, shown with a single dispenser unit;

FIG. 2 is another perspective view of the shower dispenser of FIG. 1;

FIG. 3 is a left side view of the shower dispenser of FIG. 1;

FIG. 4 is a front view of the shower dispenser of FIG. 1;

FIG. 5 is a right side view of the shower dispenser of FIG. 1;

FIG. 6 is a rear view of the shower dispenser of FIG. 1;

FIG. 7 is a top view of the shower dispenser of FIG. 1;

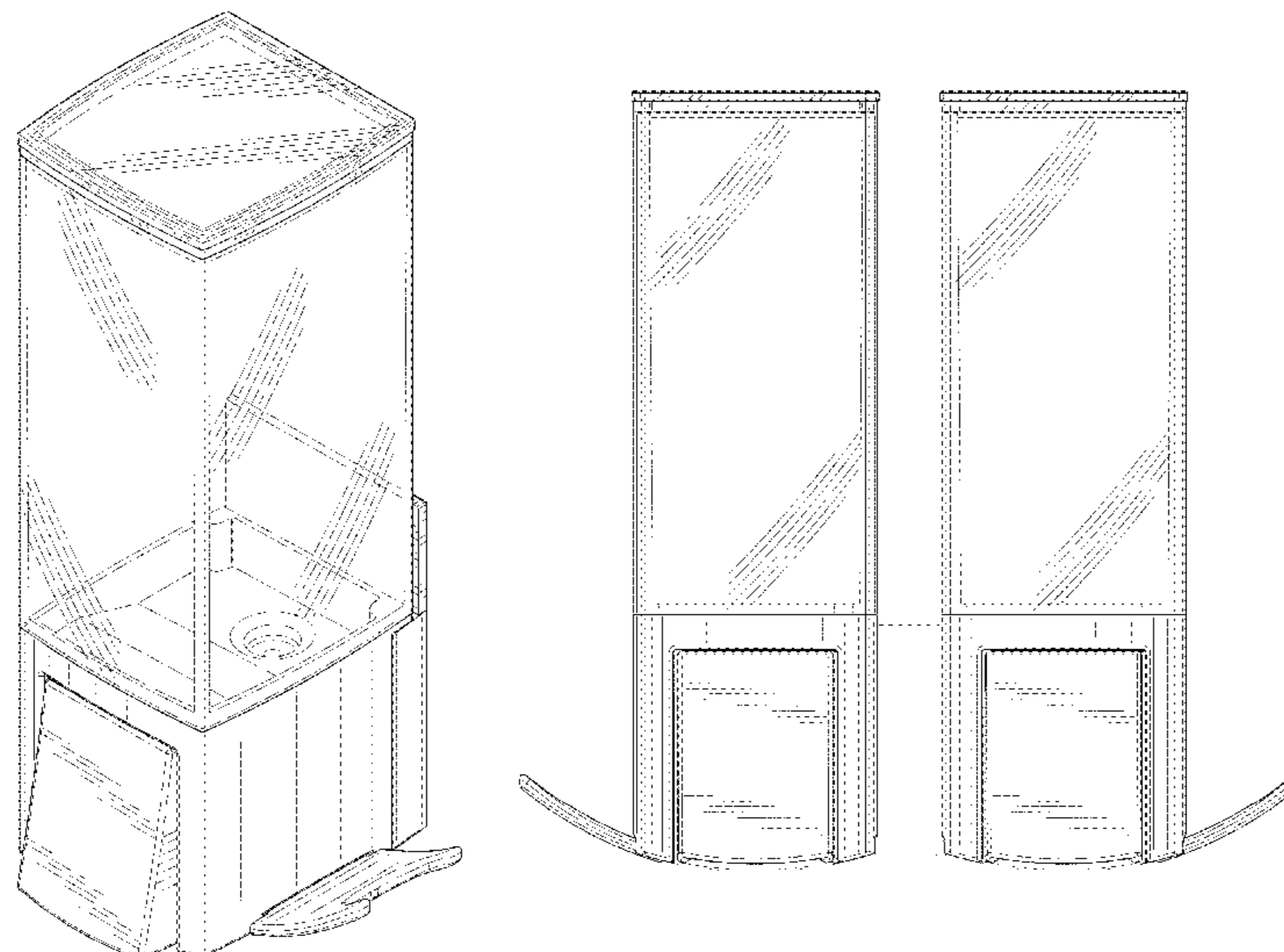
FIG. 8 is a bottom view of the shower dispenser of FIG. 1;

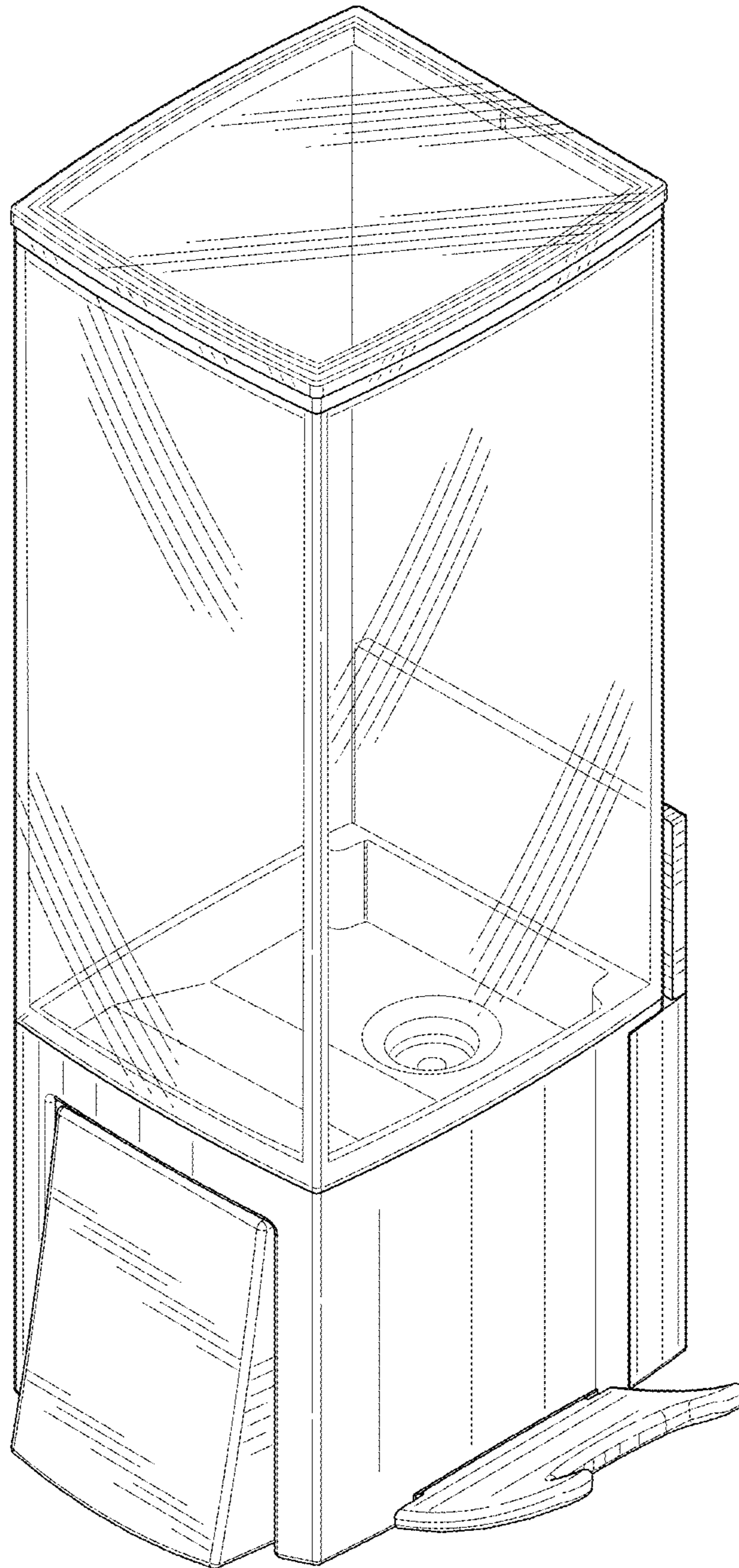
FIG. 9 is a front view of the shower dispenser, shown with two dispenser units; and,

FIG. 10 is a front view of the shower dispenser, shown with three or more dispenser units.

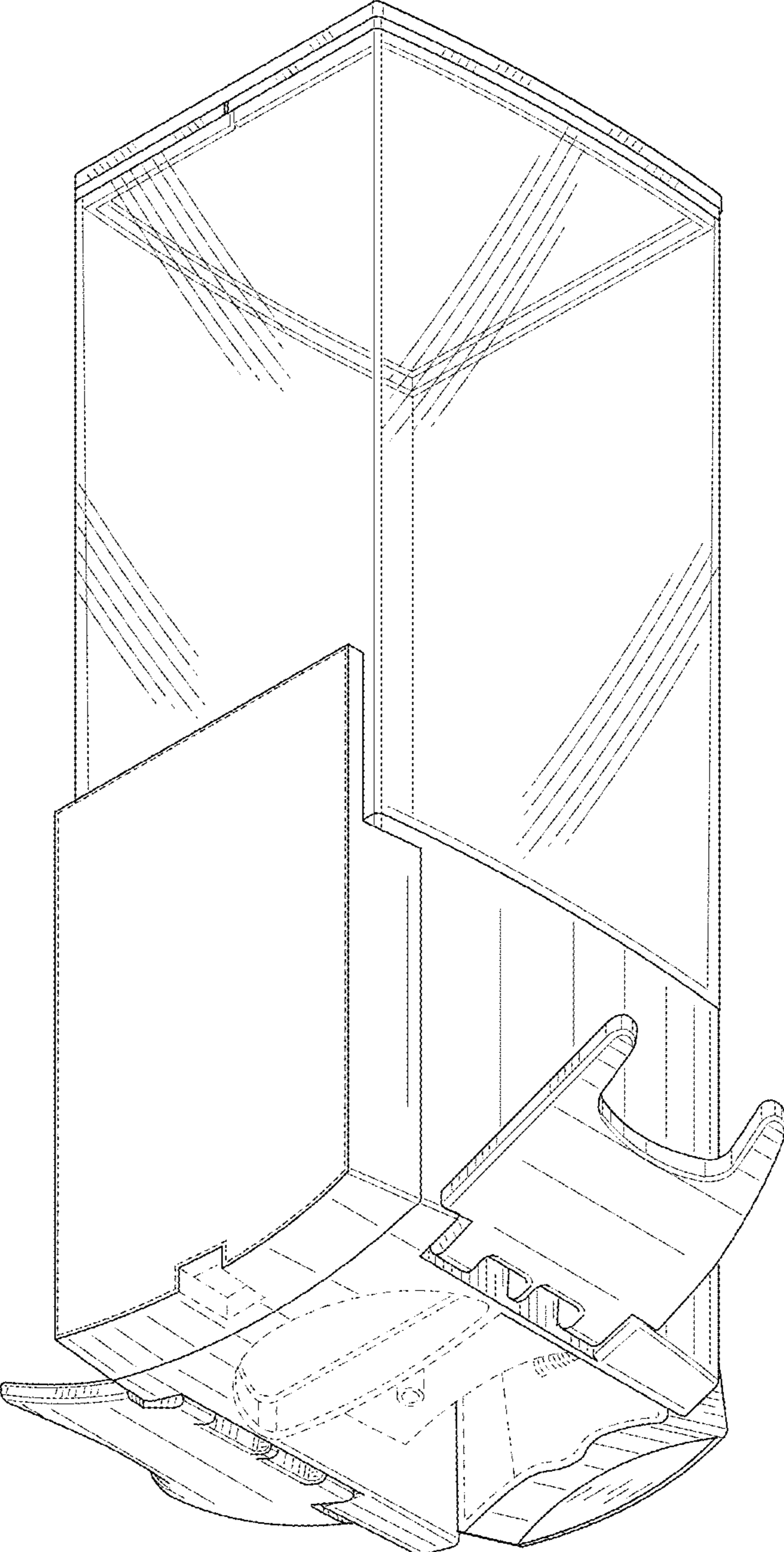
The broken away symbols in the drawings indicate that any portion of the dispenser beyond what is shown forms no part of the claimed design. One or more dispenser units are repeated at regular intervals throughout the length of the article.

**1 Claim, 7 Drawing Sheets**

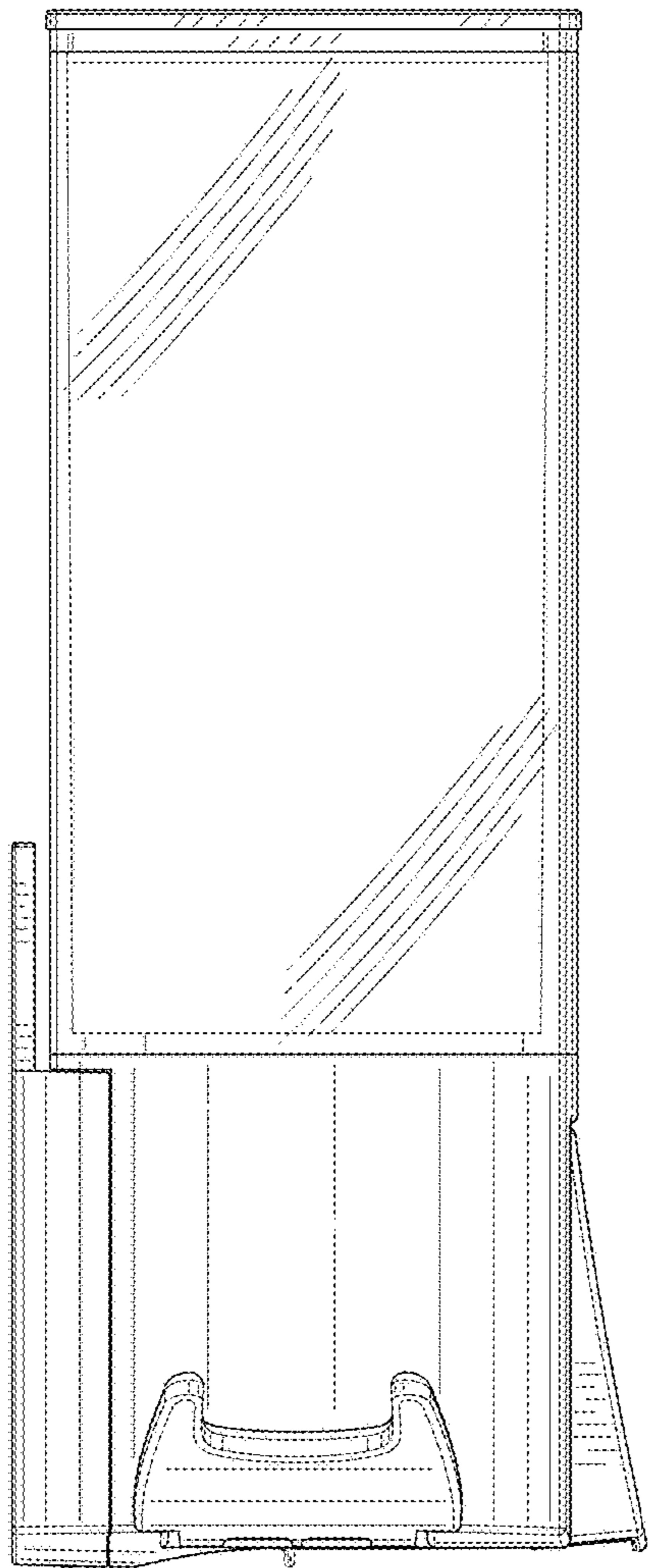




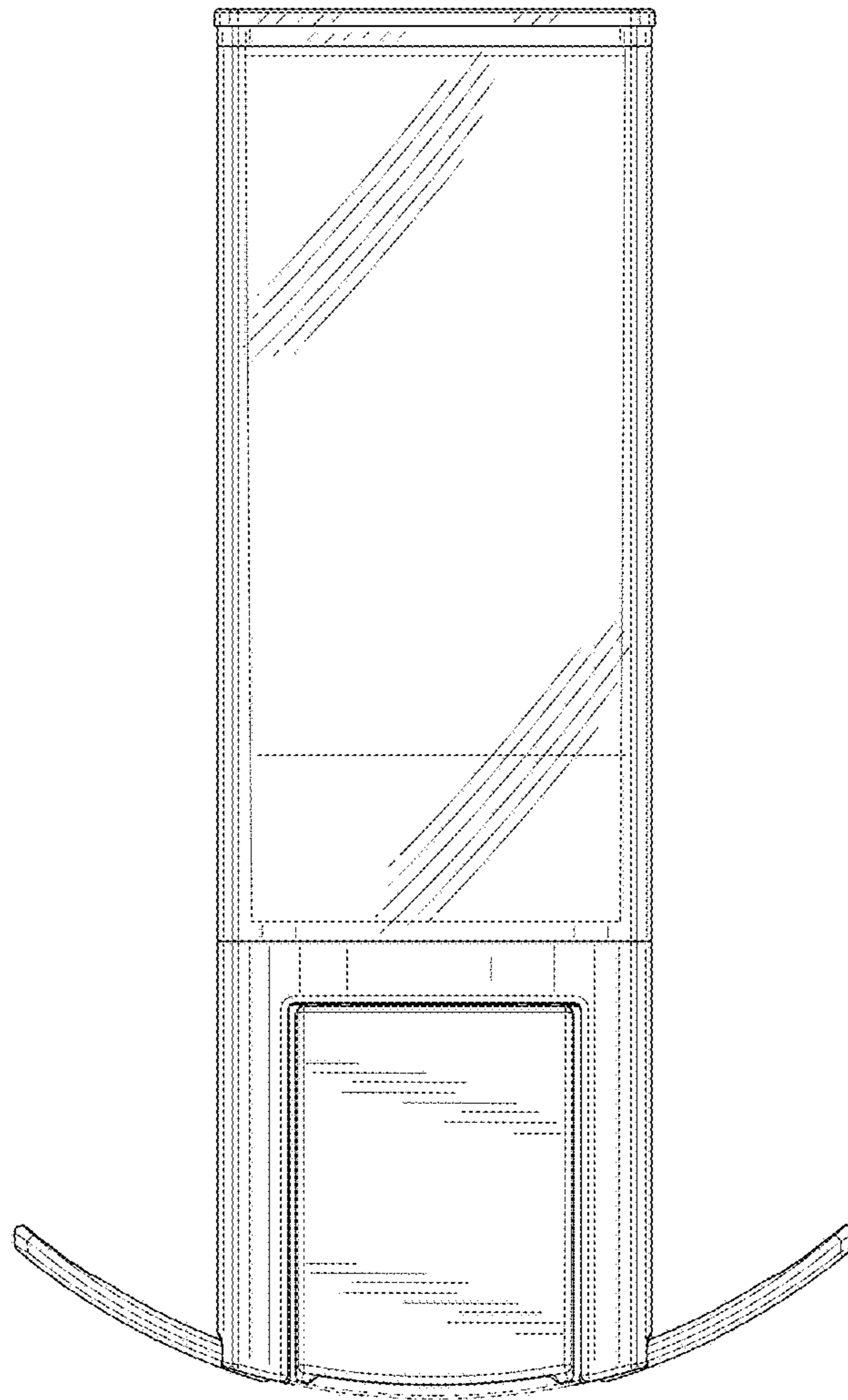
**FIG. 1**



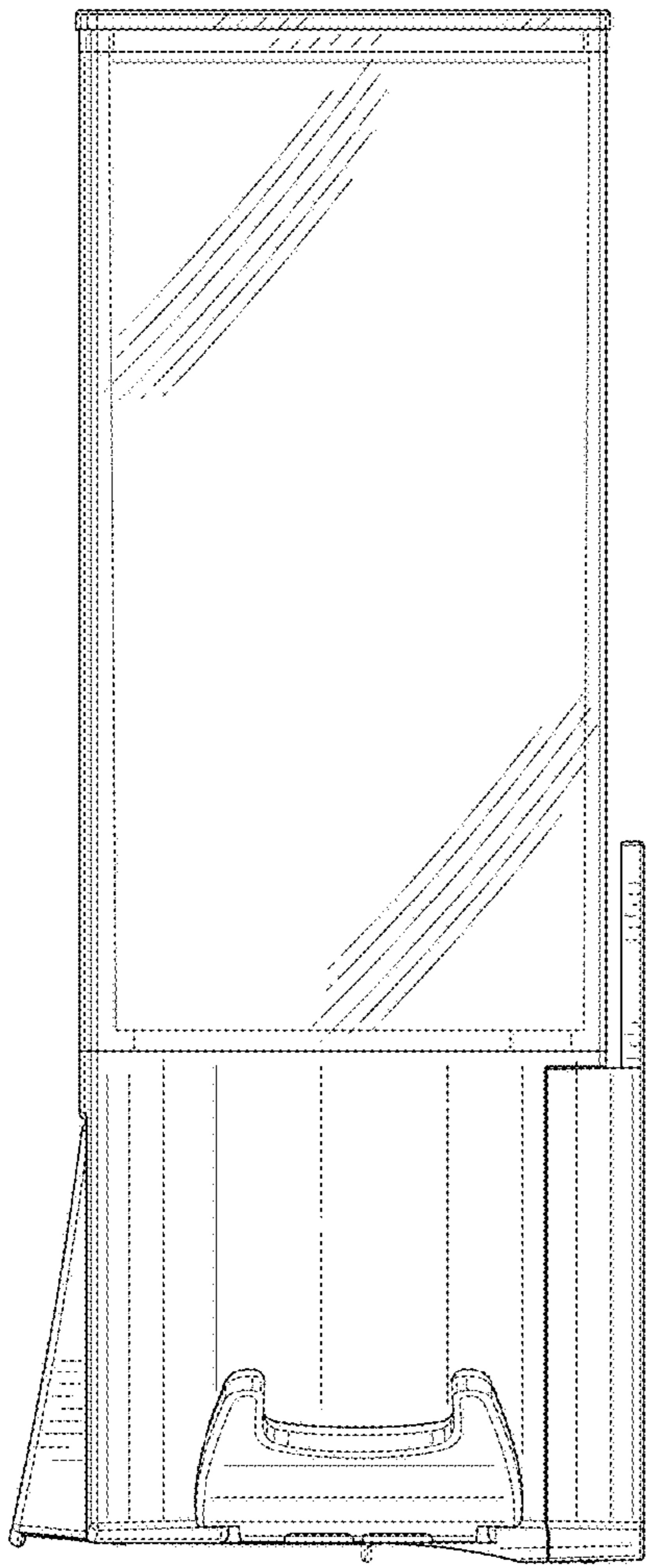
**FIG. 2**



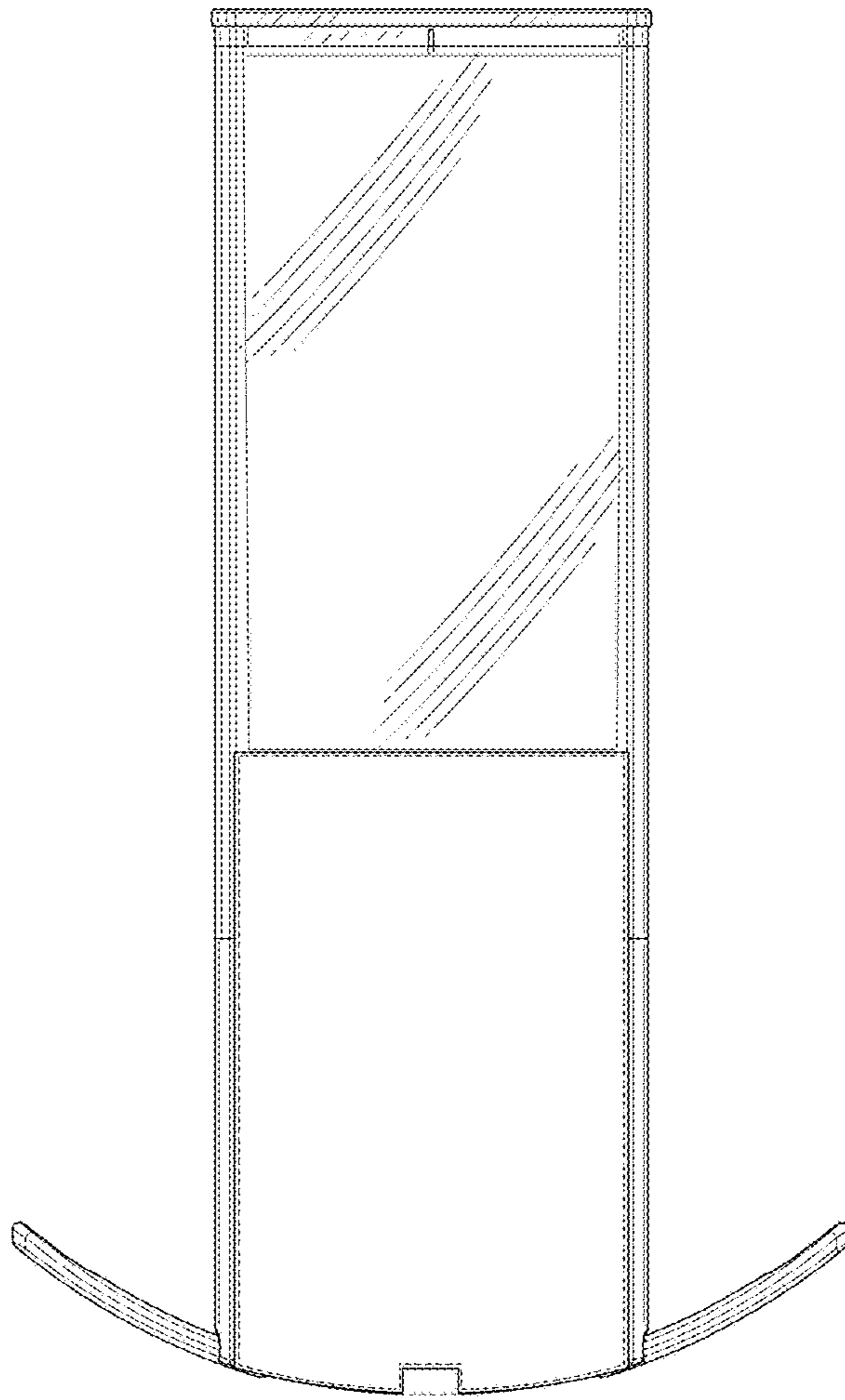
**FIG. 3**



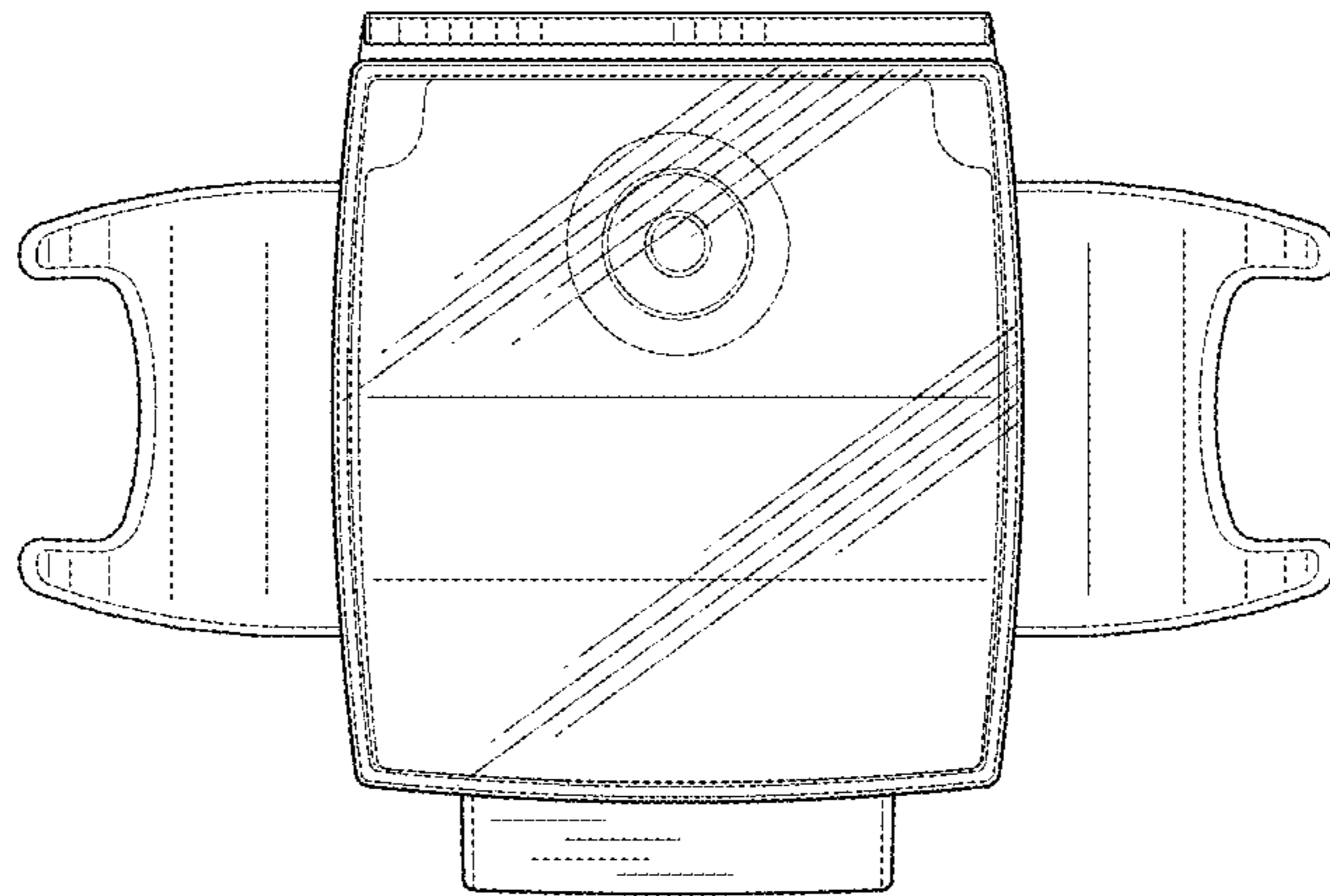
**FIG. 4**



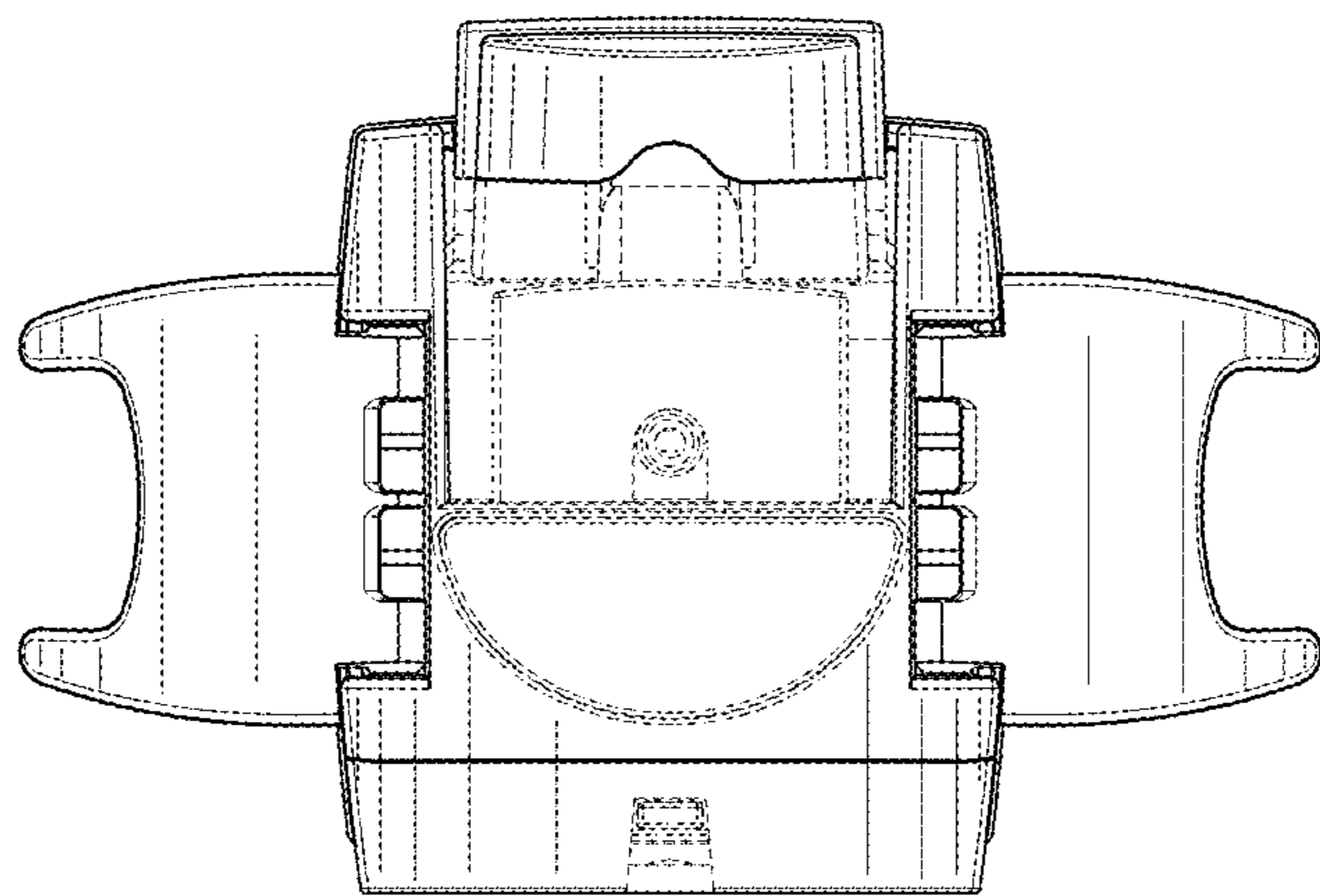
**FIG. 5**



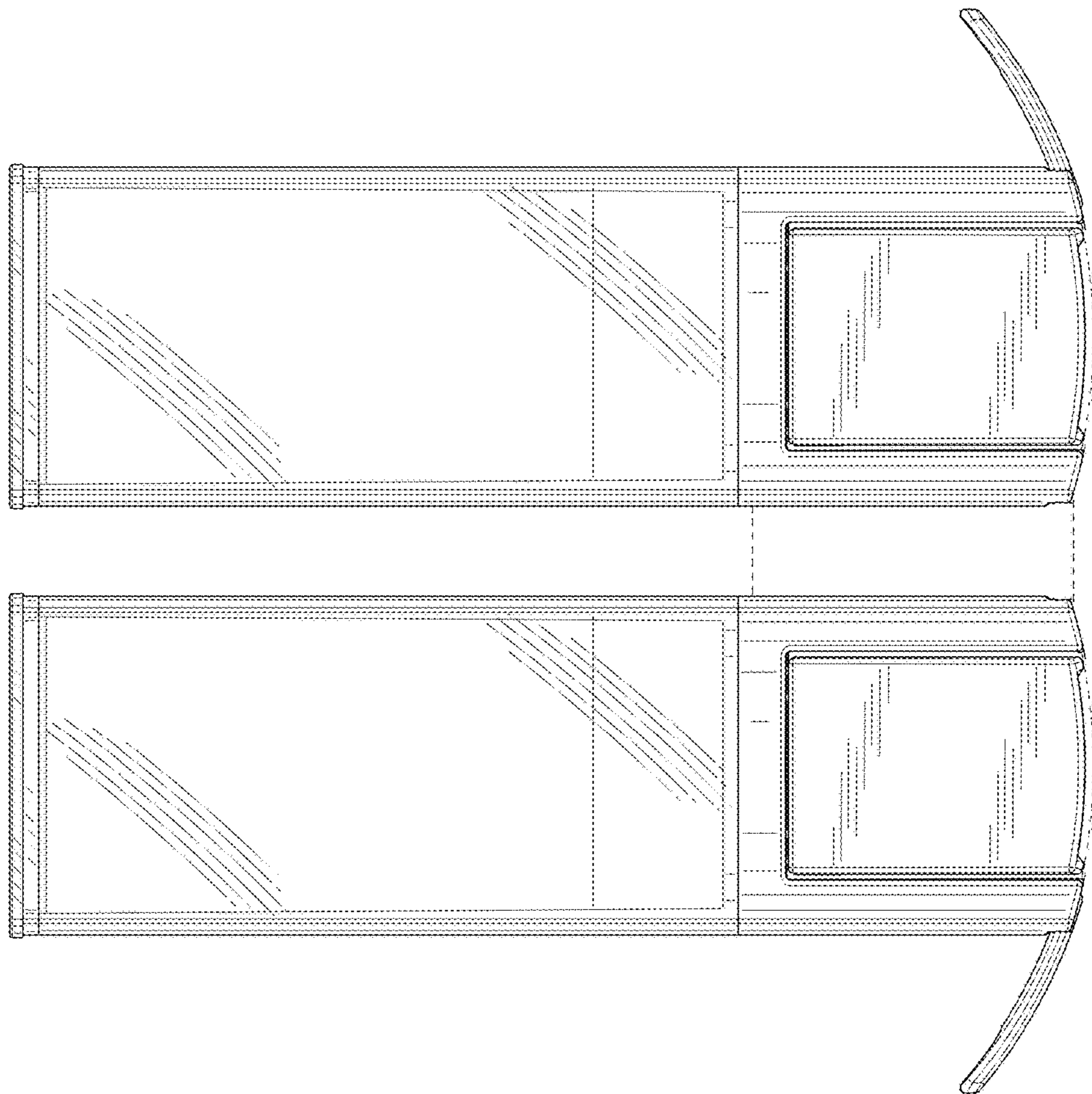
**FIG. 6**



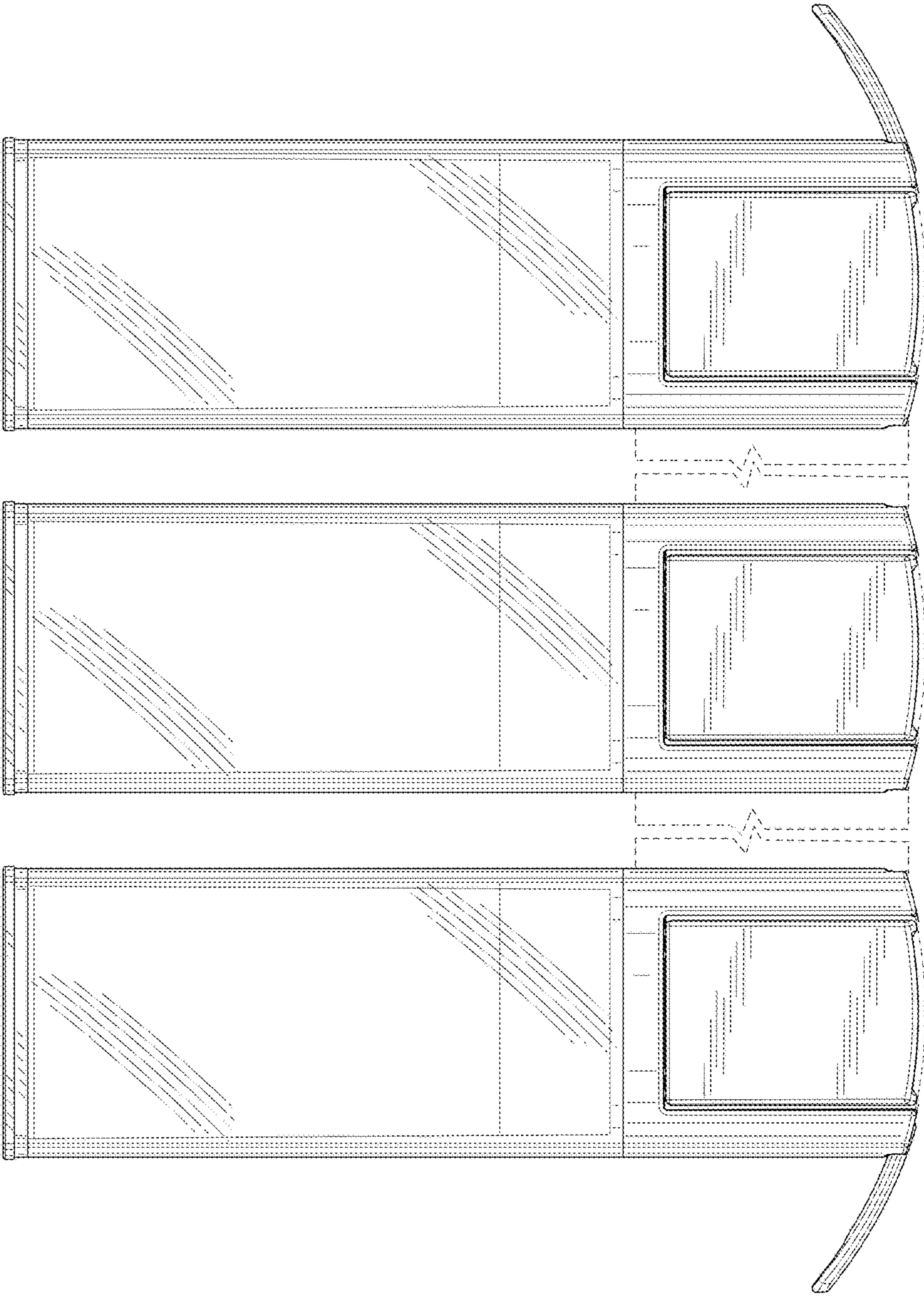
**FIG. 7**



**FIG. 8**



**FIG. 9**



**FIG. 10**