



US00D818739S

(12) **United States Design Patent** (10) **Patent No.:** **US D818,739 S**
Buell et al. (45) **Date of Patent:** **** May 29, 2018**

(54) **DISPENSER STAND**

(71) Applicant: **GOJO Industries, Inc.**, Akron, OH (US)

(72) Inventors: **Shelby Jay Buell**, Medina, OH (US); **Andrew P. Tojek**, Garfield Heights, OH (US); **Mark W. Moore**, Aurora, OH (US)

(73) Assignee: **GOJO Industries, Inc.**, Akron, OH (US)

(**) Term: **15 Years**

(21) Appl. No.: **29/585,811**

(22) Filed: **Nov. 29, 2016**

(51) **LOC (11) Cl.** **23-02**

(52) **U.S. Cl.**
USPC **D6/542**

(58) **Field of Classification Search**
USPC D6/542, 512, 513, 545, 543, 515;
D7/300, 306, 313, 397; D9/733; D20/1;
206/225, 233, 389, 391; 211/13.1, 45;
222/108, 73
CPC A47K 5/00; B67D 3/0029; A47B 81/007;
A47F 9/04; F25D 2331/806; Y10T
225/238; A47G 19/183; A61C 15/043;
B65D 35/56; B65D 51/249
See application file for complete search history.

(56) **References Cited**

U.S. PATENT DOCUMENTS

D352,867 S	11/1994	Morris
D359,546 S	6/1995	Savage
D604,974 S	12/2009	Morrison
D671,346 S	11/2012	Zlatic
D686,839 S	7/2013	Markwick
D734,086 S	7/2015	Tseng
D735,487 S	8/2015	Marino

D735,490 S	*	8/2015	Lewis	D6/545
D768,407 S	*	10/2016	Patterson	D6/545
D780,473 S	*	3/2017	Brownley	D6/515
D781,064 S	*	3/2017	Brownley	D6/515
D781,065 S	*	3/2017	Brownley	D6/515
D781,068 S	*	3/2017	Brownley	D6/545
D787,856 S	*	5/2017	Okuno-Jones	D6/545
D796,868 S		9/2017	Johnson		

OTHER PUBLICATIONS

Notice of Allowance from U.S. Appl. No. 29/590,239 dated Dec. 8, 2017.

* cited by examiner

Primary Examiner — Mark Goodwin

(74) *Attorney, Agent, or Firm* — Calfee, Halter & Griswold LLP

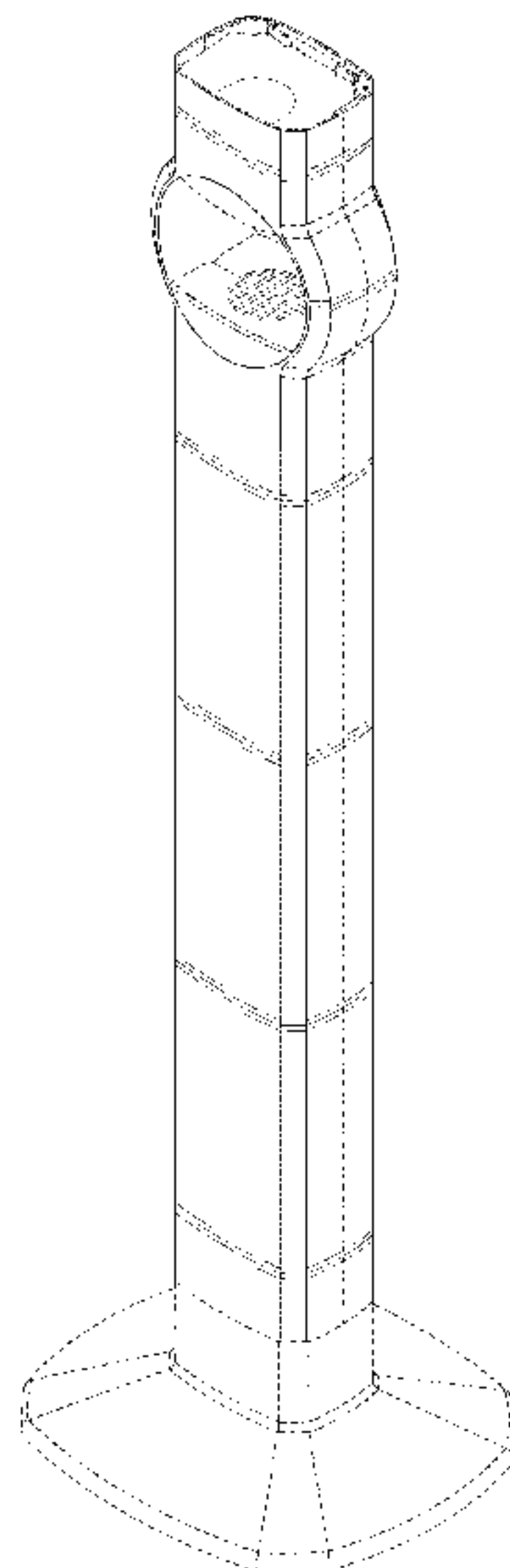
(57) **CLAIM**

The ornamental design for a dispenser stand, as shown and described.

DESCRIPTION

FIG. 1 is a perspective view of a dispenser stand of the new design;
FIG. 2 is front elevational view of the dispenser stand of FIG. 1;
FIG. 3 is a right side elevational view of the dispenser stand of FIG. 1;
FIG. 4 is a rear elevational view plan view of the dispenser stand of FIG. 1;
FIG. 5 is a left side elevational view of the dispenser stand of FIG. 1;
FIG. 6 is a top plan view of the dispenser stand of FIG. 1; and,
FIG. 7 is bottom view of the dispenser stand of FIG. 1.
The portions of the Figures shown in broken lines are not part of the claimed design and are for illustration only.

1 Claim, 4 Drawing Sheets



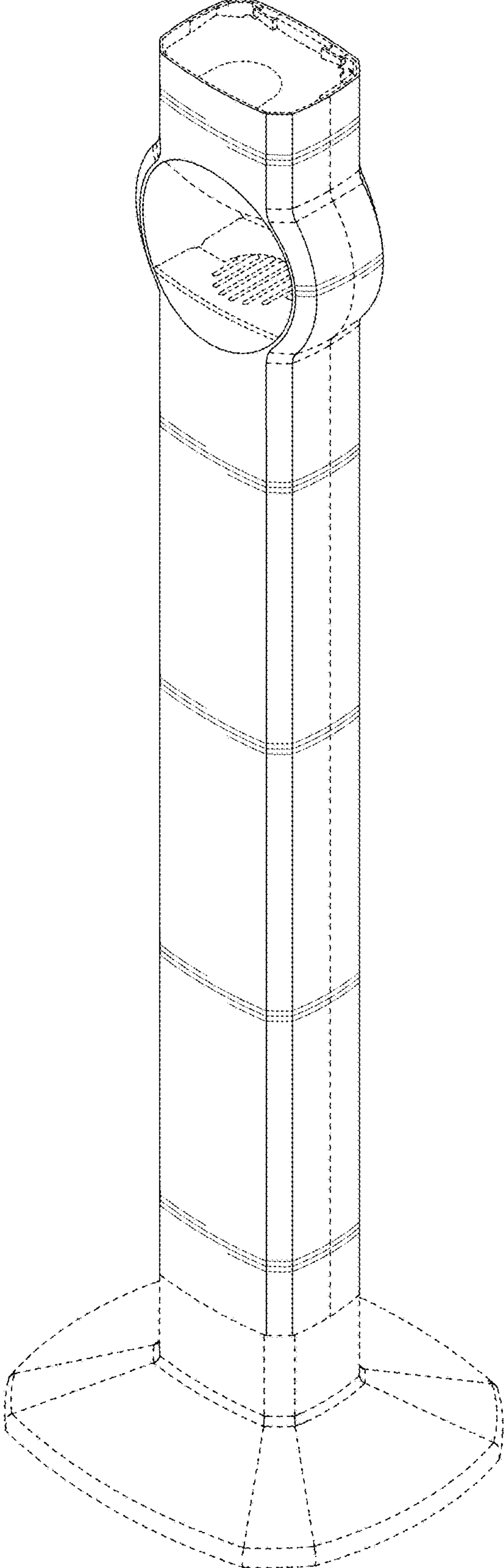


FIG. 1

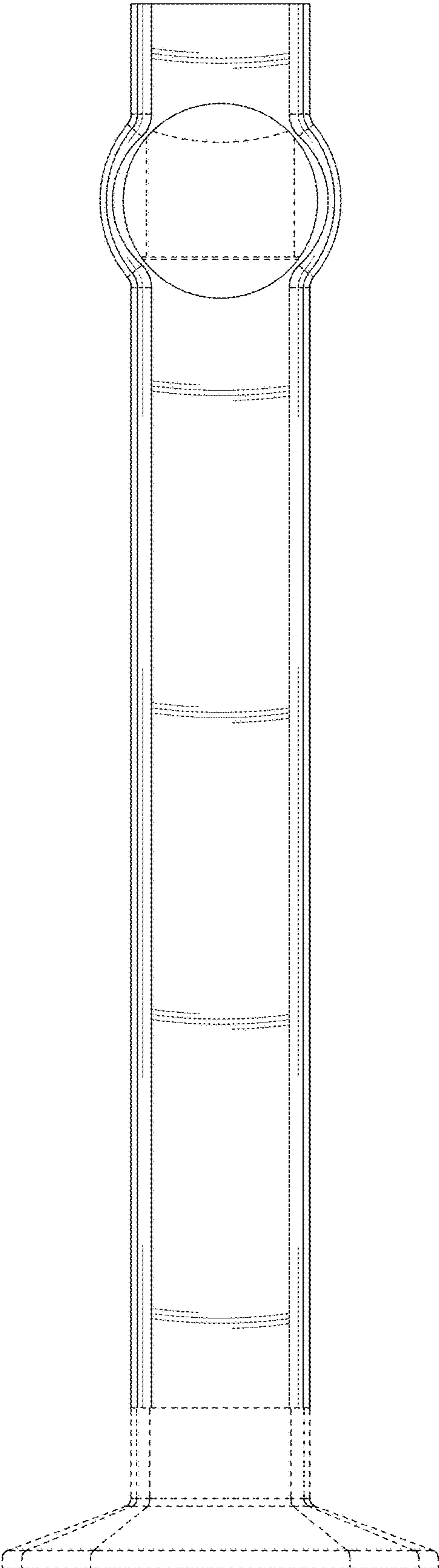


FIG. 2

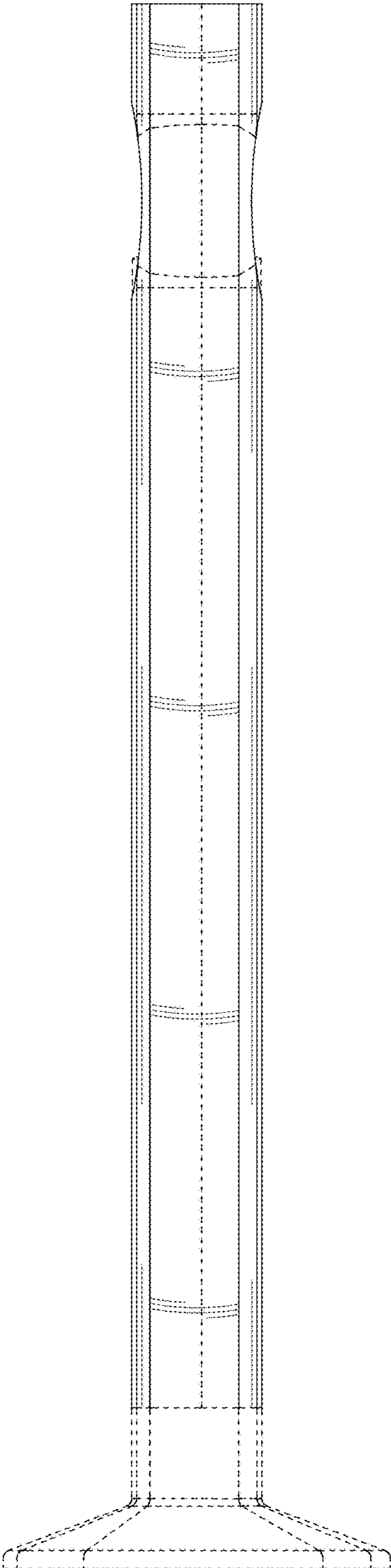


FIG. 3

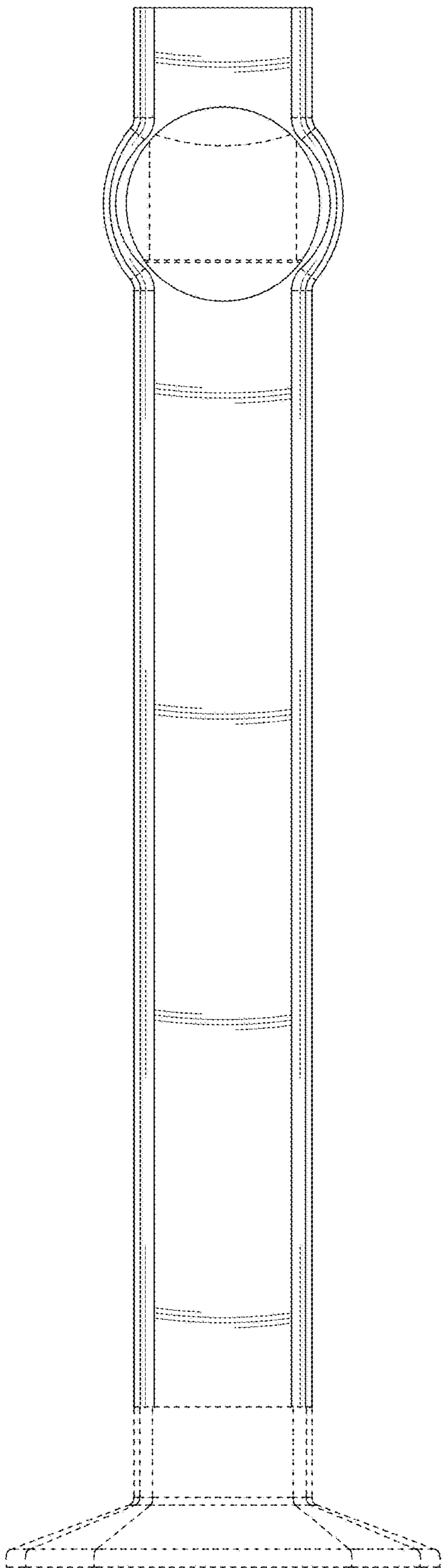


FIG. 4

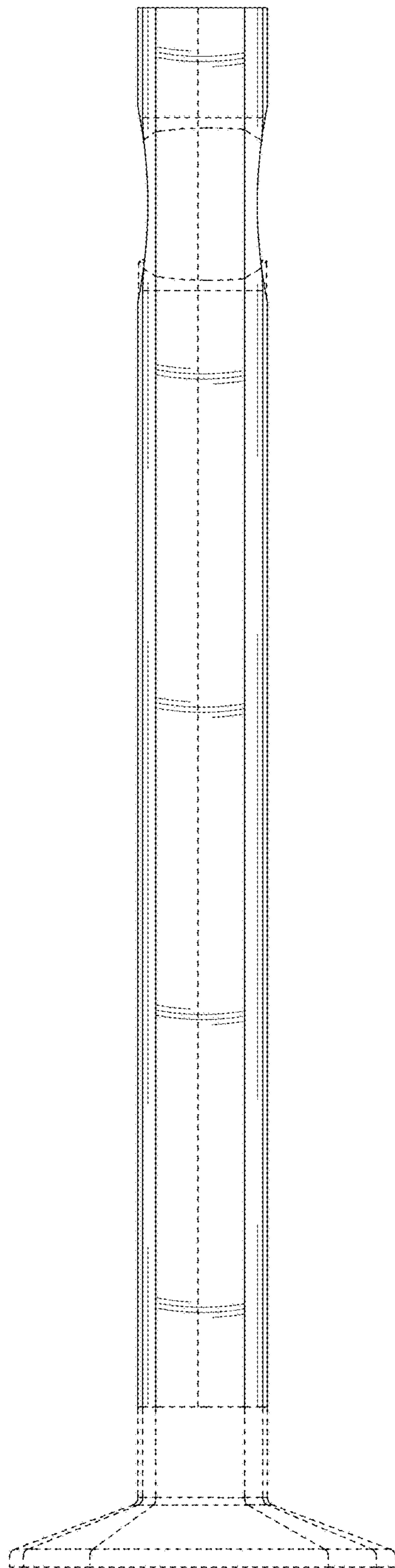


FIG. 5

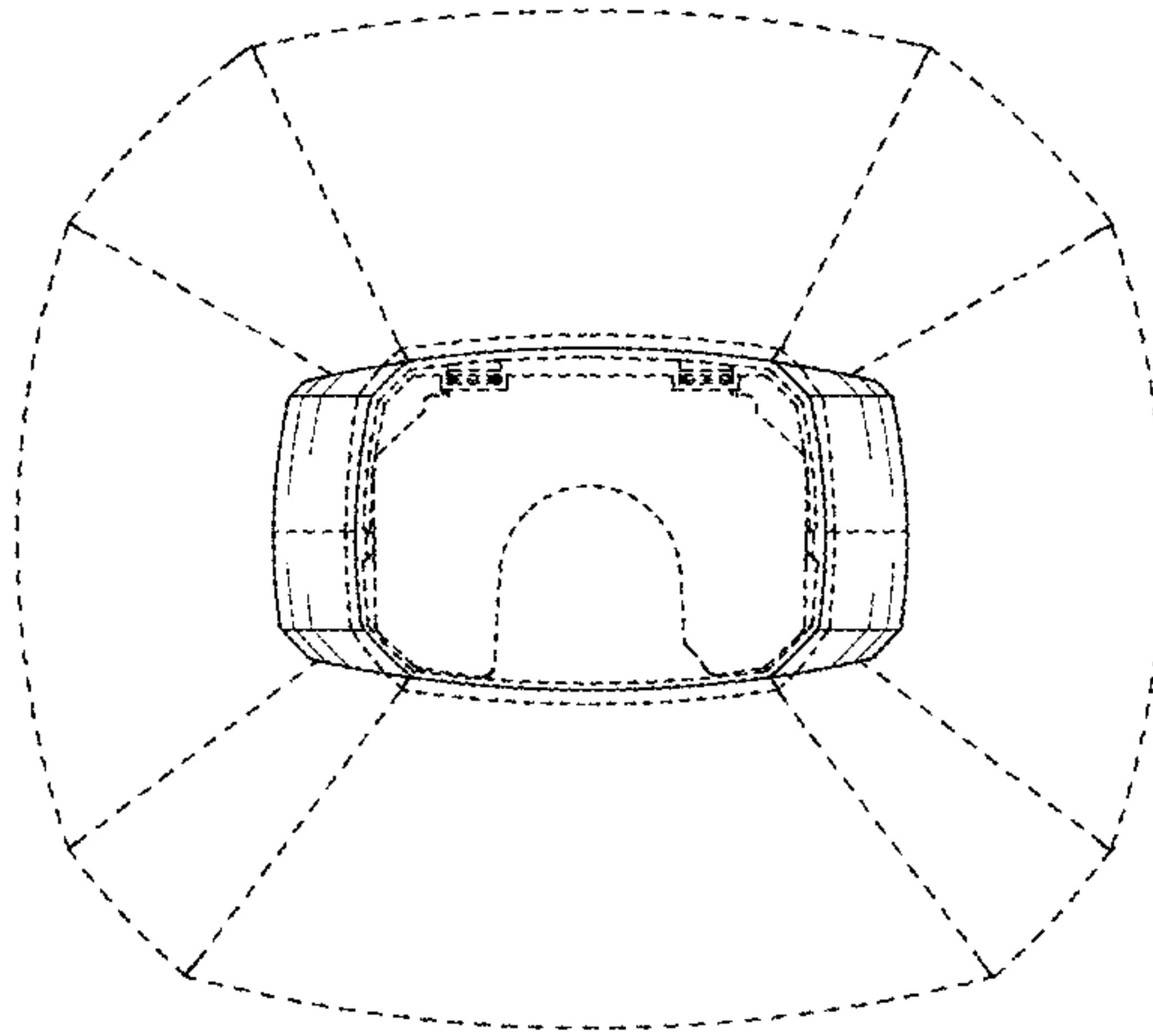


FIG. 6

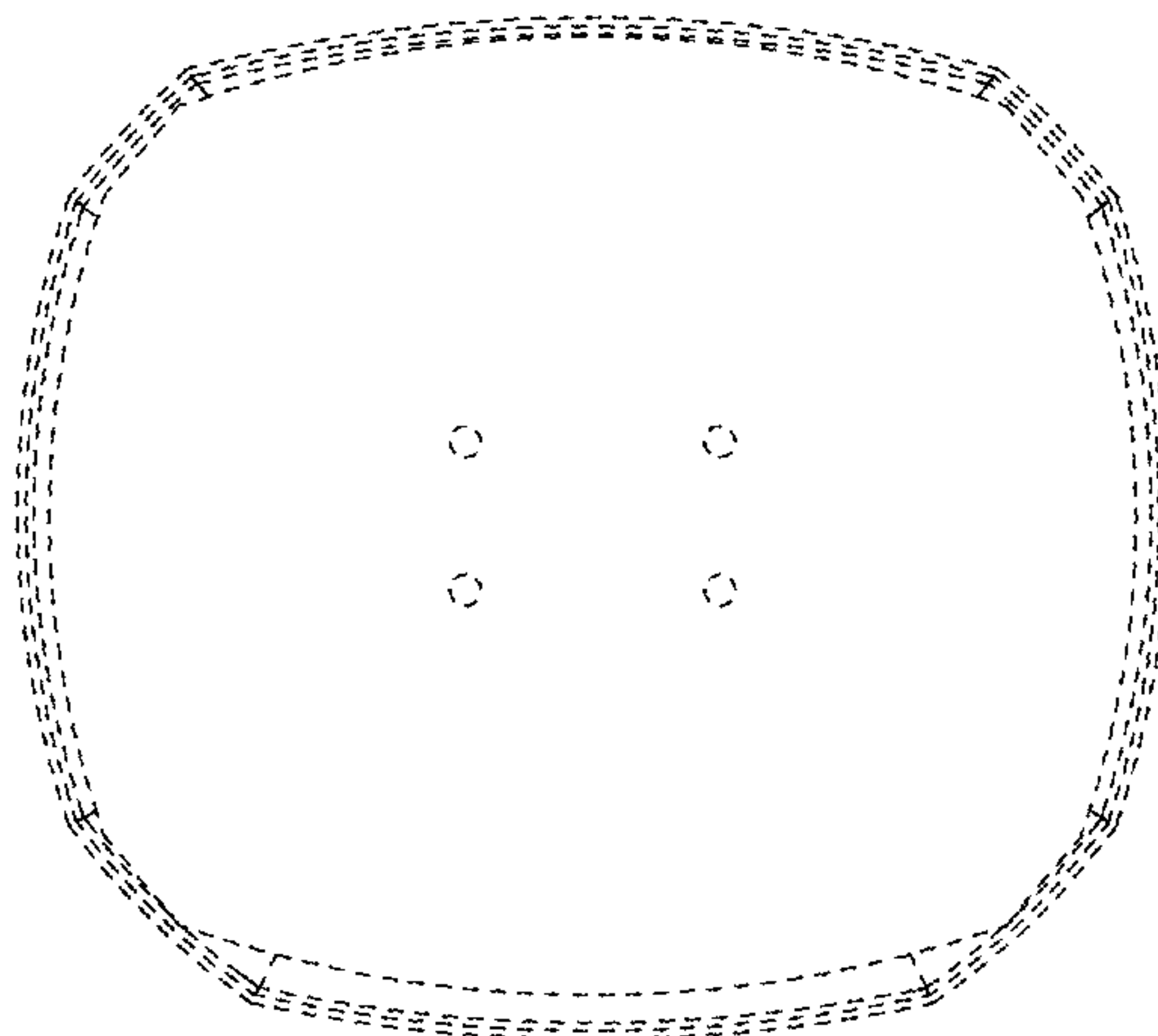


FIG. 7