



US00D818738S

(12) **United States Design Patent** (10) **Patent No.:** **US D818,738 S**  
**Cross** (45) **Date of Patent:** **\*\* May 29, 2018**

- (54) **DISPENSER**
- (71) Applicant: **GPCP IP Holdings LLC**, Atlanta, GA (US)
- (72) Inventor: **Brandon Seth Cross**, Atlanta, GA (US)
- (73) Assignee: **GPCP IP HOLDINGS LLC**, Atlanta, GA (US)
- (\*\*) Term: **15 Years**
- (21) Appl. No.: **29/600,286**
- (22) Filed: **Apr. 11, 2017**

5,636,812 A	6/1997	Conner et al.
5,813,624 A	9/1998	Grasso et al.
5,954,256 A	9/1999	Niada
6,056,233 A	5/2000	Von Schenk
D441,228 S	5/2001	Andersson
D443,778 S *	6/2001	Andersson ..... D6/518
6,758,434 B2 *	7/2004	Kapiloff ..... A47K 10/3836 242/597.8
D543,402 S	5/2007	Goeking et al.
7,219,852 B2 *	5/2007	Tramontina ..... A47K 10/38 242/422.5
D543,745 S	6/2007	Goeking et al.
D547,581 S	7/2007	Cittadino et al.

(Continued)

**Related U.S. Application Data**

- (62) Division of application No. 29/548,134, filed on Dec. 10, 2015.
- (51) **LOC (11) Cl.** ..... **20-02**
- (52) **U.S. Cl.**  
USPC ..... **D6/520**
- (58) **Field of Classification Search**  
USPC ..... D6/518, 520, 512, 553, 559, 560, 566,  
D6/567, 572, 573, 574; D7/601, 608,  
D7/622, 704; D3/201, 202, 205, 306,  
D3/304, 316  
CPC . B65H 35/10; B65H 2701/191; A47F 13/085;  
A47F 2009/044; Y10T 225/393  
See application file for complete search history.

**References Cited**

**U.S. PATENT DOCUMENTS**

D156,646 S	6/1948	Mell
2,840,319 A	5/1956	Danko
D212,010 S	8/1968	Tucker
4,872,601 A	10/1989	Sigmund
D312,179 S	11/1990	De Luca et al.
D335,410 S *	5/1993	Abel ..... D6/520
5,265,816 A	11/1993	Collins
D358,516 S	5/1995	Chen

**OTHER PUBLICATIONS**

Linha Dispensers [online] [retrieved Apr. 12, 2017]. Retrieved from the Internet: <URL: [http://www.mepsol.com/br/1\\_dispensers.html](http://www.mepsol.com/br/1_dispensers.html)>. (undated) 1 page.

(Continued)

*Primary Examiner* — Lauren R Calve  
(74) *Attorney, Agent, or Firm* — Alston & Bird LLP

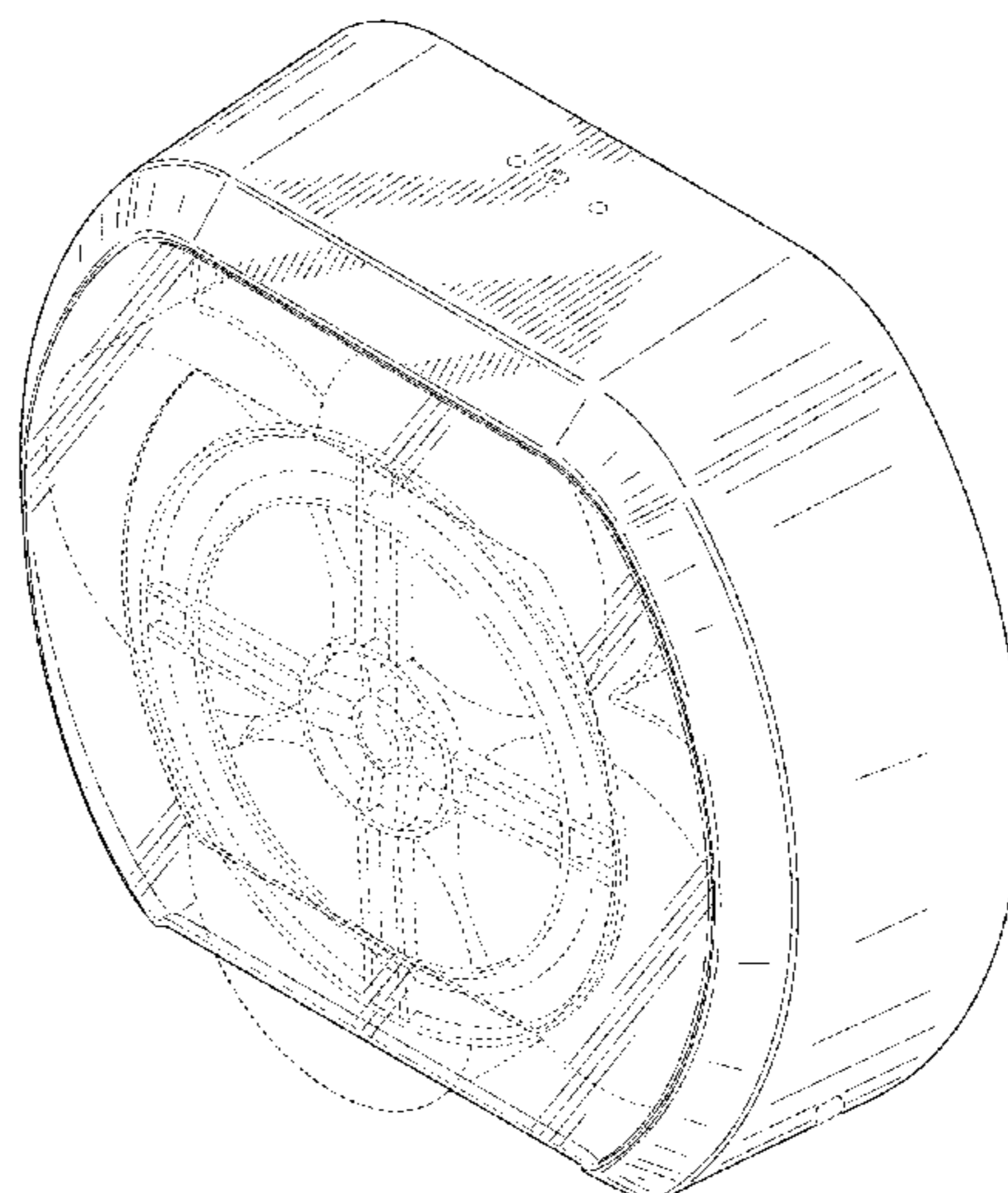
(57) **CLAIM**

I claim the ornamental design for a dispenser, as shown and described.

**DESCRIPTION**

FIG. 1 is a perspective view of a dispenser showing my new design;  
FIG. 2 is a front elevation view thereof;  
FIG. 3 is a rear elevation view thereof;  
FIG. 4 is a right side elevation view thereof;  
FIG. 5 is a left side elevation view thereof;  
FIG. 6 is a top plan view thereof; and,  
FIG. 7 is a bottom plan view thereof.  
The broken lines shown represent unclaimed subject matter and form no part of the claimed design.

**1 Claim, 5 Drawing Sheets**



(56)

References Cited

U.S. PATENT DOCUMENTS

D551,474 S	9/2007	Cittadino et al.	
D556,482 S	12/2007	Goeking et al.	
D572,058 S	7/2008	Cittadino et al.	
D605,444 S	12/2009	Marietta-Tondin	
7,648,097 B2 *	1/2010	Cattacin .....	A47K 10/3836 242/560
D613,537 S	4/2010	Pattberg	
D623,452 S	9/2010	McNeely et al.	
D654,740 S	2/2012	Cheng et al.	
D667,661 S	9/2012	Norton	
D668,485 S *	10/2012	Velazquez .....	D6/523
D695,542 S	12/2013	Niada	
D719,373 S	12/2014	Hawry et al.	
D727,058 S	4/2015	Morand	
D756,683 S *	5/2016	Morand .....	D6/518
D761,585 S	7/2016	Roche et al.	
D766,612 S	9/2016	Roche et al.	
2002/0050544 A1	5/2002	Stanland et al.	
2006/0102770 A1	5/2006	Goeking et al.	
2007/0290094 A1	12/2007	Anderson	
2008/0128448 A1	6/2008	Cittadino et al.	
2008/0156926 A1	7/2008	Cattacin et al.	
2014/0103133 A1	4/2014	Muderlak et al.	

OTHER PUBLICATIONS

Dispenser [online] [retrieved Apr. 12, 2017]. Retrieved from the Internet: <URL: <http://www.mepsol.com.br/images/dispenser01.png>>. (undated) 1 page.

*Compact Bath Tissue and Dispensers—Brands—Georgia-Pacific Professional*. [online] [retrieved Dec. 14, 2015]. Retrieved from the

Internet: <URL: [https://www.gppro.com/brand\\_compact.aspx](https://www.gppro.com/brand_compact.aspx)>. 3 pages.

*Compact® Coreless Bathroom Tissue & Dispensers* [online] [retrieved Dec. 14, 2015]. Retrieved from the Internet: <URL: <https://www.catalog.gppro.com/catalog/6281>>. 8 pages.

*Georgia pacific tissue dispenser—Google Search* [online] [retrieved Mar. 9, 2016]. Retrieved from the Internet: <URL: [https://https://www.google.com/search?q=georgia+pacific+toilet+paper+dispenser&source=lnms&tbm=isch&sa=X&ved=0ahUKEwiXyoq187PLAhUJKiYKHURwAaIQ\\_AUICCGC#tbm=isch&q=georgia+pacific+tissue+dispenser](https://https://www.google.com/search?q=georgia+pacific+toilet+paper+dispenser&source=lnms&tbm=isch&sa=X&ved=0ahUKEwiXyoq187PLAhUJKiYKHURwAaIQ_AUICCGC#tbm=isch&q=georgia+pacific+tissue+dispenser)>. 2 pages.

*Georgia pacific toilet paper dispenser—Google Search* [online] [retrieved Mar. 9, 2016]. Retrieved from the Internet: <URL: [http://www.google.com/search?q=georgia+pacific+toilet+paper+dispenser&source=lnms&tbm=isch&sa=X&ved=0ahUKEwiXyoq187PLAhUJKiYKHURwAaIQ\\_AUICCGC](http://www.google.com/search?q=georgia+pacific+toilet+paper+dispenser&source=lnms&tbm=isch&sa=X&ved=0ahUKEwiXyoq187PLAhUJKiYKHURwAaIQ_AUICCGC)>. 3 pages.

*Georgia-Pacific Compact 56784 Translucent Smoke Side-By-Side Double Roll Bathroom Tissue Dispenser: Toilet Paper Holders*: Amazon.com [online] [retrieved Dec. 14, 2015]. Retrieved from the Internet: <URL: [https://www.amazon.com/gp/product/B001B0E7M0/ref=s9\\_al\\_bw\\_g328\\_il](https://www.amazon.com/gp/product/B001B0E7M0/ref=s9_al_bw_g328_il)>. 7 pages.

Design U.S. Appl. No. 29/548,134 entitled “Dispenser”, inventor Brandon Seth Cross, filed Dec. 10, 2015, 17 pages.

Notice of Allowance for corresponding U.S. Appl. No. 29/539,552 dated Mar. 16, 2016.

Notice of Allowance for corresponding U.S. Appl. No. 29/539,556 dated Mar. 8, 2016.

Office Action for U.S. Appl. No. 29/548,134 dated Apr. 21, 2017, 12 pages.

\* cited by examiner

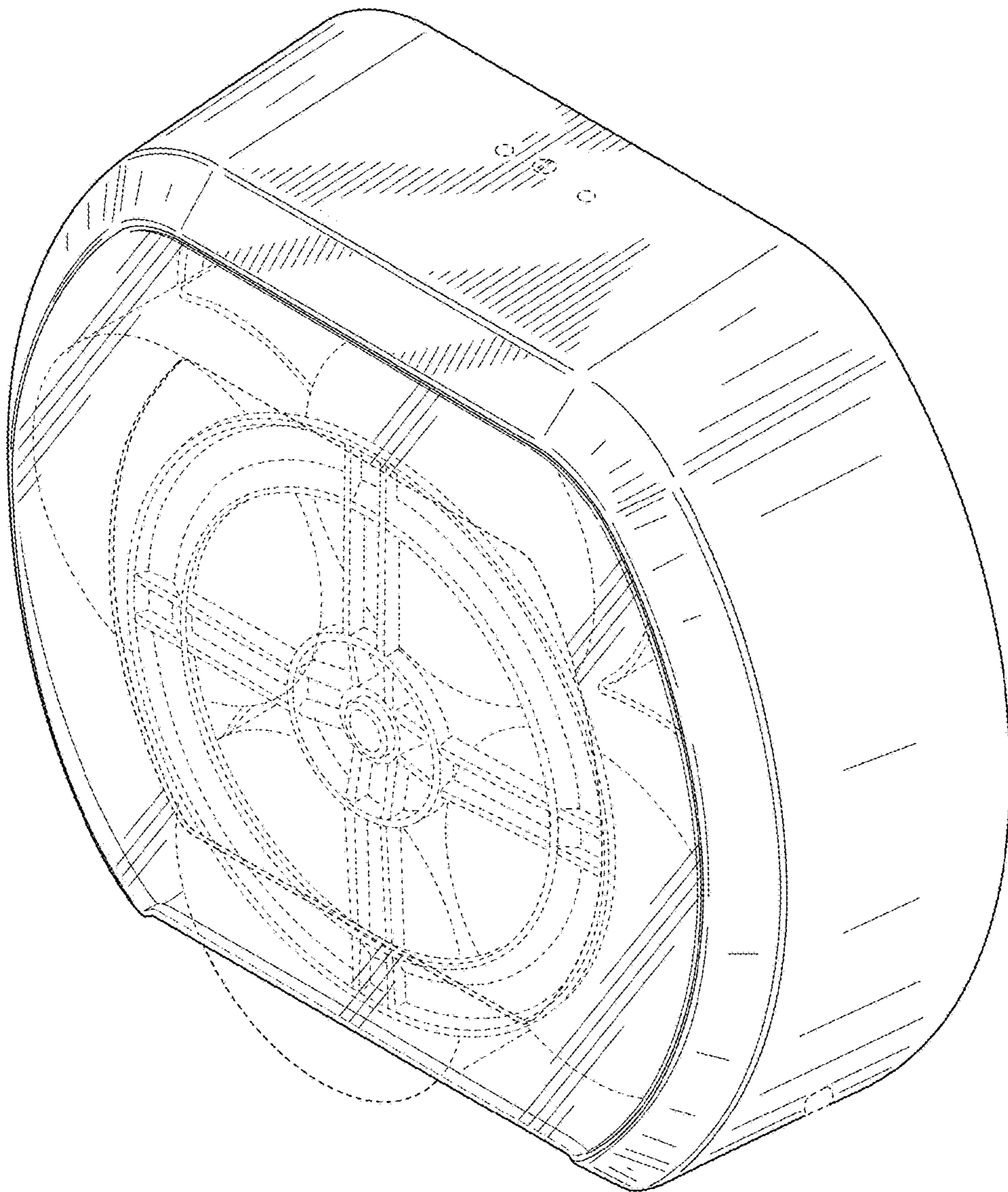


FIG. 1

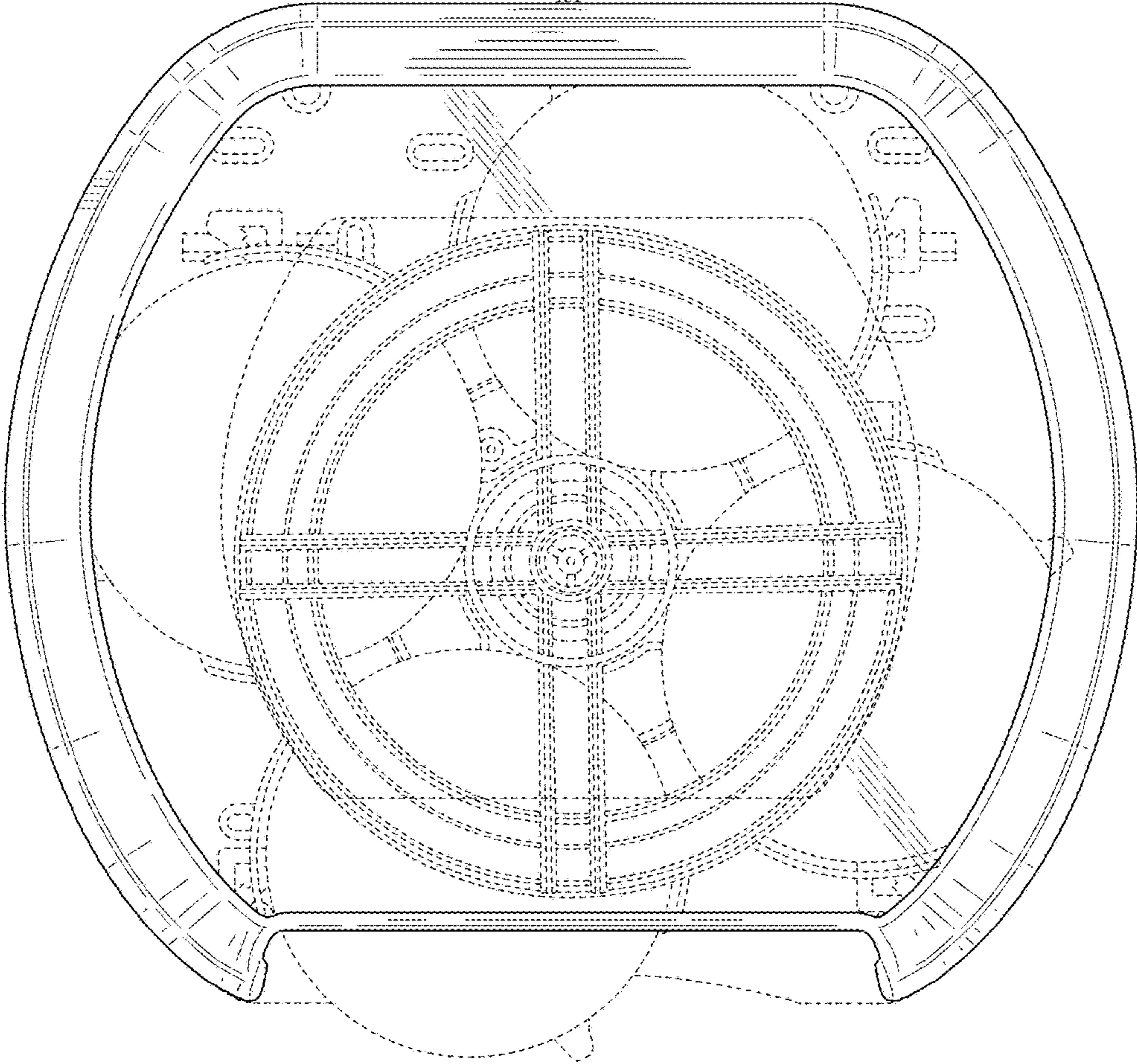


FIG. 2

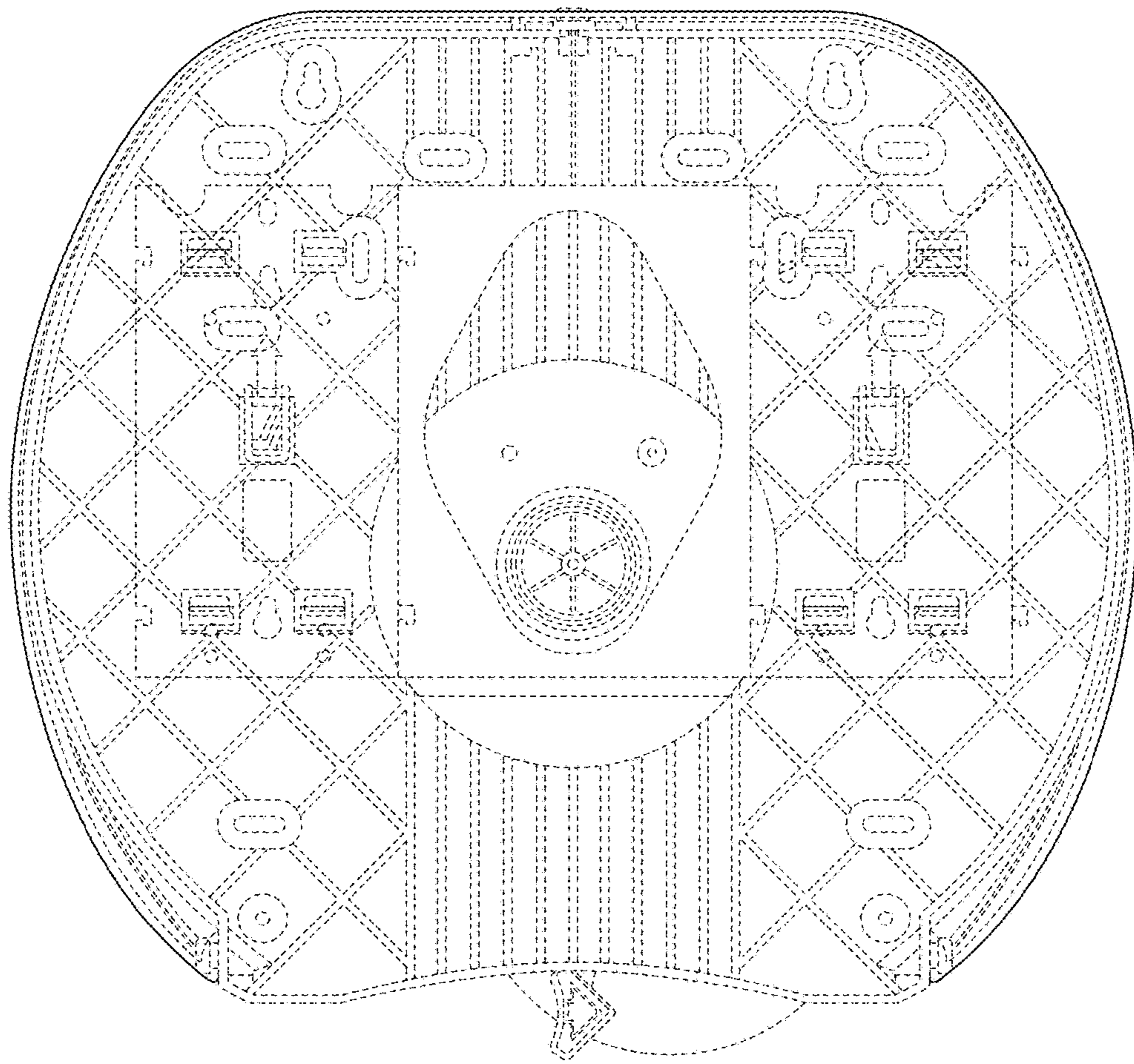


FIG. 3

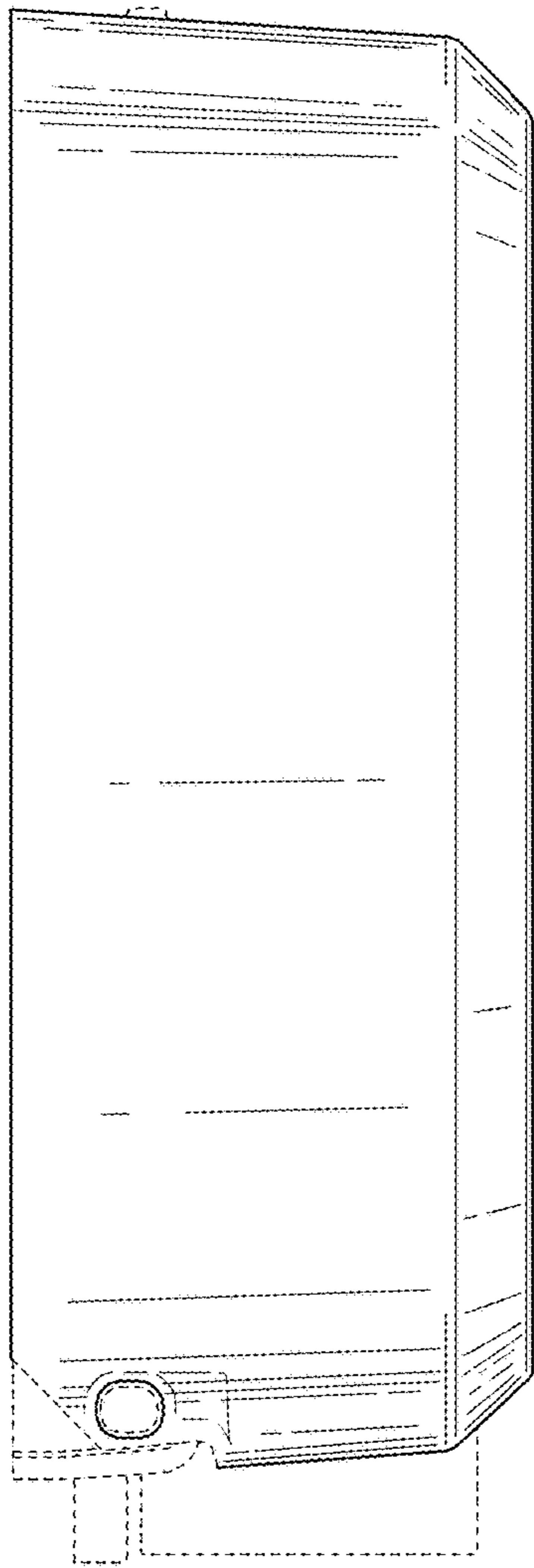


FIG. 4

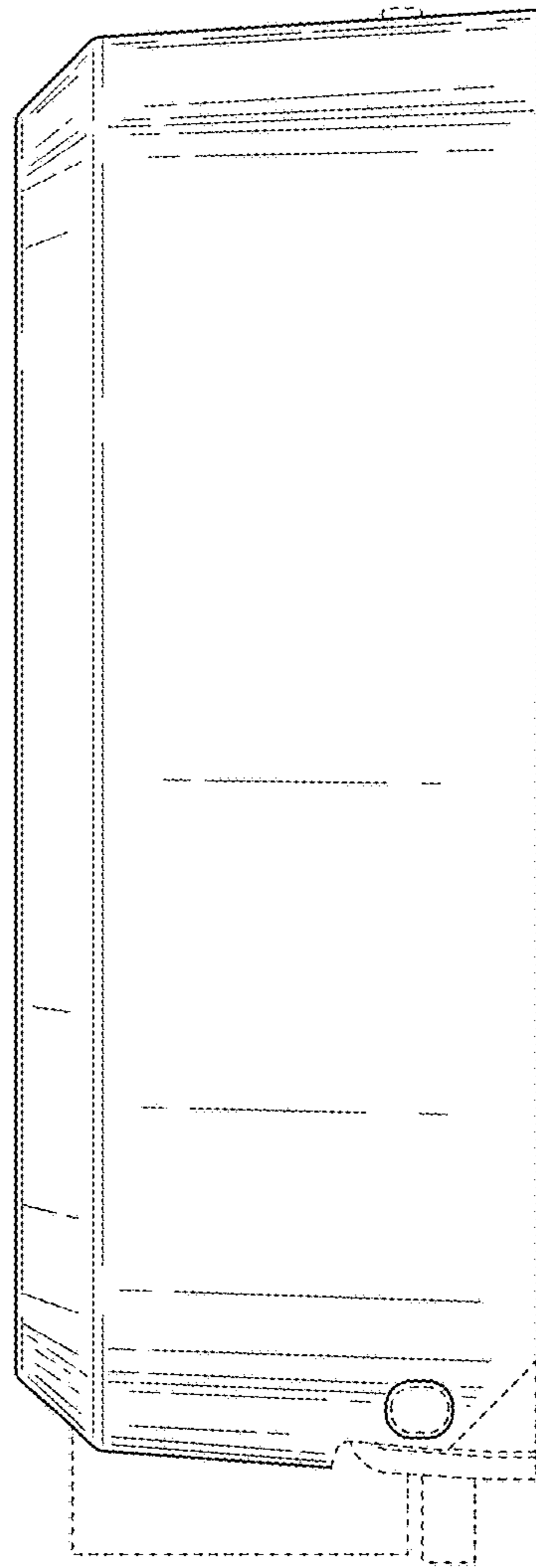


FIG. 5

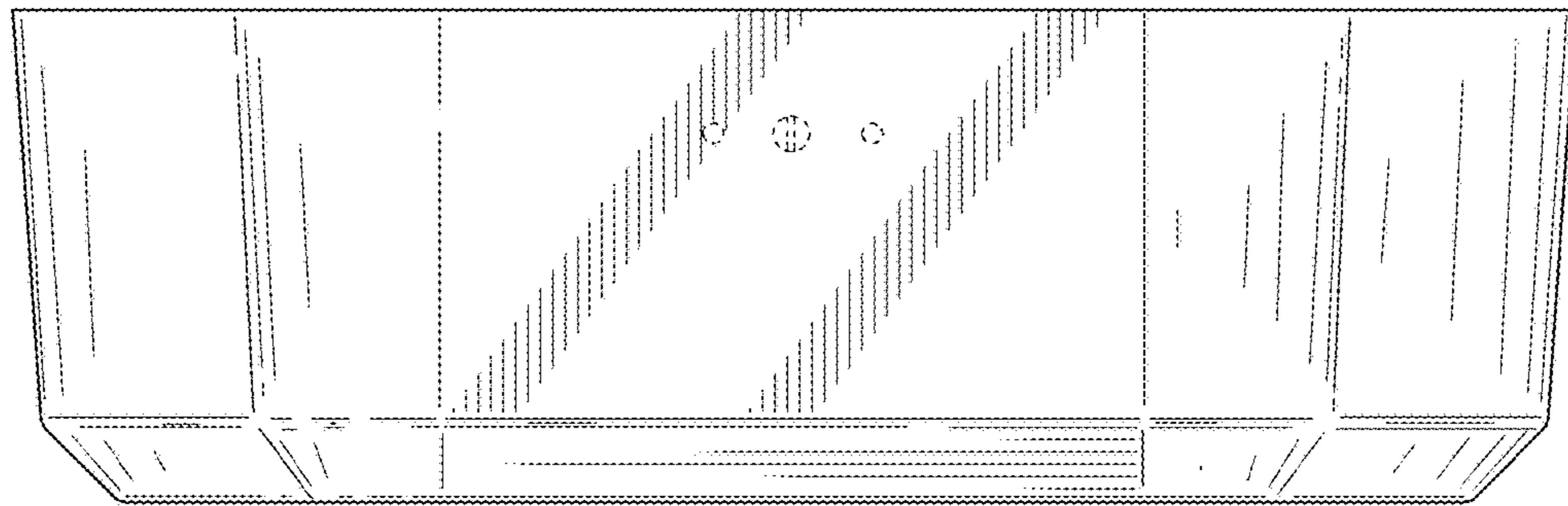


FIG. 6

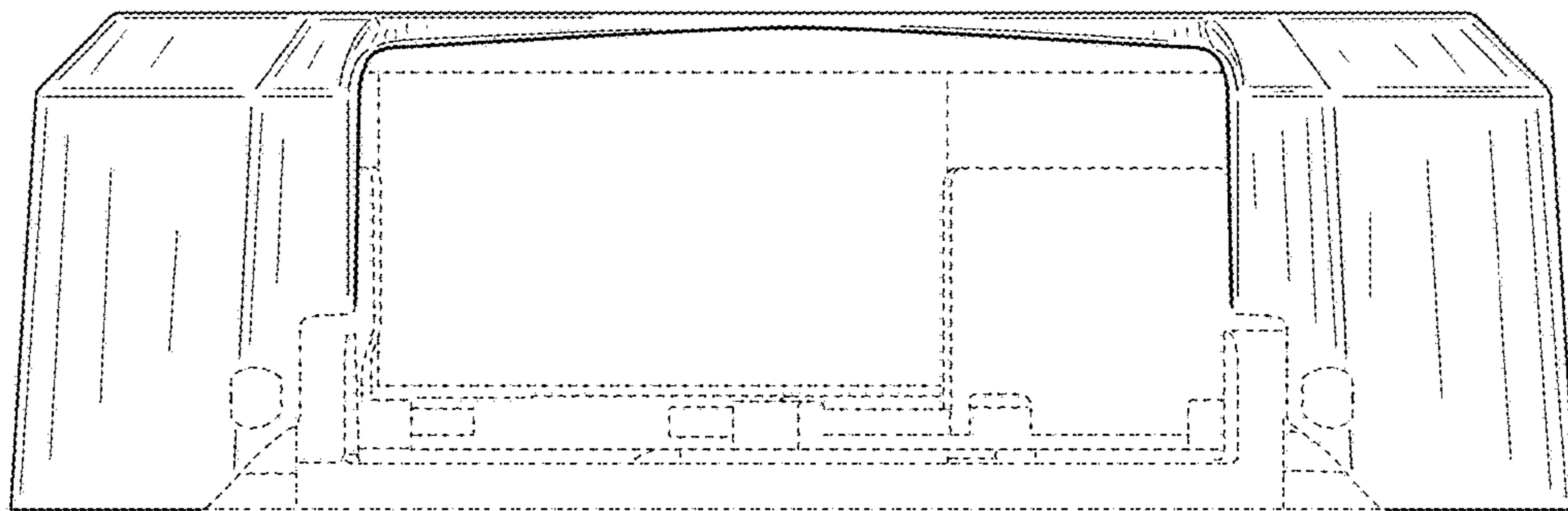


FIG. 7