



US00D818736S

(12) **United States Design Patent** (10) **Patent No.:** **US D818,736 S**
Yang (45) **Date of Patent:** **** May 29, 2018**

(54) **BED FRAME**

(71) Applicant: **Lei Yang**, City of Industry, CA (US)

(72) Inventor: **Lei Yang**, City of Industry, CA (US)

(73) Assignee: **Furniture of America, Inc.**, City of Industry, CA (US)

(**) Term: **15 Years**

(21) Appl. No.: **29/602,833**

(22) Filed: **May 3, 2017**

(51) **LOC (11) Cl.** **06-02**

(52) **U.S. Cl.**
USPC **D6/388**

(58) **Field of Classification Search**
USPC D6/388, 718.27, 719.1
CPC A47D 7/00
See application file for complete search history.

(56) **References Cited**

U.S. PATENT DOCUMENTS

D147,942 S	*	11/1947	Ziegler	472/130
D241,385 S	*	9/1976	Roden	5/100
D284,334 S	*	6/1986	Jao	5/93.1
6,578,214 B2	*	6/2003	Peftoulidis	A47C 17/86 5/2.1
D587,032 S	*	2/2009	Flagg	D6/665
D772,595 S	*	11/2016	Calegari	D6/384

OTHER PUBLICATIONS

Orbiter Collection Space Shuttle bed by Furniture of America, Sears.com, Mar. 15, 2017, site visited Sep. 11, 2017, available online at <http://www.sears.com/furniture-of-america-orbiter-collection-space-shuttle-design/p-SPM14328607019?plpSellerId=AMB> Furniture and Design&prdNo . . . (Year: 2017).*
Millenium Falcon Bed by Pottery Barn, gizmodo.com, Sep. 4, 2015, site visited Sep. 11, 2017, available online at <http://gizmodo.com/crap-it-turns-out-that-pottery-barn-millennium-falcon-1728709887> (Year: 2015).*

* cited by examiner

Primary Examiner — Cathron C Brooks

(74) *Attorney, Agent, or Firm* — Raymond Y. Chan; David and Raymond Patent Firm

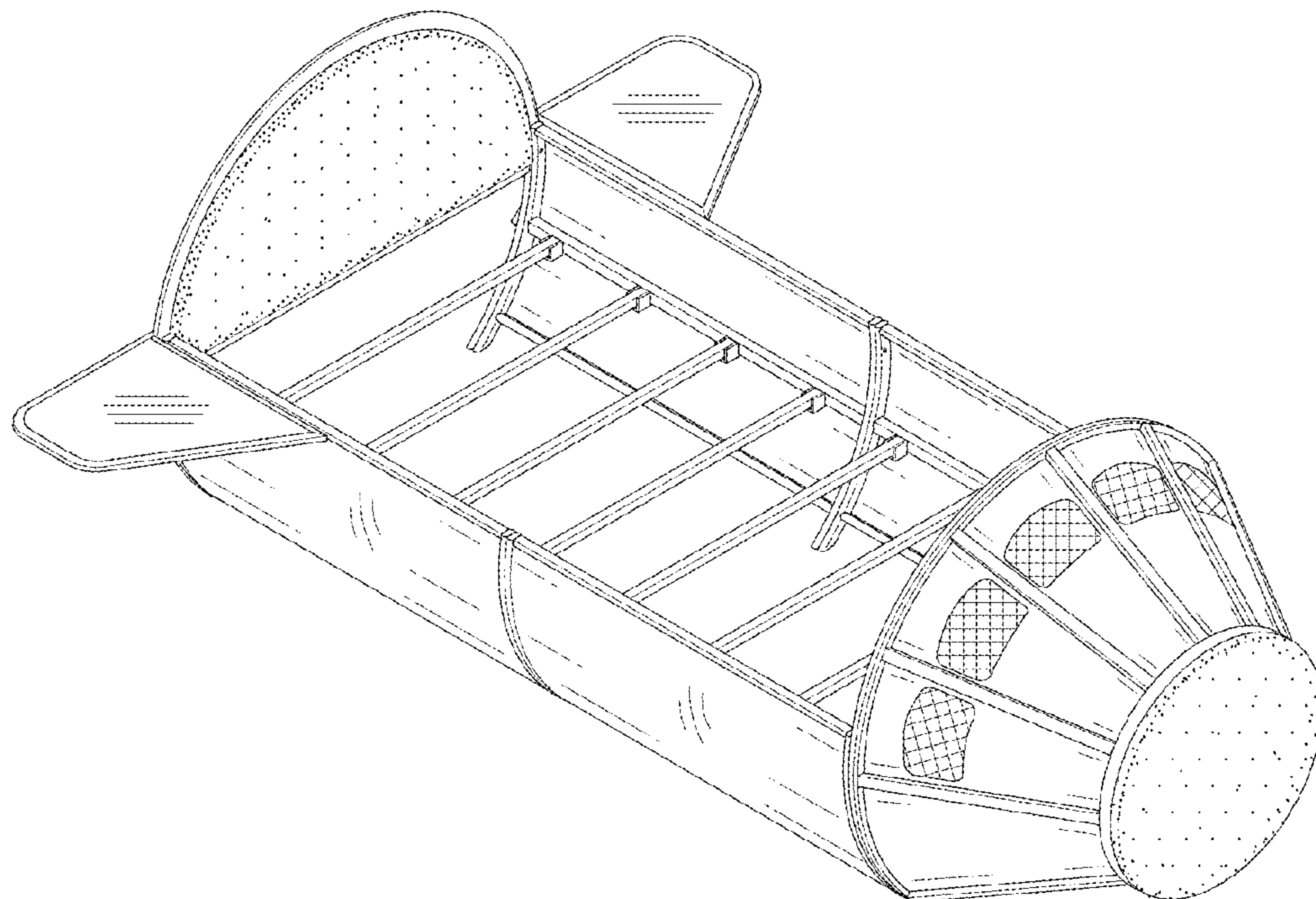
(57) **CLAIM**

The ornamental design for a bed frame, as shown and described.

DESCRIPTION

FIG. 1 is a perspective view of the bed frame showing my new design;
FIG. 2 is a front view of the bed frame;
FIG. 3 is a rear view of the bed frame;
FIG. 4 is a left view of the bed frame;
FIG. 5 is a right view of the bed frame;
FIG. 6 is a top view of the bed frame; and,
FIG. 7 is a bottom view of the bed frame.

1 Claim, 7 Drawing Sheets



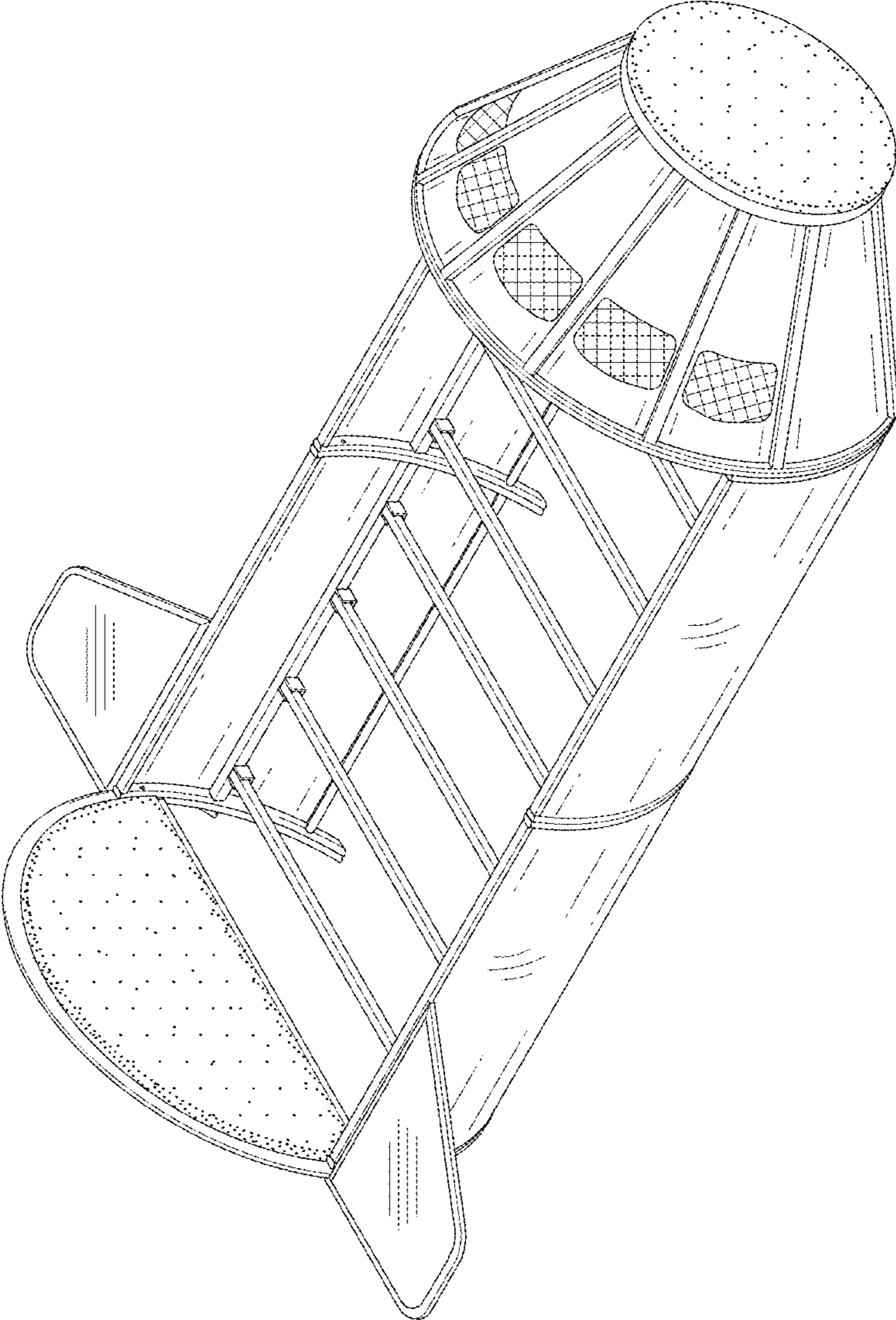


FIG.1

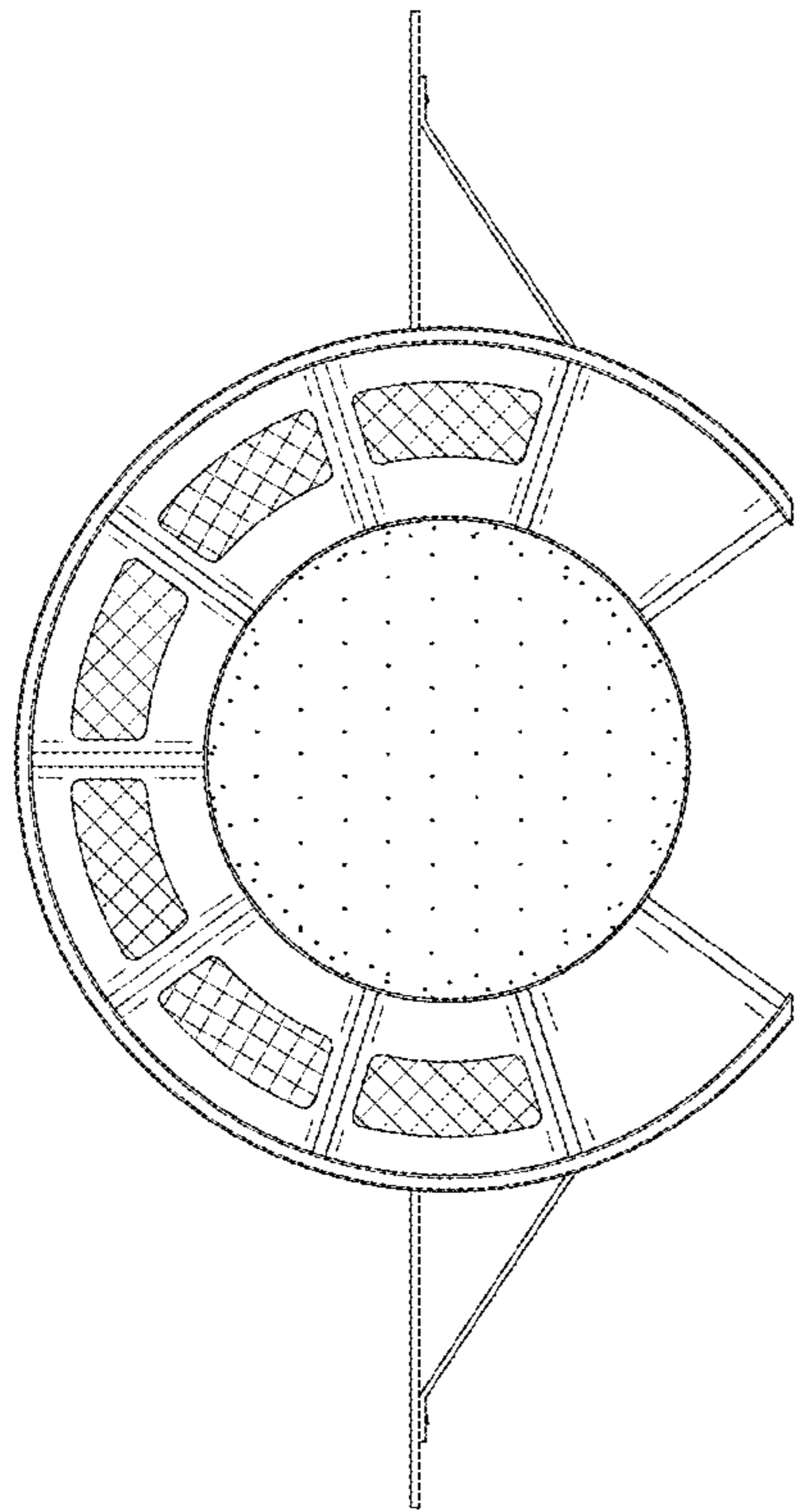


FIG.2

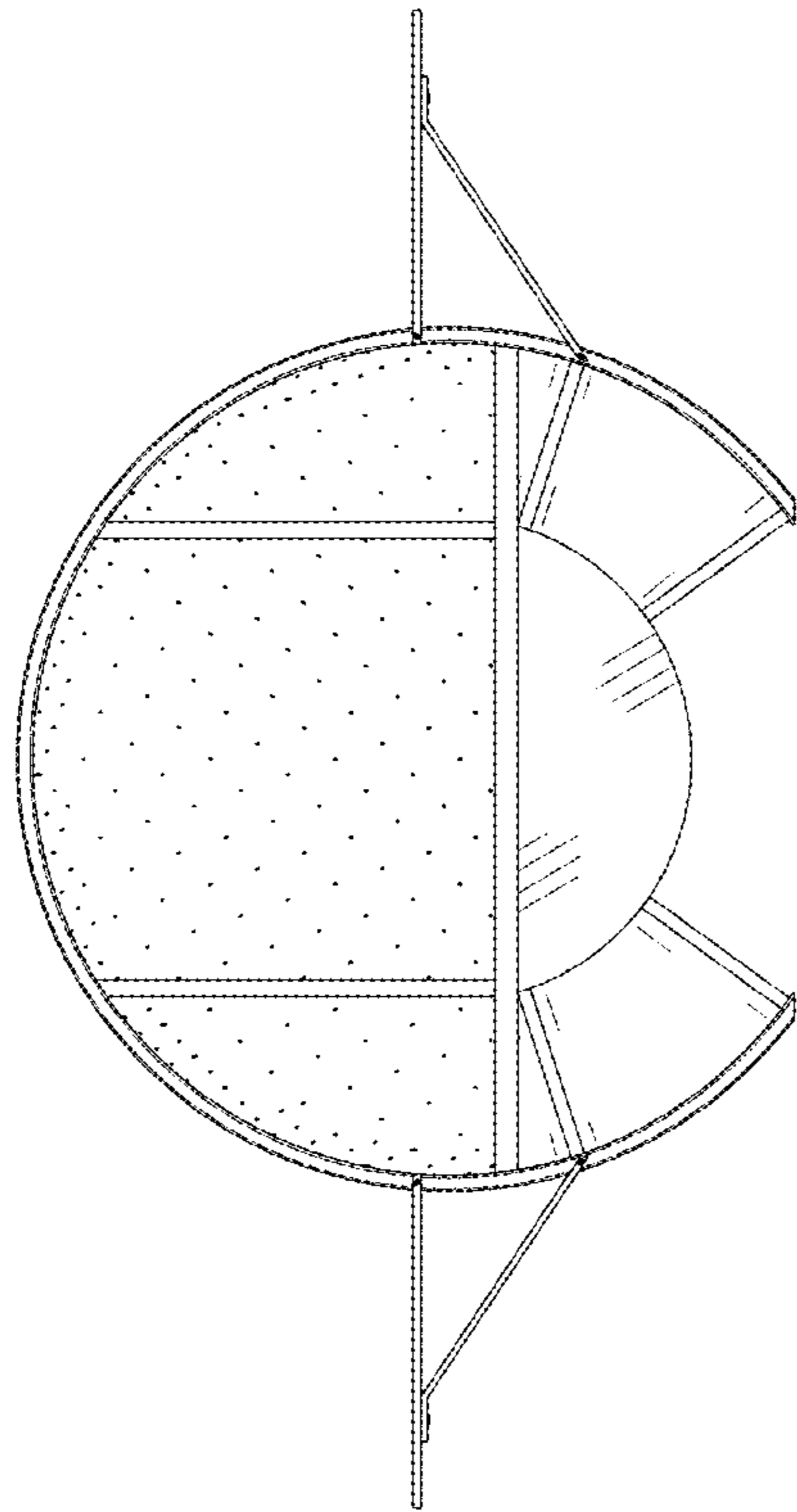


FIG.3

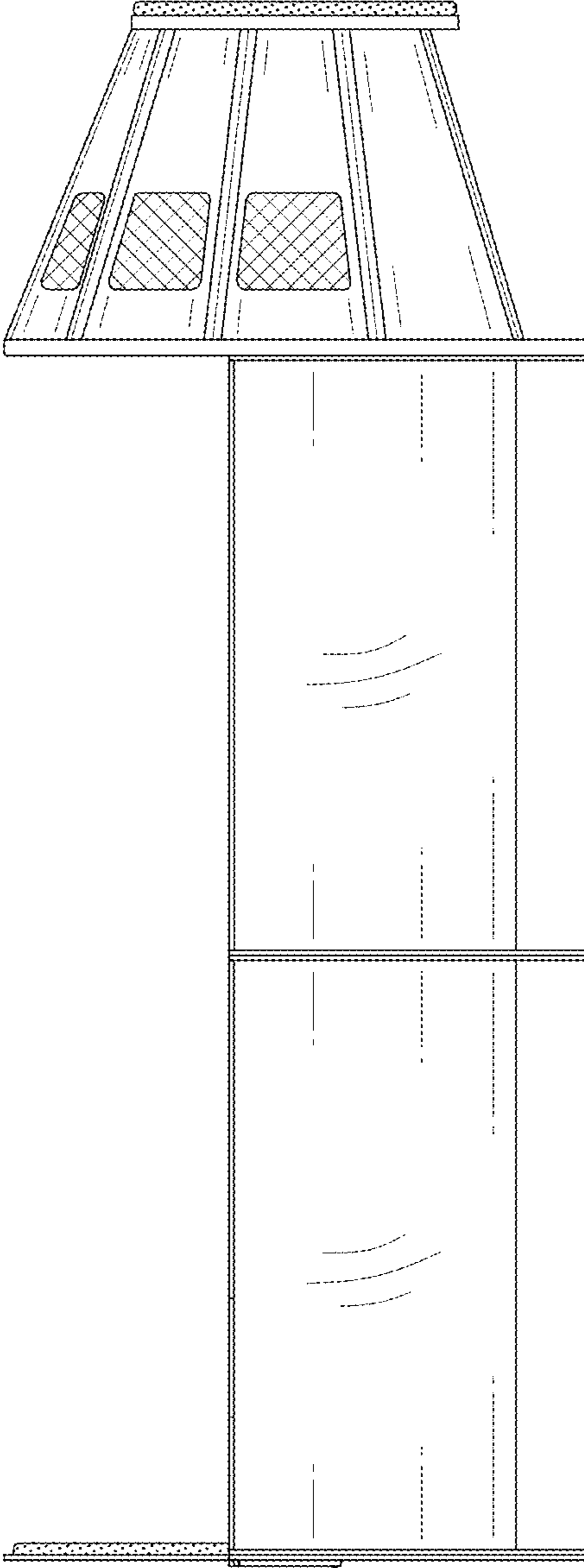


FIG.4

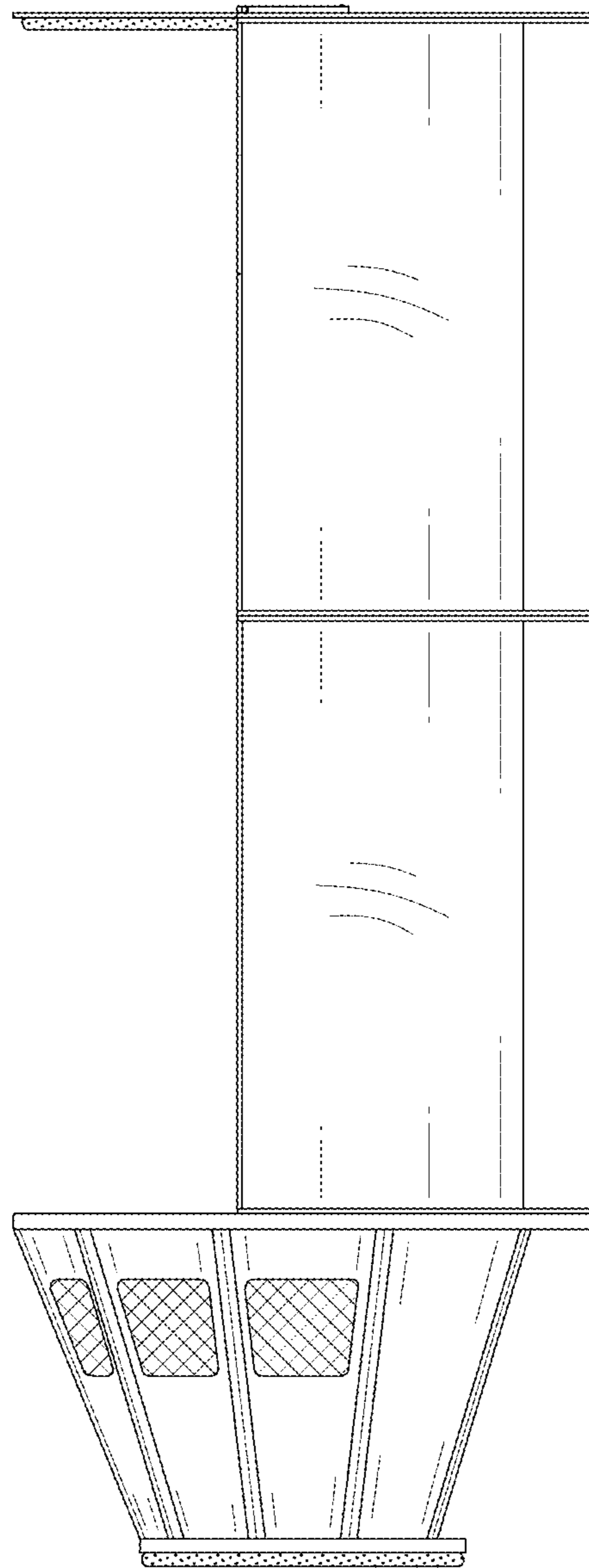


FIG.5

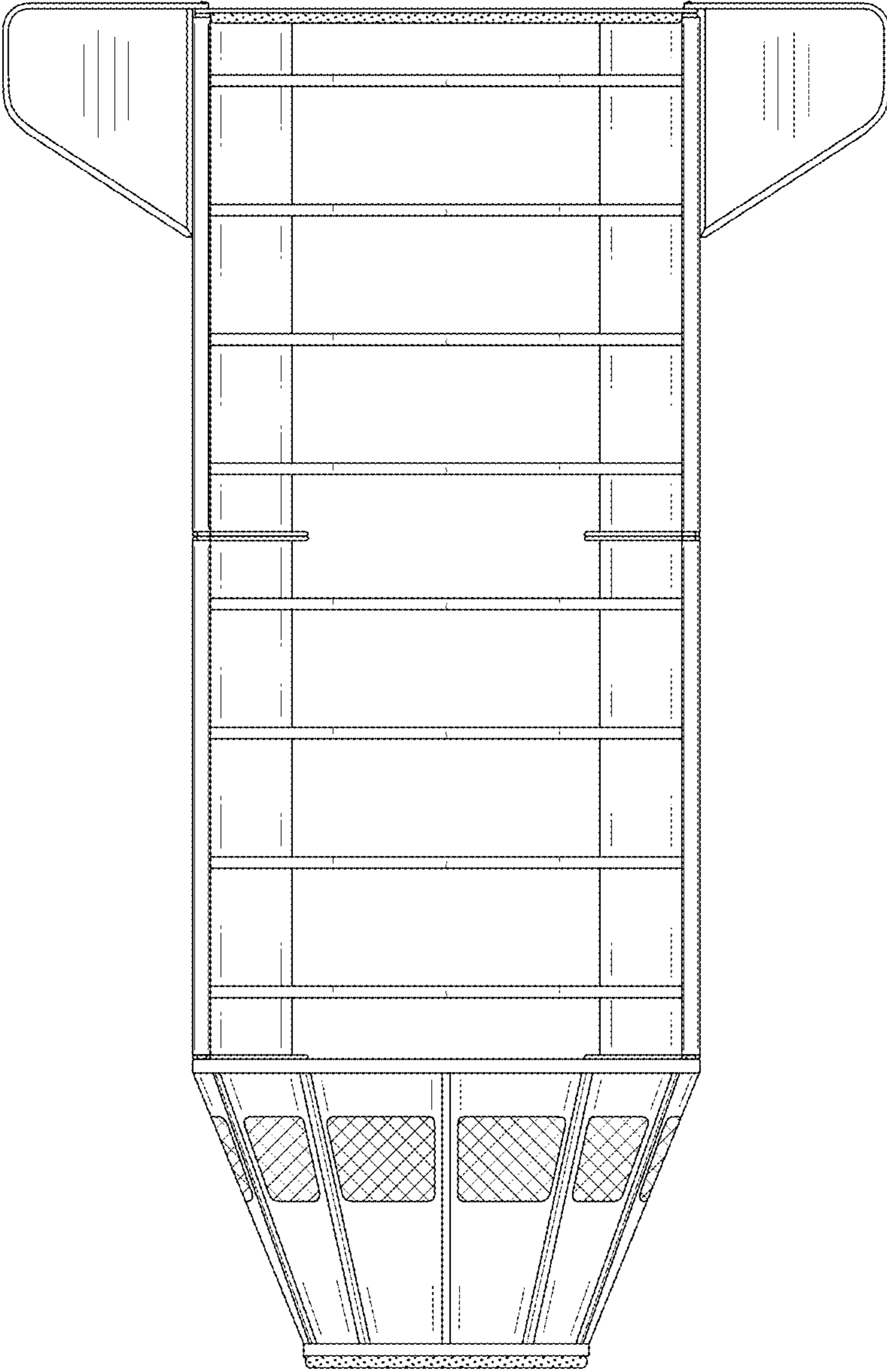


FIG.6

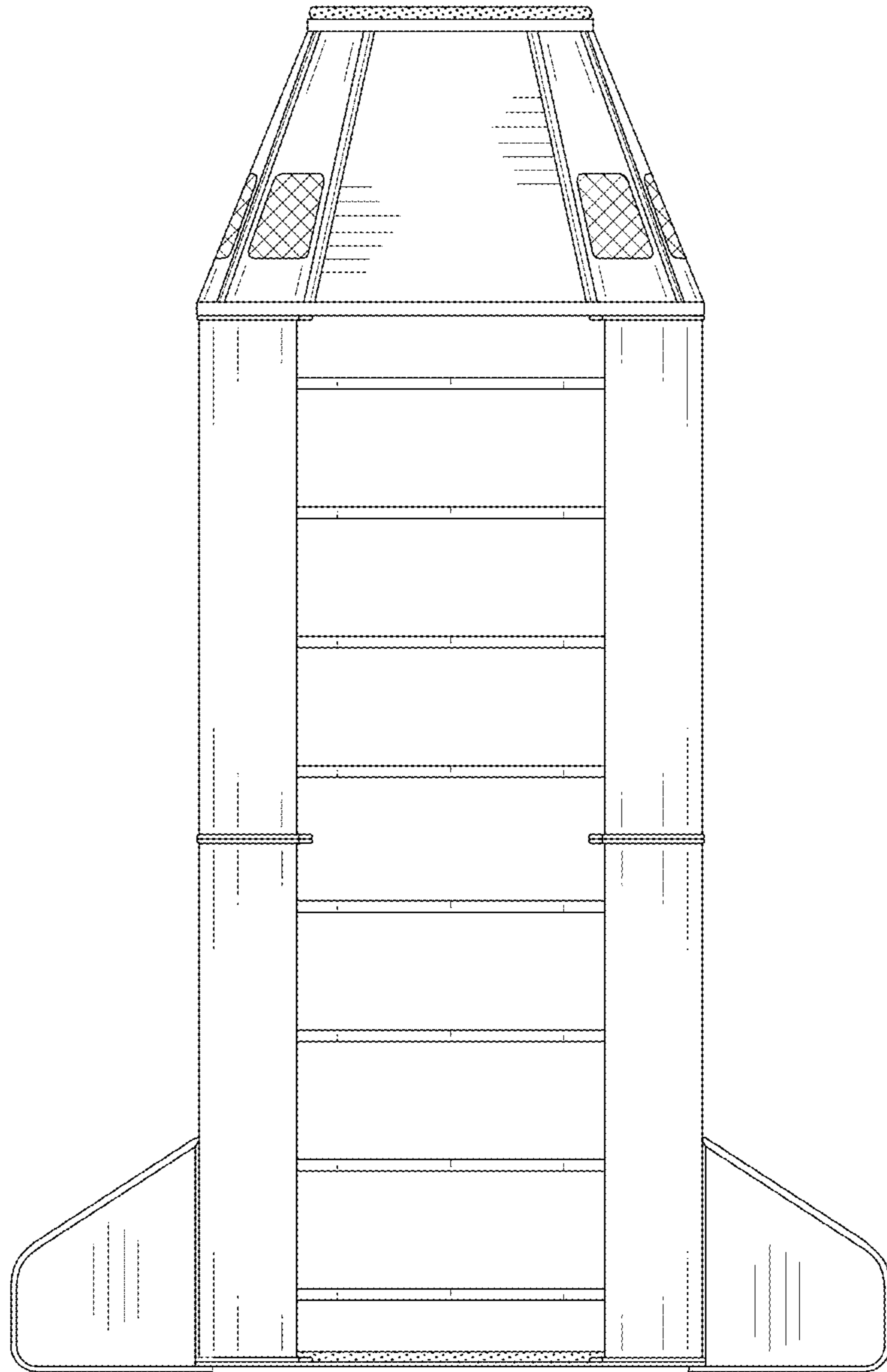


FIG.7