



US00D818735S

(12) **United States Design Patent**  
**Hiyoshi et al.**

(10) **Patent No.:** **US D818,735 S**  
(45) **Date of Patent:** **\*\* May 29, 2018**

- (54) **CONTOURED SEATING ASSEMBLY**
- (71) Applicant: **Steelcase Inc.**, Grand Rapids, MI (US)
- (72) Inventors: **Yuka Hiyoshi**, Grand Rapids, MI (US);  
**Bruce Smith**, East Grand Rapids, MI (US);  
**William Bennie**, Rockford, MI (US);  
**Irfan Kachwalla**, Mid Levels West (HK);  
**James Ludwig**, Grand Rapids, MI (US);  
**Jessica Nebel**, Munich (DE);  
**Santiago Carral O’Gorman**, Grand Rapids, MI (US);  
**Madison Scheper**, Grand Rapids, MI (US)
- (73) Assignee: **Steelcase Inc.**, Grand Rapids, MI (US)
- (\*\*) Term: **15 Years**

- D273,158 S \* 3/1984 Dubbin ..... D6/381
- D284,046 S 6/1986 Staats et al.
- D289,950 S 5/1987 Offredi
- D293,637 S 1/1988 Tallon
- D297,449 S \* 8/1988 Vigil ..... D21/830
- D309,682 S \* 8/1990 Fisher ..... D6/357
- D332,818 S \* 1/1993 Spirk, Jr. .... D21/601
- D352,186 S 11/1994 Torck et al.
- D368,174 S 3/1996 Lewis
- D376,274 S 12/1996 Lewis
- D382,129 S 8/1997 Lewis
- D387,573 S 12/1997 Lewis
- D427,799 S \* 7/2000 Vu ..... D6/357
- D431,381 S 10/2000 Gomez
- D439,071 S 3/2001 D’Urso et al.
- D448,946 S 10/2001 Goetz
- D484,324 S \* 12/2003 Olofson ..... D6/358
- D484,712 S 1/2004 Gomez
- D484,713 S 1/2004 Gomez
- D515,837 S 2/2006 Nicoletti

(Continued)

- (21) Appl. No.: **29/567,492**
- (22) Filed: **Jun. 9, 2016**
- (51) **LOC (11) Cl.** ..... **06-01**
- (52) **U.S. Cl.**  
USPC ..... **D6/381; D6/375; D6/716**
- (58) **Field of Classification Search**  
USPC ..... D6/335, 357, 358, 381; D21/830; D25/2  
CPC ..... A47C 17/00; A47C 17/04; A47C 17/02  
See application file for complete search history.

*Primary Examiner* — Vy N Koenig  
*Assistant Examiner* — Keith J Wilson  
(74) *Attorney, Agent, or Firm* — Brinks Gilson & Lione

(57) **CLAIM**

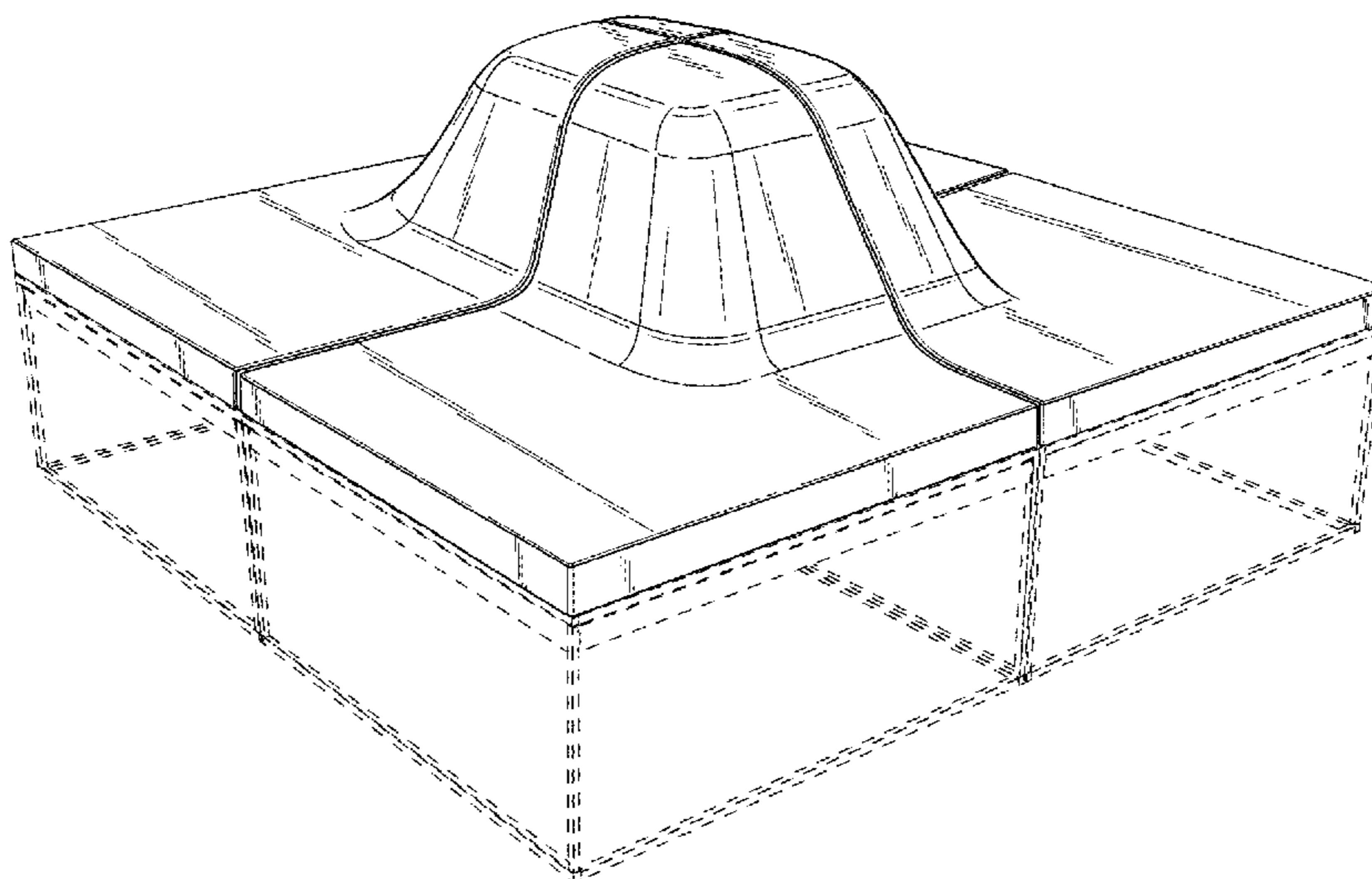
We claim the ornamental design for a contoured seating assembly, as shown and described.

**DESCRIPTION**

FIG. 1 is a top perspective view of a contoured seating assembly of the present invention, where a top rear perspective view is identical thereto;  
FIG. 2 is a top plan view thereof;  
FIG. 3 is a rear elevation view thereof;  
FIG. 4 is a left side elevation view thereof  
FIG. 5 is a front elevation view thereof; and,  
FIG. 6 is a right side elevation view thereof.  
The broken lines depict portions of the contoured seating assembly that form no part of the claimed design.

- (56) **References Cited**  
U.S. PATENT DOCUMENTS  
61,610 A 1/1867 Cutter  
D39,265 S \* 4/1908 Holtzclaw ..... 297/244  
936,451 A 10/1909 Havenhill  
D67,896 S \* 7/1925 Larsen ..... D6/349  
D99,959 S 6/1936 Nathan  
D150,721 S \* 8/1948 Modarelli ..... D6/357  
D203,817 S \* 2/1966 Burke ..... 297/244  
3,498,654 A 3/1970 Diaz et al.  
D252,484 S 7/1979 Petersilie

**1 Claim, 4 Drawing Sheets**



(56)

**References Cited**

U.S. PATENT DOCUMENTS

|              |         |                    |        |
|--------------|---------|--------------------|--------|
| D519,743 S   | 5/2006  | Suzuki et al.      |        |
| D532,209 S * | 11/2006 | Rodis .....        | D6/335 |
| D548,985 S * | 8/2007  | Zakas .....        | D6/335 |
| D561,909 S * | 2/2008  | Maguire .....      | D25/2  |
| D563,112 S * | 3/2008  | Swanson .....      | D6/381 |
| D567,527 S   | 4/2008  | Galardo            |        |
| D576,820 S   | 9/2008  | Priestman          |        |
| D577,924 S   | 10/2008 | van Ierssel et al. |        |
| D577,926 S   | 10/2008 | Marin et al.       |        |
| D583,578 S * | 12/2008 | Swanson .....      | D6/355 |
| D589,714 S   | 4/2009  | Cazares et al.     |        |
| D602,705 S   | 10/2009 | Holbrook           |        |
| D643,643 S   | 8/2011  | Lievore            |        |
| D681,361 S   | 5/2013  | Silver et al.      |        |
| D682,575 S   | 5/2013  | Versace            |        |
| D695,035 S   | 12/2013 | Ciani et al.       |        |
| D698,172 S   | 1/2014  | Ciani et al.       |        |
| D712,173 S   | 9/2014  | Ciani et al.       |        |
| D712,674 S   | 9/2014  | Ciani et al.       |        |
| D722,443 S * | 2/2015  | Baraldi .....      | D6/335 |
| D743,726 S   | 11/2015 | Yeh                |        |

\* cited by examiner

Fig. 1

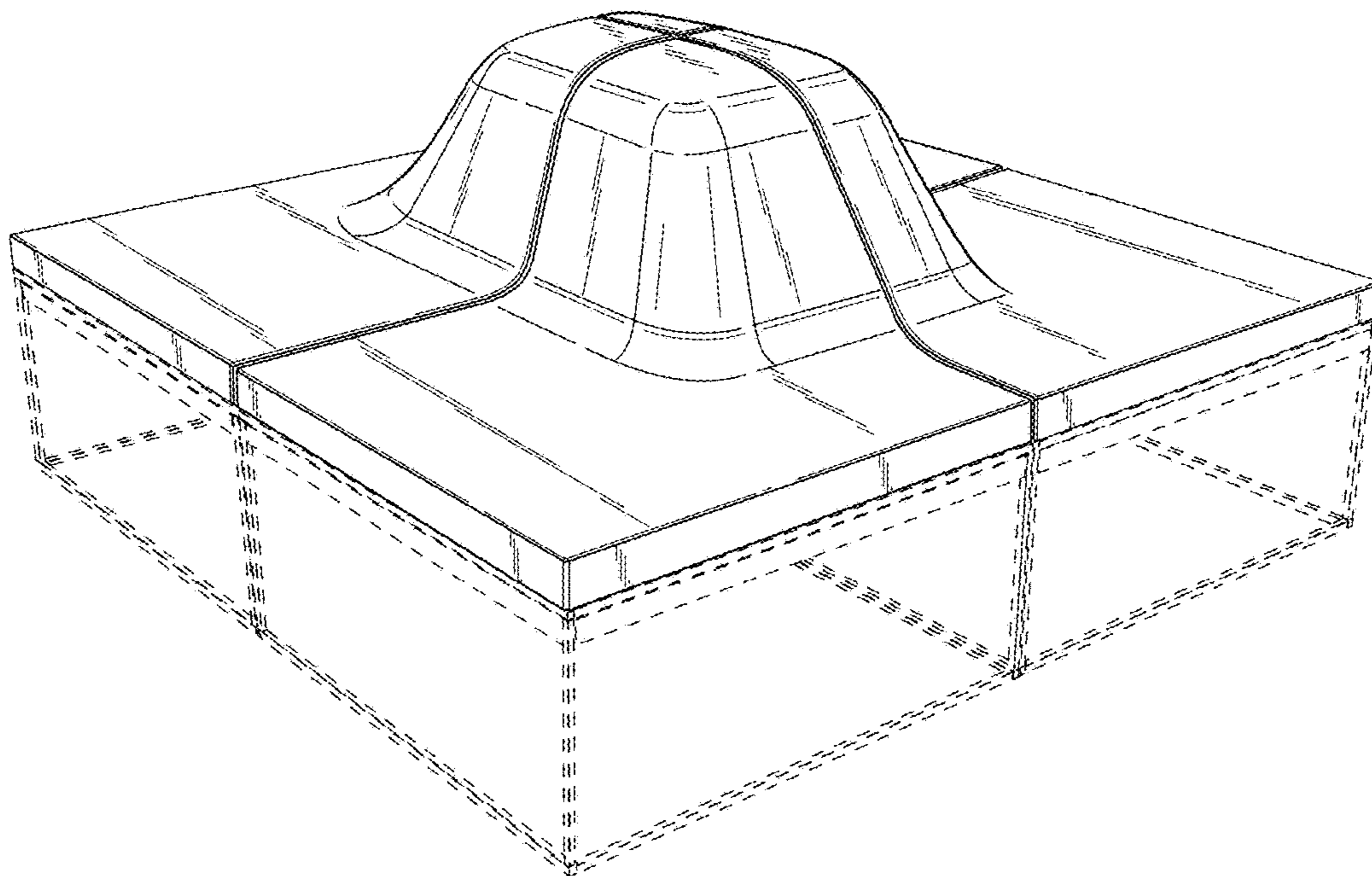


Fig. 2

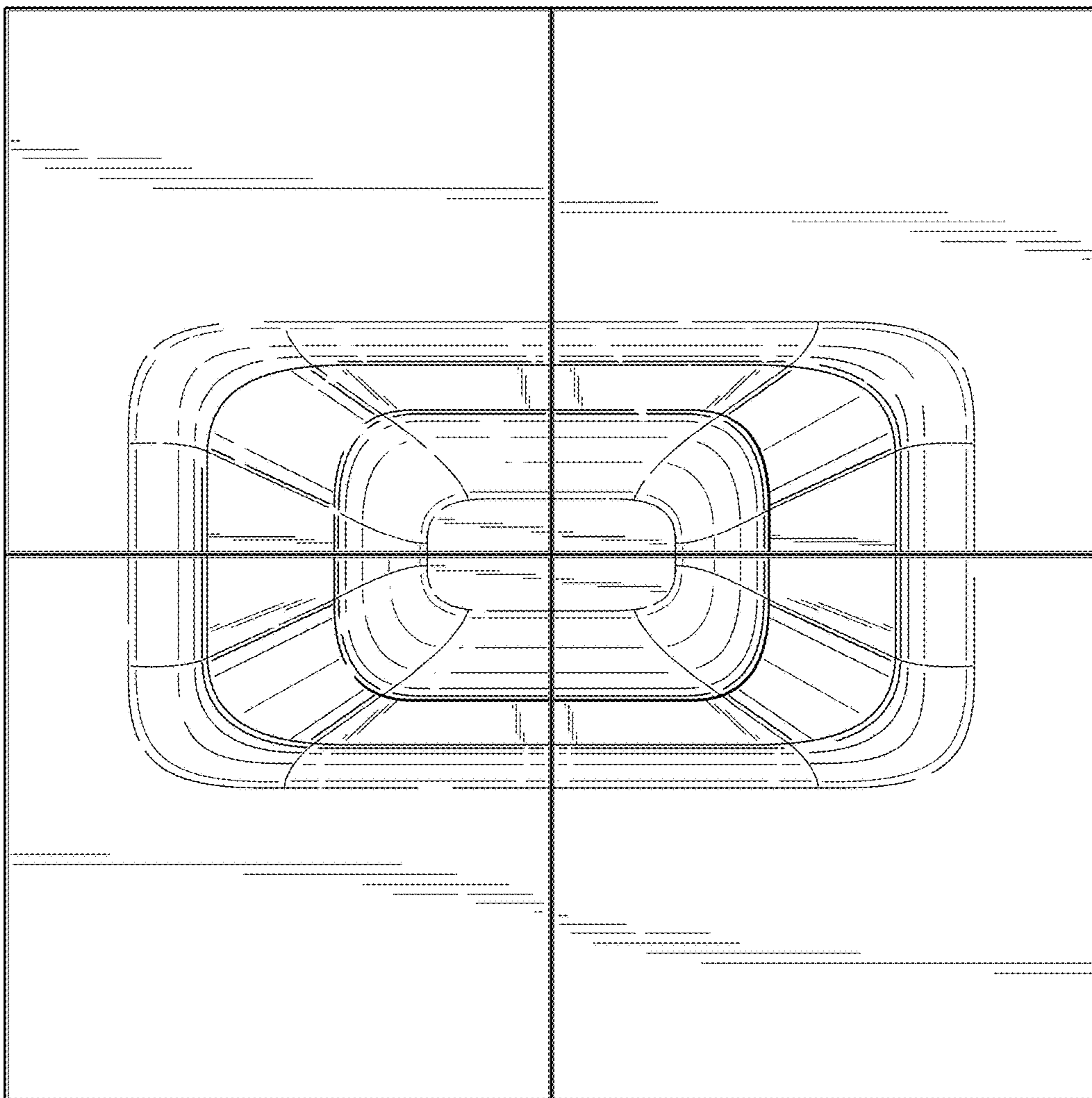


Fig. 3

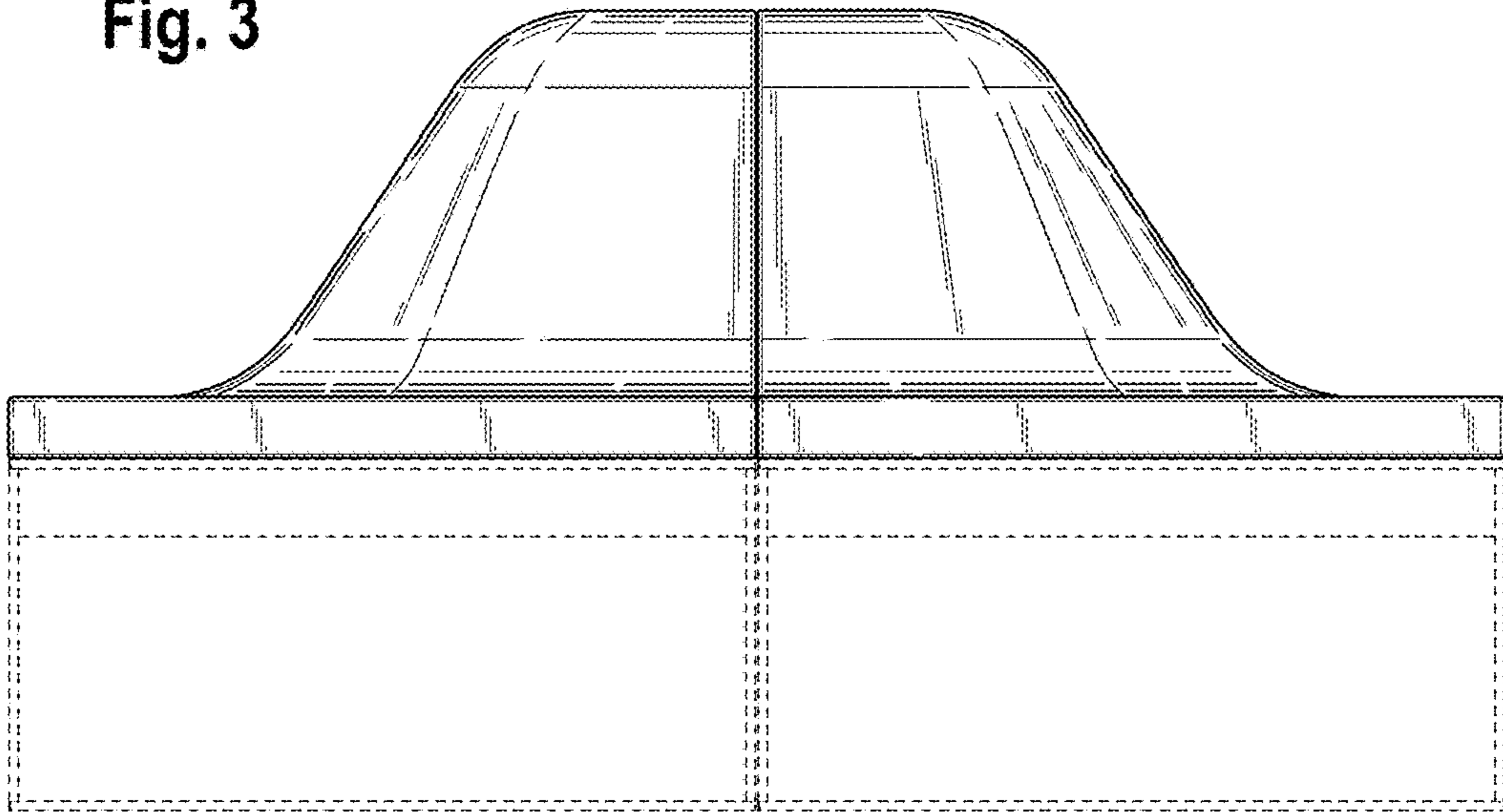


Fig. 4

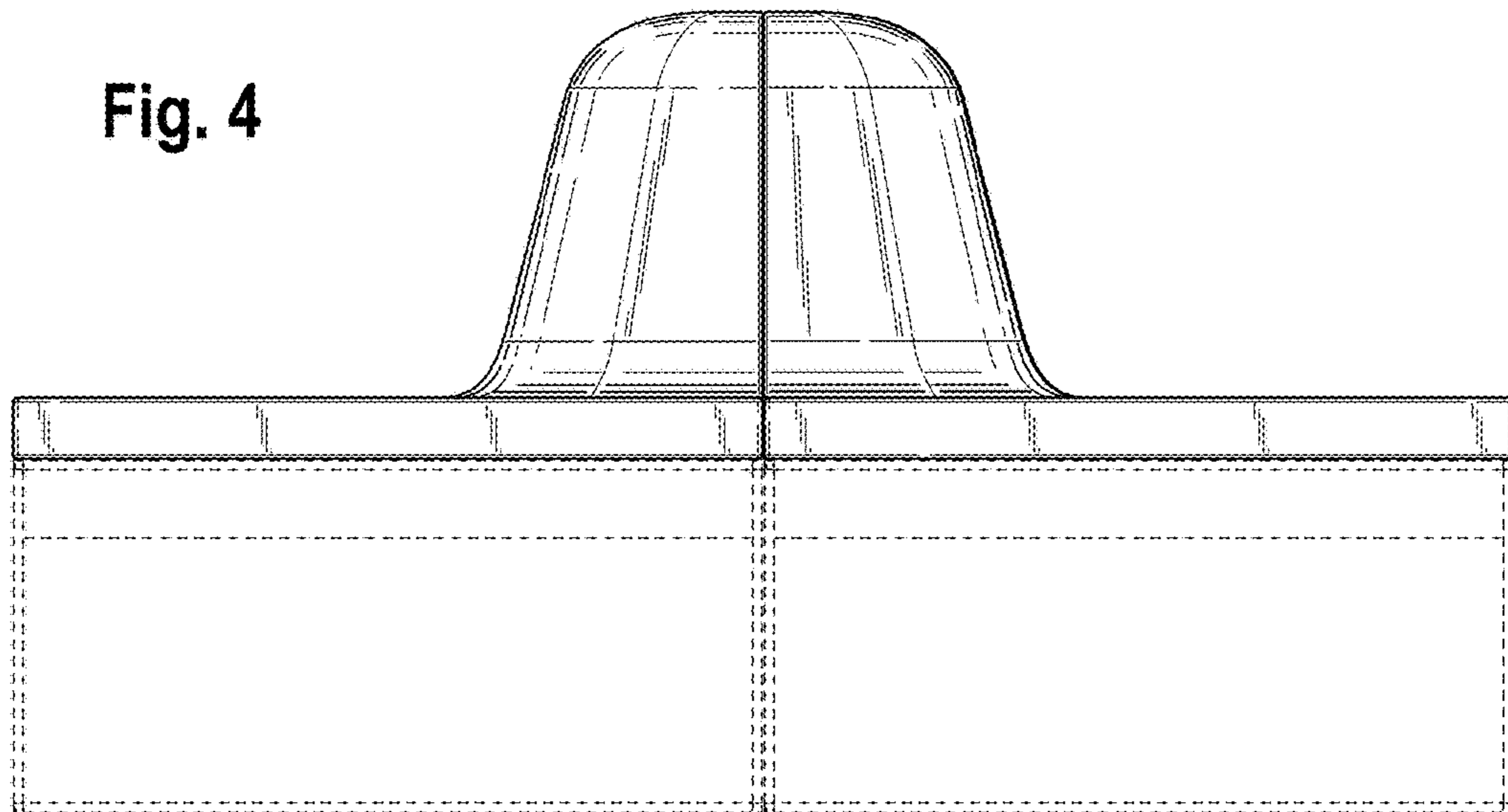


Fig. 5

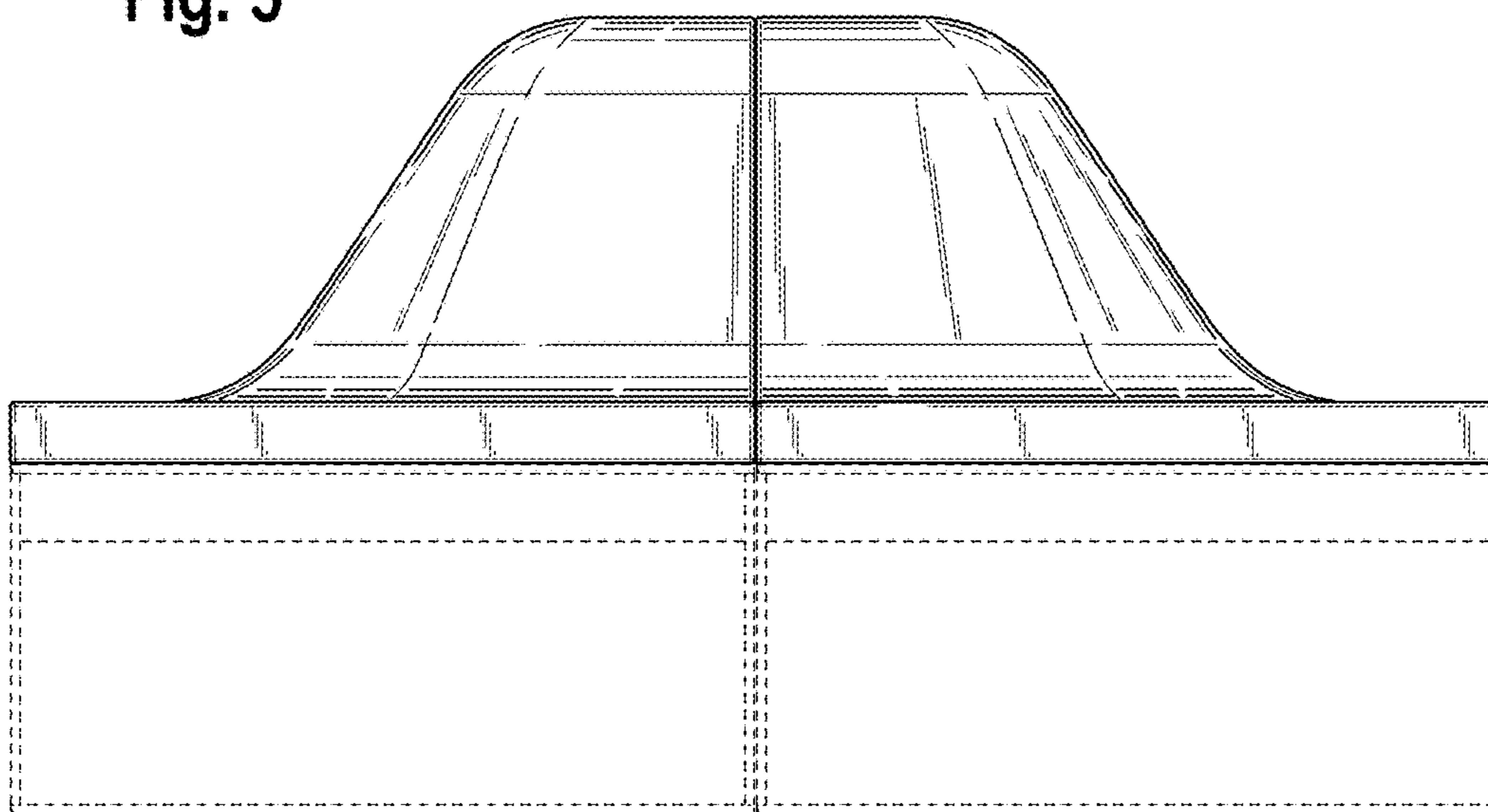


Fig. 6

