



US00D818734S

(12) **United States Design Patent** (10) **Patent No.:** **US D818,734 S**  
**Yang** (45) **Date of Patent:** **\*\* May 29, 2018**

(54) **BENCH**  
(71) Applicant: **Lei Yang**, City of Industry, CA (US)  
(72) Inventor: **Lei Yang**, City of Industry, CA (US)  
(73) Assignee: **Import Direct Inc.**, City of Industry, CA (US)  
(\*\*) Term: **15 Years**  
(21) Appl. No.: **29/556,383**  
(22) Filed: **Feb. 29, 2016**  
(51) **LOC (11) Cl.** ..... **06-01**  
(52) **U.S. Cl.**  
USPC ..... **D6/381**  
(58) **Field of Classification Search**  
USPC ... D6/329, 334, 349, 374, 375, 381, 718.13, D6/718.23  
CPC ..... A47C 13/00; A47C 13/005; A47C 11/00  
See application file for complete search history.

D498,064 S \* 11/2004 Gomez ..... D6/334  
D526,803 S \* 8/2006 Lee ..... D6/381  
D527,196 S \* 8/2006 Antonioni ..... D6/381  
D528,834 S \* 9/2006 Schmitt ..... D6/381  
D532,616 S \* 11/2006 Auberger ..... D6/334  
D540,562 S \* 4/2007 Muller ..... D6/381  
D544,231 S \* 6/2007 Boutin ..... D6/375  
D566,980 S \* 4/2008 Mourgue ..... D6/381  
7,360,260 B2 \* 4/2008 Gallawa ..... A47B 83/04  
108/134  
D569,112 S \* 5/2008 Swanson ..... D6/334  
D573,358 S \* 7/2008 Gharabegian ..... D6/334  
D585,200 S \* 1/2009 Lissoni ..... D6/334  
D587,918 S \* 3/2009 Bergman ..... D6/381  
D593,336 S \* 6/2009 Ciani ..... D6/374  
D609,034 S \* 2/2010 Lissoni ..... D6/716  
D614,876 S \* 5/2010 Metcalf ..... D6/349

(Continued)

*Primary Examiner* — Deanna L Pratt  
(74) *Attorney, Agent, or Firm* — Raymond Y. Chan;  
David and Raymond Patent Firm

(57) **CLAIM**

The ornamental design for a bench, as shown and described.

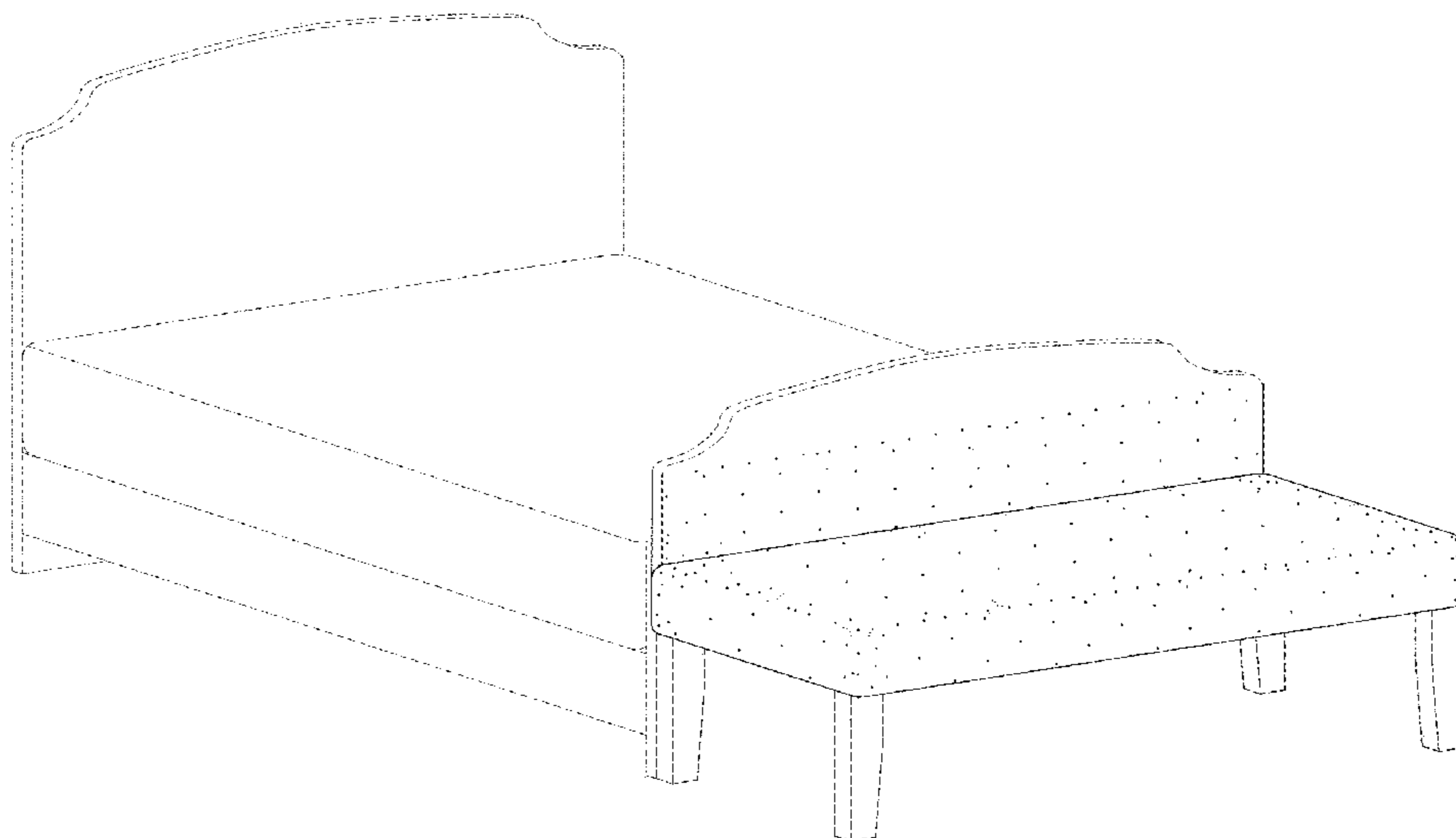
**DESCRIPTION**

FIG. 1 is a perspective view of the bench of my new design.  
FIG. 2 is a front view of the bench.  
FIG. 3 is a rear view of the bench.  
FIG. 4 is a right view of the bench.  
FIG. 5 is a left view of the bench.  
FIG. 6 is a top view of the bench.  
FIG. 7 is a bottom view of the bench; and,  
FIG. 8 is a perspective view of the bench serving as a bedroom bench, wherein a back frame of the bench matches with a headboard of a bed frame.  
The broken line portion of the figure drawings is included to show unclaimed subject matter only and forms no part of the claimed design.

**1 Claim, 8 Drawing Sheets**

(56) **References Cited**  
U.S. PATENT DOCUMENTS

D141,774 S \* 7/1945 Belz ..... 297/445.1  
D175,877 S \* 10/1955 Bartolucci ..... D6/381  
3,093,410 A \* 6/1963 Wilson ..... A47C 15/002  
297/119  
D202,339 S \* 9/1965 McRee ..... D6/336  
D237,329 S \* 10/1975 Pehlheim am  
Kaunzberg ..... D6/372  
D259,601 S \* 6/1981 Marks ..... D6/334  
D307,219 S \* 4/1990 Provencher ..... D6/362  
D335,964 S \* 6/1993 Diaz-Azcuy ..... D6/349  
D352,179 S \* 11/1994 Lowman ..... D6/334  
D401,074 S \* 11/1998 Hutton ..... D6/334  
D442,374 S \* 5/2001 Hutton ..... D6/334  
D448,942 S \* 10/2001 Mourgue ..... D6/334  
D455,282 S \* 4/2002 Andersen ..... D6/335  
D483,189 S \* 12/2003 Cronk ..... D6/334



(56)

**References Cited**

U.S. PATENT DOCUMENTS

D618,935 S \* 7/2010 Metcalf ..... D6/349  
D661,918 S \* 6/2012 Ciani ..... D6/375  
D717,552 S \* 11/2014 Baraldi ..... D6/334  
D742,134 S \* 11/2015 Miller ..... D6/381  
2017/0042337 A1\* 2/2017 Yang ..... A47C 19/22  
2017/0055716 A1\* 3/2017 Yang ..... A47C 19/22

\* cited by examiner

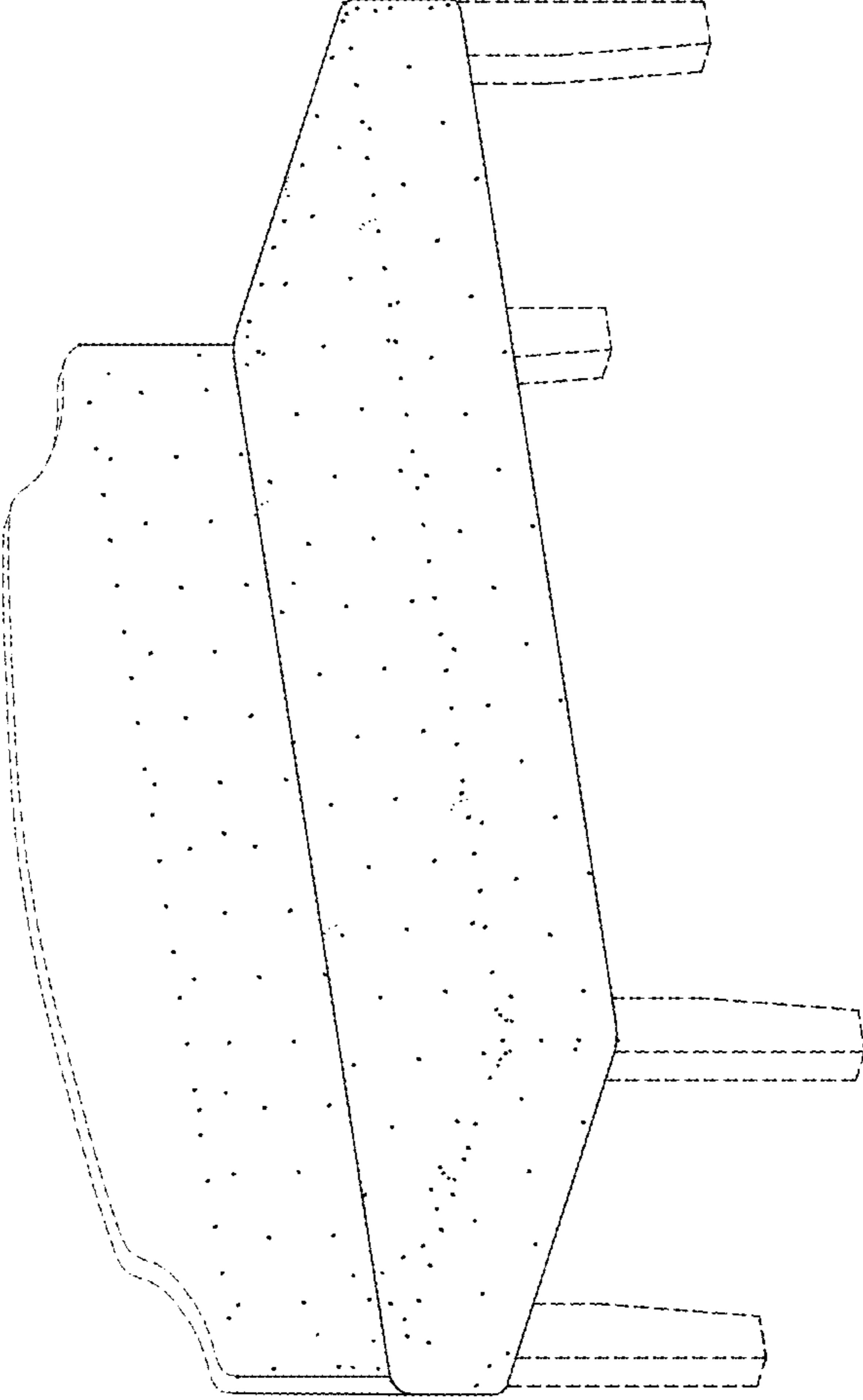


FIG.1

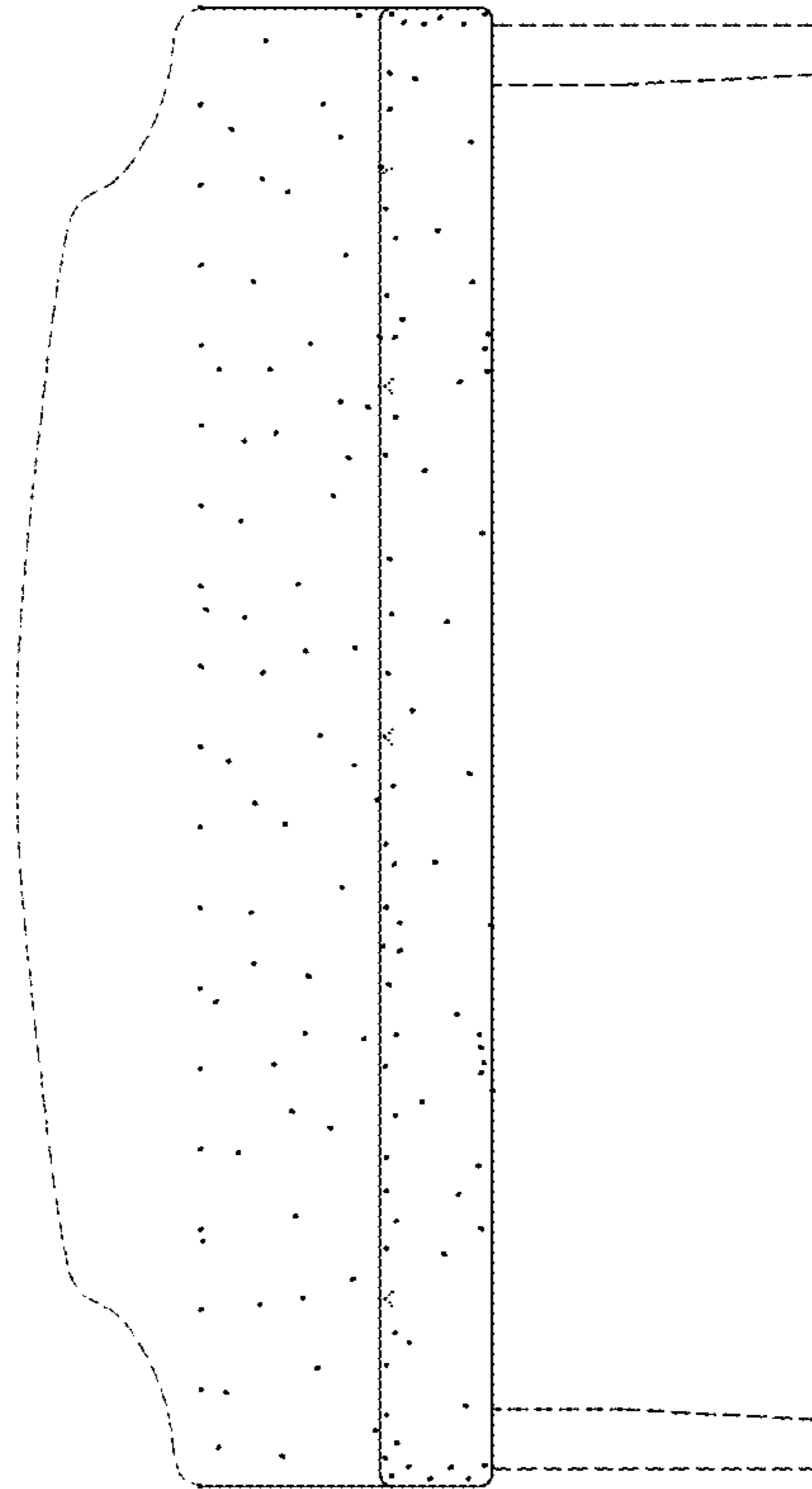


FIG.2

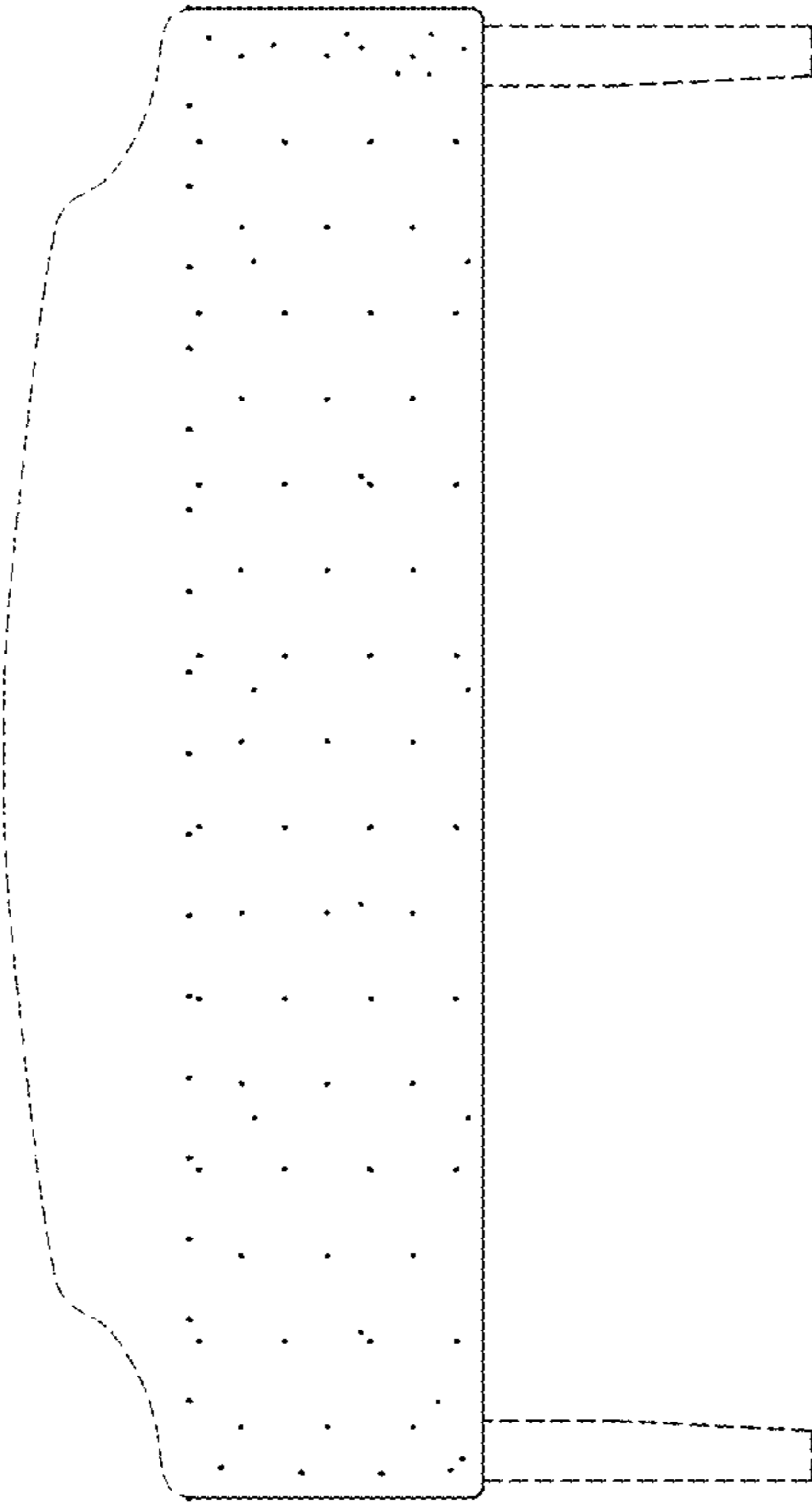


FIG.3

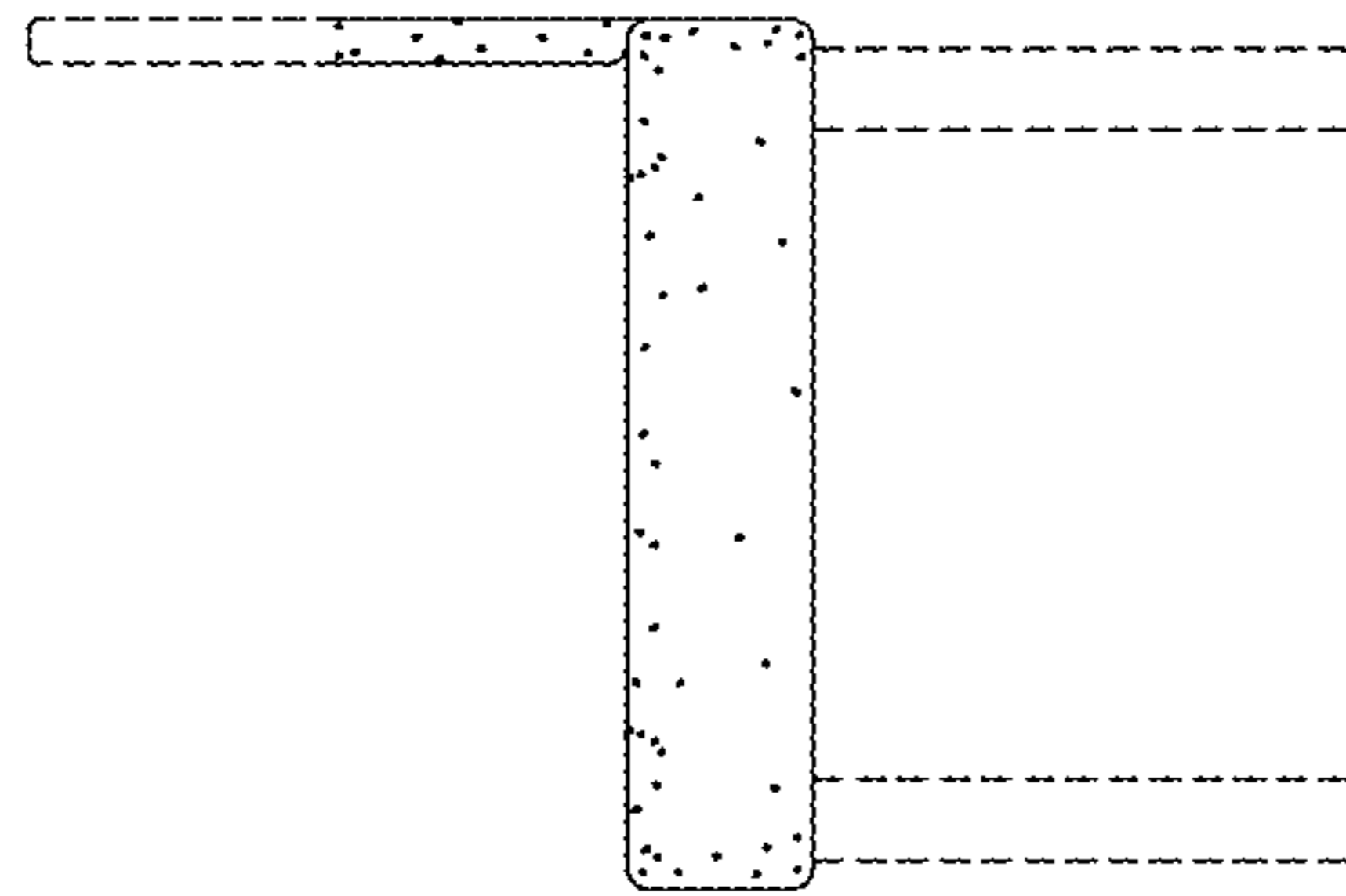


FIG.4

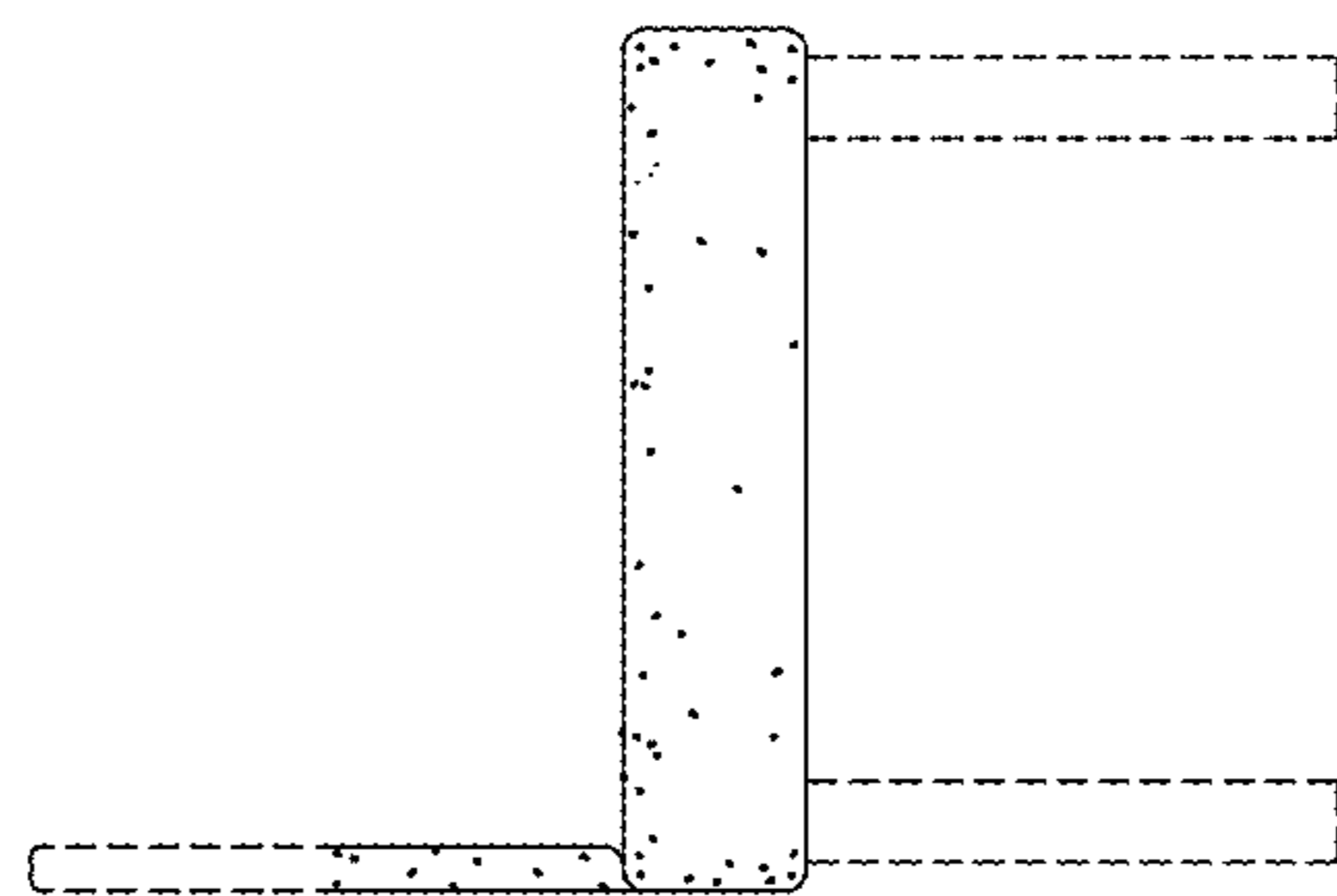


FIG.5

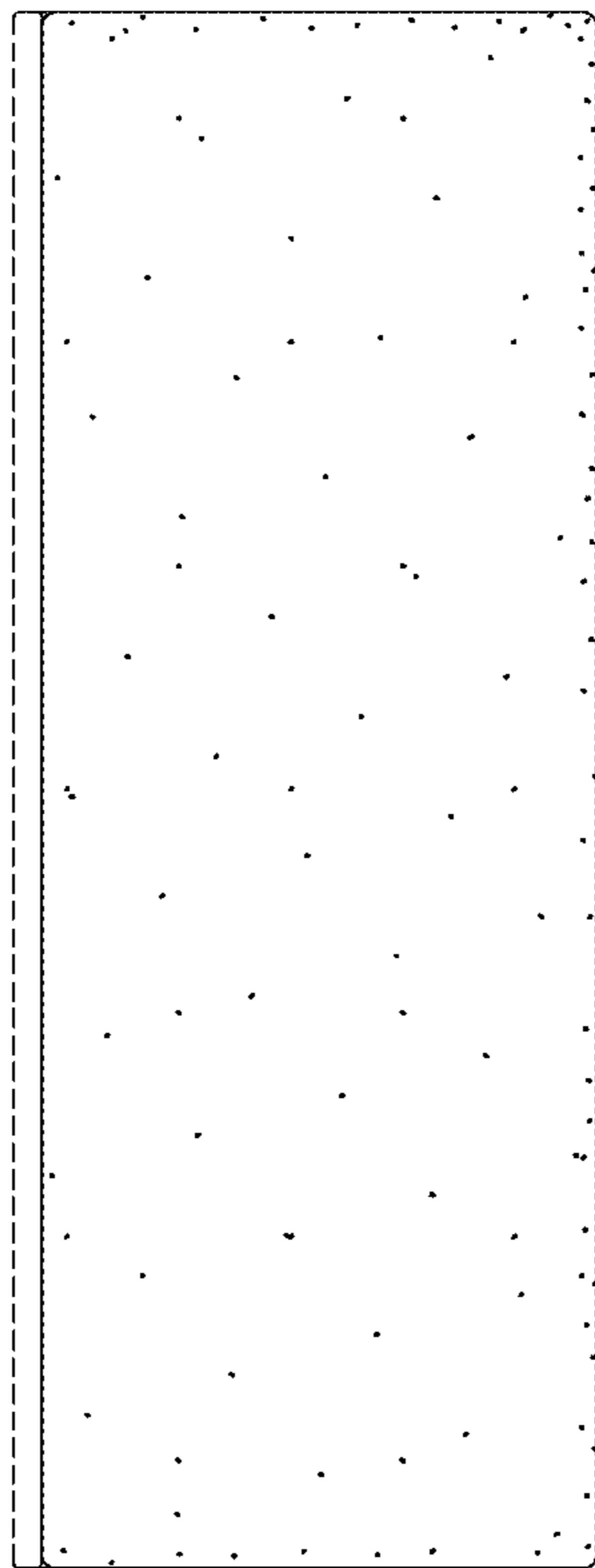


FIG.6



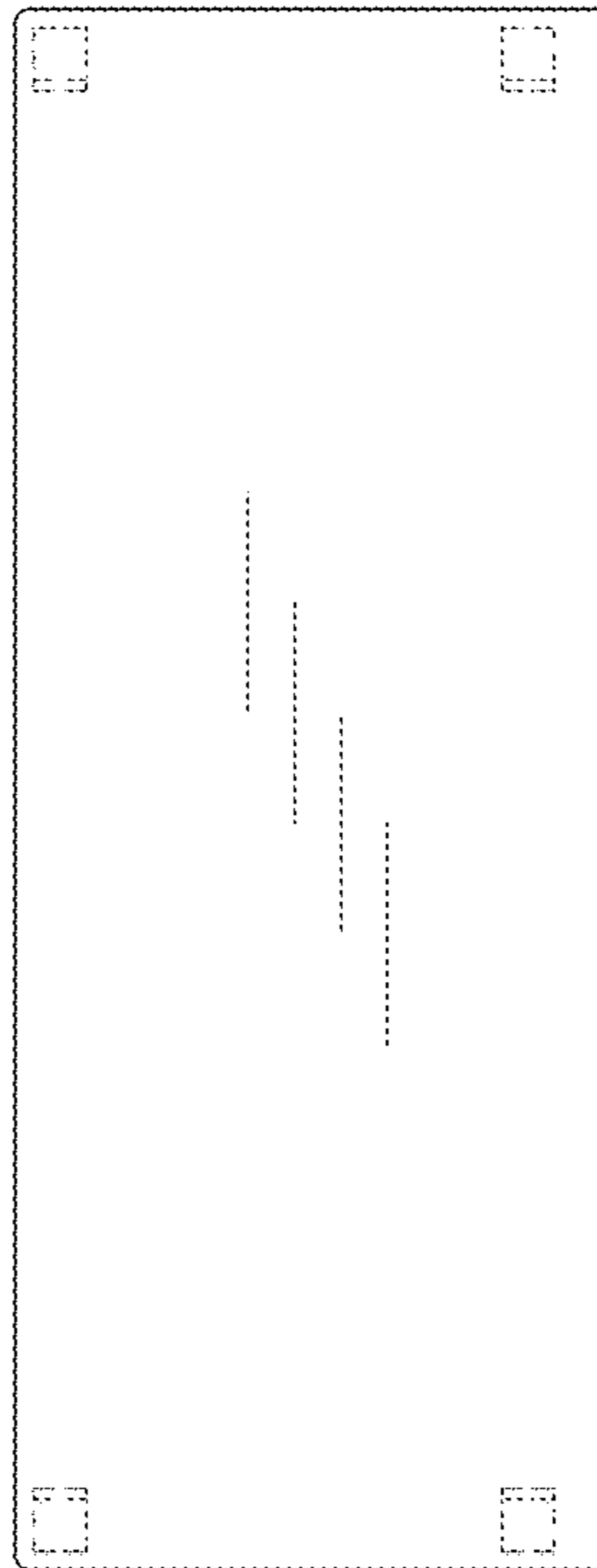


FIG. 7

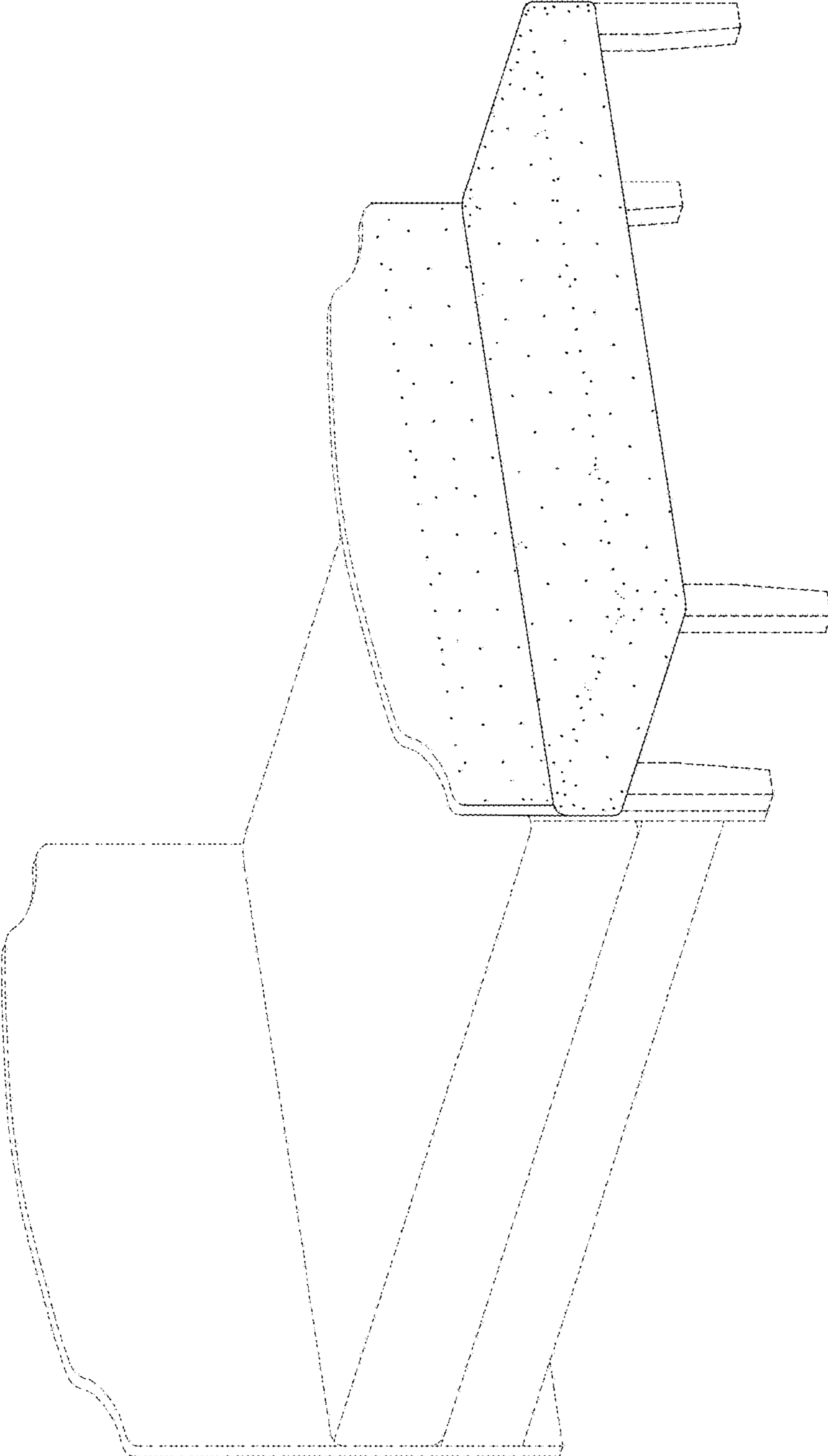


FIG.8