



US00D818732S

(12) **United States Design Patent** (10) **Patent No.:** **US D818,732 S**
Grabowski et al. (45) **Date of Patent:** **** May 29, 2018**

(54) **CHAIR SHELL**

(71) Applicant: **Paragon Furniture, Inc.**, Arlington, TX (US)

(72) Inventors: **Daniel Grabowski**, East Grand Rapids, MI (US); **Michael J. Sawadski**, Mount Prospect, IL (US); **Chris Brandel**, Chicago, IL (US); **Matthew Banach**, Gurnee, IL (US); **Dan Rucker**, Chicago, IL (US)

(73) Assignee: **Paragon Furniture, Inc.**, Arlington, TX (US)

(**) Term: **15 Years**

(21) Appl. No.: **29/551,393**

(22) Filed: **Jan. 13, 2016**

(51) **LOC (11) Cl.** **06-01**

(52) **U.S. Cl.**
USPC **D6/375**

(58) **Field of Classification Search**
USPC D6/336, 366, 367, 368, 374, 601, 611, D6/708.21, 716.1, 716.2, 716.3, 716.5, D6/354, 375, 356, 335, 348, 372, 376, D6/373, 334, 716, 361, 365, 339, 333, D6/716.4; D21/488, 521, 577, 621
CPC .. A47C 7/022; A47C 7/18; A47C 7/40; A47C 7/383; B60N 2/22; B60N 2/48; B60N 2/66; B60N 2/449; B60N 2/4882; B60N 2/067; B60N 2/0715

See application file for complete search history.

(56) **References Cited**

U.S. PATENT DOCUMENTS

4,088,367 A 5/1978 Atkinson et al.
D289,120 S 4/1987 Chadwick et al.
4,852,944 A 8/1989 Hartmann
D362,879 S * 10/1995 Jensen D21/621
D390,024 S 2/1998 DeJule

5,810,438 A 9/1998 Newhouse
5,860,697 A 1/1999 Fewchuk
D405,660 S * 2/1999 Hansen D7/688
6,003,948 A 12/1999 Holbrook
D426,973 S 6/2000 Risdall
D427,444 S 7/2000 Risdall
6,116,692 A 9/2000 Tarnay et al.
D442,792 S 5/2001 Martin
6,250,718 B1 6/2001 Newhouse et al.

(Continued)

OTHER PUBLICATIONS

Smiley Face Bench as shown on wikimedia.org [online], Published on Sep. 5, 2011 [retrieved on Feb. 17, 2017]. Retrieved from the internet <URL: https://commons.wikimedia.org/wiki/File:Smiley_Face_bench.jpg>*

(Continued)

Primary Examiner — Kevin K Rudzinski

Assistant Examiner — Paul D Bohannon

(74) *Attorney, Agent, or Firm* — Ferguson Braswell
Fraser Kubasta PC; Elizabeth Philip Dahm; Kelly J. Kubasta

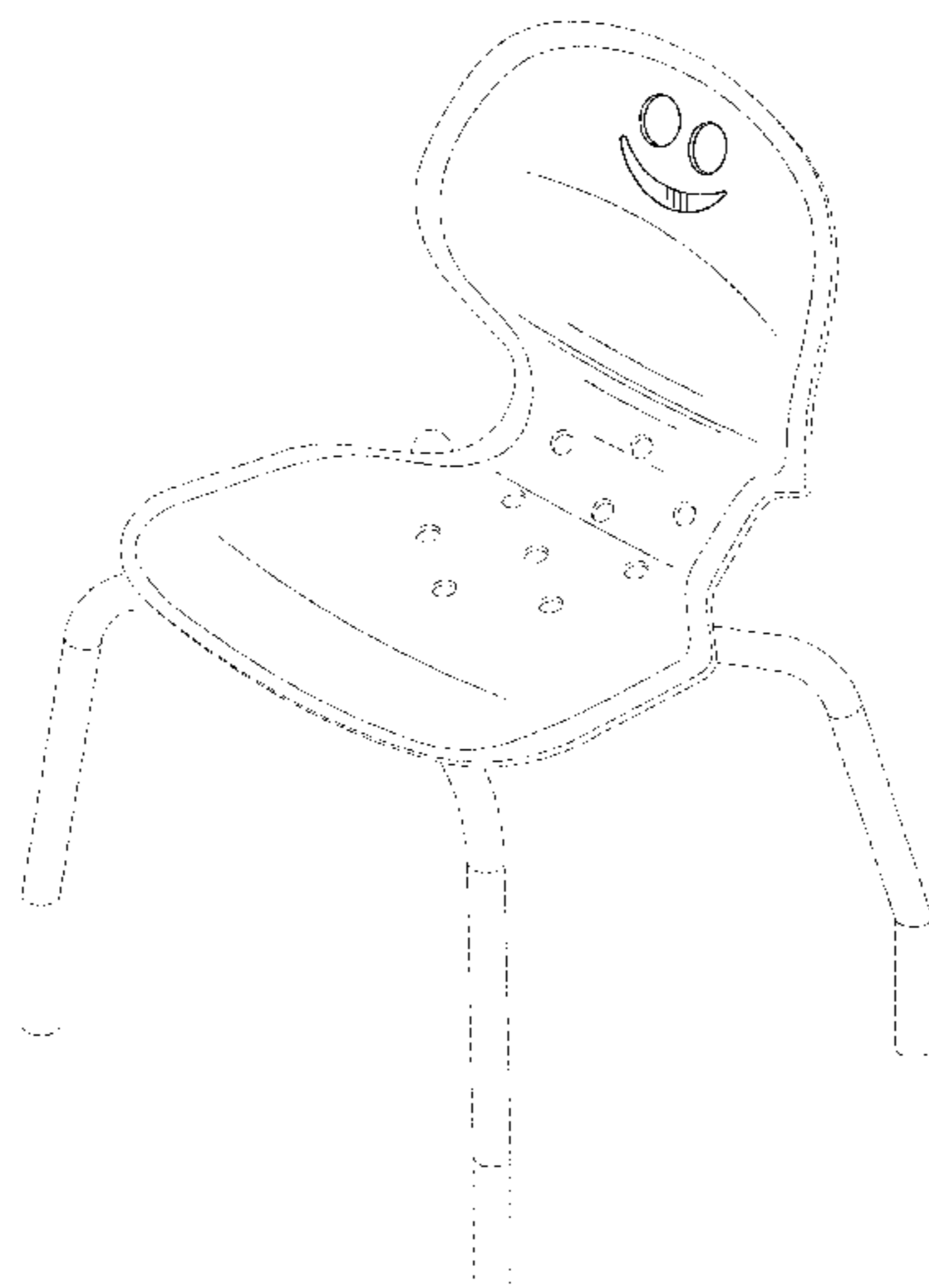
(57) **CLAIM**

The ornamental design for a chair shell, as shown and described.

DESCRIPTION

FIG. 1 is a front perspective view of a chair shell; FIG. 2 is a front view of the chair shell of FIG. 1; FIG. 3 is a rear view of the chair shell of FIG. 1; FIG. 4 is a top plan view of the chair shell of FIG. 1; and, FIG. 5 is a bottom plan view of the chair shell of FIG. 1. The dash-dash broken lines, when present in the drawings, are for the purpose of illustrating the environment of the design and form no part of the claimed design. The dash-dot broken lines in the drawings define the bounds of the claimed design and form no part thereof.

1 Claim, 5 Drawing Sheets



(56)

References Cited

U.S. PATENT DOCUMENTS

D456,164 S 4/2002 Vanderiet et al.
 D456,650 S 5/2002 Ball et al.
 D461,379 S * 8/2002 Wang D7/686
 D464,584 S * 10/2002 Tsukayama D11/55
 D471,729 S 3/2003 Glass et al.
 D487,119 S * 2/2004 Komar D21/439
 6,739,663 B2 5/2004 Gevaert
 D497,065 S 10/2004 Lucci et al.
 D499,260 S 12/2004 Glass et al.
 6,935,690 B2 8/2005 Lucci et al.
 D546,574 S 7/2007 Kaloustian
 D558,491 S 1/2008 Kane
 D578,171 S * 10/2008 Auberger D21/621
 D580,501 S * 11/2008 Auberger D21/621
 D593,761 S 6/2009 Kaloustian
 D597,758 S 8/2009 Barrett et al.
 D598,663 S 8/2009 Hardt, II
 7,600,820 B2 10/2009 Bouche et al.
 D607,654 S 1/2010 Fewchuk
 D618,739 S * 6/2010 Haug D21/621
 7,794,022 B2 9/2010 Caruso et al.
 D646,916 S 10/2011 Barrett et al.
 D648,963 S 11/2011 Brodbeck
 D679,524 S 4/2013 Corcorran et al.
 D686,032 S 7/2013 Glass et al.
 D686,857 S 7/2013 Fletcher
 D686,858 S 7/2013 Fletcher
 D703,224 S * 4/2014 Skidgel D14/486
 D707,461 S 6/2014 Rada et al.
 D728,959 S 5/2015 Lievore et al.
 D731,222 S 6/2015 Bosman
 D742,153 S 11/2015 Hui et al.
 D743,180 S 11/2015 Mehaffey et al.
 D794,372 S * 8/2017 Lin D6/368
 D796,883 S * 9/2017 Mehaffey D6/375
 2005/0012369 A1 1/2005 Mendenhall et al.
 2005/0139417 A1 * 6/2005 Quast F01N 13/082
 181/227
 2006/0169154 A1 * 8/2006 Nelson G09F 3/00
 101/114
 2006/0180034 A1 * 8/2006 Arend A47J 37/0892
 99/389
 2006/0182859 A1 * 8/2006 Arend A21C 11/02
 426/503
 2007/0104036 A1 * 5/2007 Prax A63H 33/22
 369/1

2007/0292344 A1 * 12/2007 Turner A61F 17/00
 424/1.13
 2008/0057825 A1 * 3/2008 Nelson A63H 27/10
 446/220
 2009/0177976 A1 * 7/2009 Bokor G06F 3/0481
 715/753
 2011/0137675 A1 * 6/2011 McLaughlin G06Q 10/10
 705/2
 2011/0193393 A1 8/2011 Welsh
 2012/0267934 A1 10/2012 Fewchuk
 2014/0077573 A1 3/2014 Schneider et al.
 2015/0289656 A1 10/2015 Saint Pierre et al.
 2017/0011537 A1 * 1/2017 Hahn G06T 13/80
 2017/0196360 A1 * 7/2017 Takagi A47C 7/40

OTHER PUBLICATIONS

Smiley Chair by Mudra as shown on buycheapindia.com[online],
 Published on Nov. 16, 2013[retrieved on Mar. 1, 2017]. Retrieved
 from the internet <URL: [http://www.buycheapindia.com/forum/](http://www.buycheapindia.com/forum/THREAD-SPECIAL-WEEKEND-OFFER-25-OFF-ON-FURNITURE)
 THREAD-SPECIAL-WEEKEND-OFFER-25-OFF-ON-FURNI-
 TURE.*
 Yam&toast Gummy Bear Chair as shown on amazon.com [online],
 Date first available Nov. 15, 2009 [retrieved on Feb. 17, 2017].
 Retrieved from the internet <URL: [https://www.amazon.com/yam-](https://www.amazon.com/yam-toast-Gummy-Bear-Chair/dp/B002TSB9TM/ref=pd_day0_196_9?encoding=UTF8&pd_rd_i=B002TSB9TM&pd_rd_r=6WMXGAQQXBAMB0HFZWM2&pd_rd_w=fhim6&pd_rd_wg=WIHIE&psc=1&refRID=6WMXGAQQX)
 toast-Gummy-Bear-Chair/dp/B002TSB9TM/
 ref=pd_day0_196_9?encoding=UTF8&pd_rd_i=B002TSB9TM
 &pd_rd_r=6WMXGAQQXBAMB0HFZWM2&pd_rd_w=fhim6
 &pd_rd_wg=WIHIE&psc=1&refRID=6WMXGAQQX.*
 Sales literature—Paragon A&D Chair, Mar. 7, 2013 (2 page).
 Sales literature—KI Intellect Wave Classroom Furniture, 2015 (12
 pages).
 Sales literature—VS Compass-LuPo Four Legged chair, Mar. 31,
 2014 (1 page).
 Sales literature—VS PantoSwing-LuPo Forward-flexing cantilever
 chair, 3/24/2-14 (1 page).
 Sales literature—Smith System product catalog, 2015, (251 pages).
 Sales literature—Virco N2 Series 4-Leg Chair, no publication date
 (1 page).
 Sales literature—Virco Telos Stacking Chair, no publication date (1
 page).
 Sales literature—Virco Zuma 4-Leg Chair, no publication date (1
 page).
 Sales literature—Fantian Dining Room chair Model FT-CY006,
 unknown release date (72 pages).

* cited by examiner

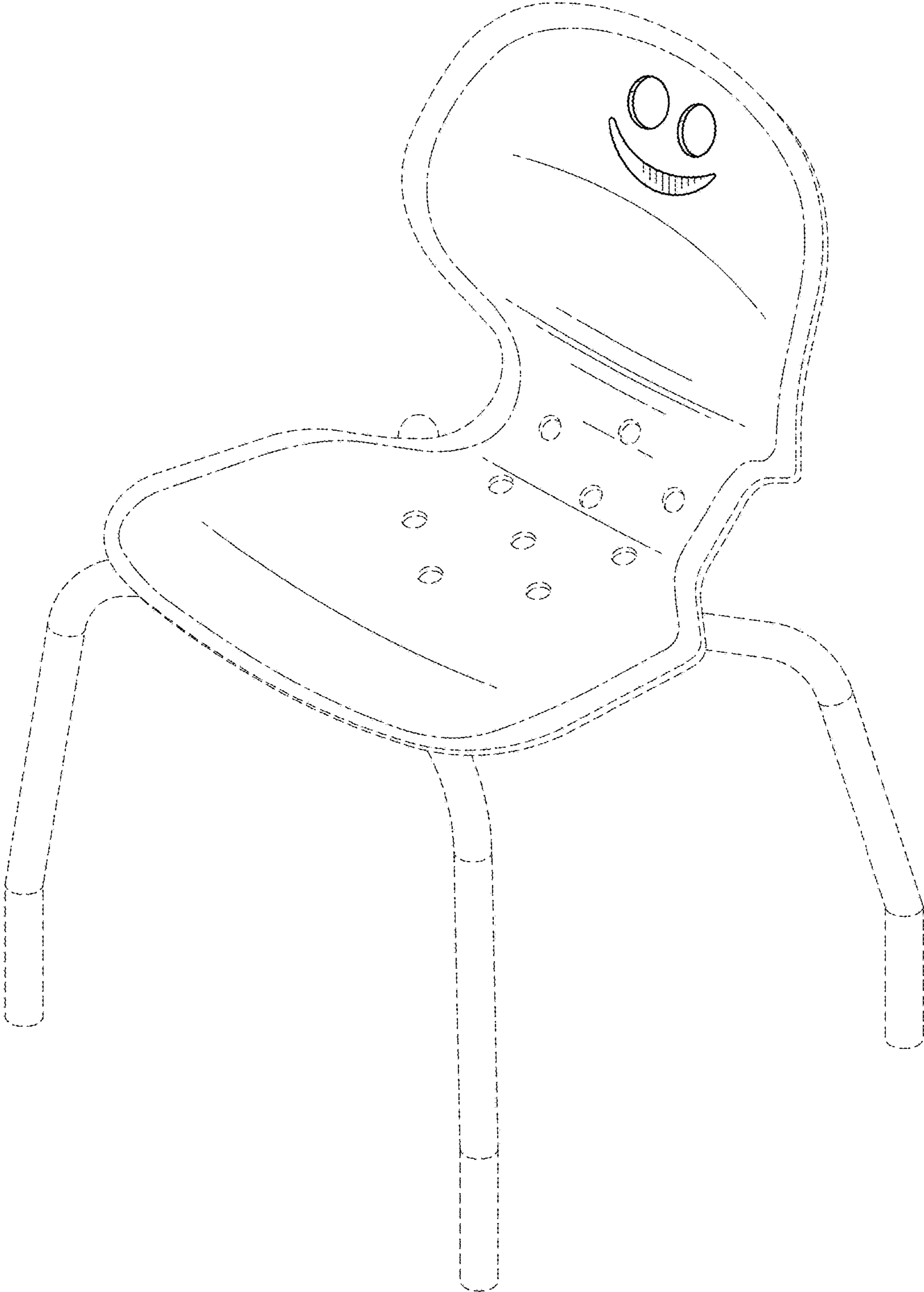


FIG. 1

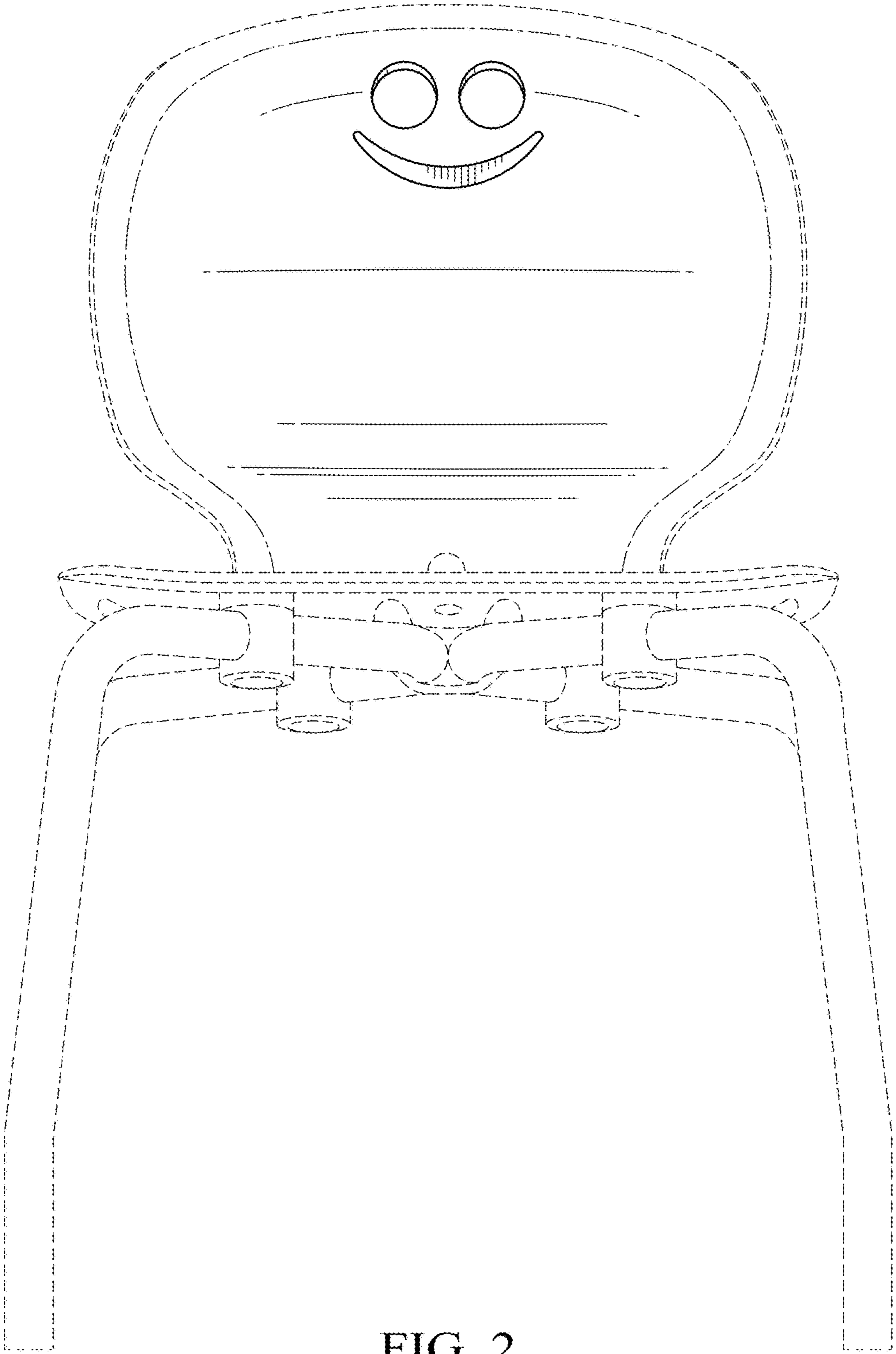


FIG. 2

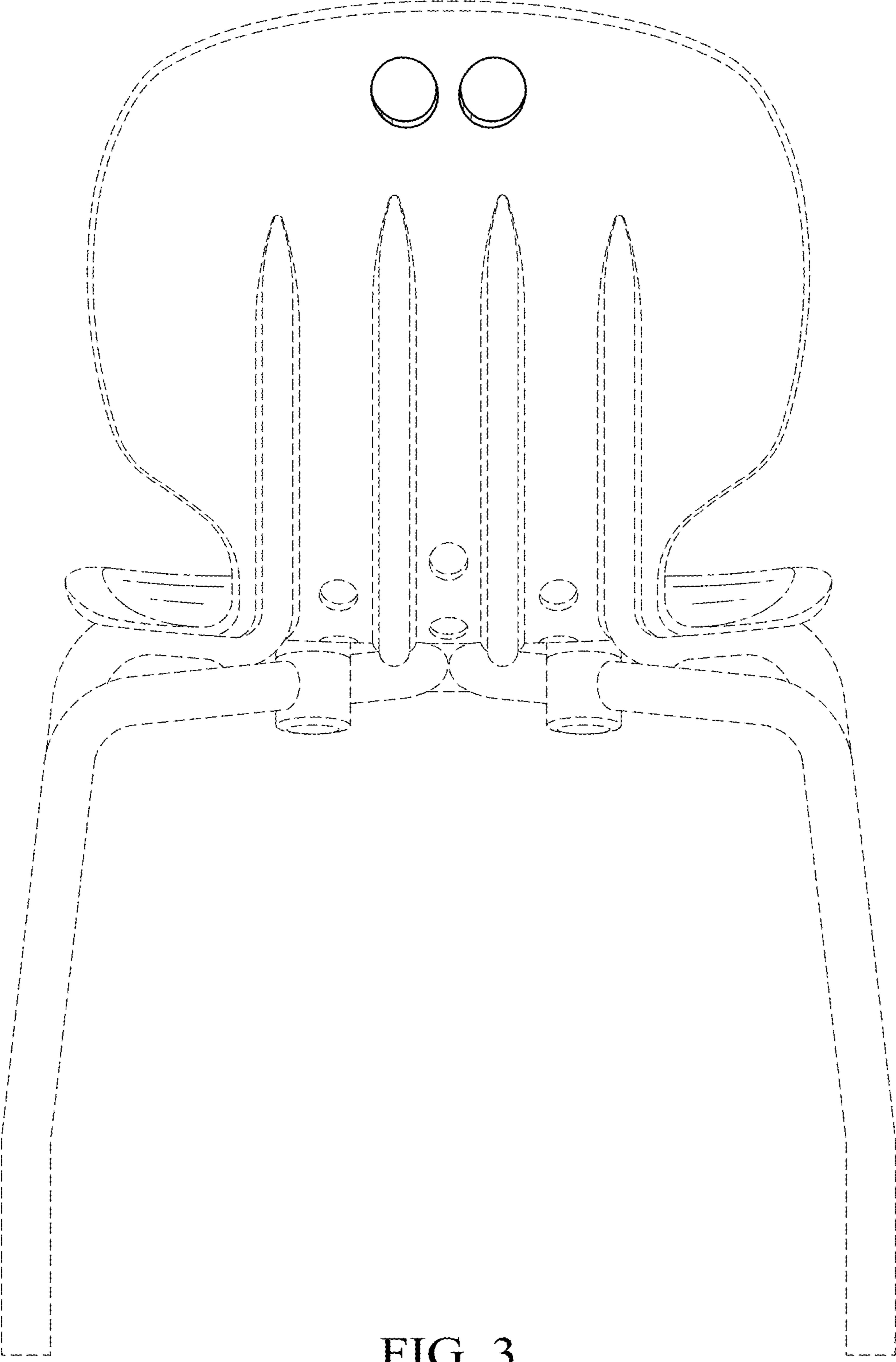


FIG. 3

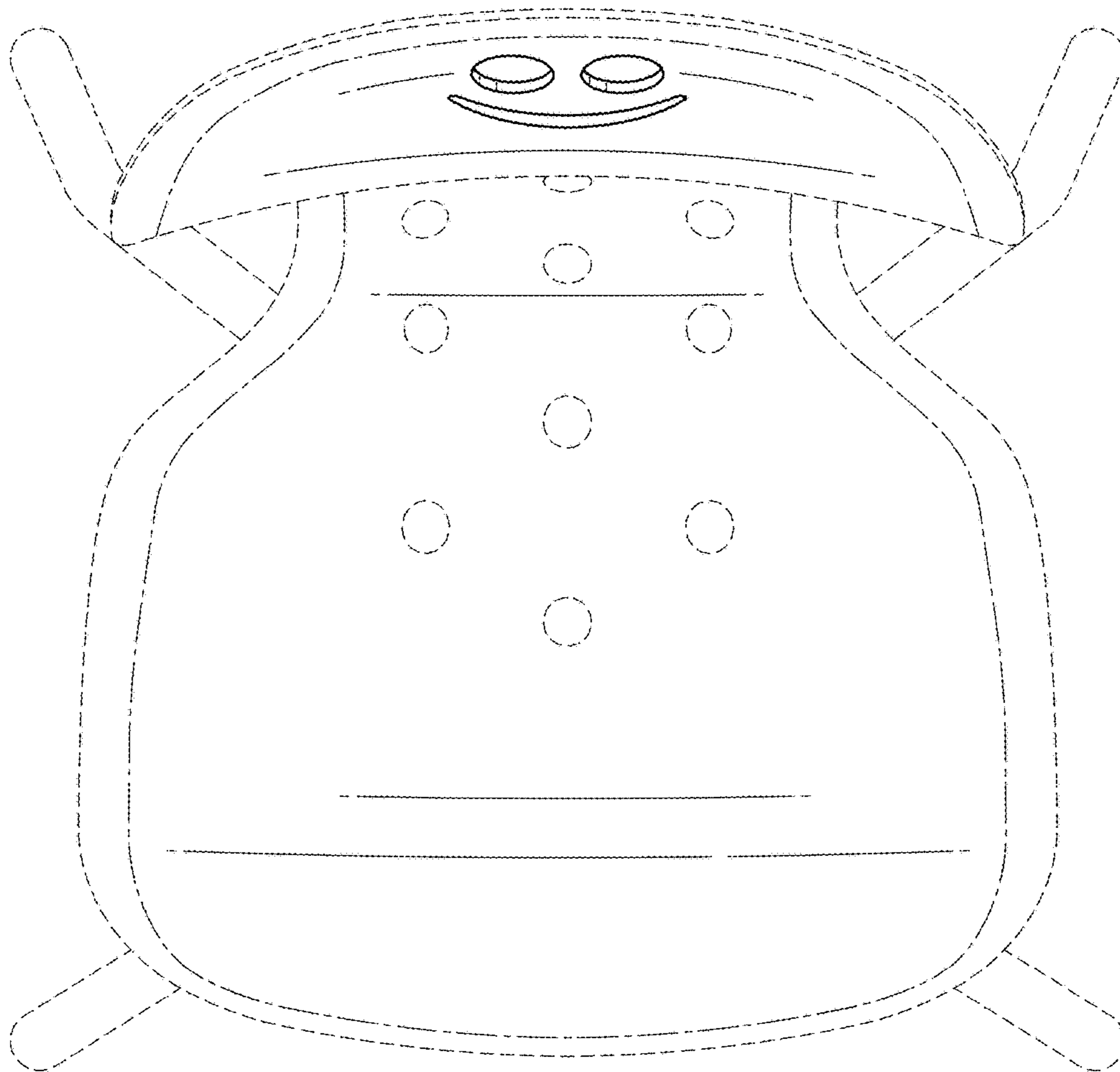


FIG. 4

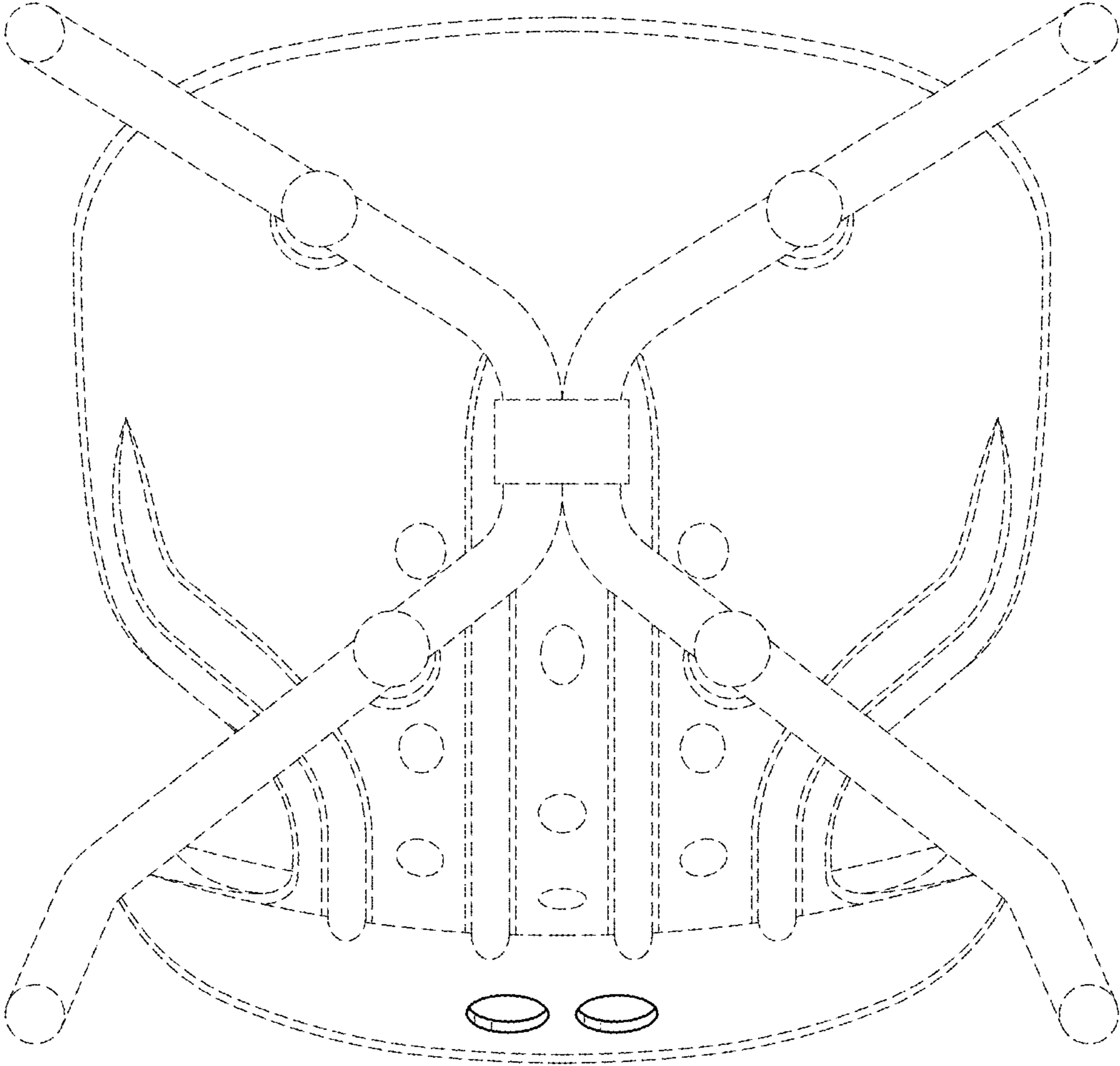


FIG. 5