



US00D818731S

(12) **United States Design Patent**
Feldmann

(10) **Patent No.:** **US D818,731 S**

(45) **Date of Patent:** **** May 29, 2018**

(54) **BEACH CHAIR**
(71) Applicant: **DESIGN FOR HUMAN NATURE GMBH, Hamburg (DE)**
(72) Inventor: **André Feldmann, Hamburg (DE)**
(**) Term: **15 Years**
(21) Appl. No.: **35/501,605**

5,380,059 A * 1/1995 Felling A47C 1/14
135/96
5,947,552 A * 9/1999 Wilkins A47C 7/66
297/16.1
D575,535 S * 8/2008 Bizzell D6/333
D640,483 S * 6/2011 Daley A47D 9/005
D6/333
8,998,327 B2 * 4/2015 Cooney B63B 29/04
297/188.1
D731,800 S * 6/2015 Wise D6/361
(Continued)

(22) Filed: **Aug. 1, 2016**

Primary Examiner — Mary Ann Calabrese

(80) **Hague Agreement Data**

(57) **CLAIM**

Int. Filing Date: **Aug. 1, 2016**
Int. Reg. No.: **DM/092415**
Int. Reg. Date: **Aug. 1, 2016**
Int. Reg. Pub. Date: **Sep. 23, 2016**

The ornamental design for a beach chair, as shown and described.

(30) **Foreign Application Priority Data**

DESCRIPTION

Feb. 4, 2016 (EM) 2973354-0001

(51) **LOC (11) Cl.** **06-01**

(52) **U.S. Cl.**
USPC **D6/361**

(58) **Field of Classification Search**
USPC D6/333, 335, 360, 361, 368, 369, 374,
D6/375, 389–391
CPC A47C 1/00; A47C 1/0242; A47C 1/14;
A47C 1/146; A47C 3/00; A47C 3/16;
A47C 4/00; A47C 7/00; A47C 7/62;
A47C 7/66; A47C 15/00; A47D 13/02;
B63B 29/04

See application file for complete search history.

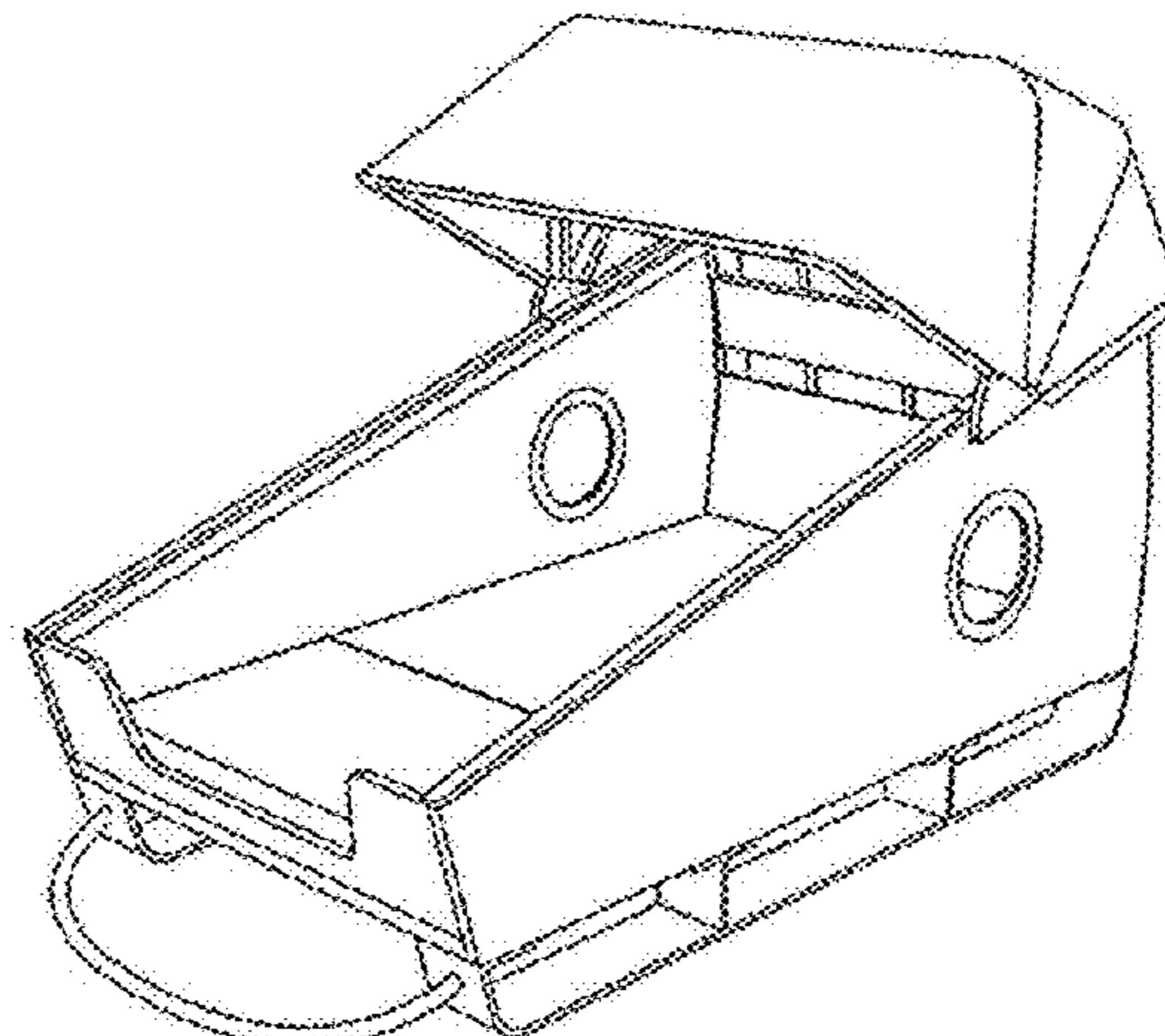
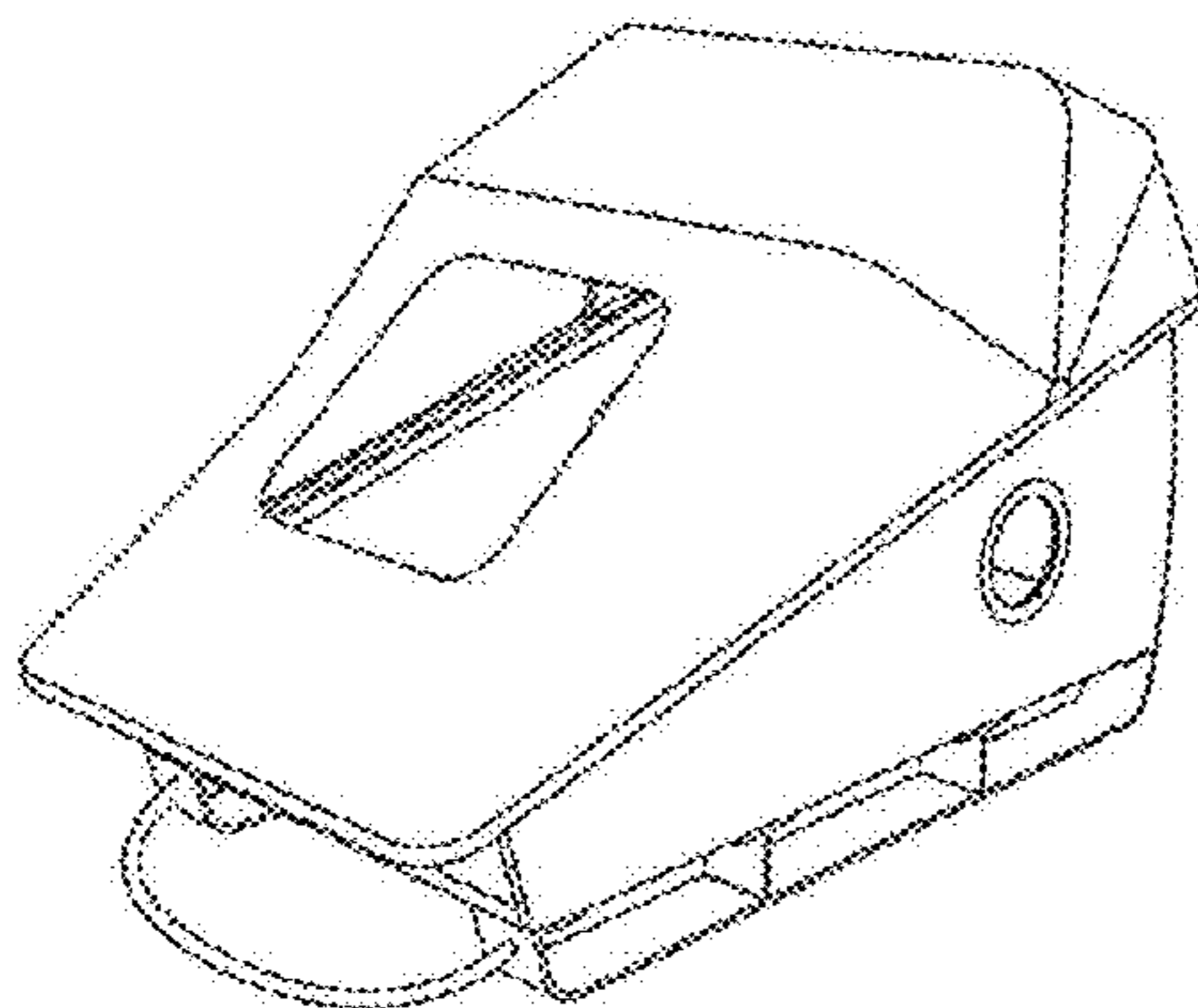
- 1. Wicker beach chair
 - 1.1 : Top
 - 1.2 : Right
 - 1.3 : Front
 - 1.4 : Left
 - 1.5 : Back
 - 1.6 : Bottom
 - 1.7 : Perspective
 - 1.8 : Top view with the canopy in an alternate unfolded position of use
 - 1.9 : Right side view with the canopy in an alternate unfolded position of use
 - 1.10 : Front side view with the canopy in an alternate unfolded position of use
 - 1.11 : Left side view with the canopy in an alternate unfolded position of use
 - 1.12 : Back side view with the canopy in an alternate unfolded position of use
 - 1.13 : Bottom view with the canopy in an alternate unfolded position of use
 - 1.14 : Perspective view with the canopy in an alternate unfolded position of use
- The portions of the beach chair shown in broken lines form no part of the claimed design.

(56) **References Cited**

U.S. PATENT DOCUMENTS

2,243,984 A * 6/1941 Singewald A47C 1/143
135/96
5,015,032 A * 5/1991 Felling A47C 1/0242
297/184.15

1 Claim, 14 Drawing Sheets



(56)

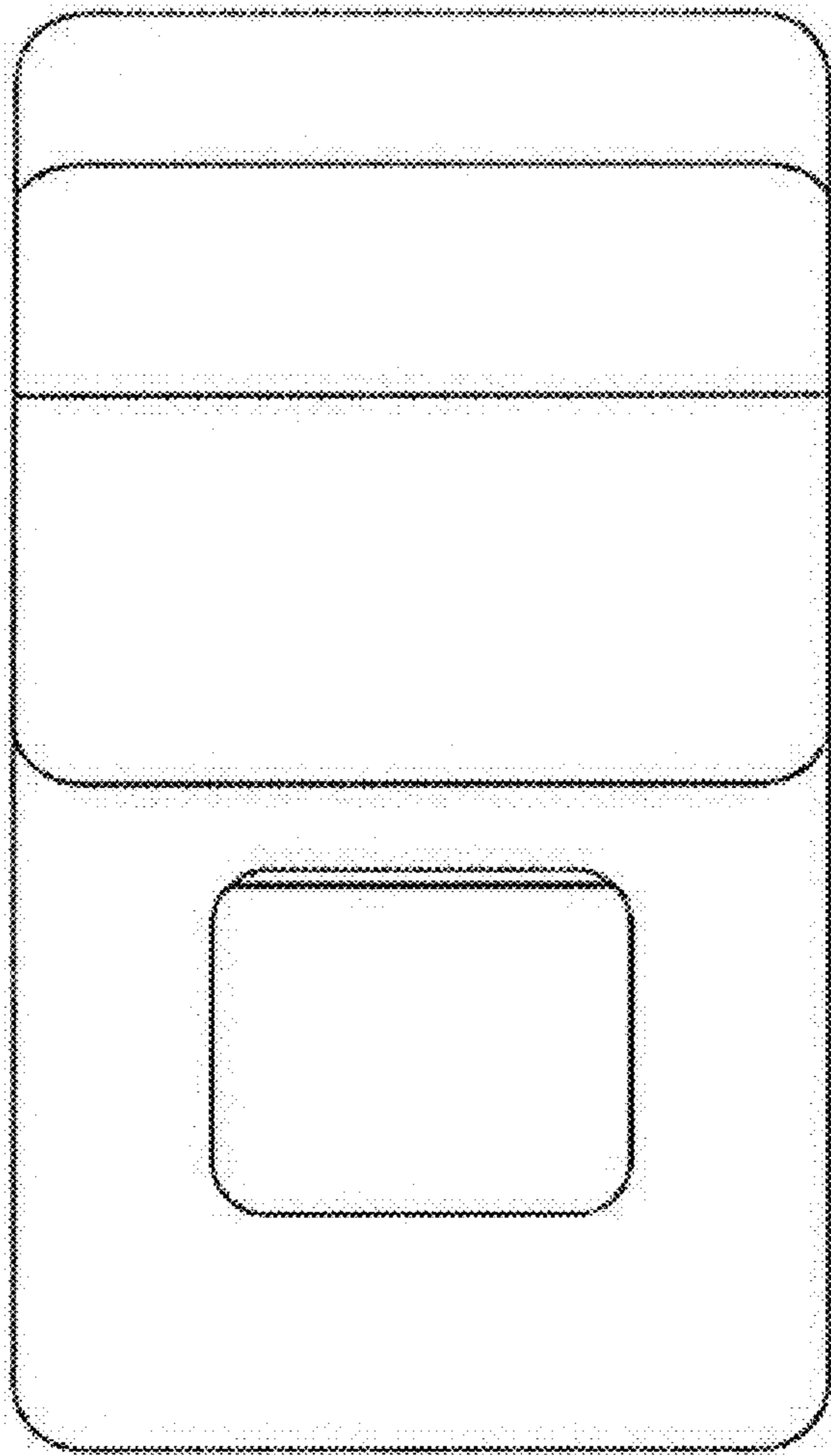
References Cited

U.S. PATENT DOCUMENTS

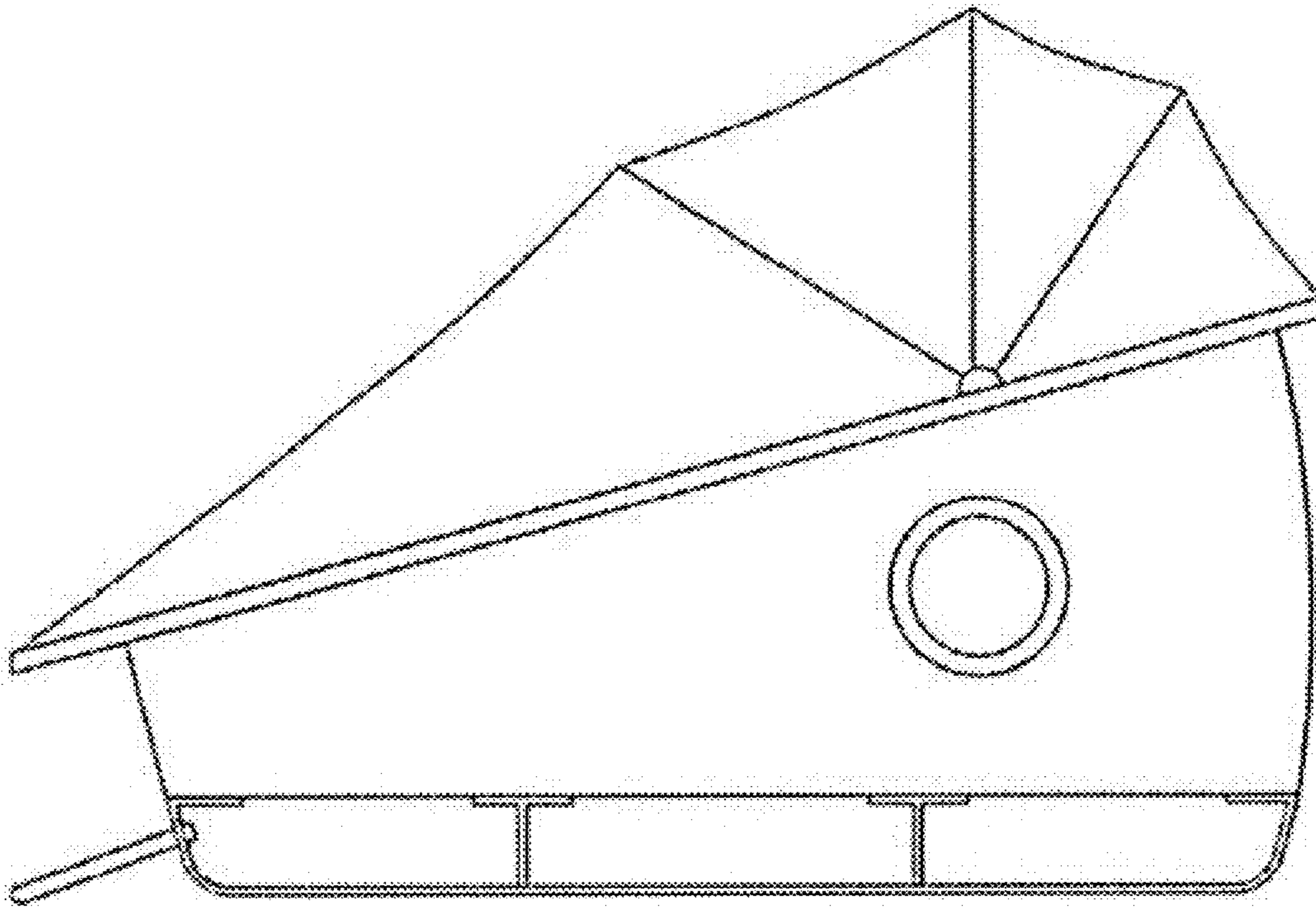
2016/0120323 A1* 5/2016 Rivera A47C 1/143
297/184.15
2017/0164742 A1* 6/2017 Hay A47C 1/0242

* cited by examiner

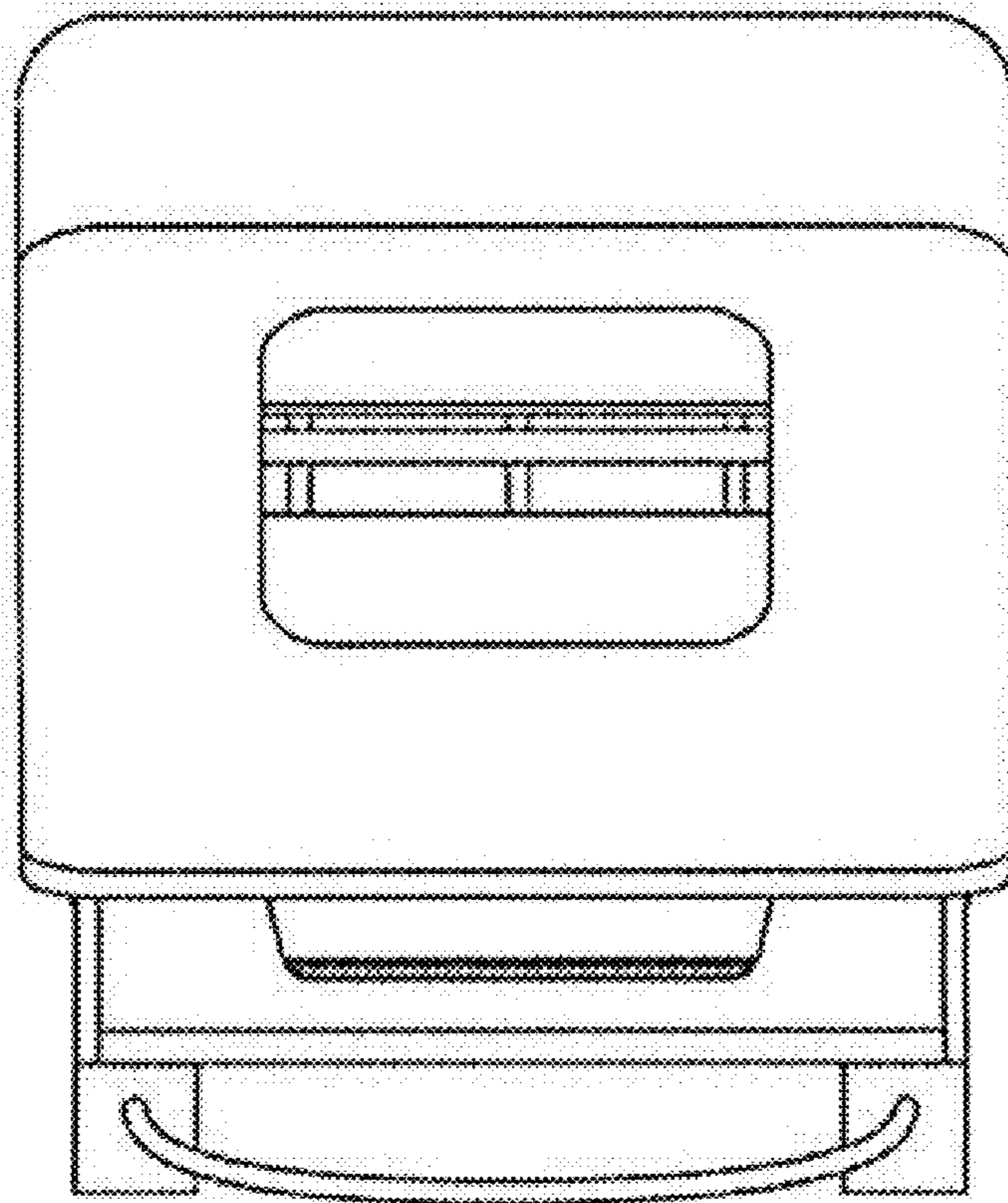
1.1



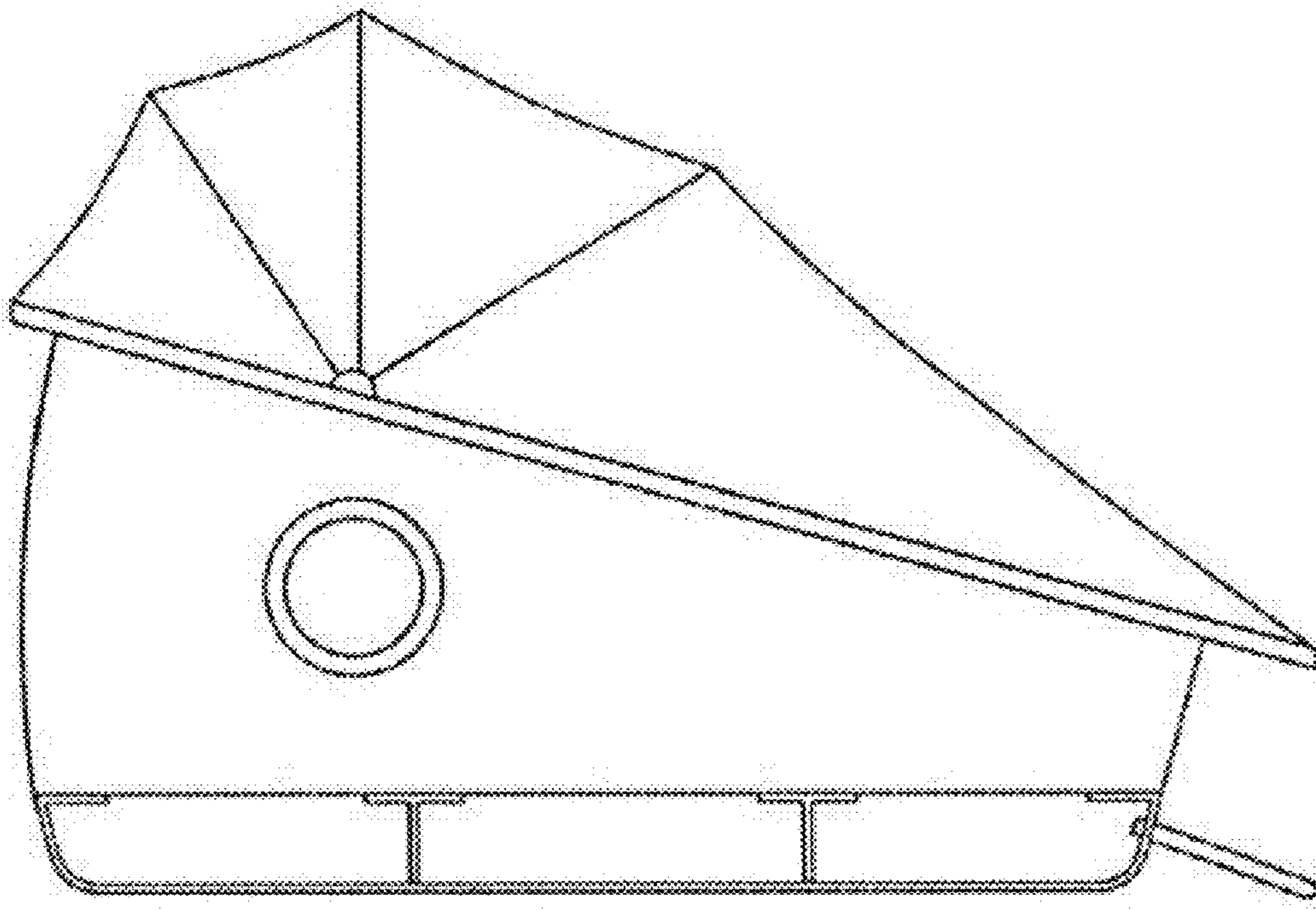
1.2



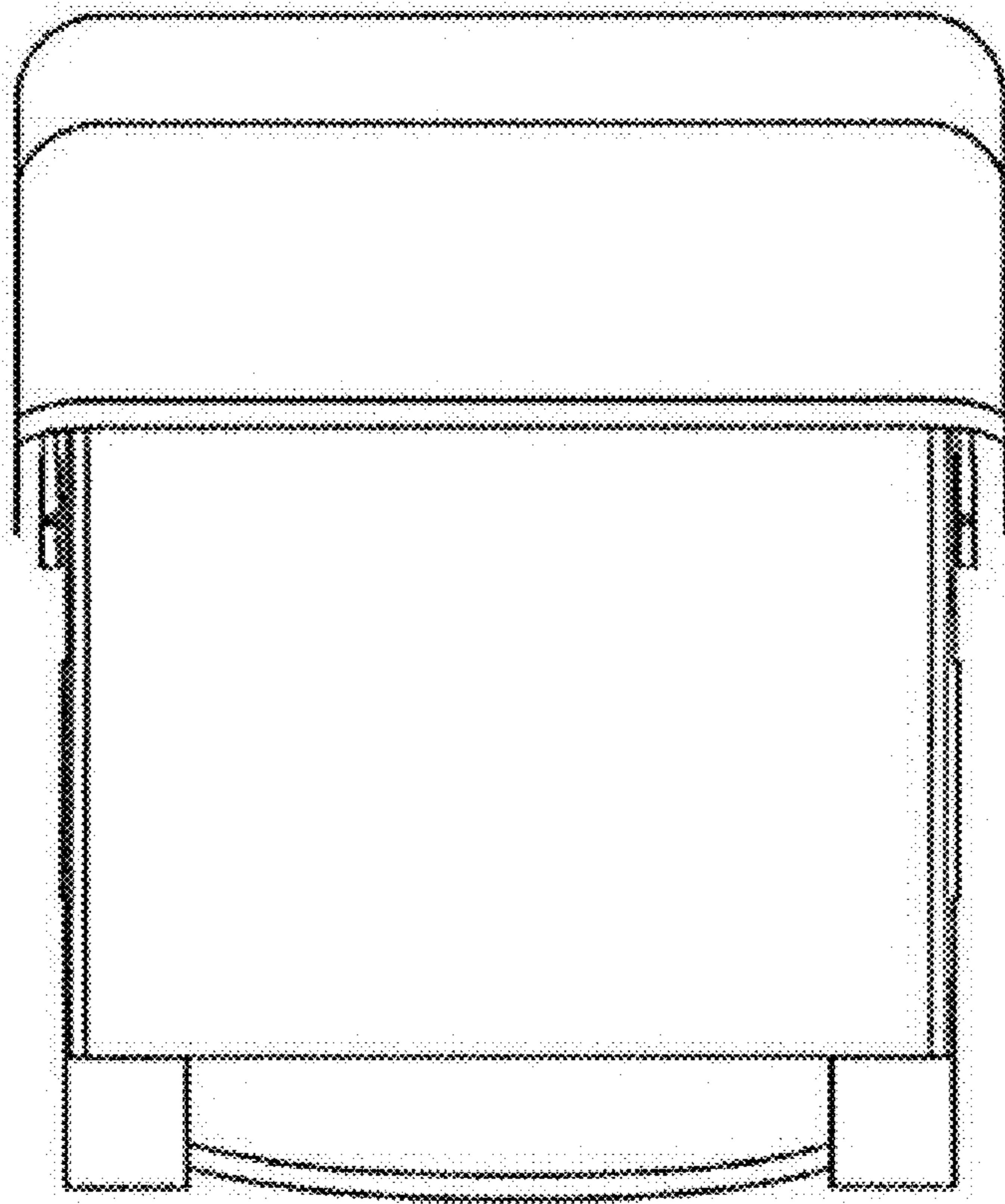
1.3



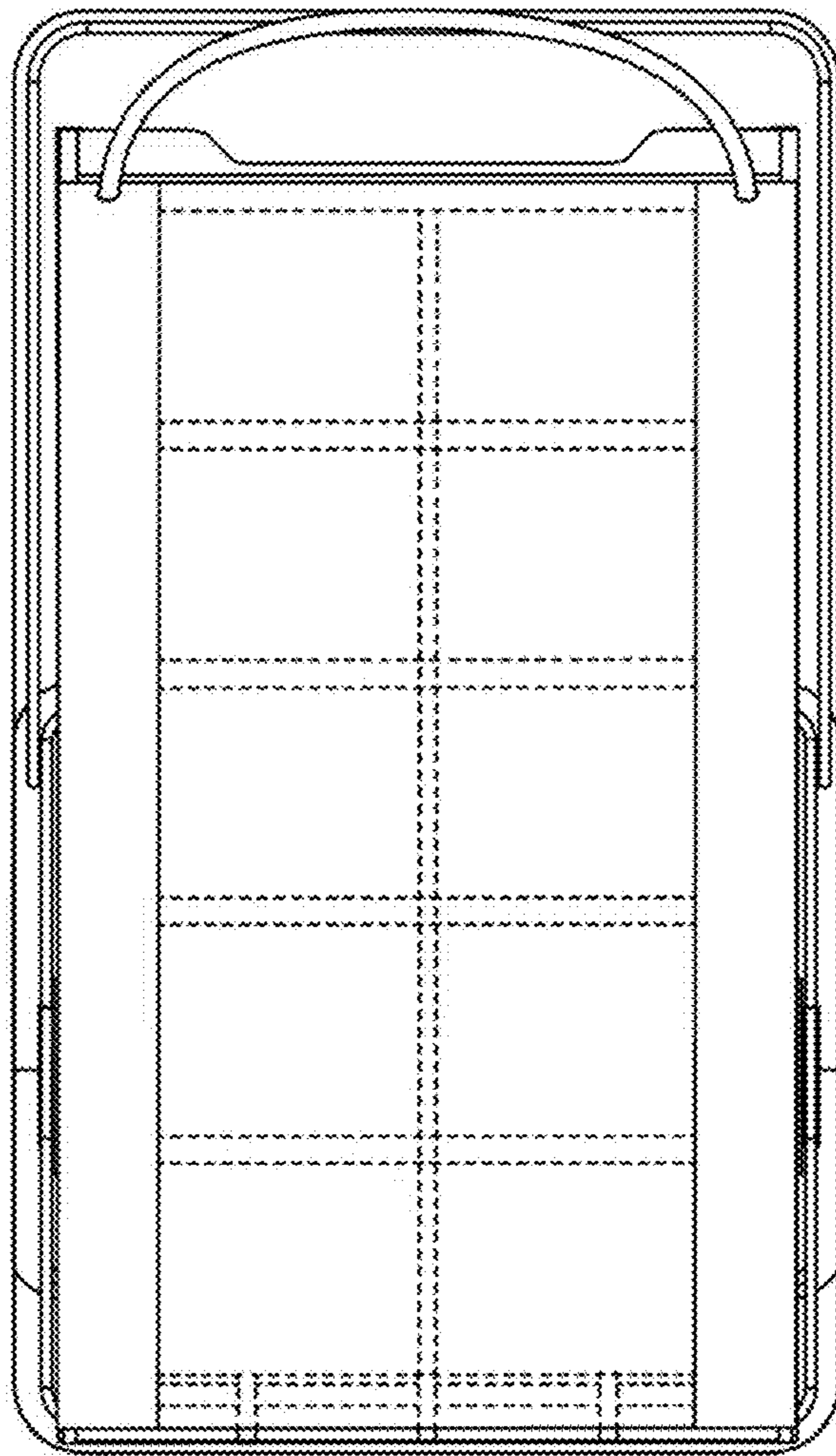
1.4



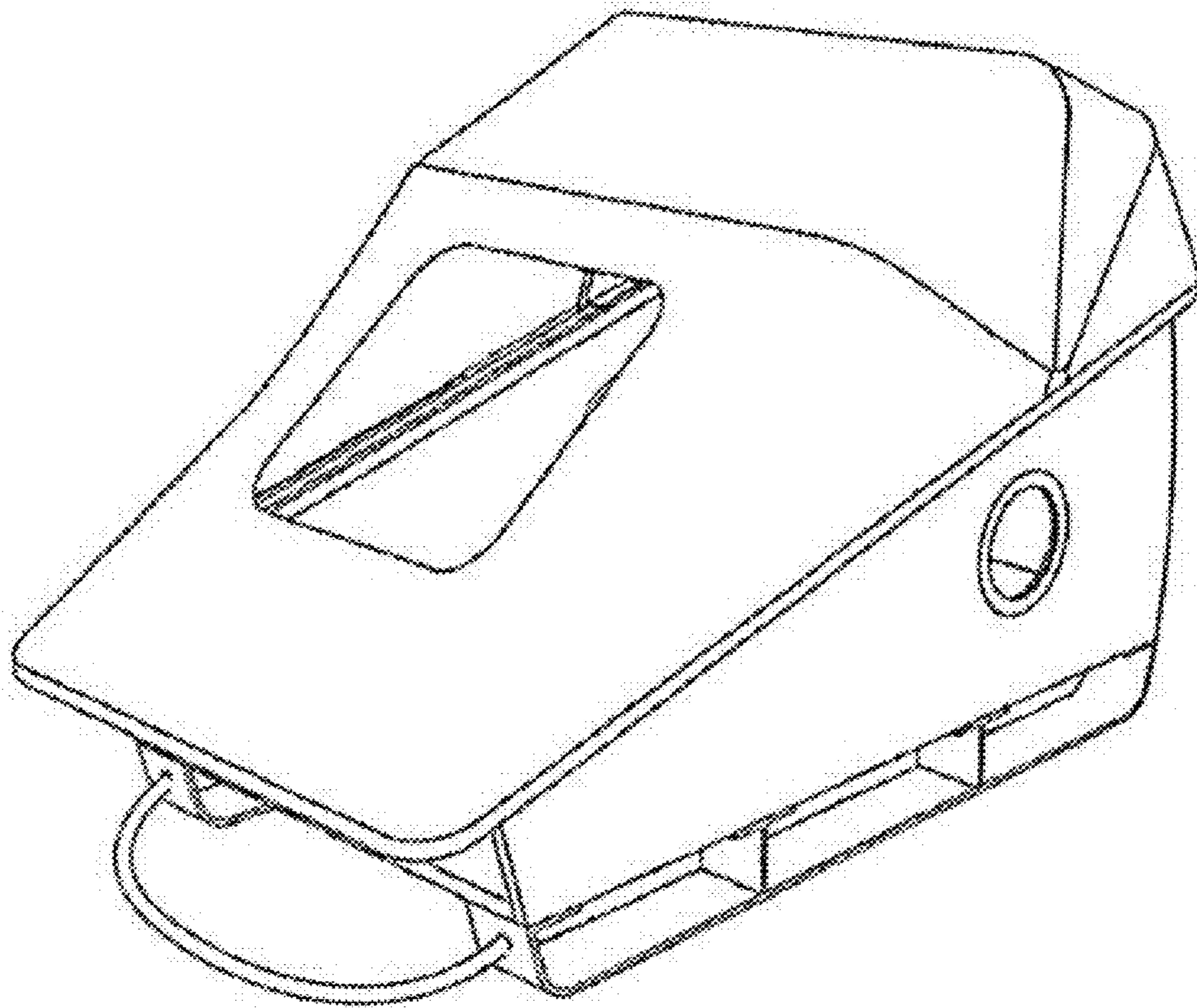
1.5



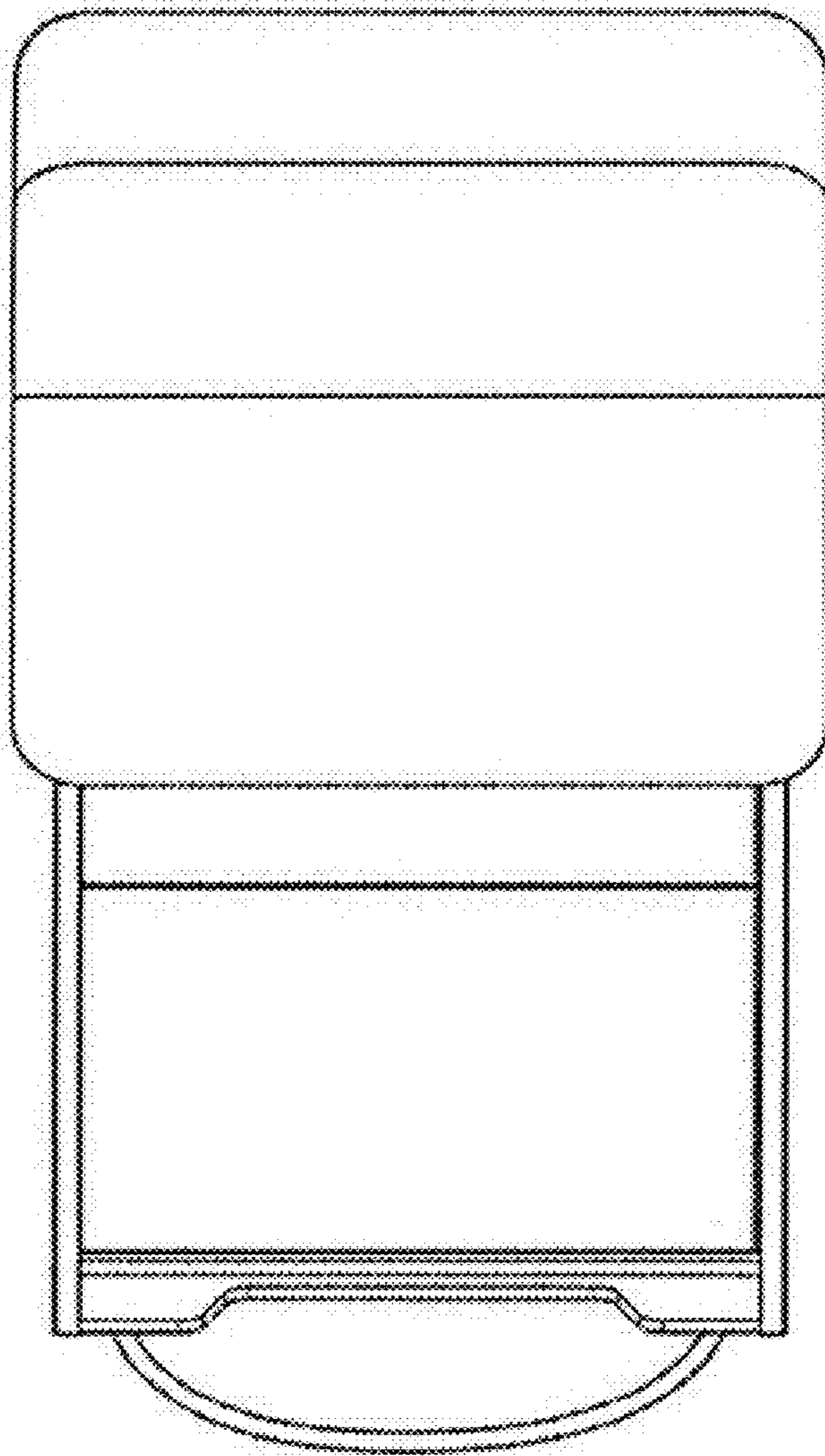
1.6



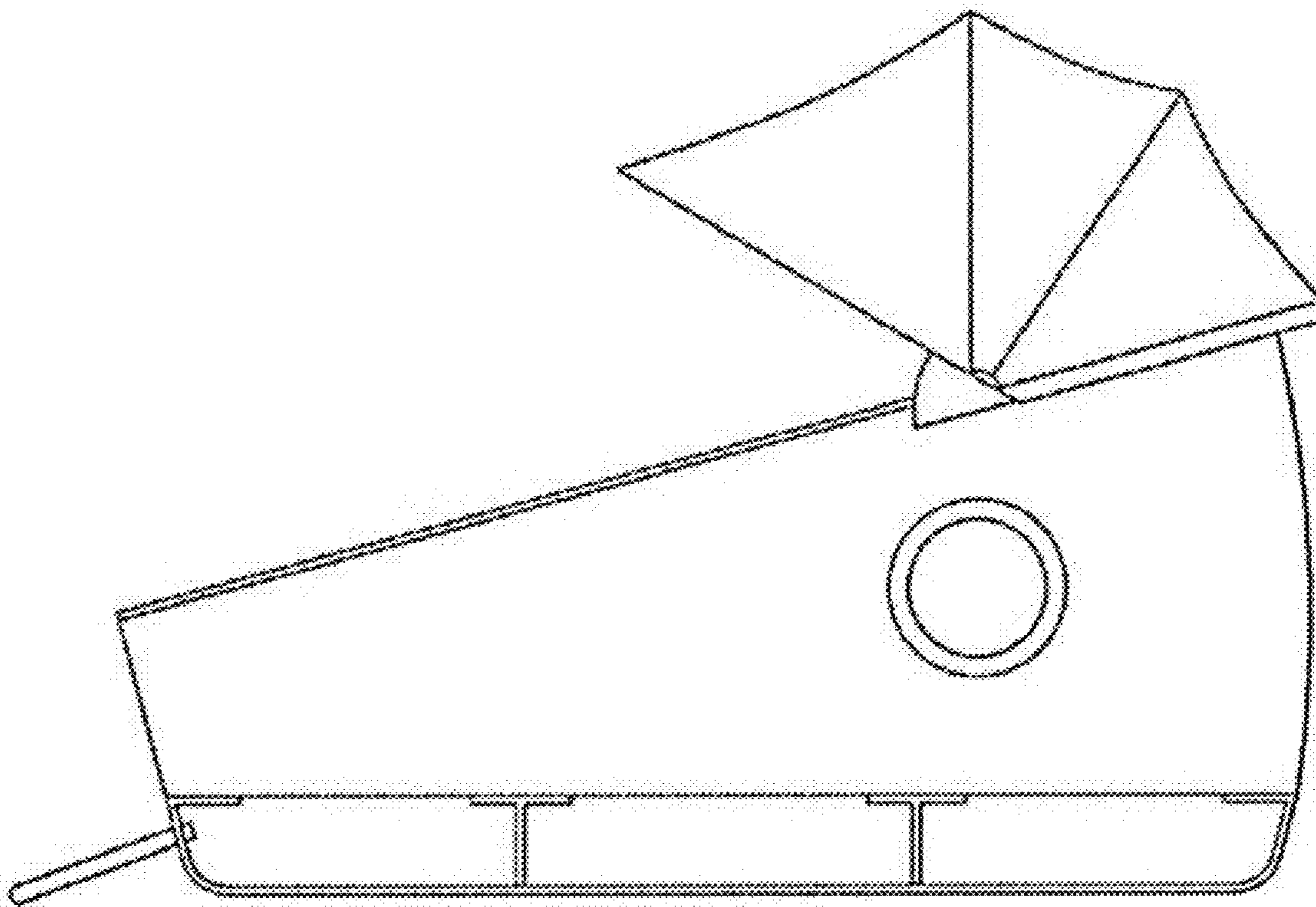
1.7



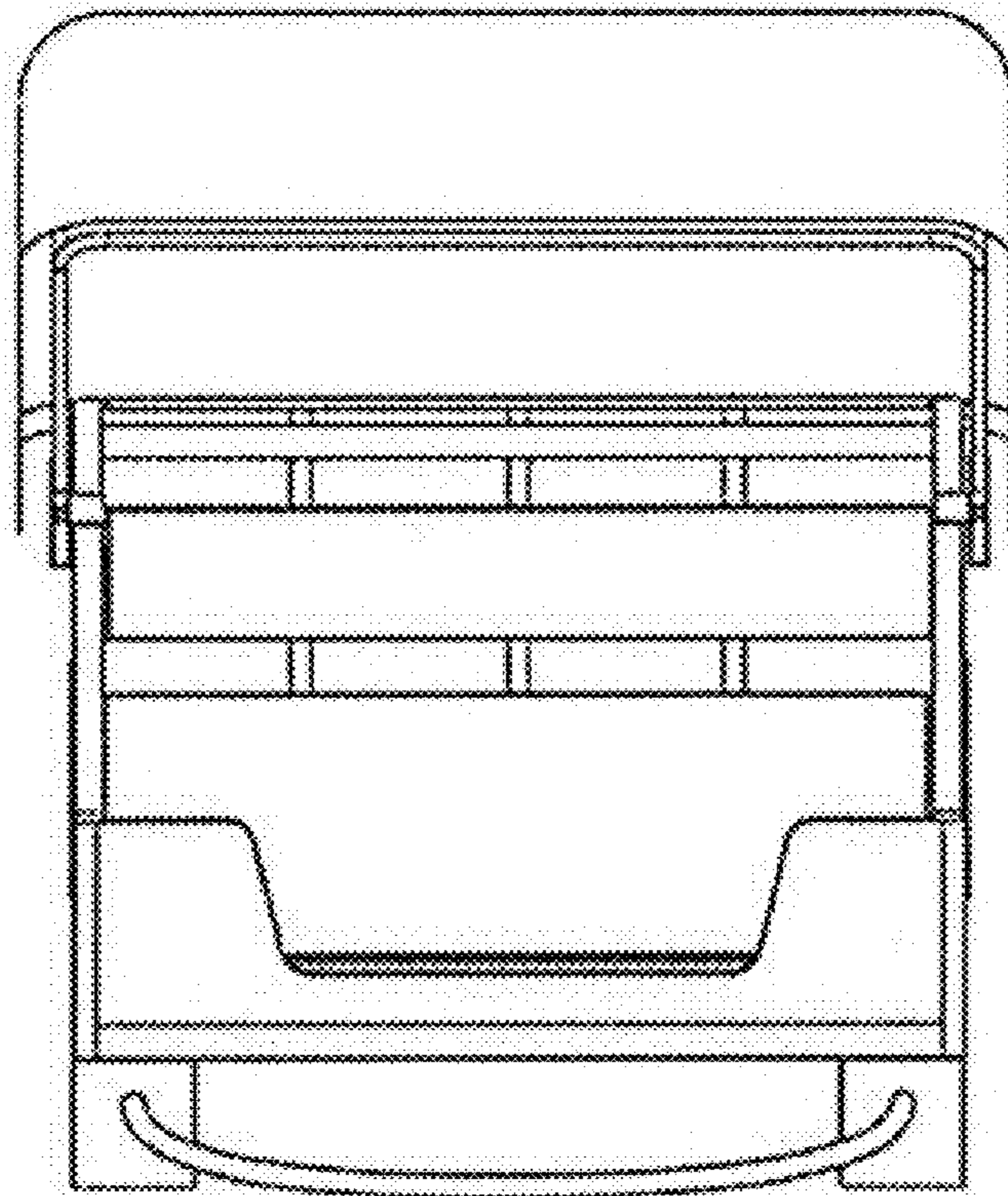
1.8



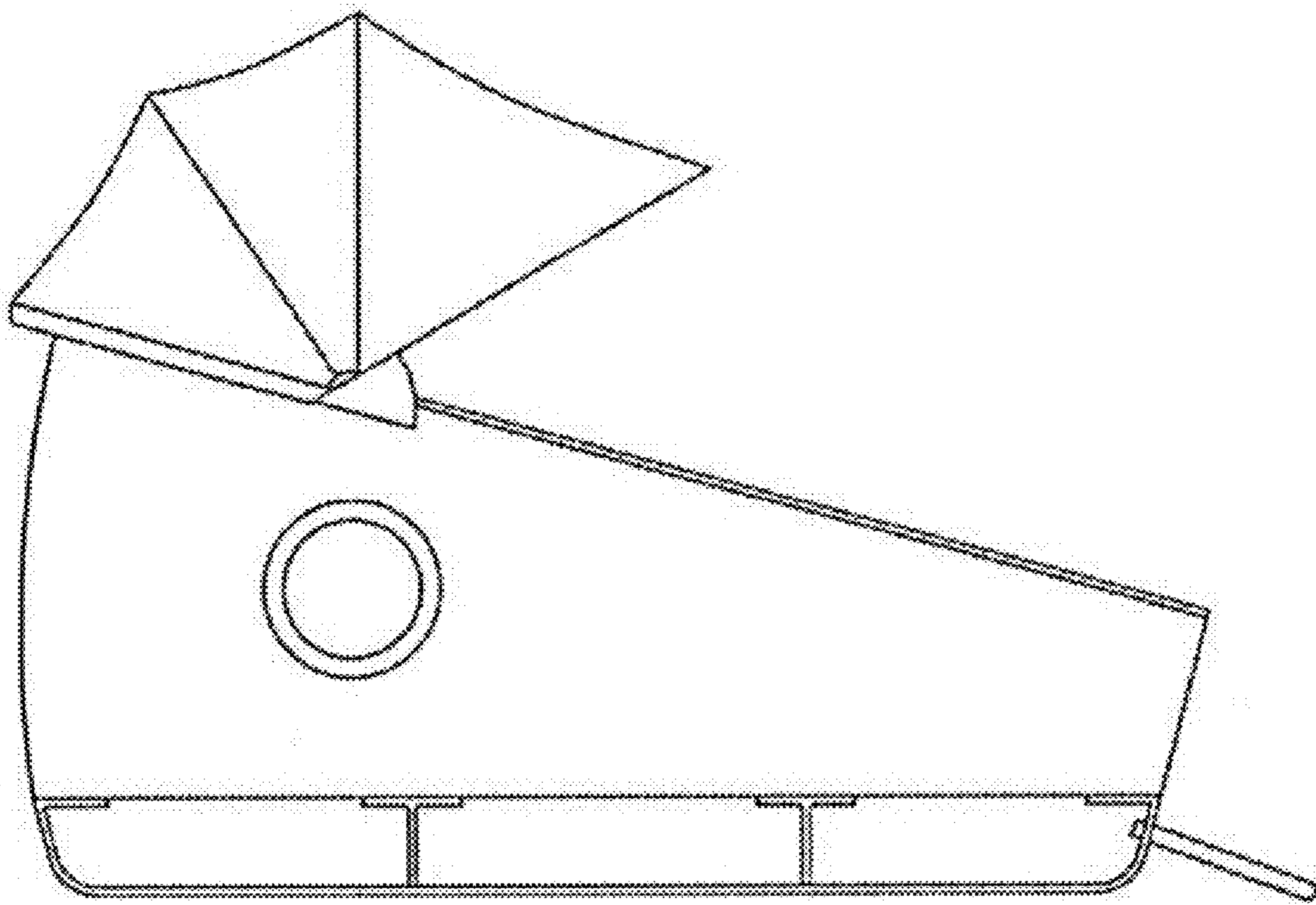
1.9



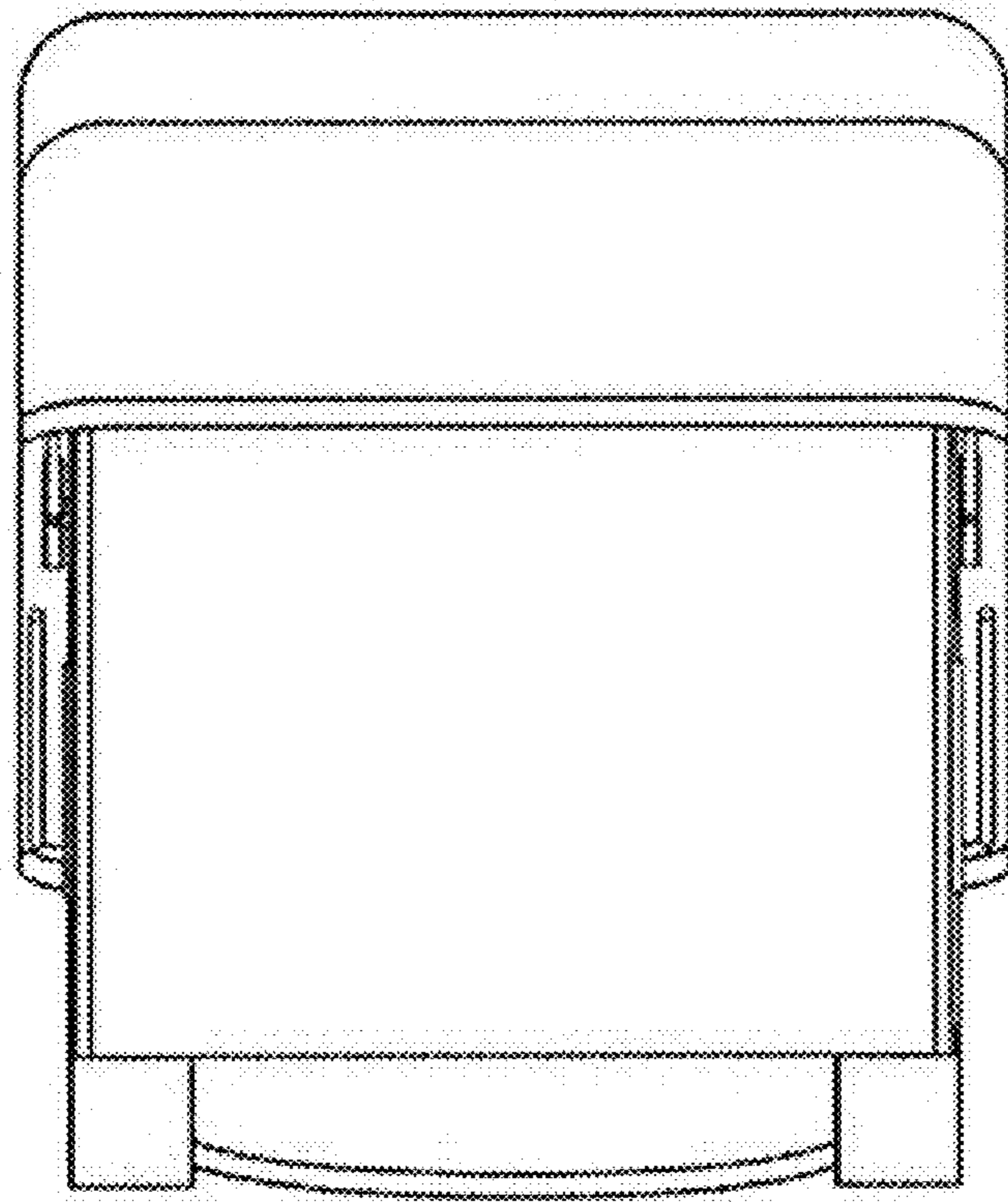
1.10



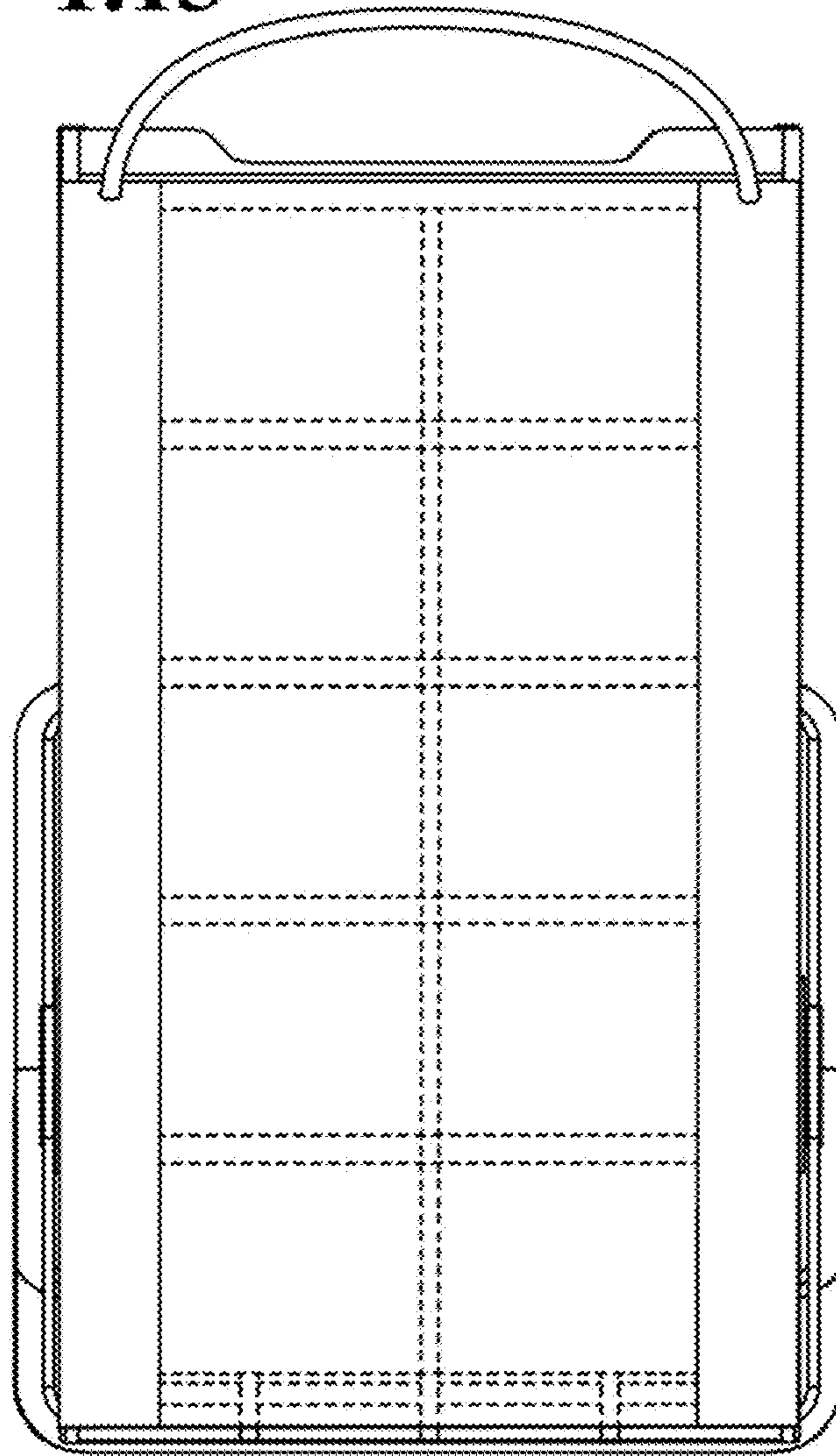
1.11



1.12



1.13



1.14

