



US00D818730S

(12) **United States Design Patent**  
**Melbostad**

(10) **Patent No.:** **US D818,730 S**

(45) **Date of Patent:** **\*\* May 29, 2018**

- (54) **BEAN BAG FOOTREST/TABLE**
- (71) Applicant: **Premier Marine, Inc.**, Wyoming, MN  
(US)
- (72) Inventor: **Lori Melbostad**, North Branch, MN  
(US)
- (73) Assignee: **Premier Marine, Inc.**, Wyoming, MN  
(US)
- (\*\*) Term: **15 Years**

D279,444 S *	7/1985	McDonald .....	D6/692.3
D412,348 S *	7/1999	Gebauer .....	D21/397
D427,791 S *	7/2000	Peterson .....	D6/349
D428,269 S *	7/2000	Peterson .....	D6/349
D430,420 S *	9/2000	Peterson .....	D30/118
D435,355 S *	12/2000	Peterson .....	D30/118
D545,071 S *	6/2007	Potter .....	D6/336
D553,413 S *	10/2007	Boutin .....	D6/601
D642,407 S *	8/2011	Pirkl .....	D6/707.2
D653,049 S *	1/2012	Goldszer .....	D6/406.3
D666,839 S *	9/2012	Johnson .....	D6/349
D681,356 S *	5/2013	Iwasaki .....	D6/349
D747,618 S *	1/2016	Berkowitz .....	D6/707.2

(Continued)

- (21) Appl. No.: **29/580,347**
- (22) Filed: **Oct. 7, 2016**
- (51) **LOC (11) Cl.** ..... **06-01**
- (52) **U.S. Cl.**  
USPC ..... **D6/352**
- (58) **Field of Classification Search**  
USPC ..... D6/334, 349-355, 358, 360-368,  
D6/371-374, 403, 405, 601, 604, 657,  
D6/675.4, 685, 688.17, 690, 691-691.9,  
D6/692-692.6, 693-693.3, 695, 707.2,  
D6/708, 708.2, 708.15-708.25, 709.11,  
D6/716-716.1  
CPC ..... A47C 9/02; A47C 9/007; A47C 9/027;  
A47C 7/002; A47C 7/18; A47C 16/02;  
A47C 16/04; A47C 3/18; A47C 3/203;  
A47C 12/00; A47C 13/00; A47B 7/00;  
A47B 7/02; A47B 9/00; A47B 13/02;  
A47B 23/00; A47B 39/00  
See application file for complete search history.

(56) **References Cited**

**U.S. PATENT DOCUMENTS**

2,805,109 A *	9/1957	Kopmar .....	A45B 23/00 108/25
D216,012 S *	11/1969	Buchsbaum .....	D6/352
D230,454 S *	2/1974	Thompson .....	D21/803
D265,027 S *	6/1982	Meyers .....	D6/334

**OTHER PUBLICATIONS**

Premier Marine Foot Rest. [online] Retrieved Sep. 6, 2017 from  
URL: [https://shop.pontoons.com/store/detail/274/miscellaneous Upholstery/3674/beanbag\\_footrest/](https://shop.pontoons.com/store/detail/274/miscellaneous Upholstery/3674/beanbag_footrest/).\*

(Continued)

*Primary Examiner* — Vy N Koenig  
(74) *Attorney, Agent, or Firm* — Shumaker & Sieffert,  
P.A.

(57) **CLAIM**

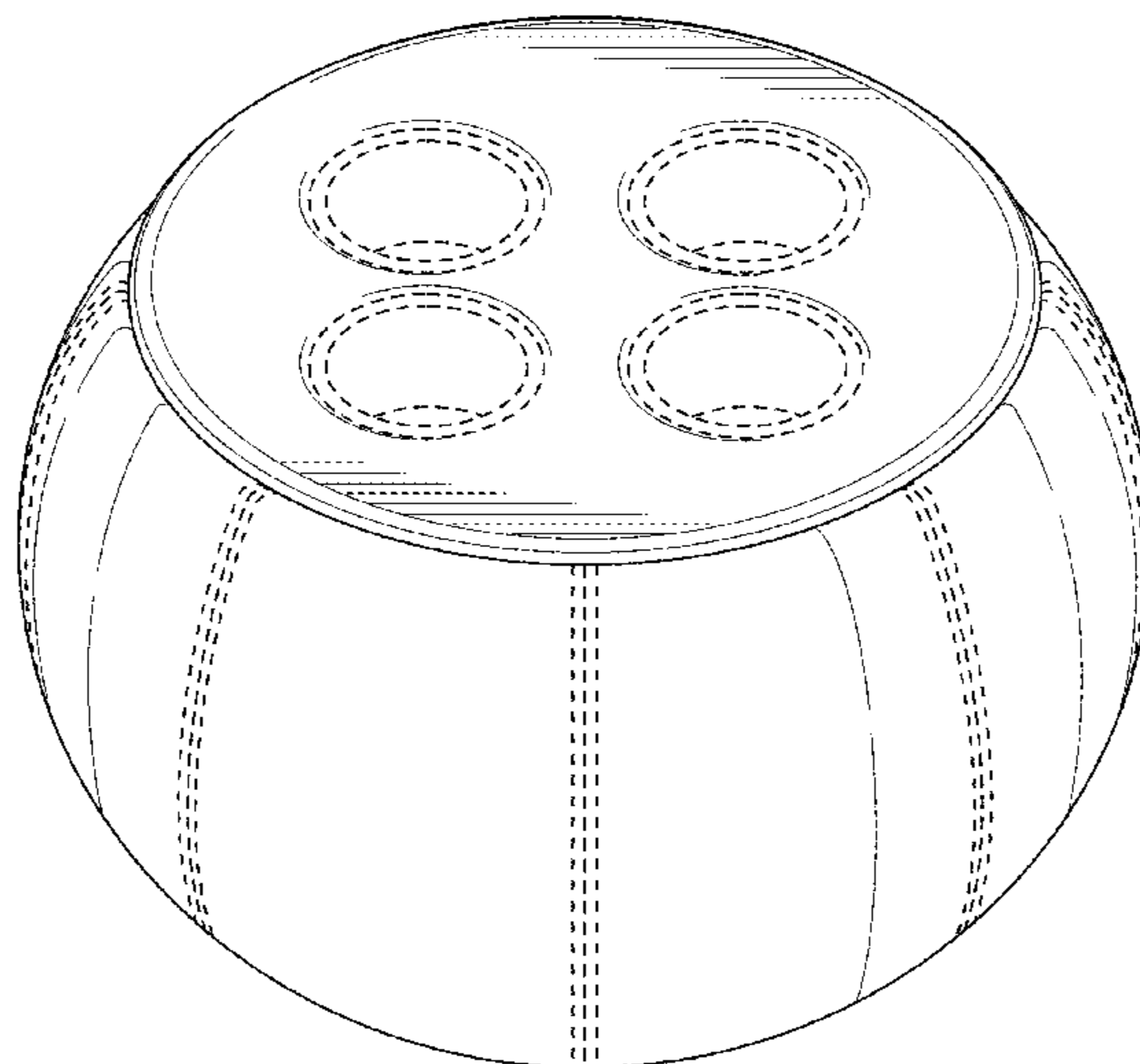
The ornamental design for a bean bag footrest/table, as shown and described.

**DESCRIPTION**

FIG. 1 is a top isometric view of a bean bag footrest/table; FIG. 2 is a bottom isometric view of the bean bag footrest/table of FIG. 1; FIG. 3 is a top or bottom view of the bean bag footrest/table of FIG. 1; and, FIG. 4 is a side view of the bean bag footrest/table of FIG. 1.

The broken lines shown in FIGS. 1-4 depict portions of the bean bag footrest/table that form no part of the claimed design.

**1 Claim, 3 Drawing Sheets**



(56)

**References Cited**

U.S. PATENT DOCUMENTS

D772,590 S \* 11/2016 Itzhak-Sigron ..... D6/352  
D789,723 S \* 6/2017 Walser ..... D6/716.1

OTHER PUBLICATIONS

Magnolia Handwoven 100% Wool Pouf. [online] Retrieved Sep. 6, 2017 from URL:[https://gdfstudio.com/products/magnolia-handwoven-100-wool-pouf?utm\\_medium=cpc&utm\\_source=googlepla&variant=31917809234&gclid=EAlalQobChMlvcCko-aQ1gIVhkwNCh05UgQCEAQYBSABEgKaovD\\_BwE](https://gdfstudio.com/products/magnolia-handwoven-100-wool-pouf?utm_medium=cpc&utm_source=googlepla&variant=31917809234&gclid=EAlalQobChMlvcCko-aQ1gIVhkwNCh05UgQCEAQYBSABEgKaovD_BwE).\*

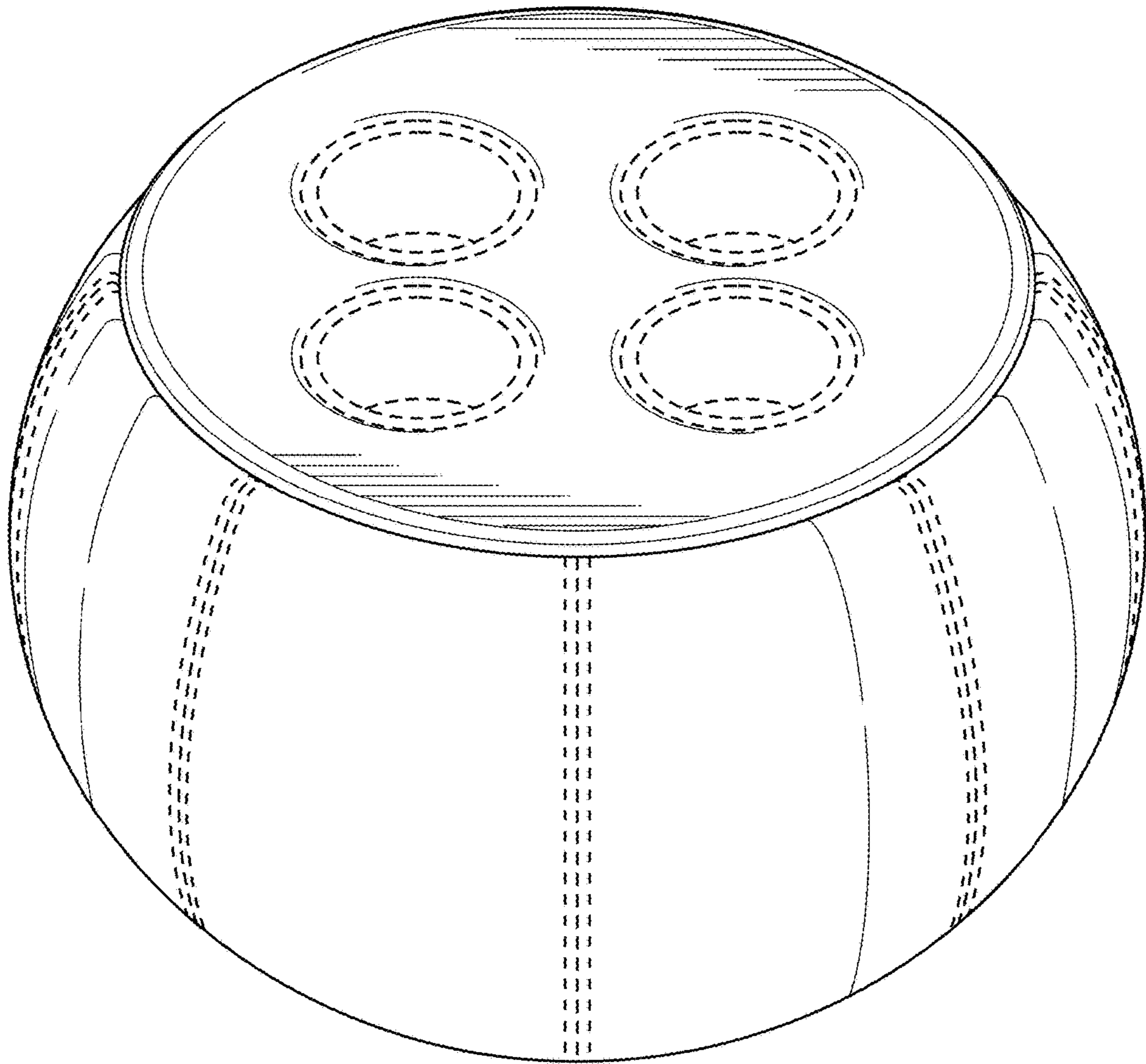
Furniture Outside Arper Kauai Restaurant. [online] Retrieved Sep. 6, 2017 from URL:[https://www.arper.com/us/en/spaces/kauai-restaurant\\_2](https://www.arper.com/us/en/spaces/kauai-restaurant_2).\*

“World’s First Stable Table Bean Bag,” Versa Table Bean Bags, copyright 2013-2016. Accessed on the Internet Sep. 7, 2016 URL:<<http://www.ambientlounge.com/bean-bags/gold-class-bean-bags-/versa-table-bean-bags.html>> (2 pages).

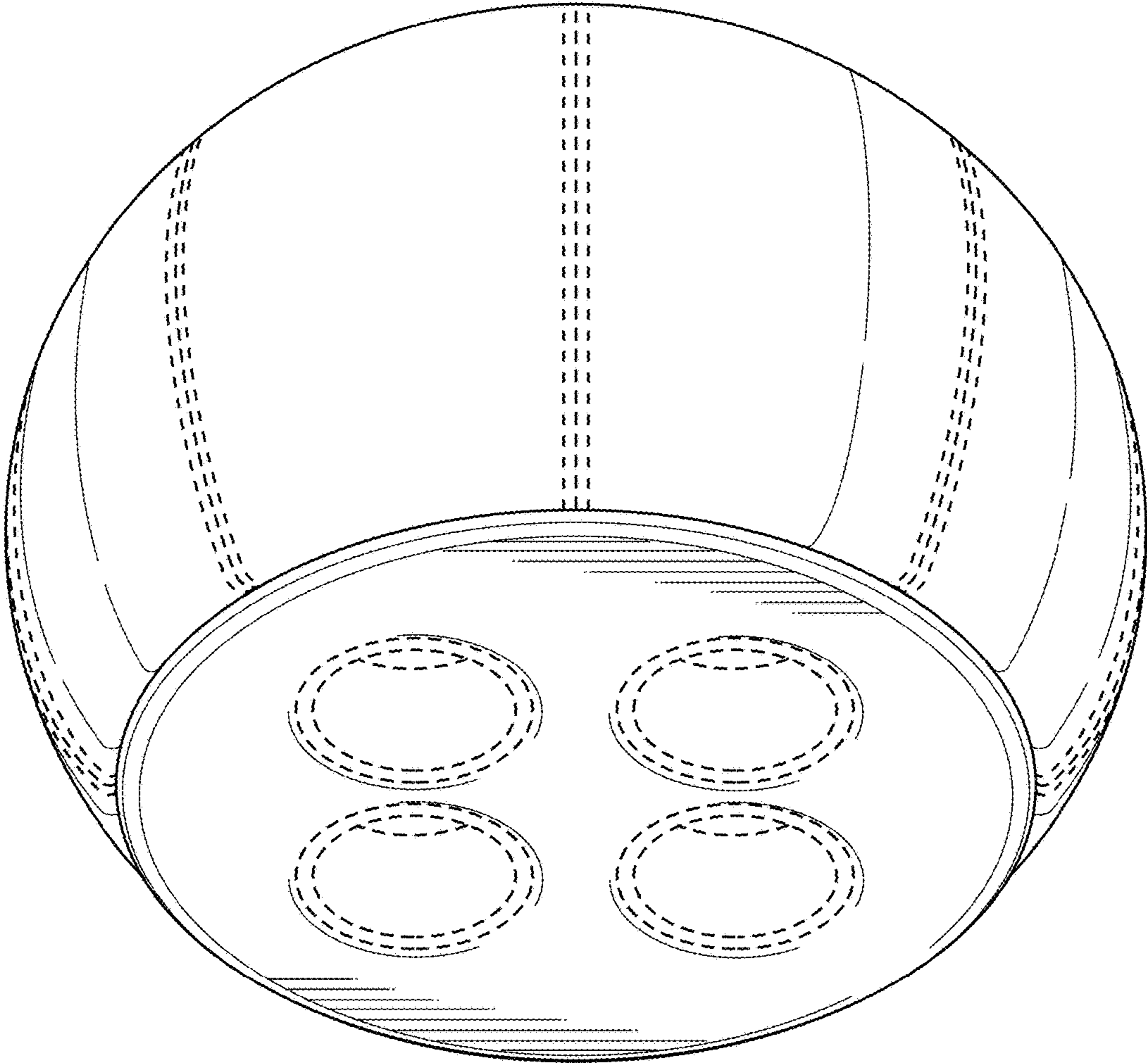
“Waterproof Bean Bag Cup Holder Recliner Sofa Cup Holder,” Alibaba.com, copyright 1999-2016. Accessed on the Internet Sep. 7, 2016 URL:<[https://www.alibaba.com/product-detail/waterproof-bean-bag-cup-holder-recliner\\_60051380496.html?spm=a2700.7724838.0.0.cQE75p](https://www.alibaba.com/product-detail/waterproof-bean-bag-cup-holder-recliner_60051380496.html?spm=a2700.7724838.0.0.cQE75p)> (1 page).

\* cited by examiner

**Fig. 1**

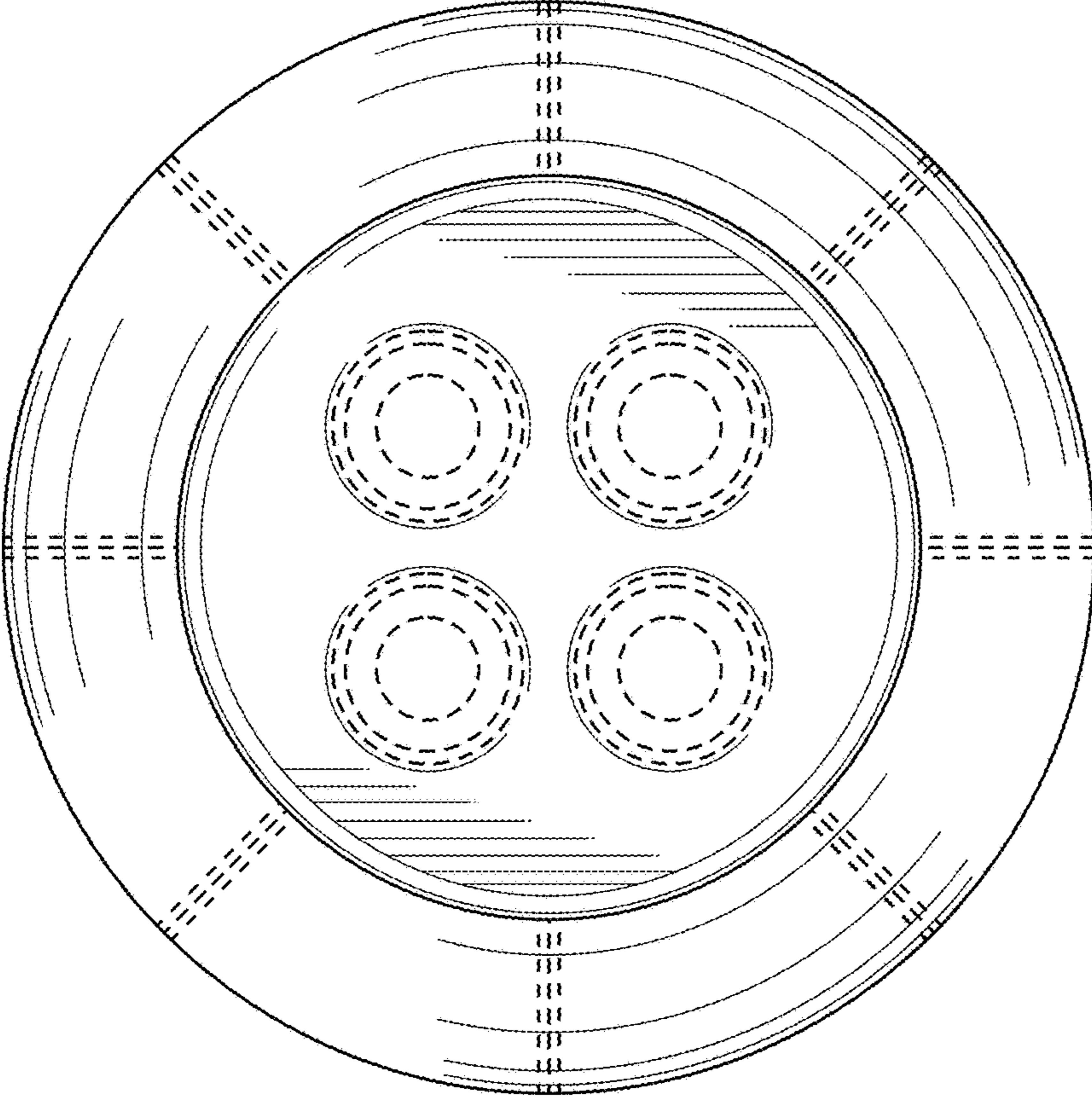


**Fig. 2**





**Fig. 3**



**Fig. 4**

