



US00D818729S

(12) **United States Design Patent** (10) **Patent No.:** **US D818,729 S**
Robinson (45) **Date of Patent:** **** May 29, 2018**

(54) **MEDITATION BENCH SEAT**
(71) Applicant: **Sean Robinson**, Ridgway, PA (US)
(72) Inventor: **Sean Robinson**, Ridgway, PA (US)
(**) Term: **15 Years**
(21) Appl. No.: **29/582,759**
(22) Filed: **Oct. 31, 2016**

Related U.S. Application Data

(63) Continuation-in-part of application No. 29/527,584, filed on May 20, 2015, now abandoned.
(51) **LOC (11) Cl.** **06-01**
(52) **U.S. Cl.**
USPC **D6/349**
(58) **Field of Classification Search**
USPC D6/349-353, 360, 364-367, 691-691.9, D6/692-692.6
CPC A47B 7/00; A47B 7/02; A47B 9/00; A47B 13/02; A47B 23/00; A47B 39/00; A47C 7/002; A47C 7/18; A47C 3/18; A47C 9/007; A47C 9/10; A47C 11/00; A47C 12/00; A47C 13/00
See application file for complete search history.

(56) **References Cited**

U.S. PATENT DOCUMENTS

177,025 A * 5/1876 Smith A45B 5/00 135/66
D200,412 S * 2/1965 Carr D6/692
D234,932 S * 4/1975 Burke et al. D6/692.3
D249,300 S * 9/1978 Szabo D6/366
D296,400 S * 6/1988 Conn D6/692
D367,369 S * 2/1996 Lovegrove D6/349
D482,909 S * 12/2003 Neggers D6/692.3
D556,474 S * 12/2007 Good D6/692
D557,909 S * 12/2007 LaSorsa D6/349

D558,472 S * 1/2008 Linton D6/349
D585,669 S * 2/2009 Gharabegian D6/692.4
D601,829 S * 10/2009 Lim D6/716.1
D613,082 S * 4/2010 Peel D6/349
D664,792 S * 8/2012 Gustafson D6/692.3
D669,282 S * 10/2012 Yamamoto D6/691.6
D743,724 S * 11/2015 Robinson D6/709
D793,134 S * 8/2017 Nigro D6/692
2017/0276159 A1 * 9/2017 Robinson F16B 12/52

OTHER PUBLICATIONS

Danish Style 65cm Solid Timber Wooden Bar Stool, Oval Scoop Seat. [online] Retrieved Jun. 21, 2016 from URL: <https://www.ebay.com/itm/Danish-Style-65cm-Solid-Timber-Wooden-Bar-Stool-Oval-Scoop-Seat-Free-Delivery-/291321889634?hash=item43d4234362&nma=true&s>.*

(Continued)

Primary Examiner — Vy N Koenig

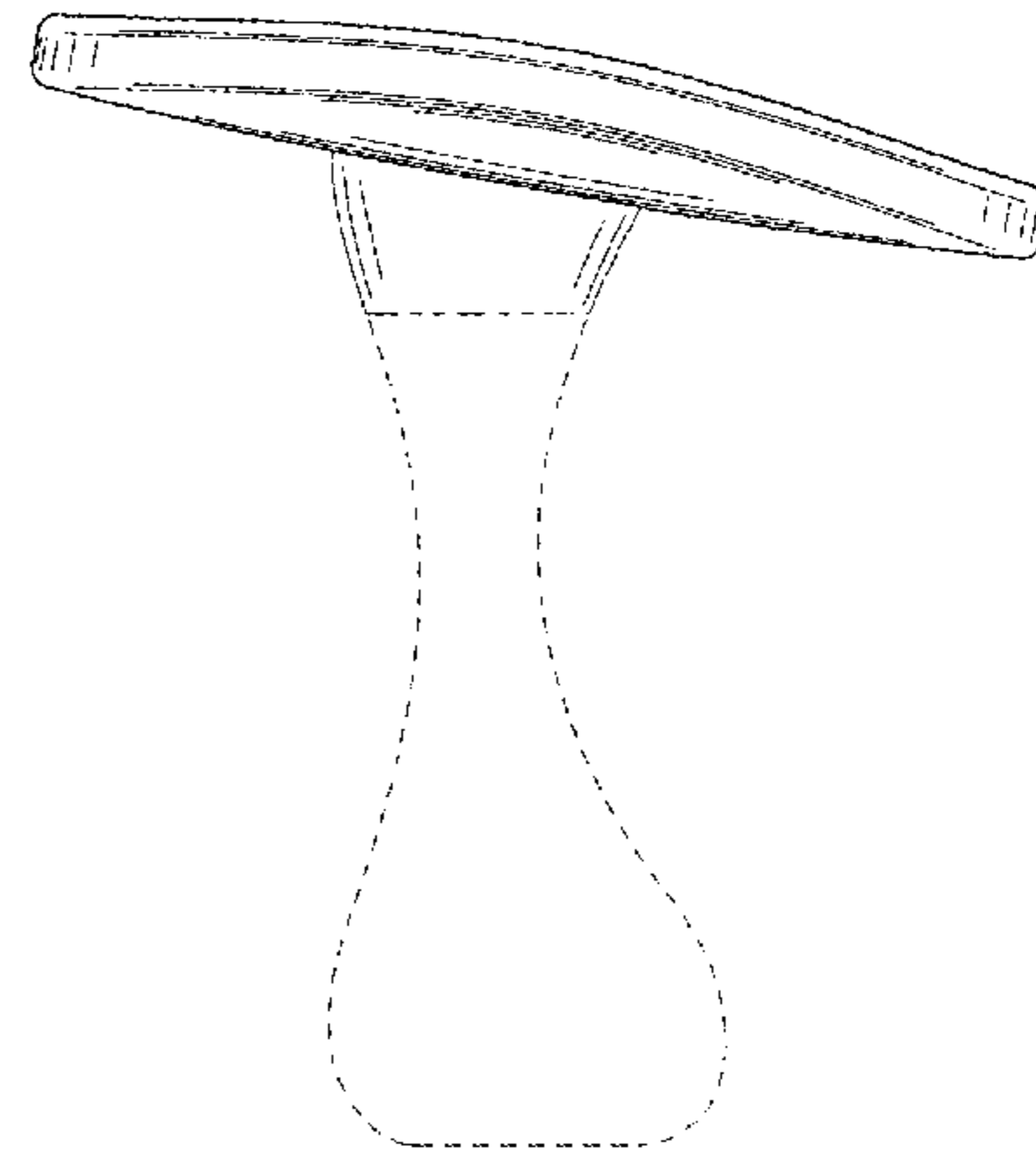
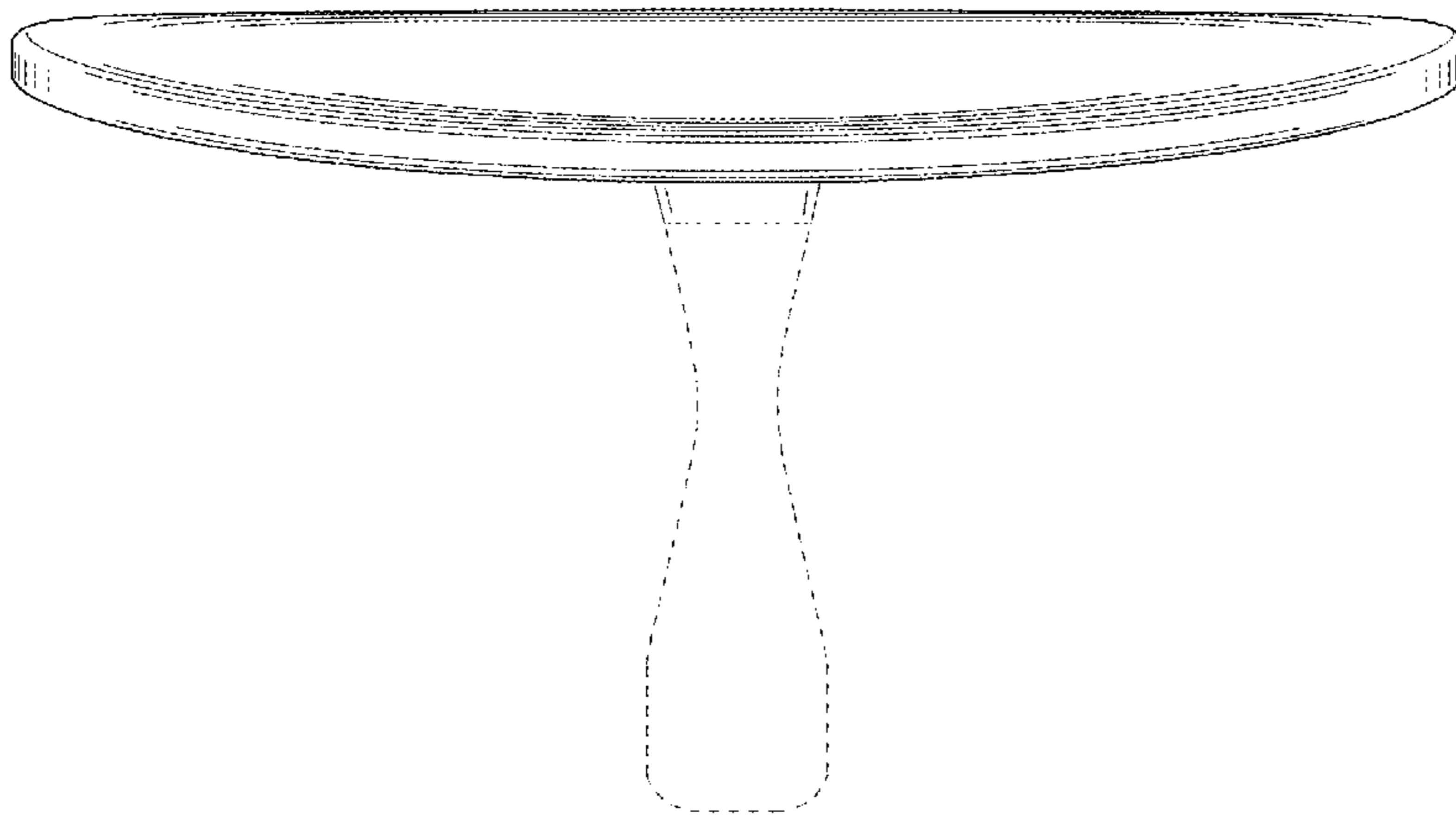
(57) **CLAIM**

The ornamental design for a meditation bench seat, as shown and described.

DESCRIPTION

FIG. 1 is a top and front perspective view of a meditation bench seat;
FIG. 2 is a front elevation view thereof;
FIG. 3 is a rear elevation view thereof;
FIG. 4 is a left side elevation view thereof, the right side elevation view being a mirror image thereof;
FIG. 5 is a top plan view thereof; and,
FIG. 6 is a bottom plan view thereof.
The evenly spaced broken lines shown in the drawings illustrate portions of the meditation bench seat that form no part of the claimed design, while the remaining dash-dot-dash broken lines represent the bounds of the claimed design.

1 Claim, 3 Drawing Sheets



(56)

References Cited

OTHER PUBLICATIONS

Simplysitting, the evolution of the meditation bench. [online] Published on Jan. 16, 2007. Retrieved Oct. 30, 2017 from URL:<http://www.simplysitting.com/>.*

Wooden meditation seat Creative Woodworks. [online] Published on Apr. 17, 2017. Retrieved Oct. 30, 2017 from URL:<http://www.creative-woodworks.eu/meditation-furniture/wooden-meditation-seat/>.*

* cited by examiner

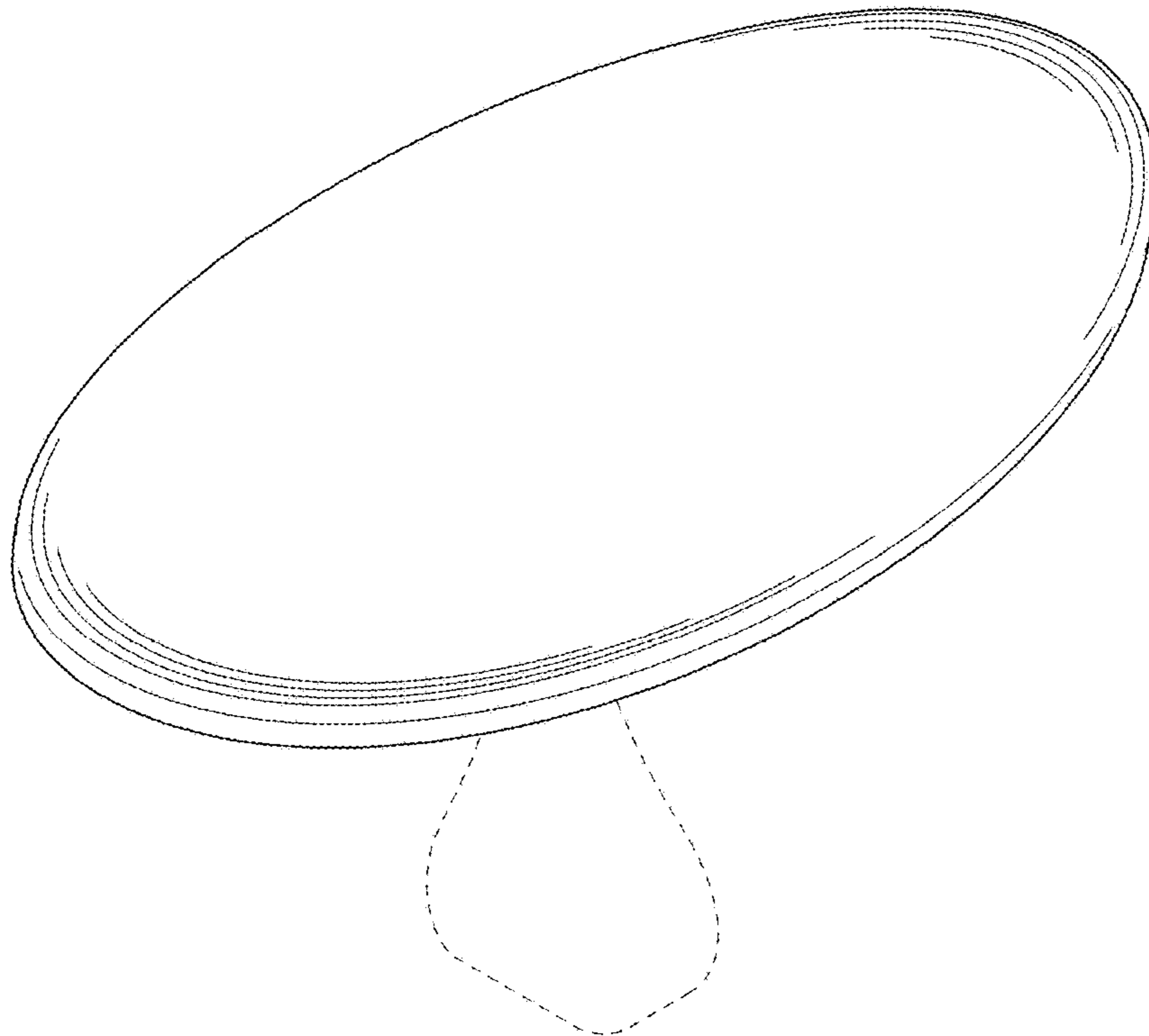


FIG. 1

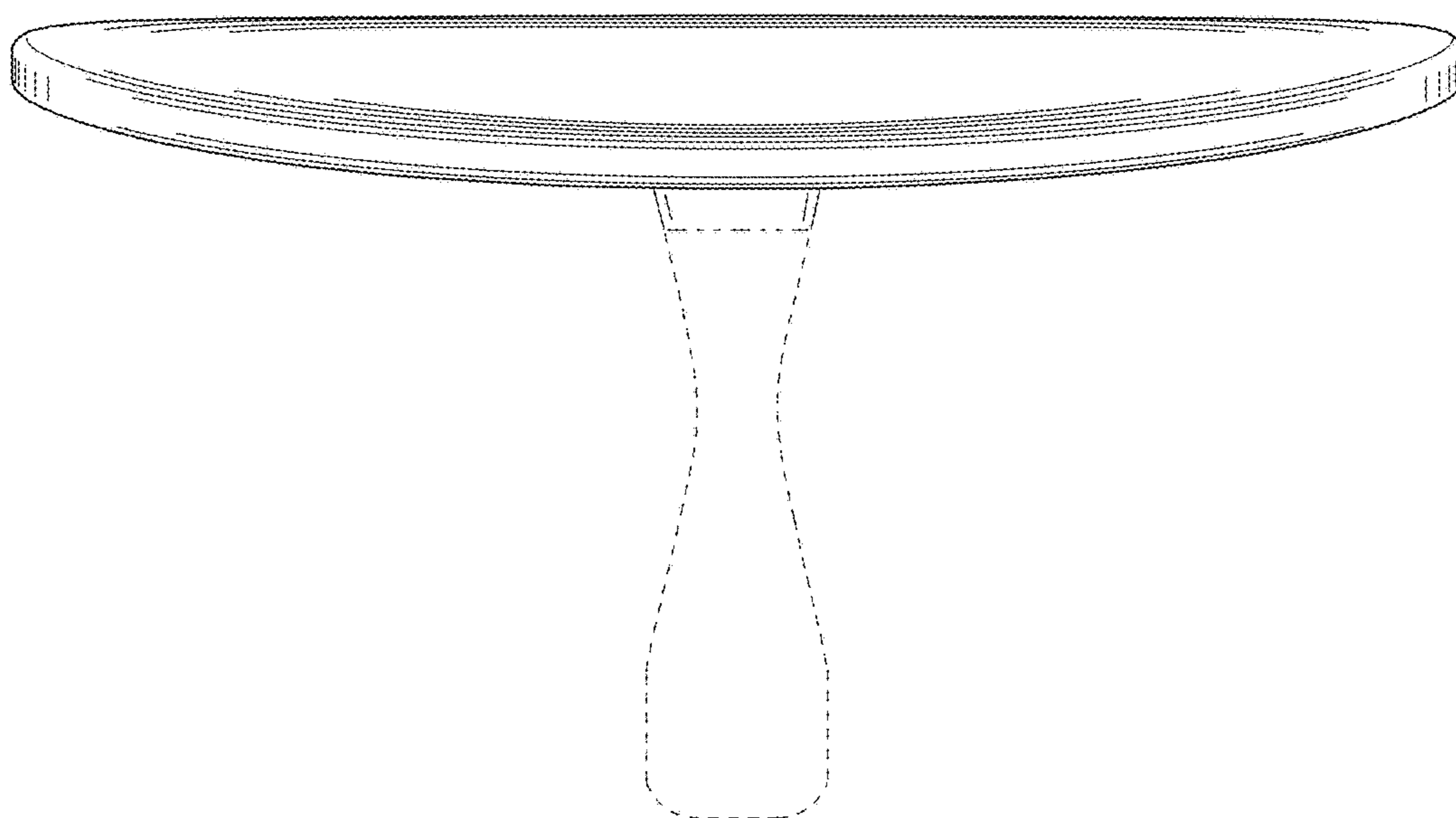


FIG. 2

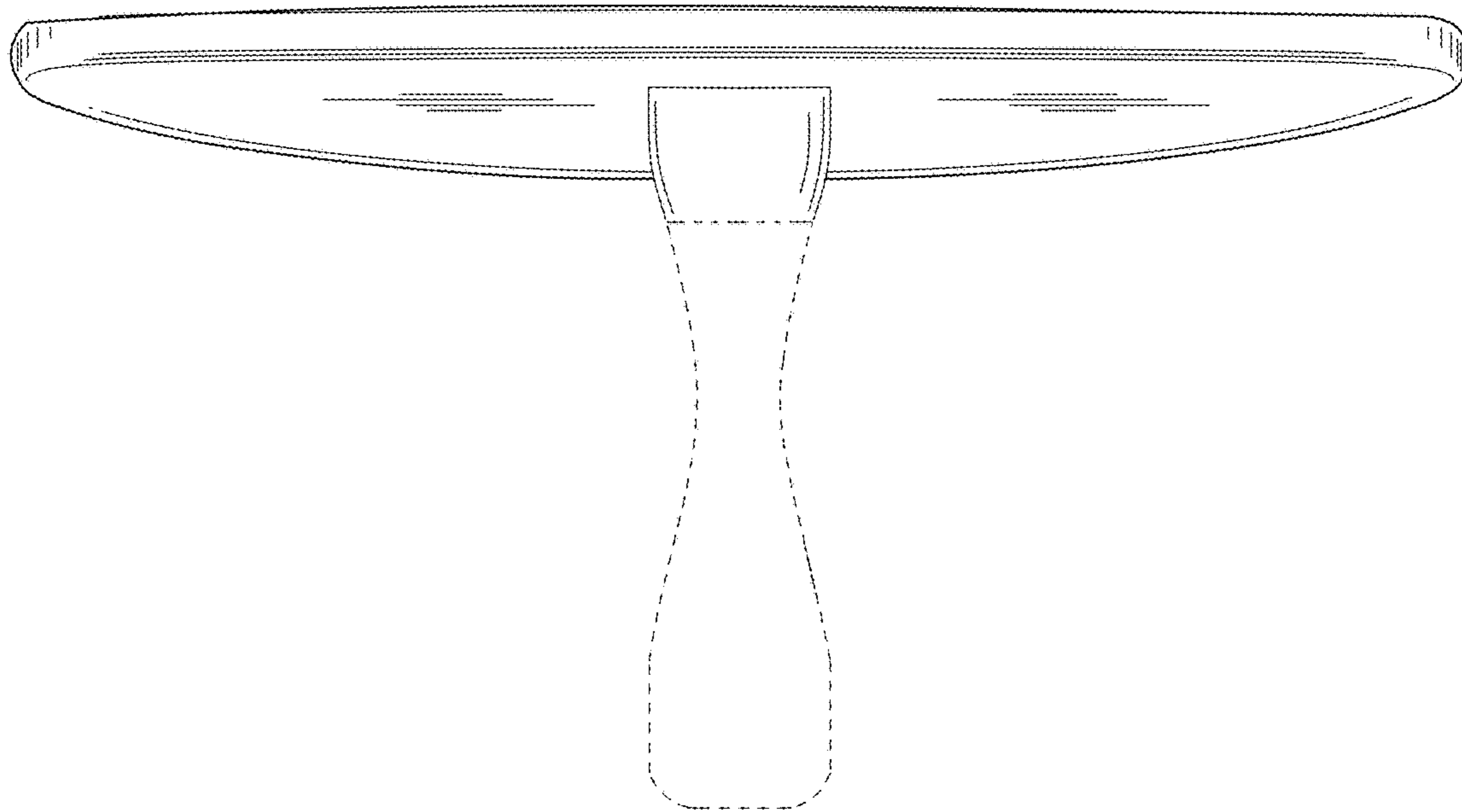


FIG. 3

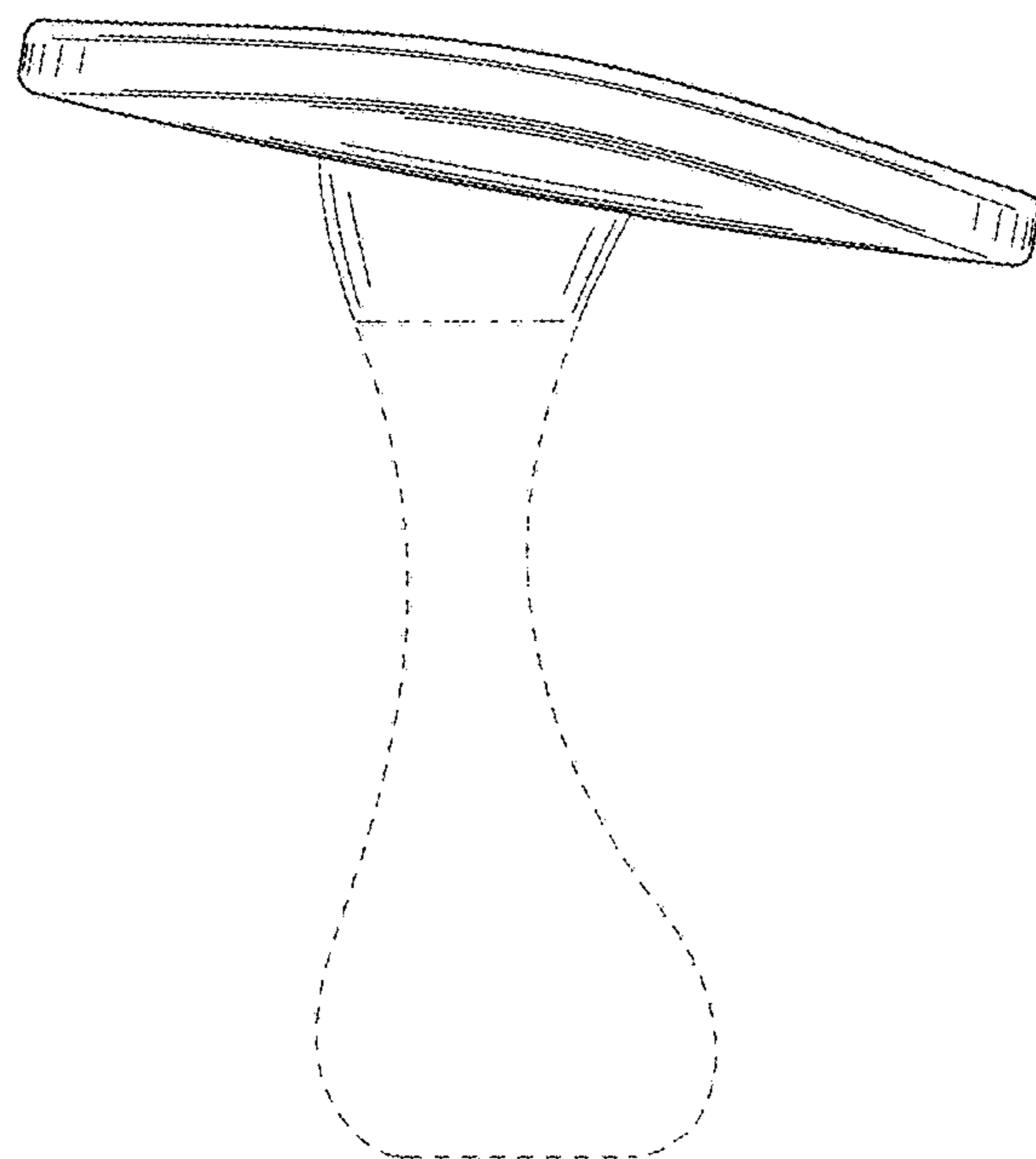


FIG. 4

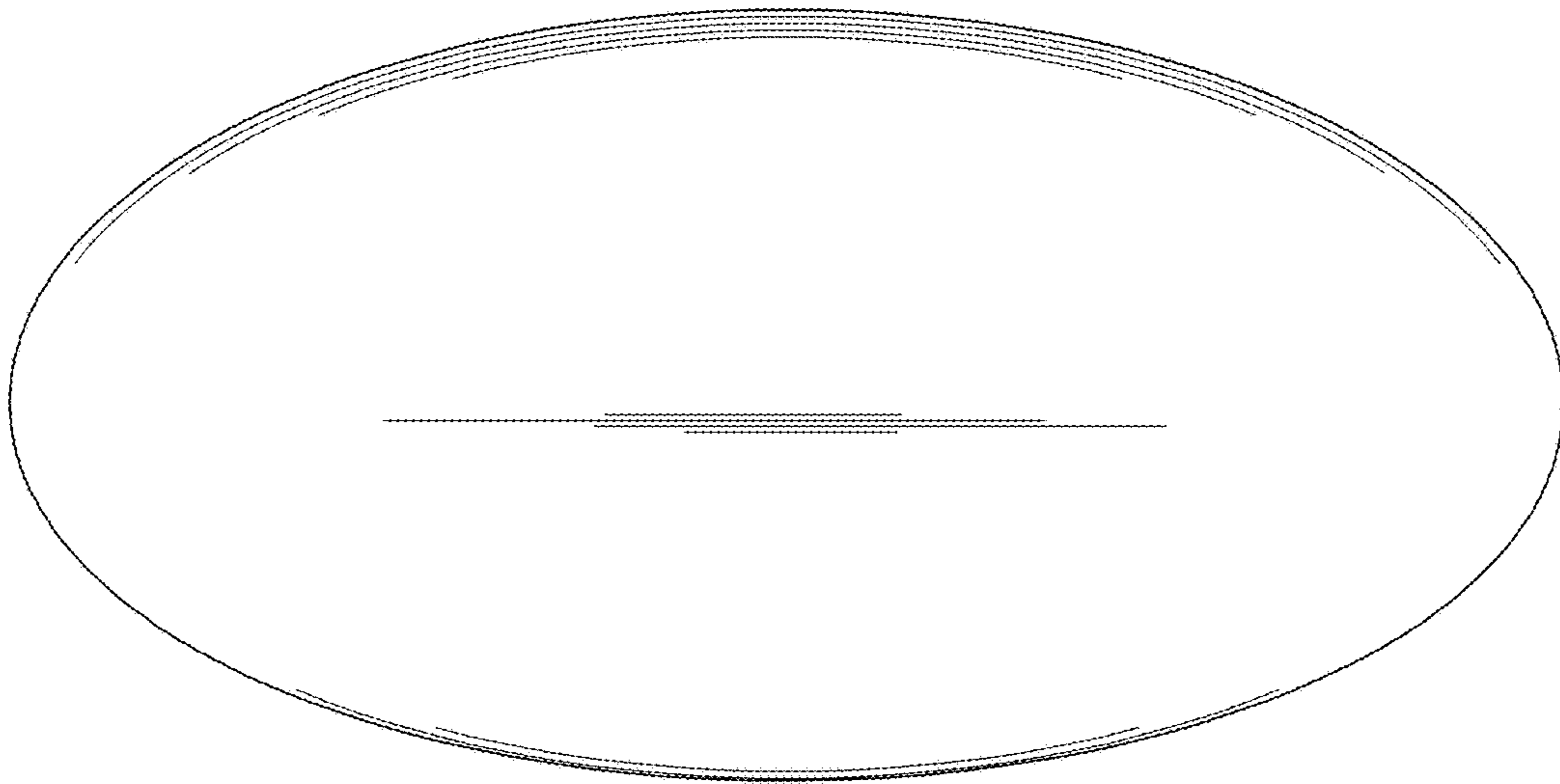


FIG. 5

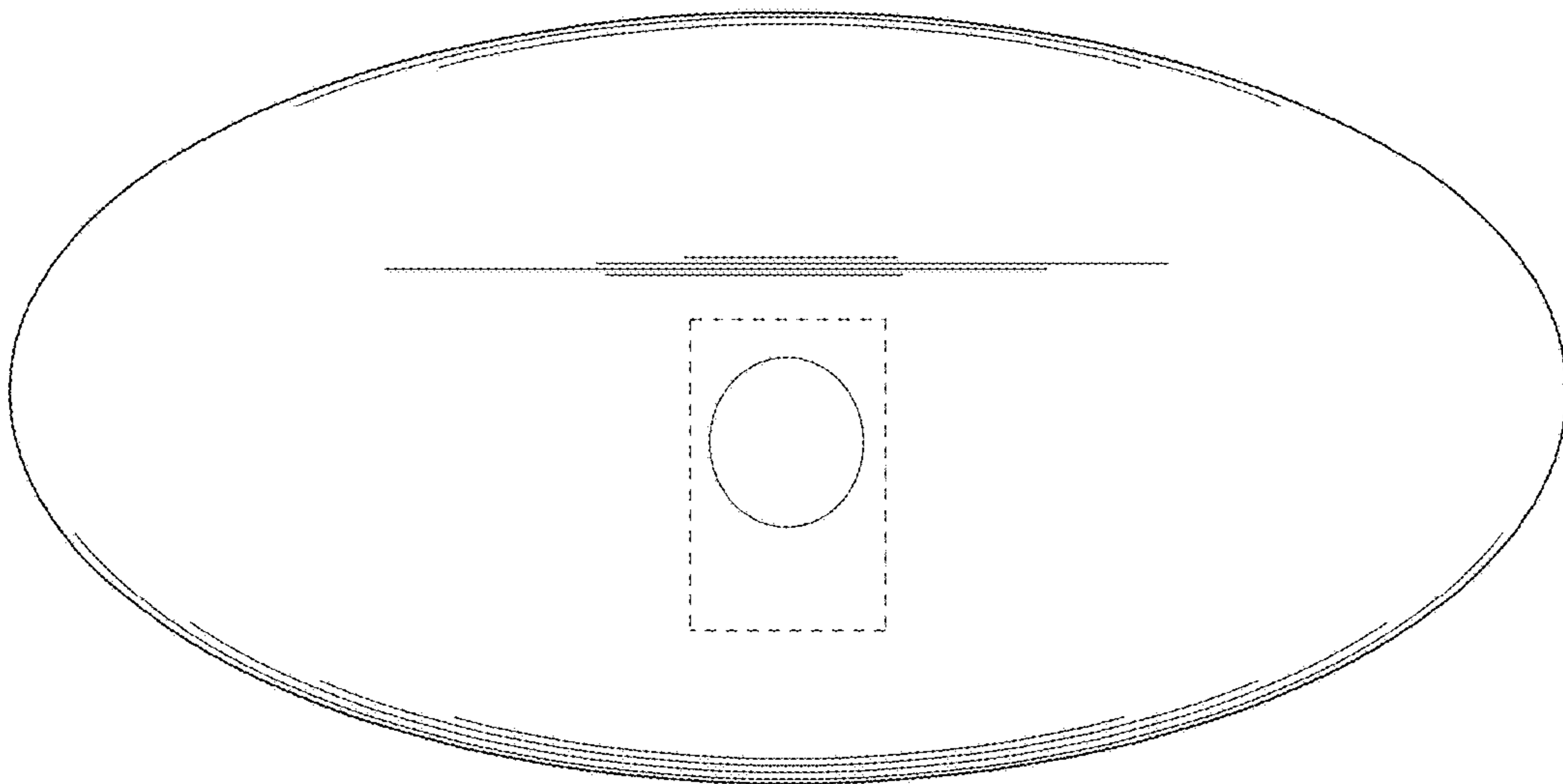


FIG. 6