



US00D818728S

(12) **United States Design Patent**
Zhang

(10) **Patent No.:** **US D818,728 S**

(45) **Date of Patent:** **** May 29, 2018**

- (54) **SWING**
- (71) Applicant: **Jian Zhang**, Guangdong (CN)
- (72) Inventor: **Jian Zhang**, Guangdong (CN)
- (73) Assignee: **Shenzhen Wenjian Science and Technology Development Co., Ltd.**, Shenzhen, Guangdong (CN)
- (**) Term: **15 Years**
- (21) Appl. No.: **29/599,096**
- (22) Filed: **Mar. 31, 2017**
- (51) **LOC (11) Cl.** **06-01**
- (52) **U.S. Cl.**
USPC **D6/347**
- (58) **Field of Classification Search**
USPC D6/344, 345, 346, 347, 348, 349, 715, D6/716, 718.1, 718.11, 716.1, 385, 386, D6/358, 388, 369, 381
CPC ... A63G 9/00; A63G 9/02; A63G 9/04; A63G 9/14; A47C 3/0255; A47C 5/02
See application file for complete search history.

- 6,383,085 B1 * 5/2002 Tseng A47C 3/0255
297/184.15
- 6,402,233 B1 * 6/2002 Tseng A47C 3/0255
297/184.1
- 6,508,444 B1 * 1/2003 Tseng A47C 3/0255
135/124
- D488,312 S * 4/2004 Liu D6/344
- D492,129 S * 6/2004 Noll D6/344
- D496,800 S * 10/2004 Pauschitz D6/344
- 6,827,650 B1 * 12/2004 Tseng A47C 1/03238
297/320
- 6,857,701 B1 * 2/2005 Liu A47C 17/175
297/281
- D706,043 S * 6/2014 Zhou D6/347
- 2002/0185896 A1 * 12/2002 Tseng A47C 3/0255
297/184.15
- 2009/0236886 A1 * 9/2009 Tseng A47C 3/0255
297/281
- 2012/0178543 A1 * 7/2012 Monachello A63G 9/12
472/118

* cited by examiner

Primary Examiner — Deanna L Pratt

(57) **CLAIM**

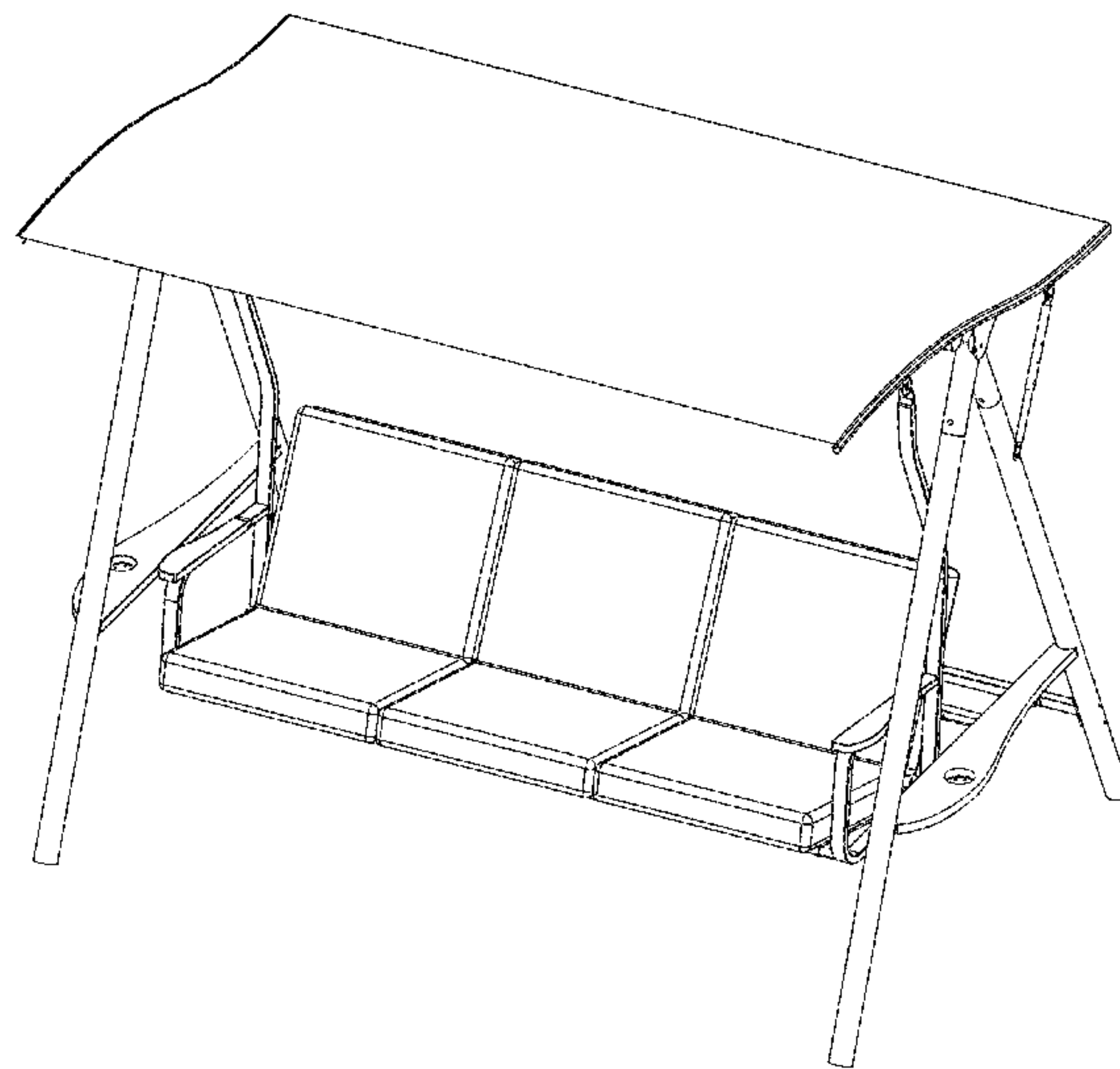
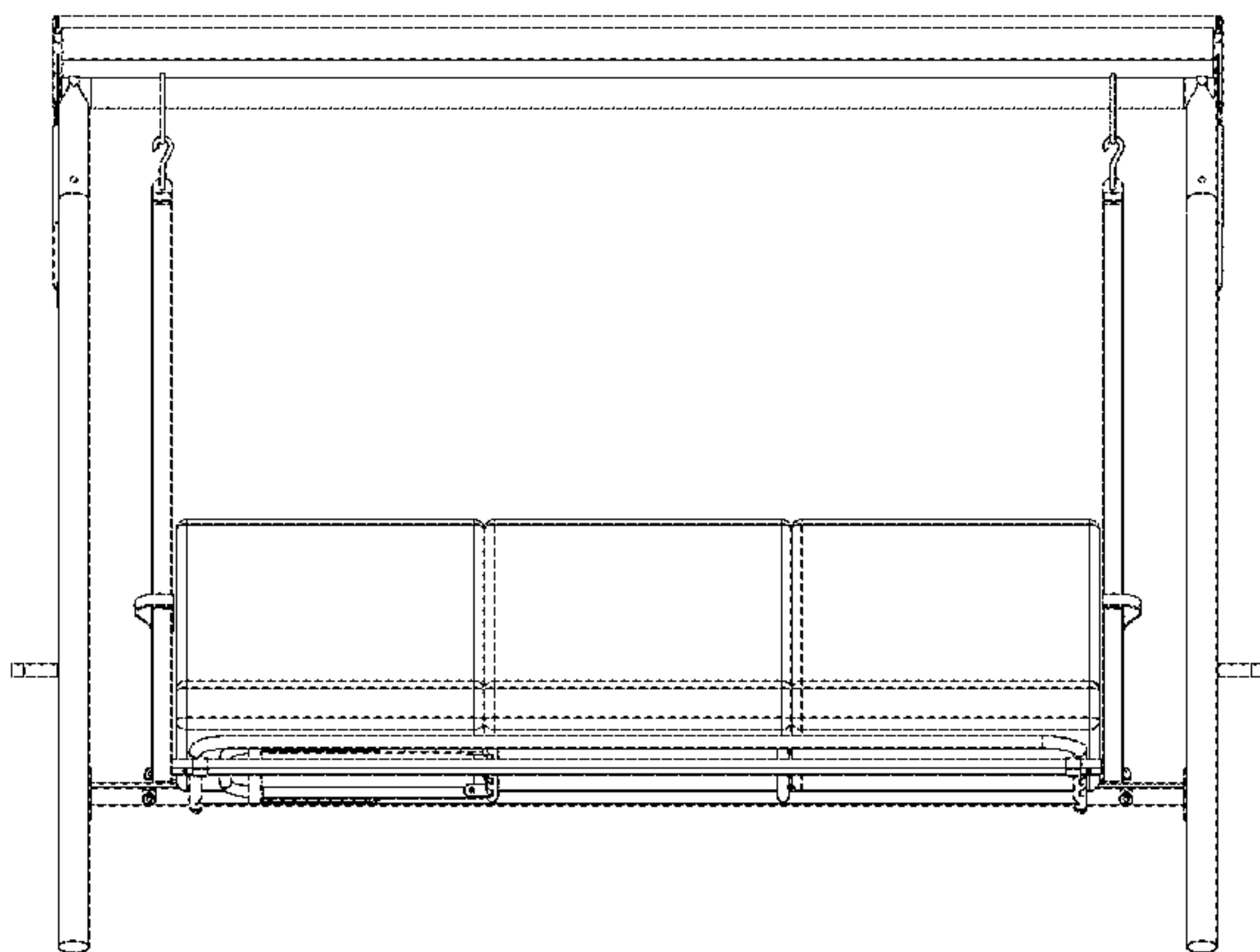
The ornamental design for swing, as shown and described.

DESCRIPTION

FIG. 1 is a front plan view thereof;
FIG. 2 is a back plan view thereof;
FIG. 3 is a left plan view thereof;
FIG. 4 is a right plan view thereof;
FIG. 5 is a top plan view thereof;
FIG. 6 is a bottom plan view thereof; and,
FIG. 7 is a perspective view thereof.

1 Claim, 7 Drawing Sheets

- (56) **References Cited**
U.S. PATENT DOCUMENTS
5,957,780 A * 9/1999 Grazioli A47C 17/16
297/354.13
D417,791 S * 12/1999 Liu D6/347
6,036,605 A * 3/2000 Tseng A47C 3/0255
297/281
D423,802 S * 5/2000 Tseng D6/344
6,348,005 B1 * 2/2002 Tseng A47C 3/0255
472/118



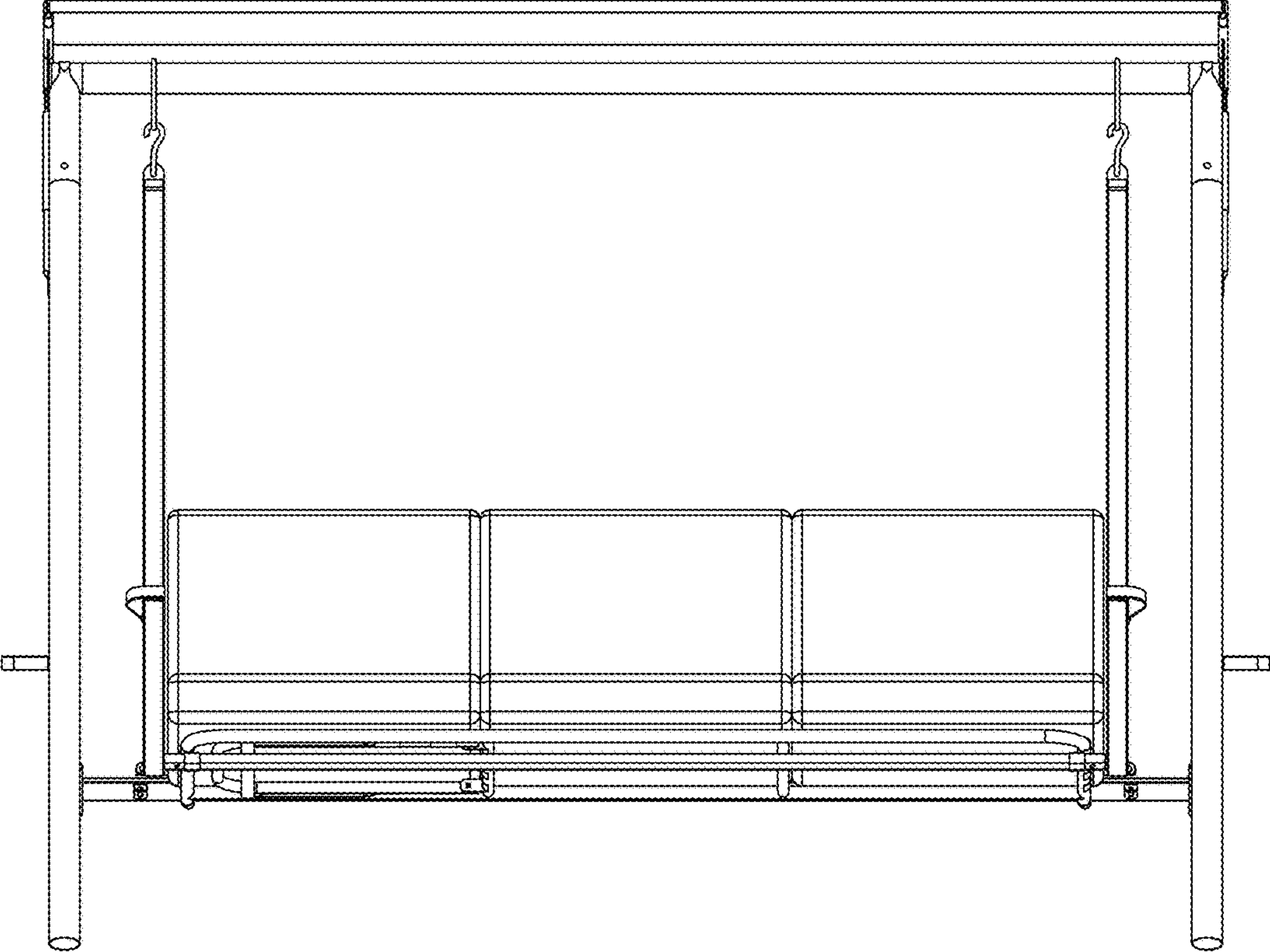


FIG.1

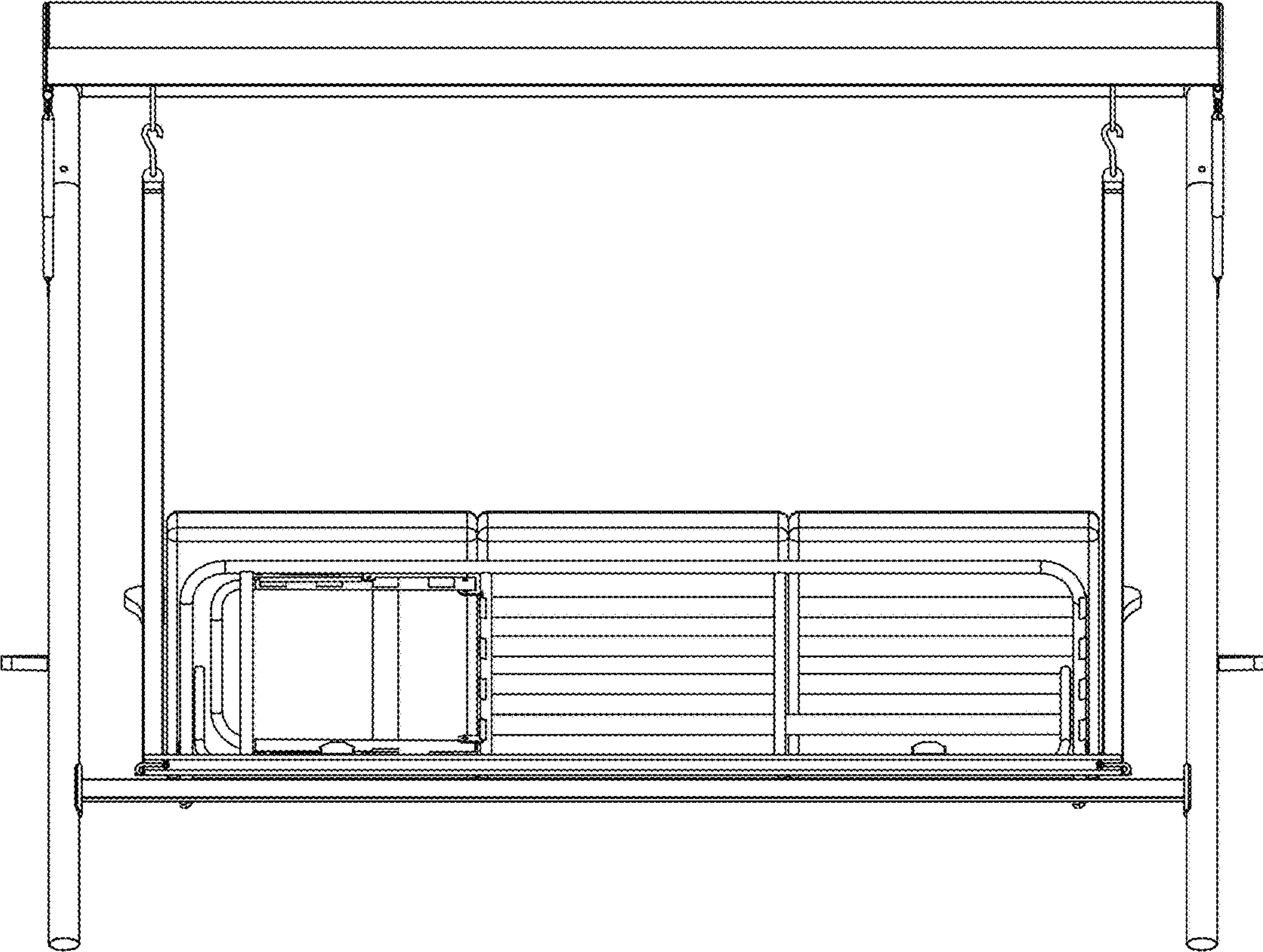


FIG.2

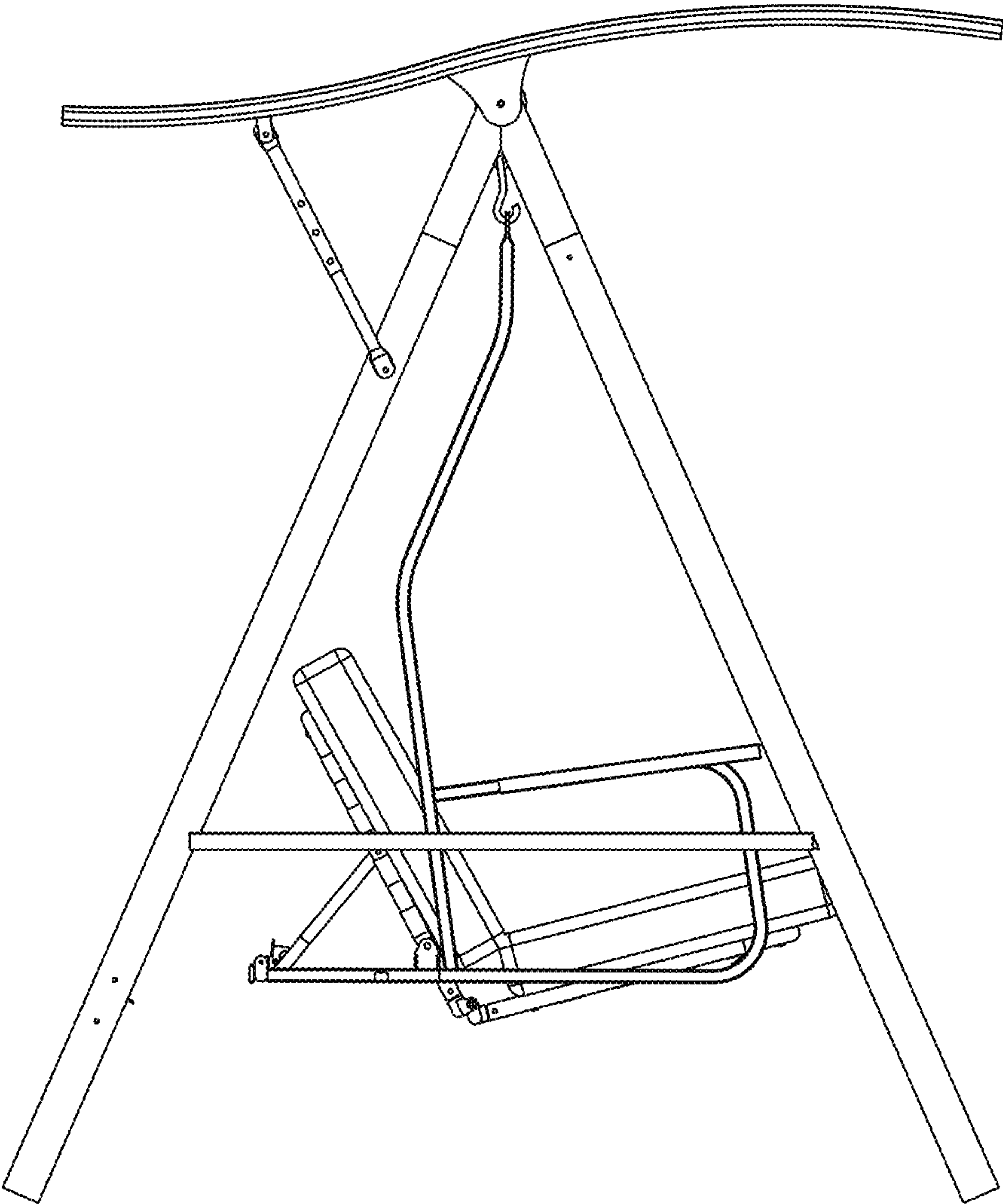


FIG.3

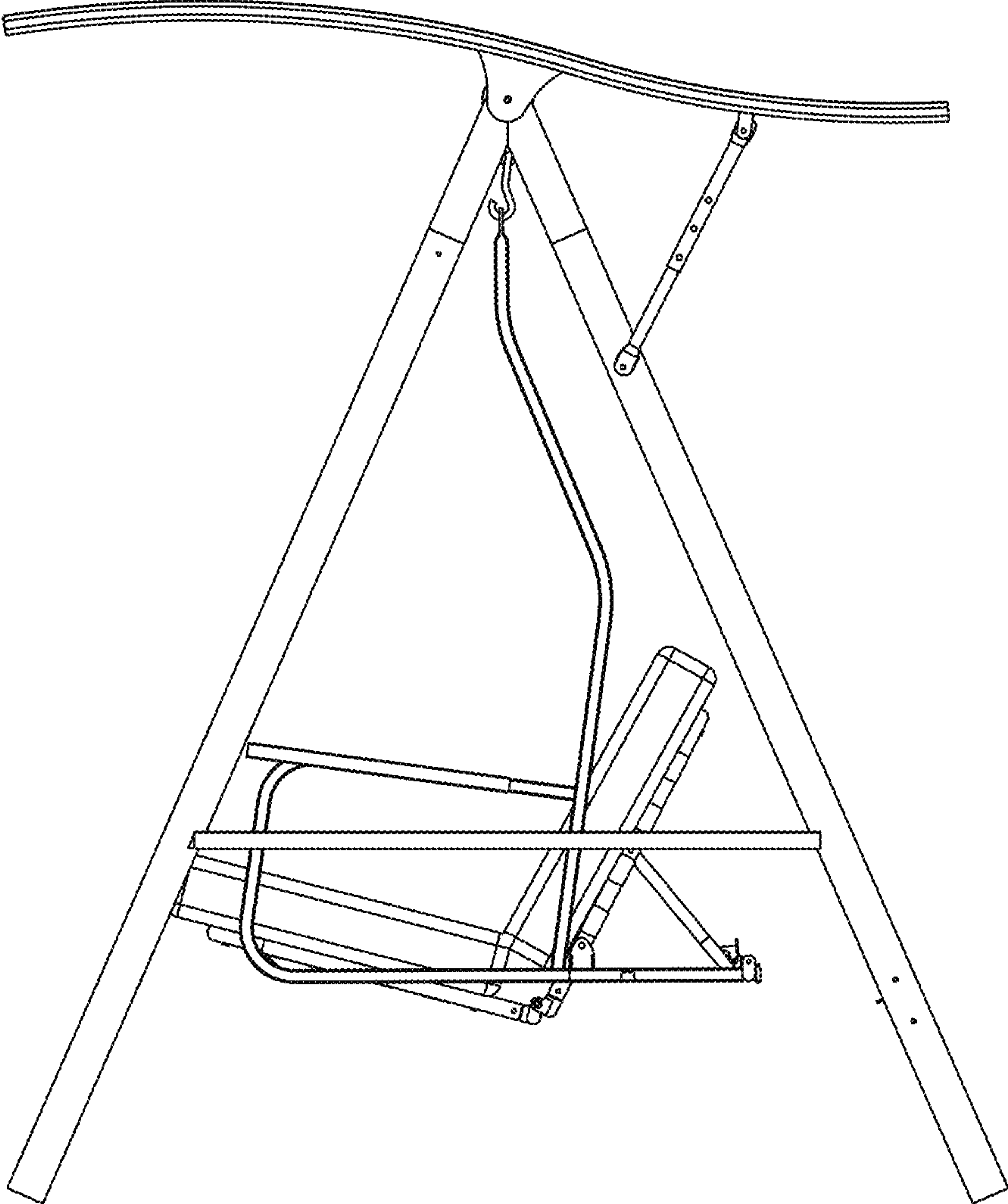


FIG. 4

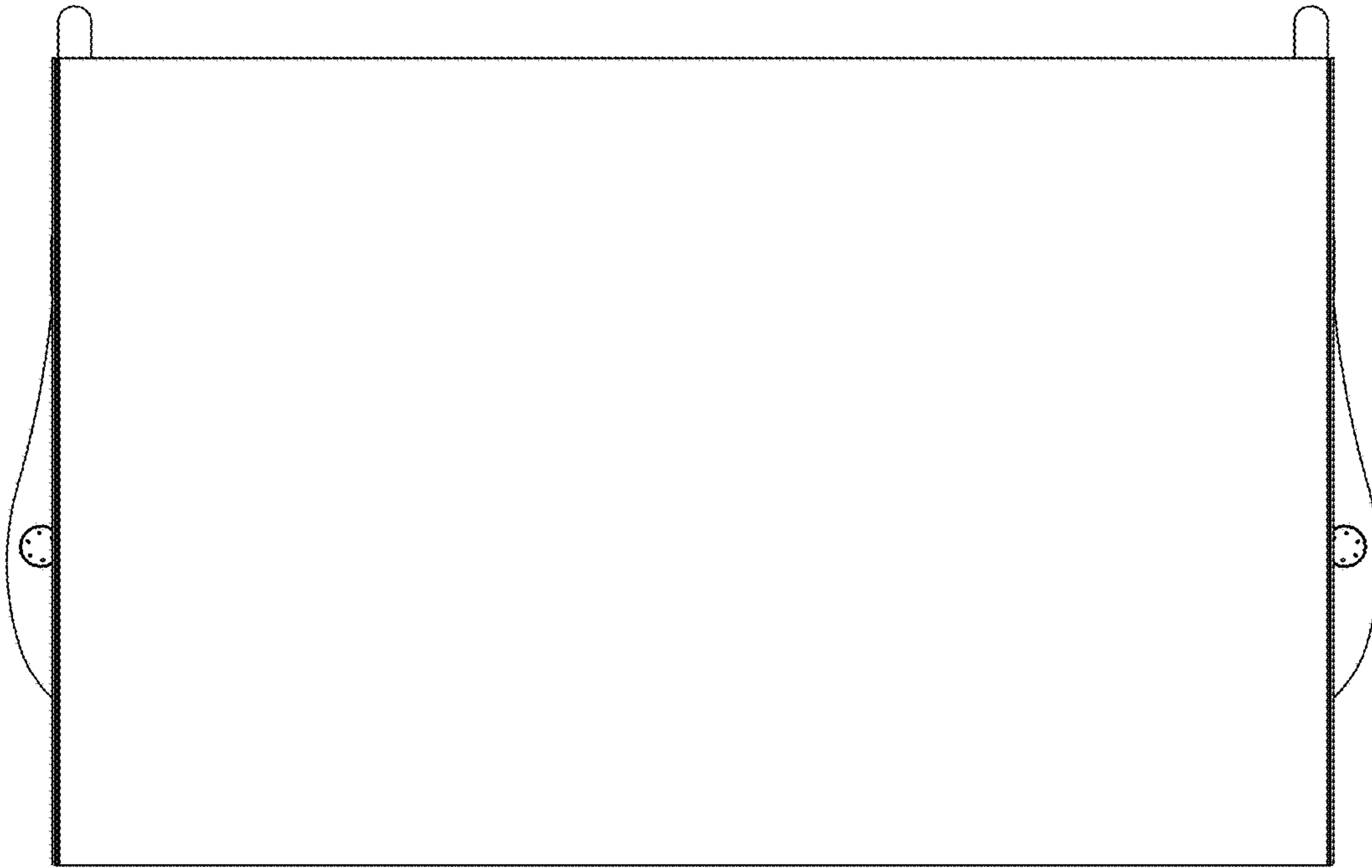


FIG.5

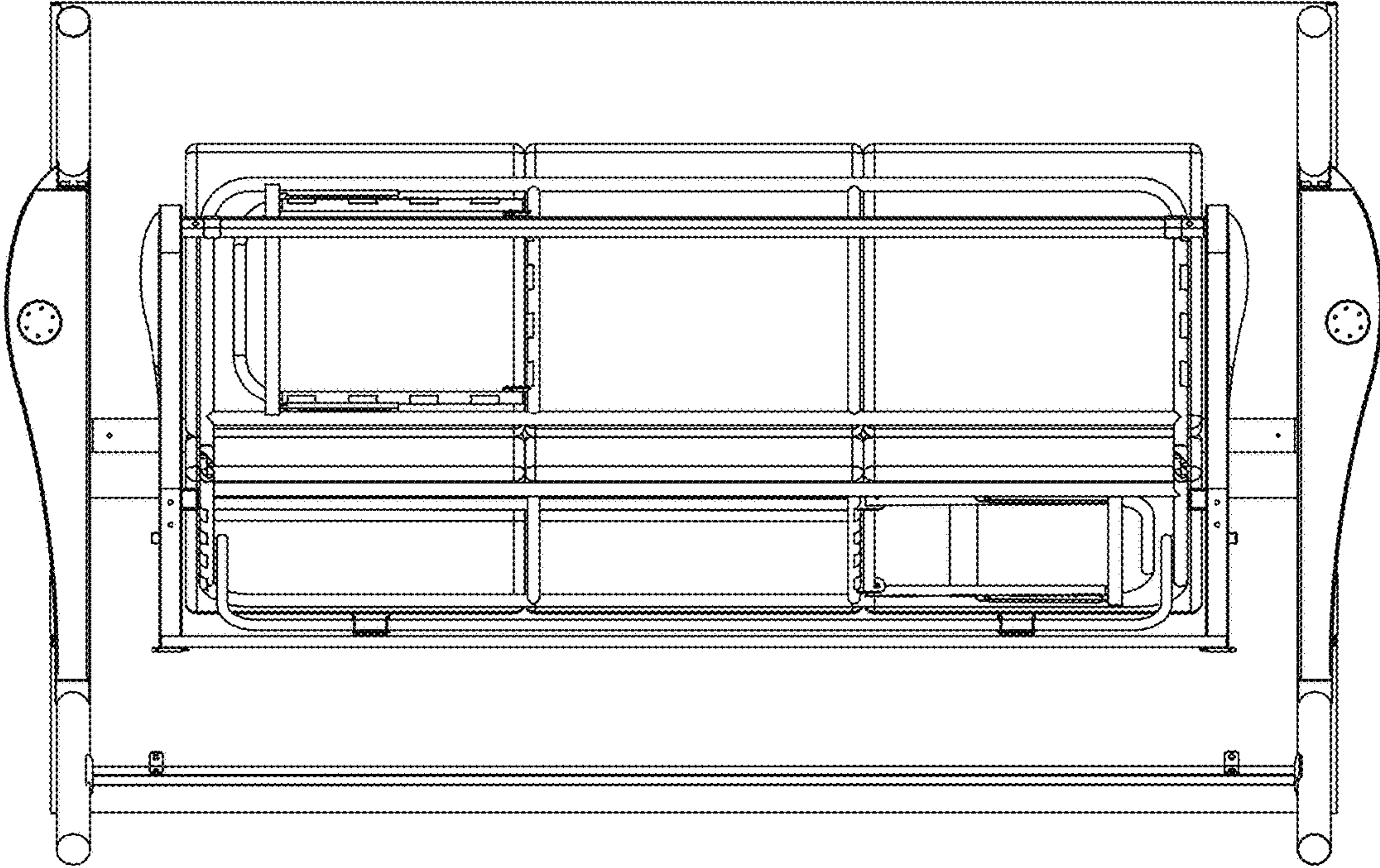


FIG.6

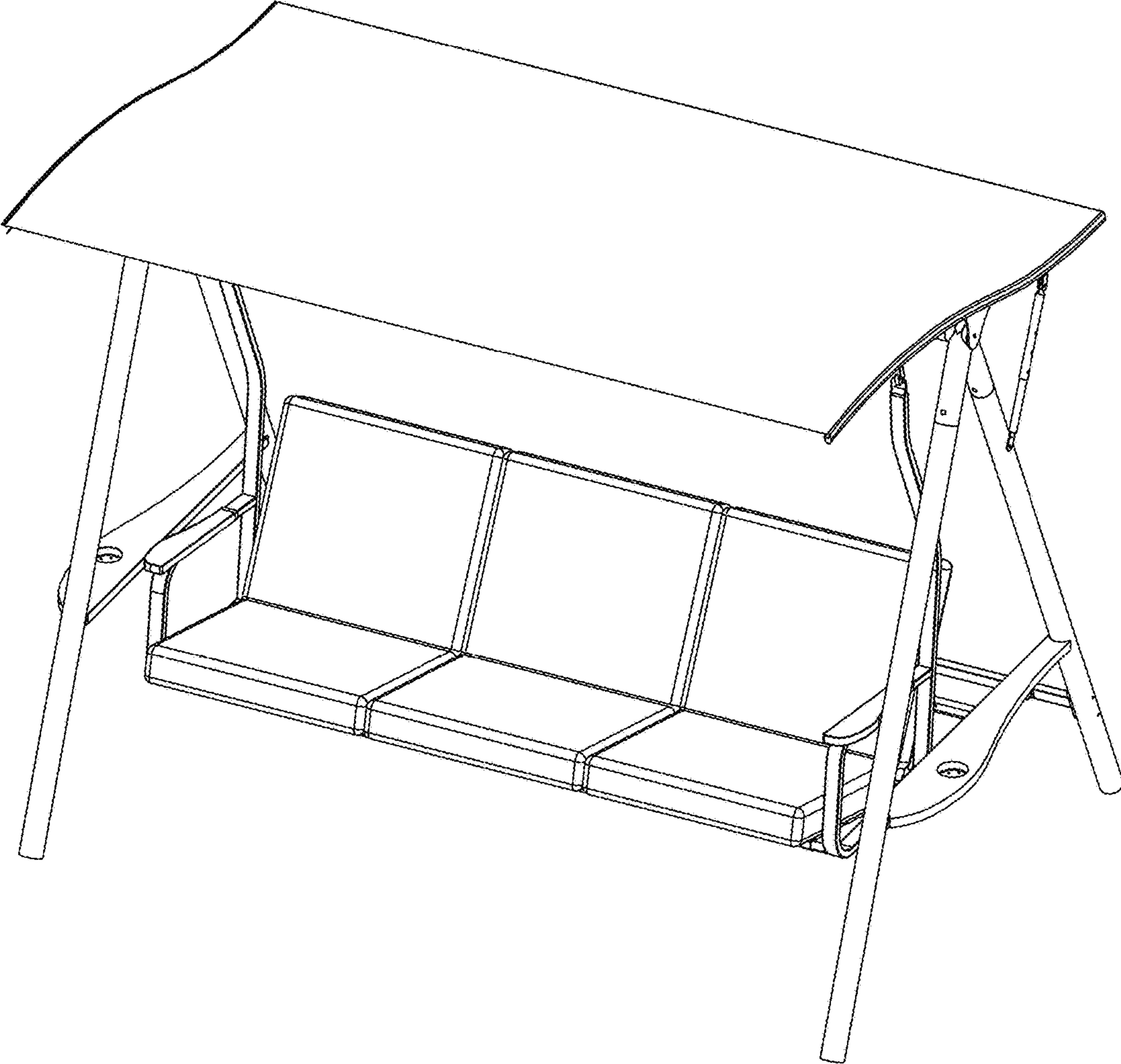


FIG. 7