



US00D818726S

(12) **United States Design Patent**
Zhang

(10) **Patent No.:** **US D818,726 S**
(45) **Date of Patent:** **** May 29, 2018**

(54) **SWING**

(71) Applicant: **Jian Zhang**, Shenzhen, Guangdong (CN)

(72) Inventor: **Jian Zhang**, Guangdong (CN)

(73) Assignee: **Shenzhen Wenjian Science and Technology Development Co., Ltd.**, Shenzhen, Guangdong (CN)

(**) Term: **15 Years**

(21) Appl. No.: **29/599,093**

(22) Filed: **Mar. 31, 2017**

(51) **LOC (11) Cl.** **06-01**

(52) **U.S. Cl.**
USPC **D6/347**

(58) **Field of Classification Search**
USPC D6/344, 345, 346, 347, 348, 349, 715, D6/716, 718.1, 718.11, 716.1, 385, 386, D6/358, 388, 369, 381
CPC ... A63G 9/00; A63G 9/02; A63G 9/04; A63G 9/14; A47C 3/0255; A47C 5/02
See application file for complete search history.

(56) **References Cited**

U.S. PATENT DOCUMENTS

5,957,780 A * 9/1999 Grazioli A47C 17/16
297/354.13

D417,791 S * 12/1999 Liu D6/347

6,036,605 A * 3/2000 Tseng A47C 3/0255
297/281

D423,802 S * 5/2000 Tseng D6/344

6,348,005 B1 * 2/2002 Tseng A47C 3/0255
472/118

6,383,085 B1 * 5/2002 Tseng A47C 3/0255
297/184.15

6,402,233 B1 * 6/2002 Tseng A47C 3/0255
297/184.1

6,508,444 B1 * 1/2003 Tseng A47C 3/0255
135/124

D488,312 S * 4/2004 Liu D6/344

D492,129 S * 6/2004 Noll D6/344

D496,800 S * 10/2004 Pauschitz D6/344

6,827,650 B1 * 12/2004 Tseng A47C 1/03238
297/320

6,857,701 B1 * 2/2005 Liu A47C 17/175
297/281

D706,043 S * 6/2014 Zhou D6/347

2002/0185896 A1 * 12/2002 Tseng A47C 3/0255
297/184.15

2009/0236886 A1 * 9/2009 Tseng A47C 3/0255
297/281

2012/0178543 A1 * 7/2012 Monachello A63G 9/12
472/118

* cited by examiner

Primary Examiner — Deanna L Pratt

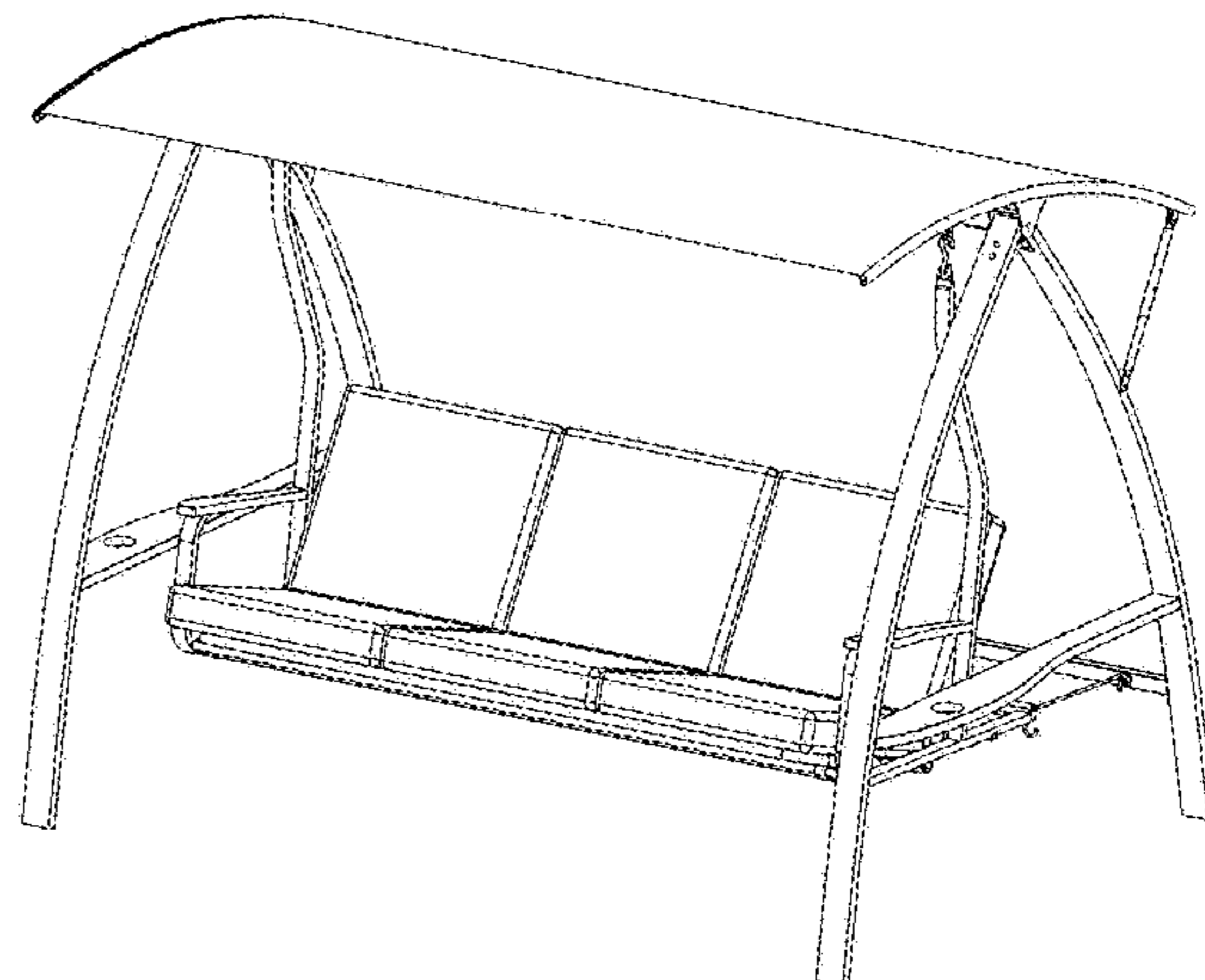
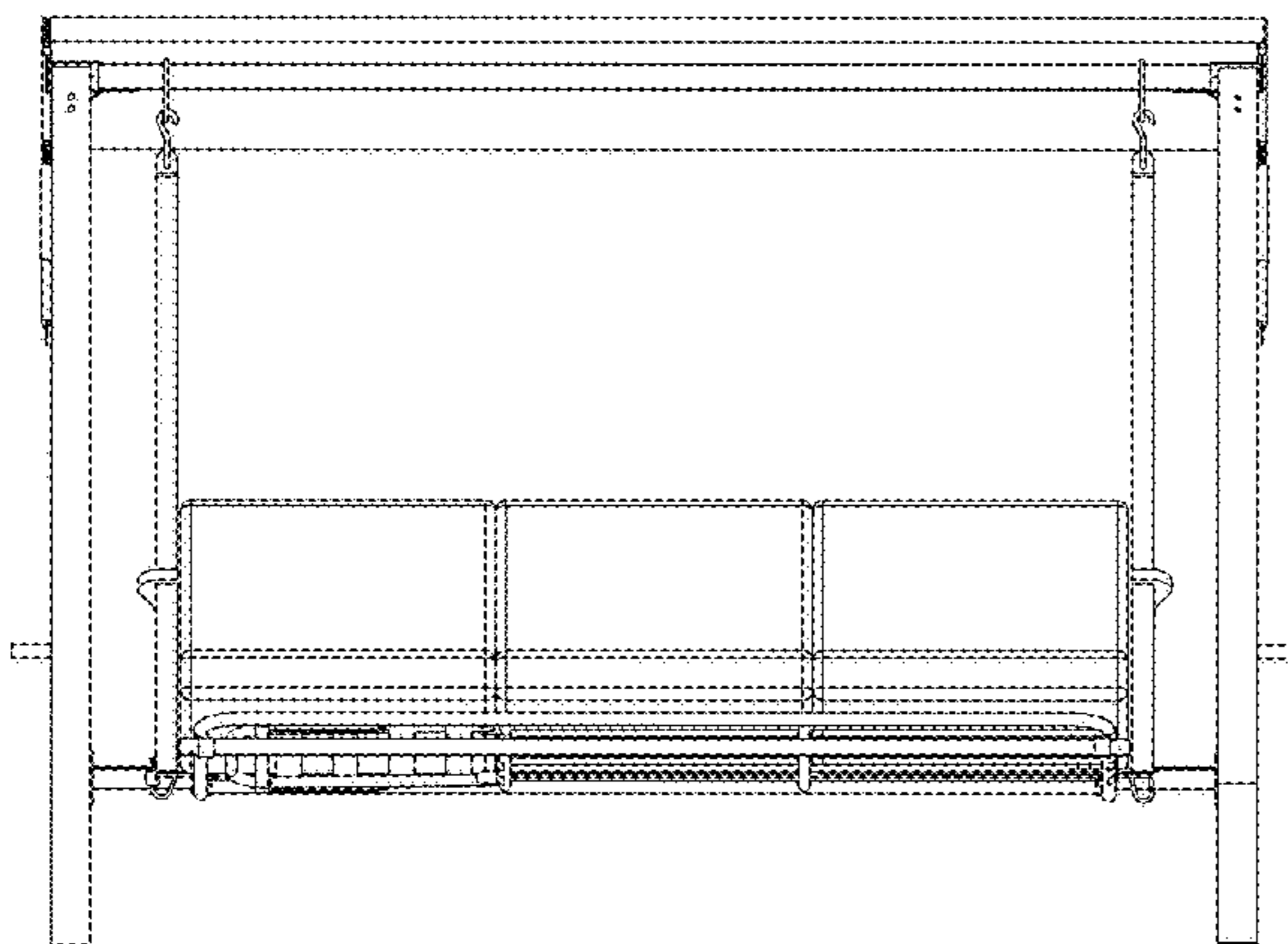
(57) **CLAIM**

The ornamental design for swing, as shown and described.

DESCRIPTION

FIG. 1 is a front plan view thereof;
FIG. 2 is a back plan view thereof;
FIG. 3 is a left plan view thereof;
FIG. 4 is a right plan view thereof;
FIG. 5 is a top plan view thereof;
FIG. 6 is a bottom plan view thereof; and,
FIG. 7 is a perspective view thereof.

1 Claim, 7 Drawing Sheets



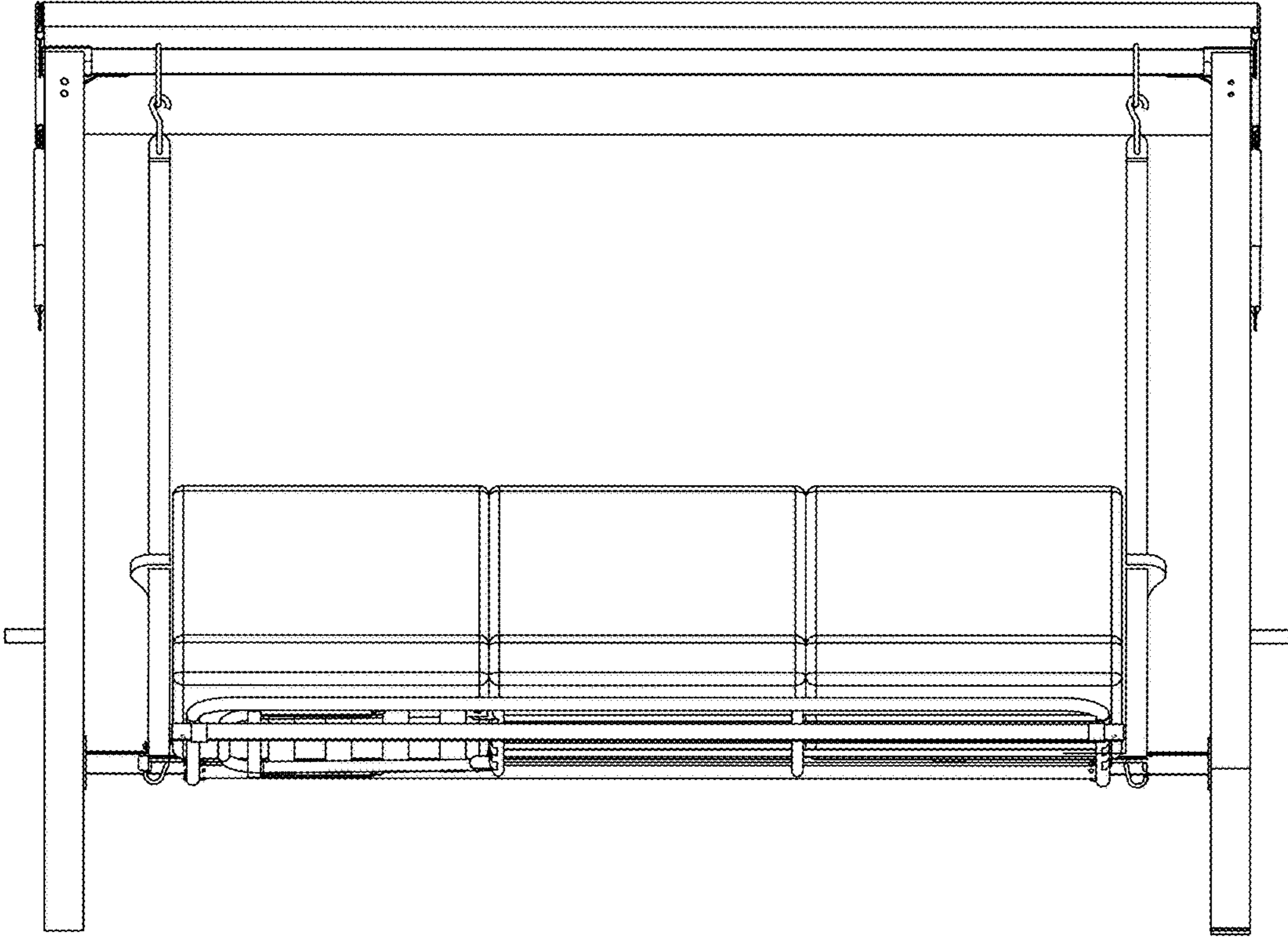


FIG.1

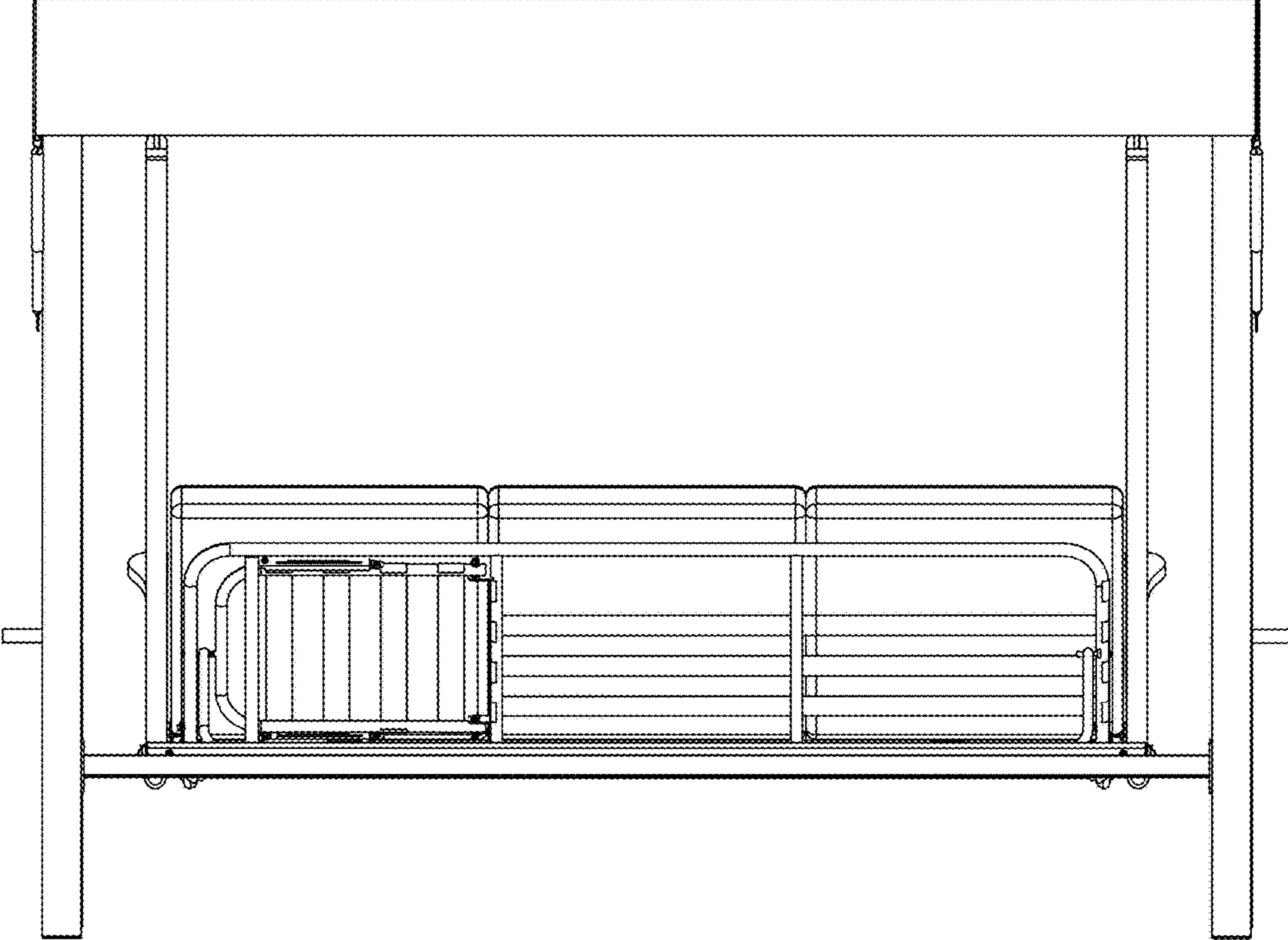


FIG.2

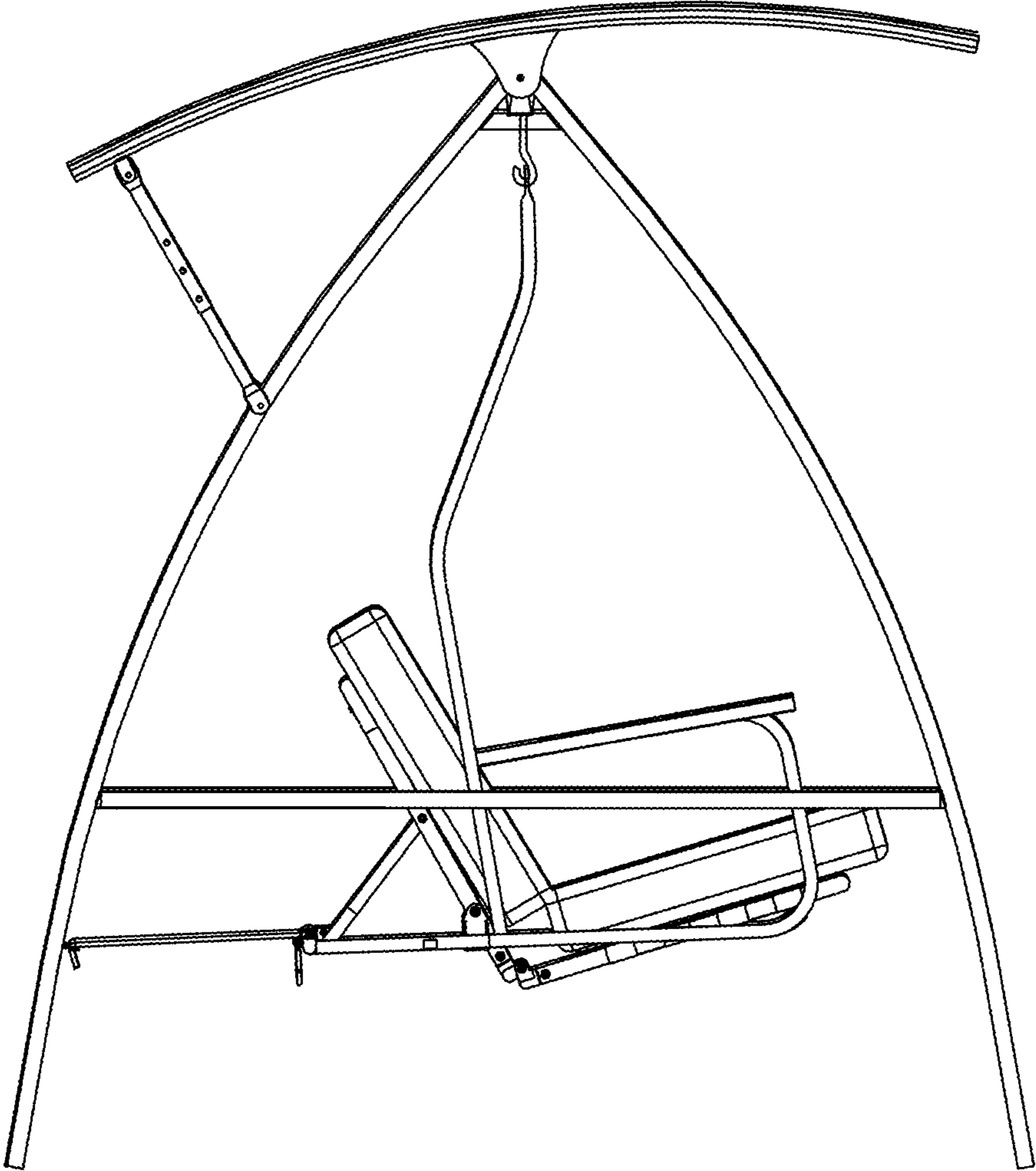


FIG.3

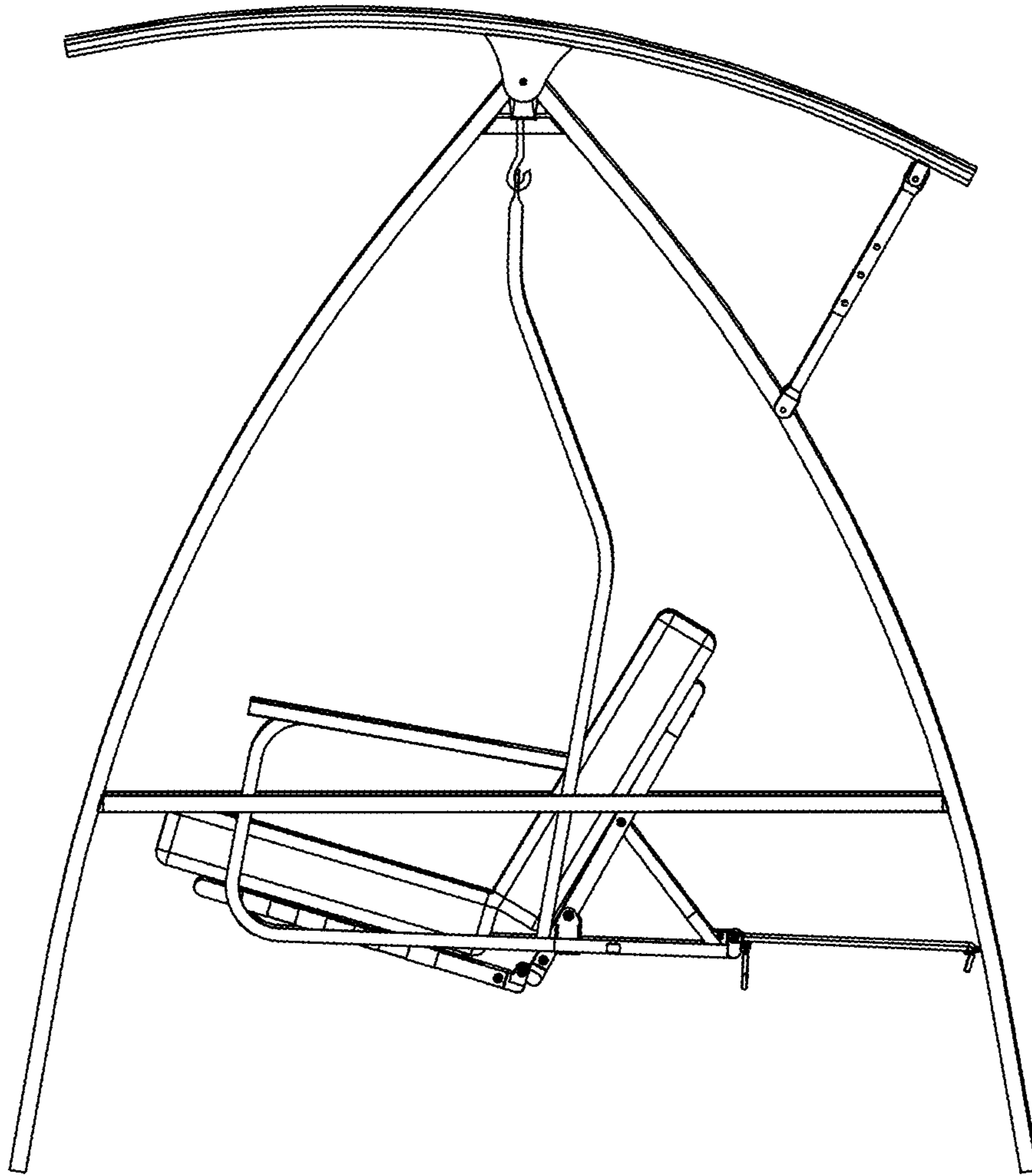


FIG. 4

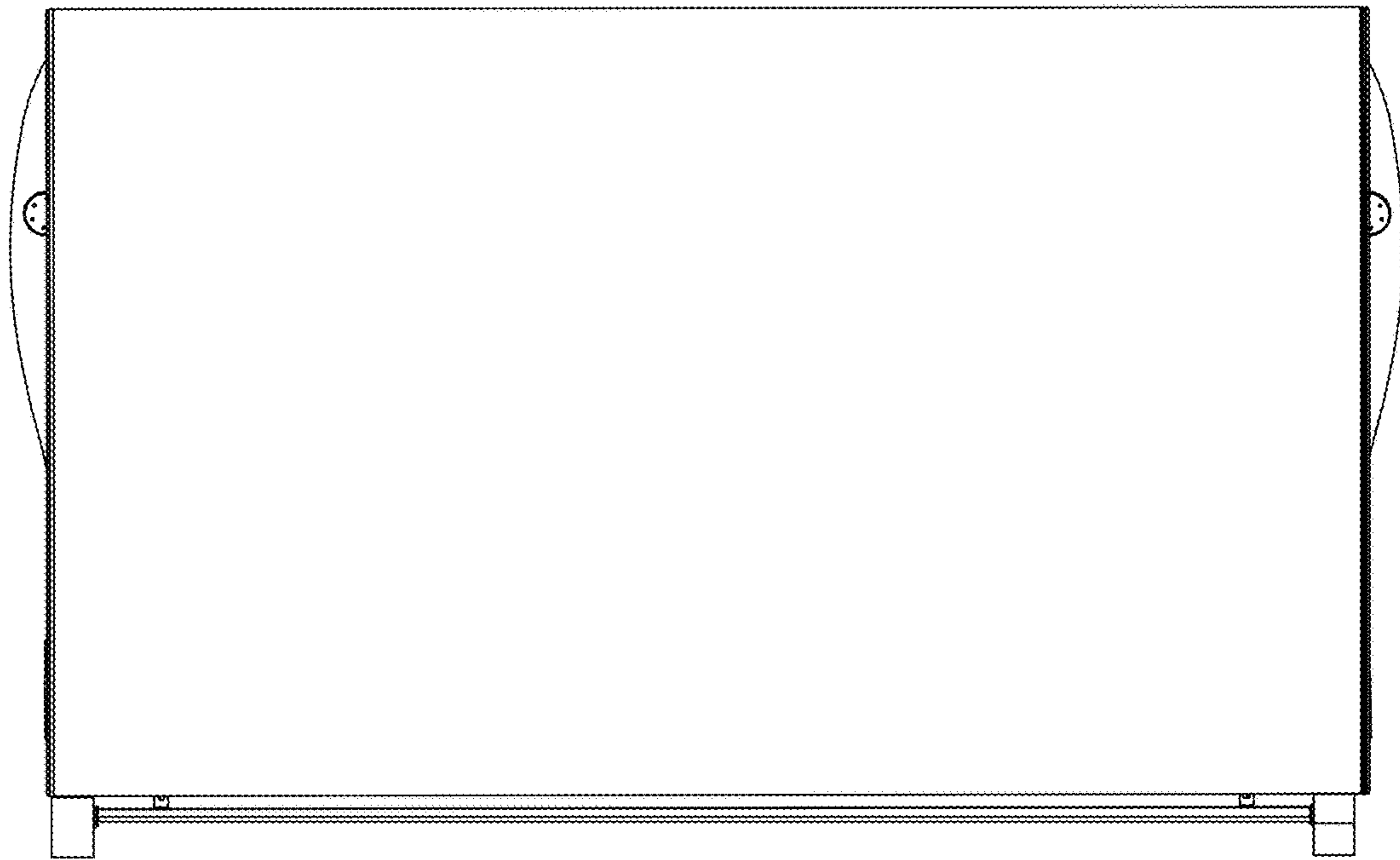


FIG.5

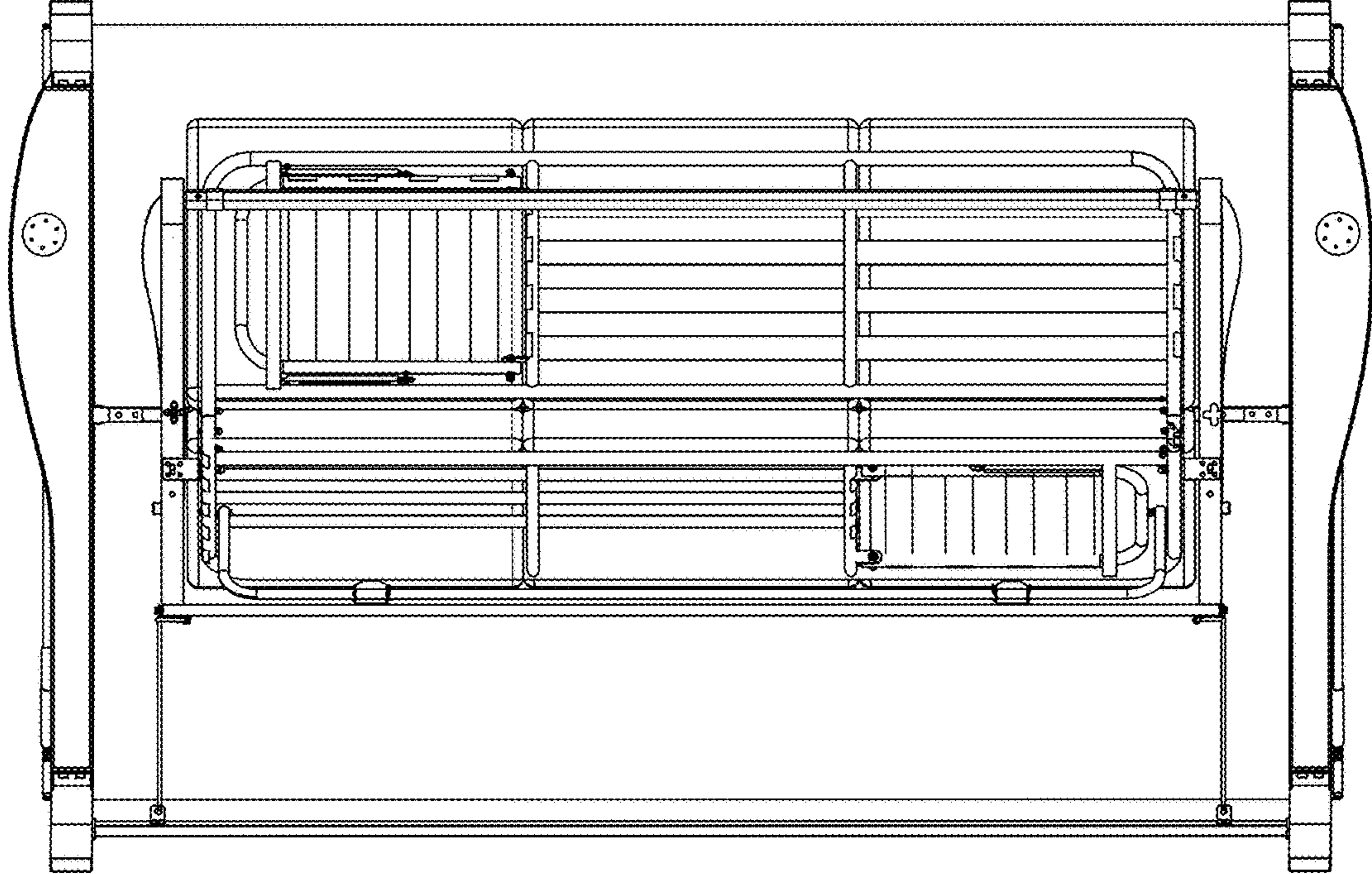


FIG.6

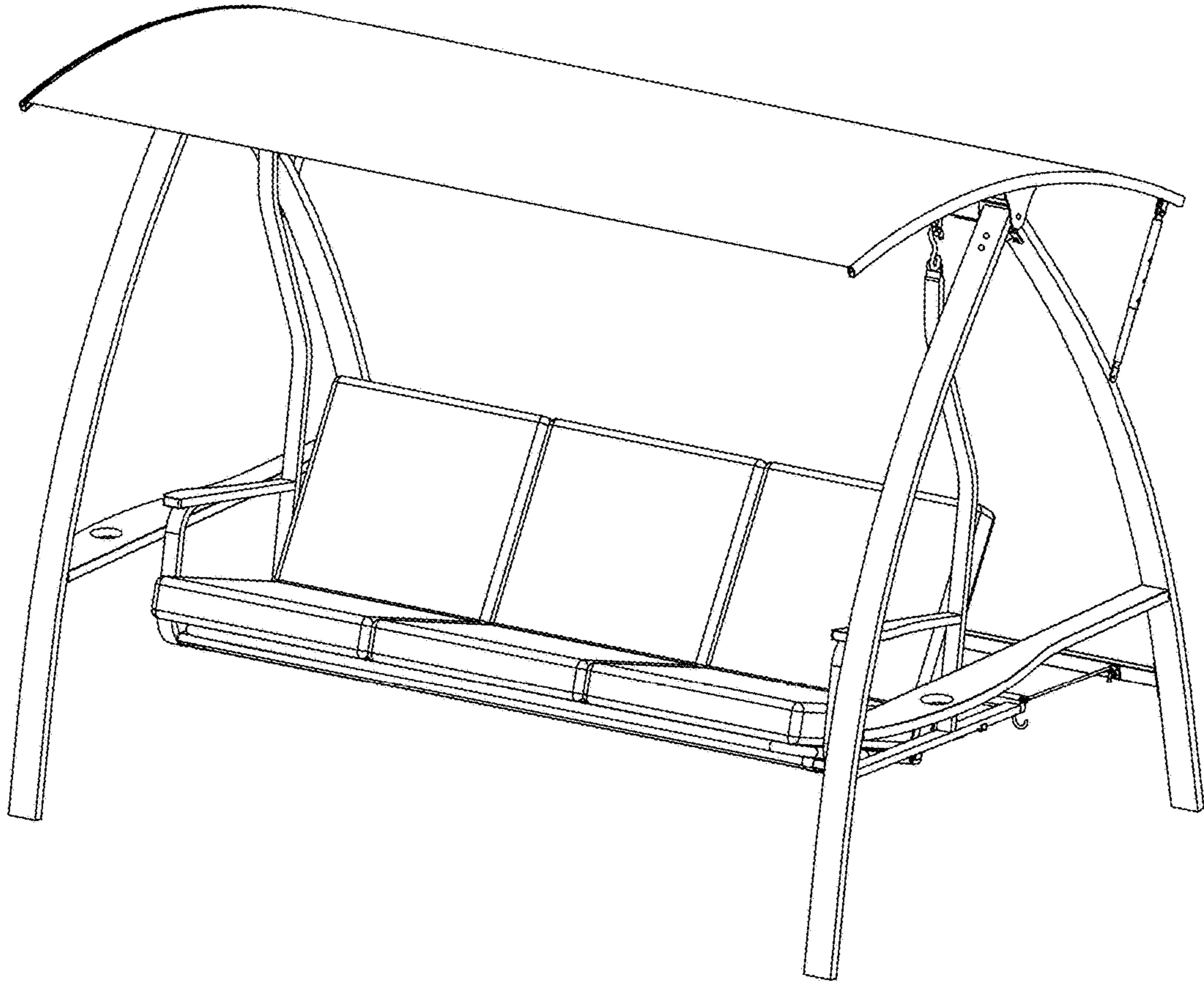


FIG.7