



US00D818725S

(12) **United States Design Patent** (10) **Patent No.:** **US D818,725 S**  
**Liao et al.** (45) **Date of Patent:** **\*\* May 29, 2018**

(54) **WORK SEAT**  
(71) Applicants: **Ying-Chieh Liao**, Taichung (TW);  
**Yu-Kuo Liao**, Taichung (TW)  
(72) Inventors: **Ying-Chieh Liao**, Taichung (TW);  
**Yu-Kuo Liao**, Taichung (TW)  
(\*\*) Term: **15 Years**  
(21) Appl. No.: **29/609,101**  
(22) Filed: **Jun. 28, 2017**  
(51) **LOC (11) Cl.** ..... **06-01**  
(52) **U.S. Cl.**  
USPC ..... **D6/336**  
(58) **Field of Classification Search**  
USPC ..... D6/334-343, 349, 350, 367, 368, 374,  
D6/375, 377, 381, 642, 656.12, 686,  
D6/691.6, 716; D34/19; D3/274, 279,  
D3/283  
CPC .... B25H 3/00; B25H 5/00; A47C 9/00; A47C  
9/027; A47C 7/006  
See application file for complete search history.

D466,668 S \* 12/2002 Peschmann ..... D34/23  
6,520,609 B1 \* 2/2003 Beauregard ..... A47C 7/62  
312/235.2  
6,857,644 B2 \* 2/2005 Hsiao ..... B25H 3/02  
280/32.5  
D586,132 S \* 2/2009 Liuhong ..... D6/335  
7,597,392 B1 \* 10/2009 Gilmore ..... A47C 9/00  
280/47.35  
D617,999 S \* 6/2010 Hung ..... D6/335  
D618,467 S \* 6/2010 Hung ..... D6/335  
D625,526 S \* 10/2010 Liuhong ..... D6/335  
D718,943 S \* 12/2014 Confer ..... D6/349  
D750,391 S \* 3/2016 Lensing ..... D6/336  
D808,672 S \* 1/2018 Goetz ..... D6/349

\* cited by examiner

*Primary Examiner* — Deanna L Pratt  
(74) *Attorney, Agent, or Firm* — Muncy, Giessler, Olds & Lowe, P.C.

(57) **CLAIM**

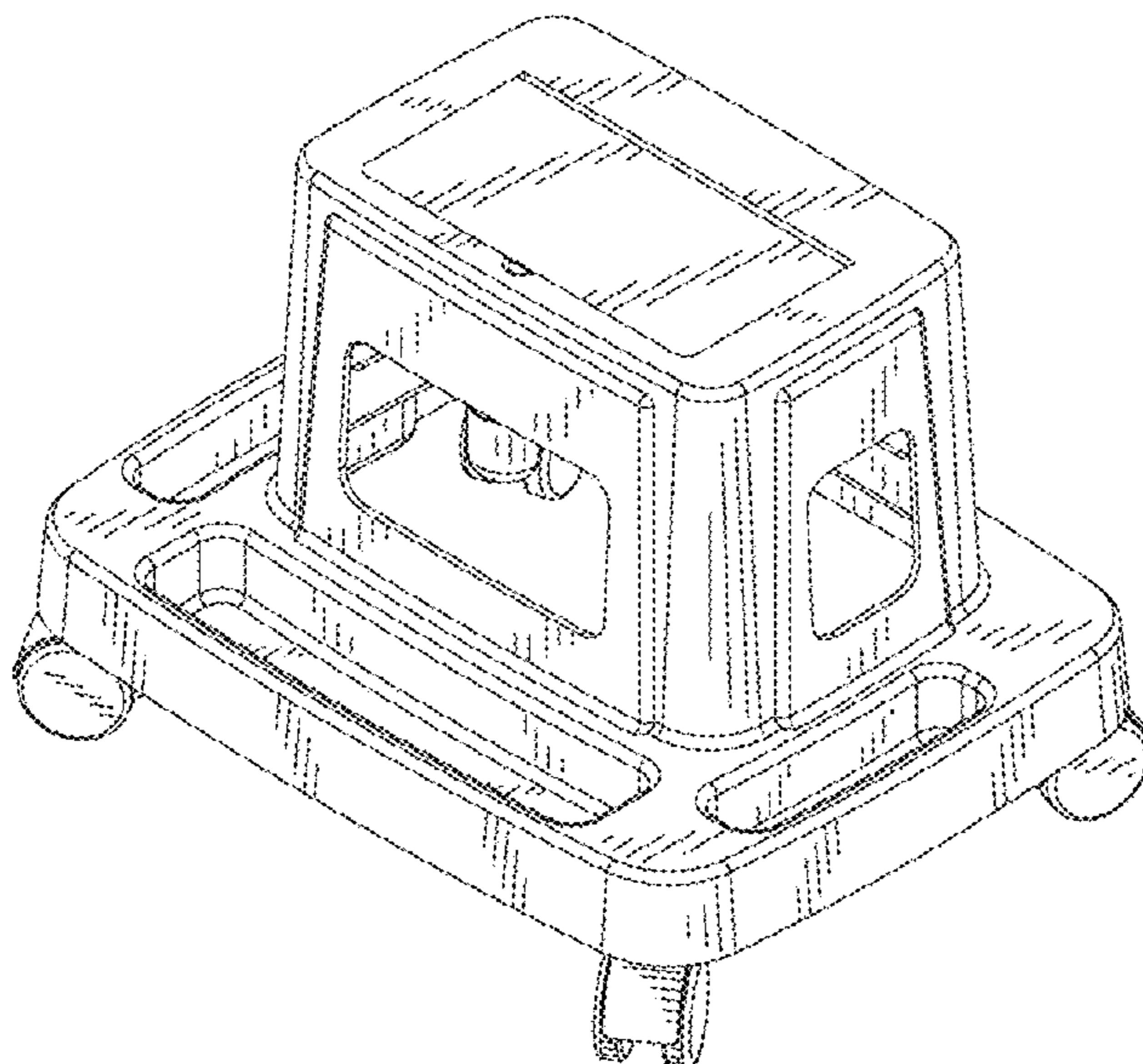
We claim the ornamental design for a work seat, as shown and described.

**DESCRIPTION**

FIG. 1 is a front, right, top perspective view of a work seat showing our new design;  
FIG. 2 is a front elevational view thereof;  
FIG. 3 is a rear elevational view thereof;  
FIG. 4 is a left side view thereof;  
FIG. 5 is a right side view thereof;  
FIG. 6 is a top plan view thereof;  
FIG. 7 is a bottom plan view thereof; and,  
FIG. 8 is a rear, left, bottom perspective view.

**1 Claim, 8 Drawing Sheets**

(56) **References Cited**  
U.S. PATENT DOCUMENTS  
4,744,613 A \* 5/1988 Brantingham ..... B25H 3/02  
206/216  
D298,674 S \* 11/1988 Koller, Sr. .... D34/23  
D327,352 S \* 6/1992 Robinson ..... D34/18  
D365,905 S \* 1/1996 Yemini ..... D34/19  
D367,967 S \* 3/1996 Calmeise ..... D6/336  
5,611,551 A \* 3/1997 Lin ..... B25H 5/00  
280/32.5  
5,641,034 A \* 6/1997 Calmeise ..... A47C 12/00  
182/17



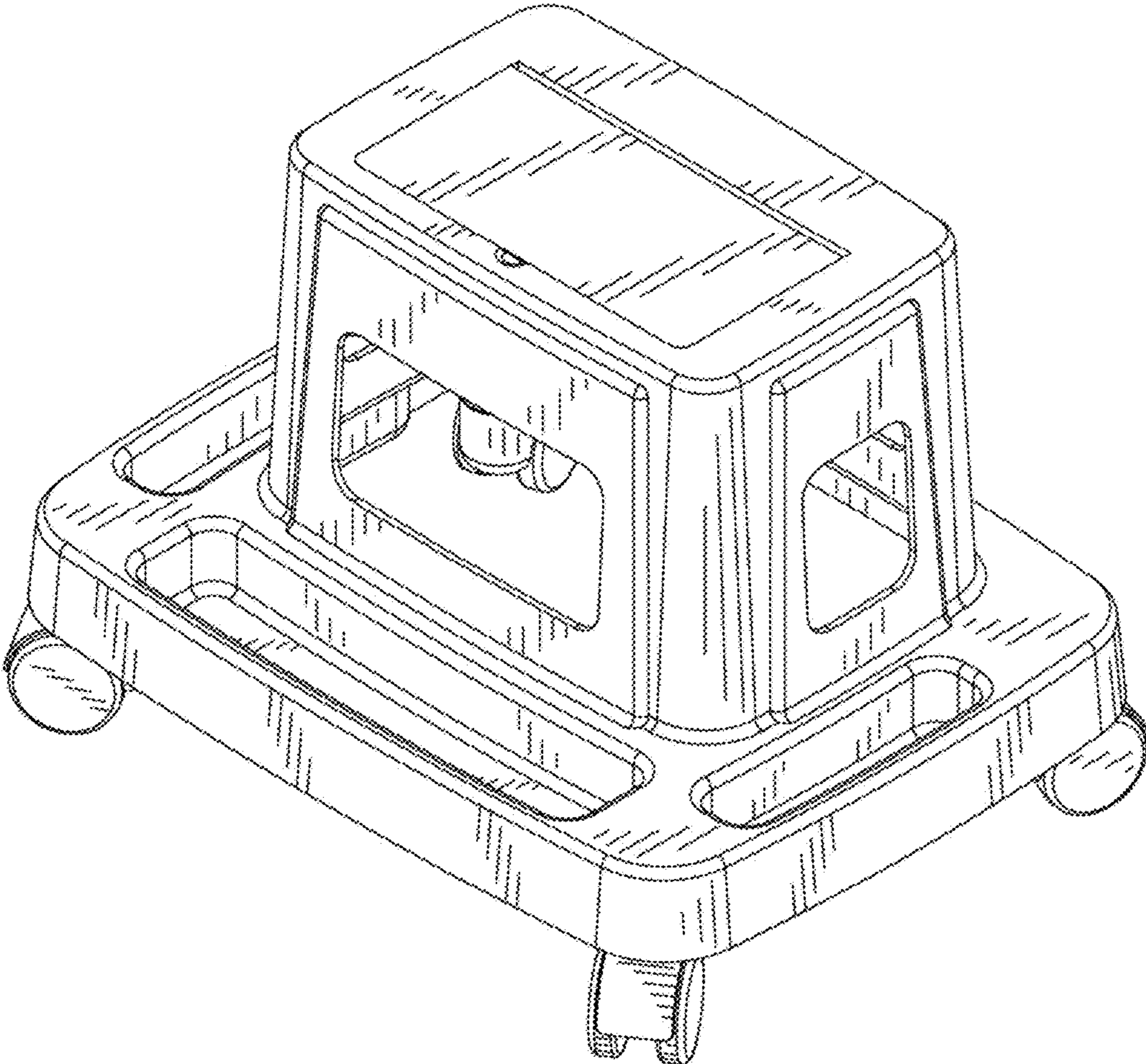


FIG. 1

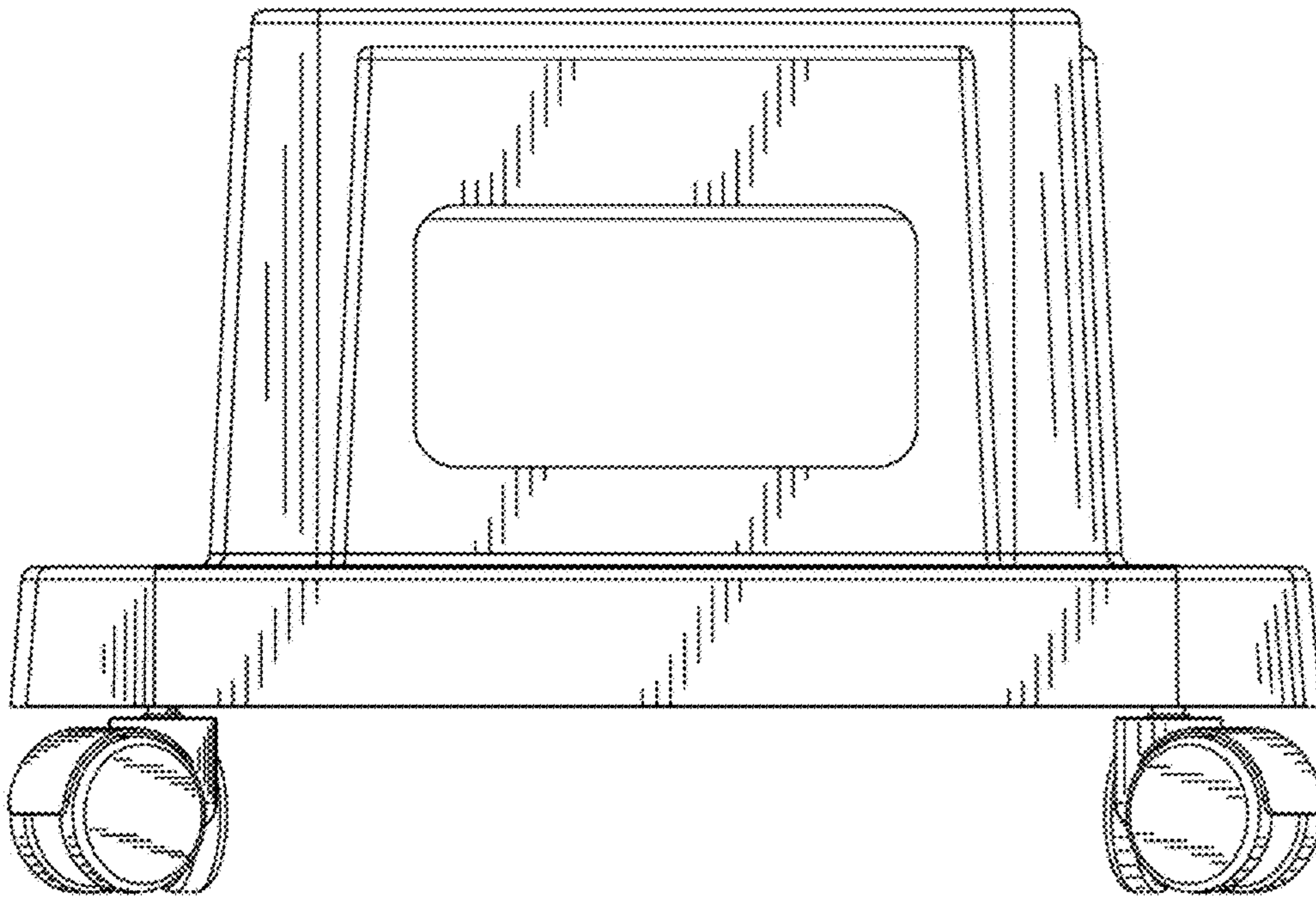


FIG. 2



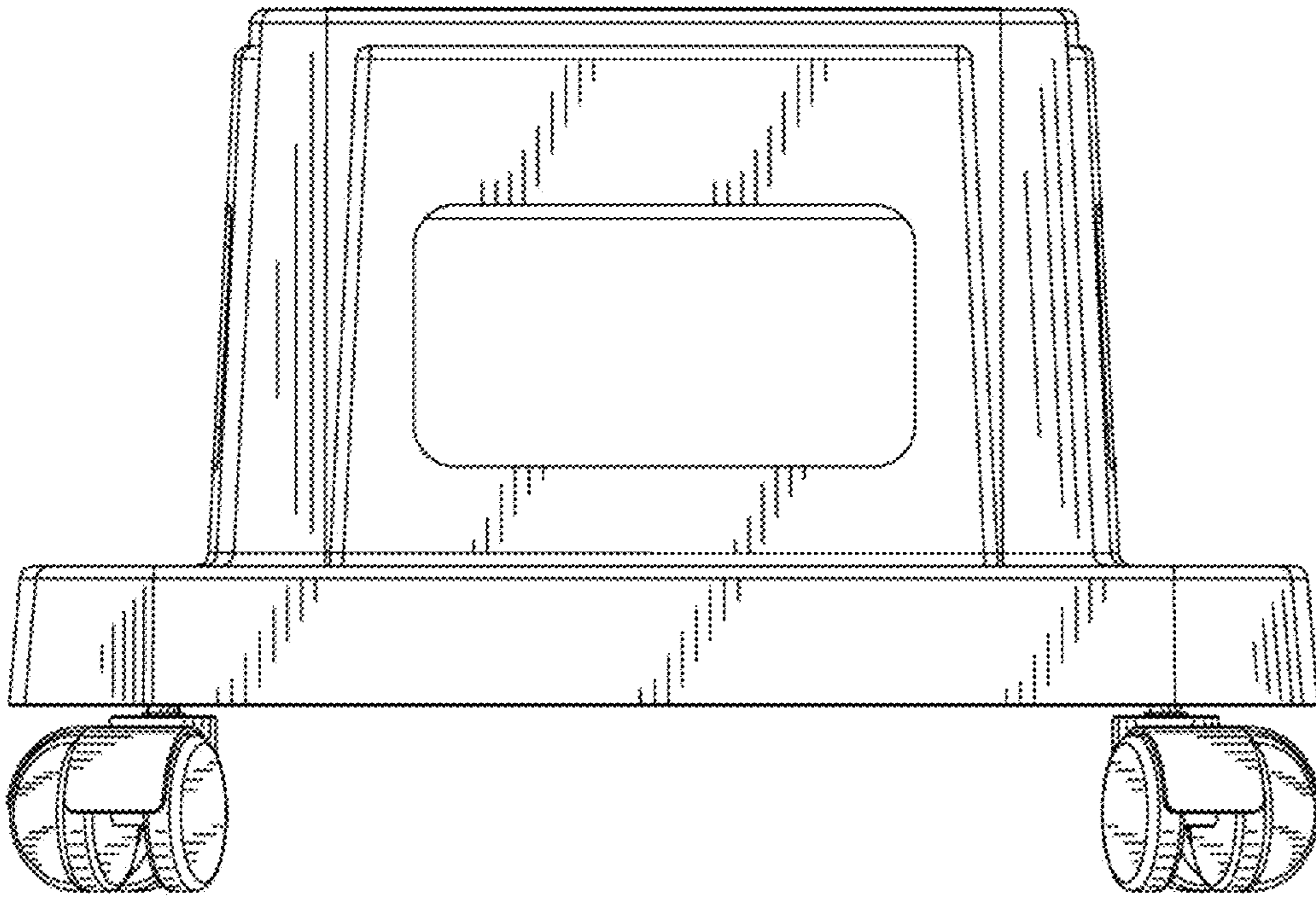


FIG. 3

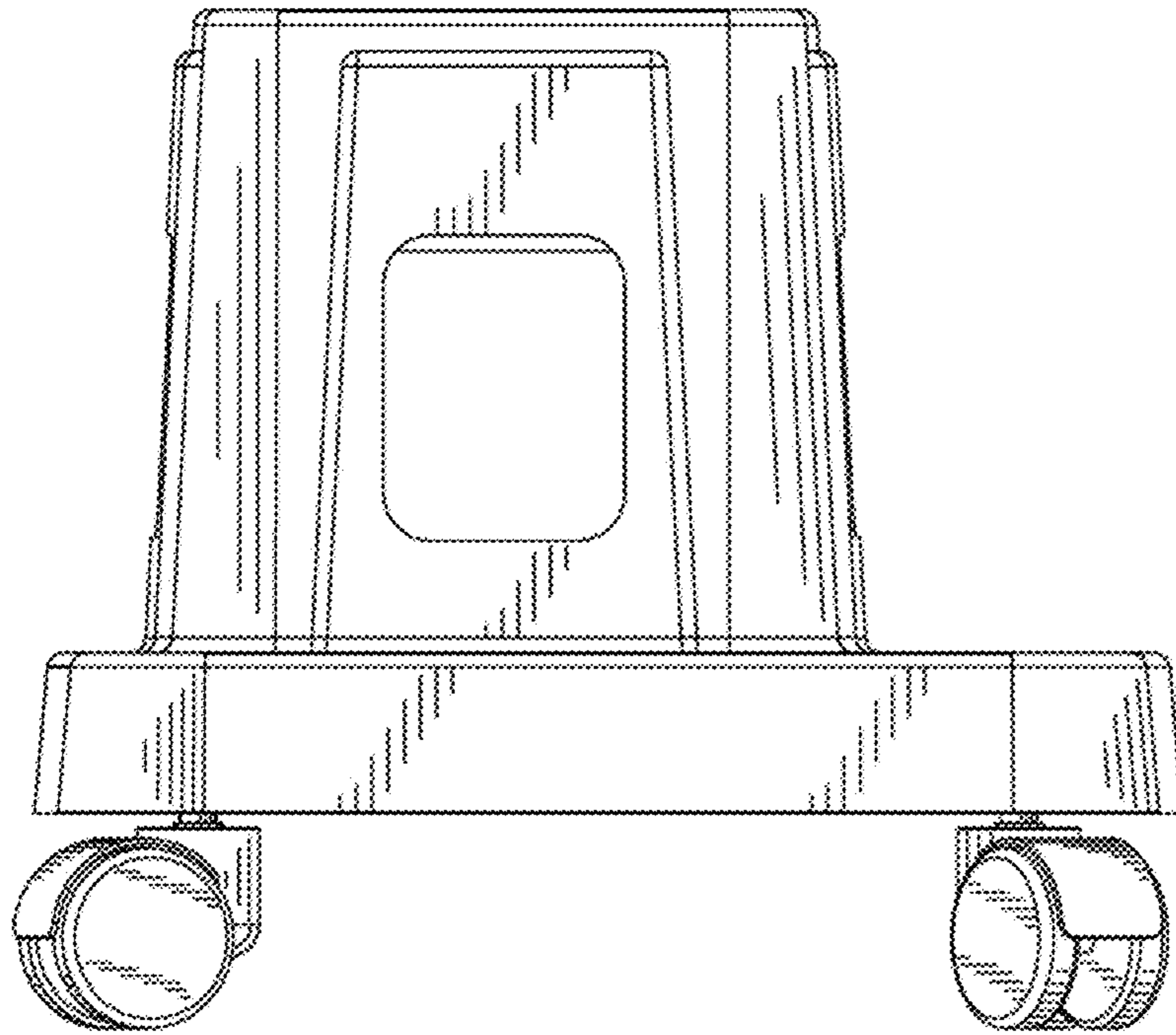


FIG. 4

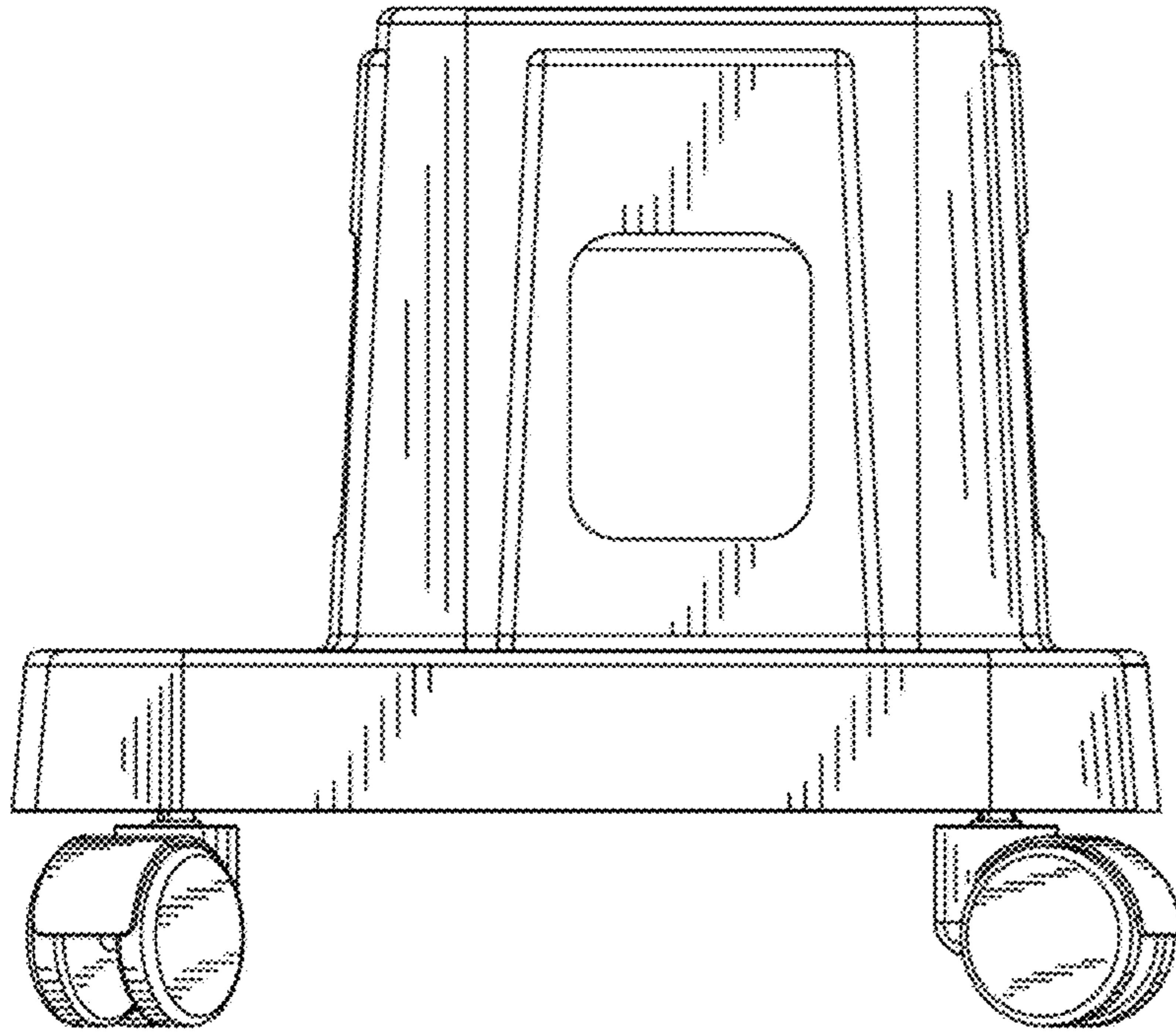


FIG. 5

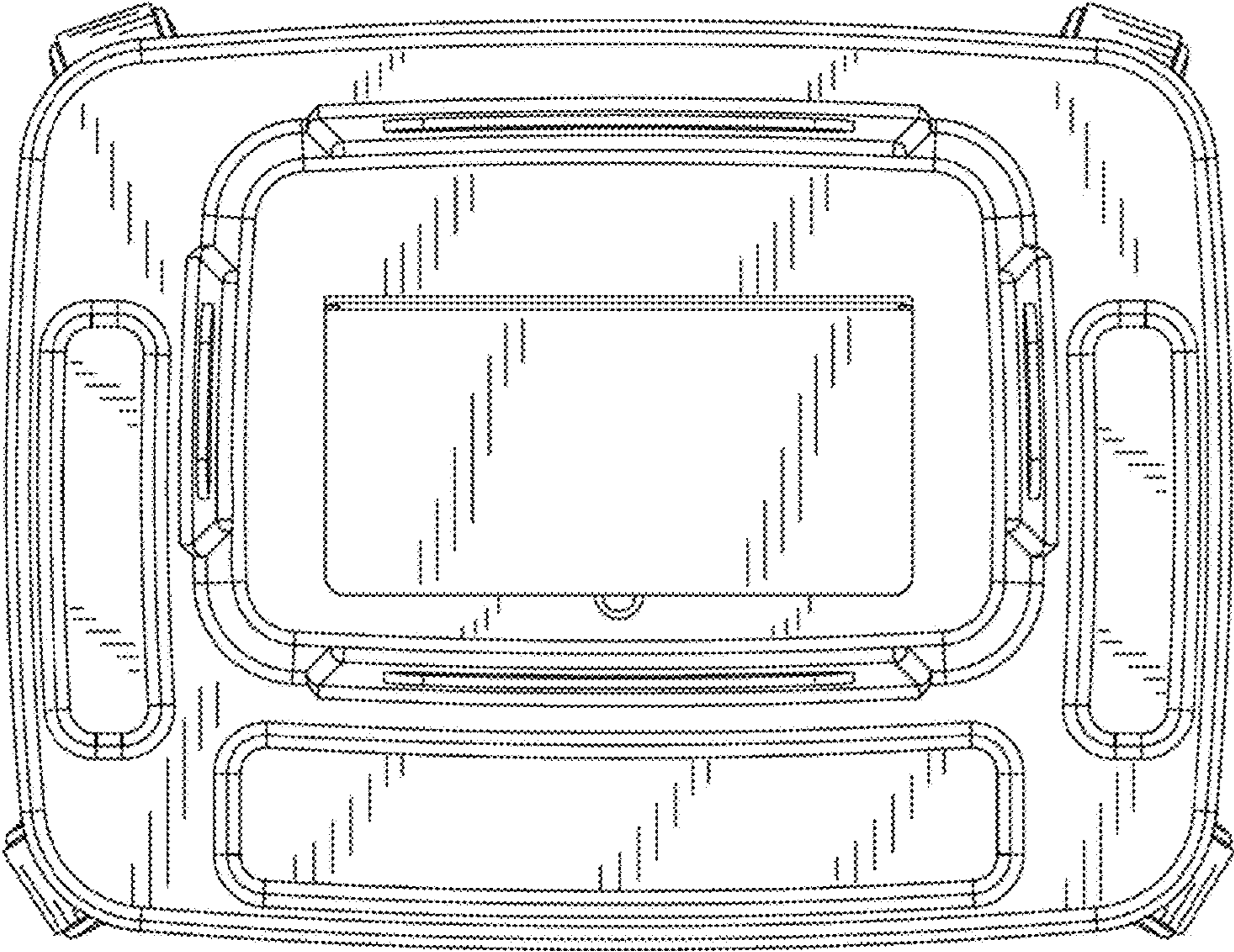


FIG. 6



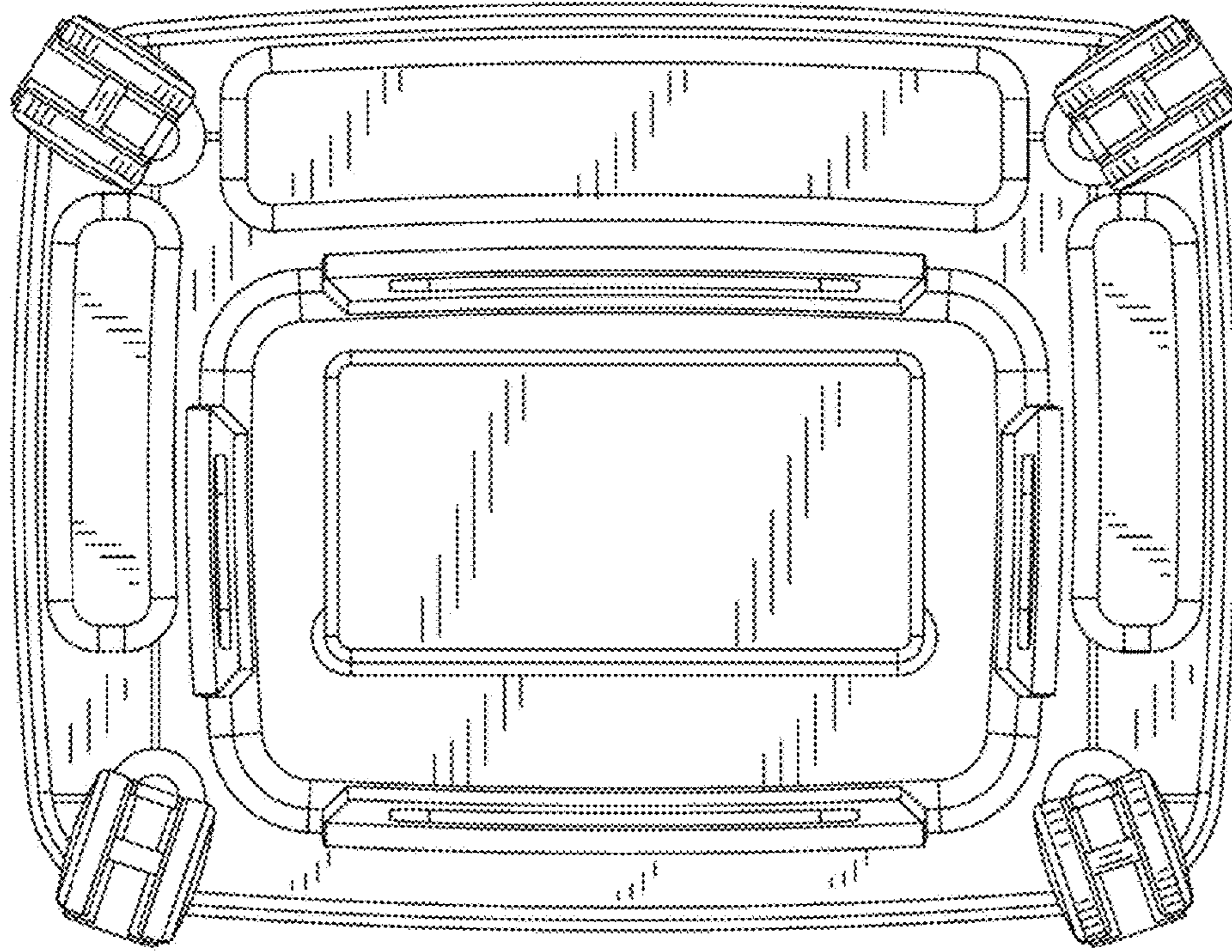


FIG. 7



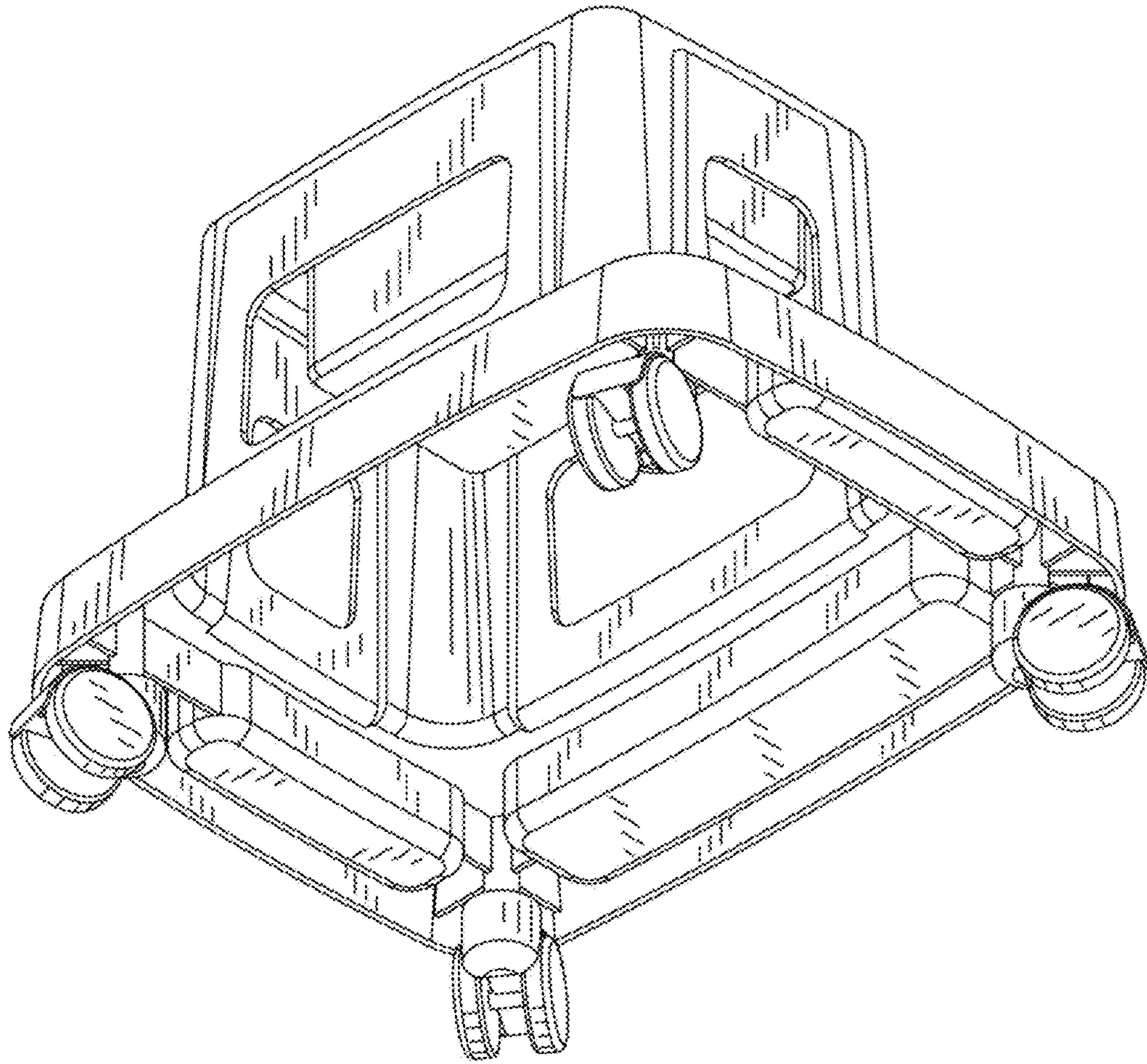


FIG. 8