



US00D818717S

(12) **United States Design Patent**
Gulamani

(10) **Patent No.:** **US D818,717 S**

(45) **Date of Patent:** **** May 29, 2018**

(54) **BRUSH**

(71) Applicant: **AG Global Products, LLC**, Sherman Oaks, CA (US)

(72) Inventor: **Shauky Gulamani**, Encino, CA (US)

(73) Assignee: **AG GLOBAL PRODUCTS, LLC**, Sherman Oaks, CA (US)

(**) Term: **15 Years**

(21) Appl. No.: **29/556,335**

(22) Filed: **Feb. 29, 2016**

Related U.S. Application Data

(63) Continuation of application No. 29/498,472, filed on Aug. 4, 2014, now Pat. No. Des. 750,384, and a continuation of application No. 29/498,594, filed on Aug. 5, 2014, now Pat. No. Des. 755,527.

(51) **LOC (11) Cl.** **04-02**

(52) **U.S. Cl.**
USPC **D4/133**

(58) **Field of Classification Search**
USPC D4/100, 102, 114, 115, 116, 121, 127, D4/128, 129, 132, 133, 134, 135, 136, D4/138, 199; D24/214; D28/21, 22, 24, D28/25, 26, 27, 28, 29, 30, 31, 32, 33, D28/34; D30/158; 15/207.2; 132/211
CPC .. A46B 9/06; A46B 9/02; A46B 9/023; A46B 9/028; A46B 2200/104; A46D 1/0238
See application file for complete search history.

(56) **References Cited**

U.S. PATENT DOCUMENTS

D269,298 S * 6/1983 Oberheim D28/26
D299,764 S * 2/1989 Oberheim D28/26
4,936,027 A * 6/1990 Tsuji A45D 1/04
132/228

D383,245 S * 9/1997 Seifert D28/13
5,673,710 A * 10/1997 Schaefer A45D 1/18
132/118
D389,953 S * 1/1998 Seifert D28/35
D432,792 S * 10/2000 Sivan D4/133
D698,994 S * 2/2014 Xu D28/35
D732,737 S * 6/2015 Kaizuka D28/35

(Continued)

FOREIGN PATENT DOCUMENTS

CN 303496814 * 12/2015
CN 303568242 * 1/2016
CN 303614599 * 3/2016

(Continued)

Primary Examiner — Karen E Eldridge Powers

(74) *Attorney, Agent, or Firm* — Buchalter

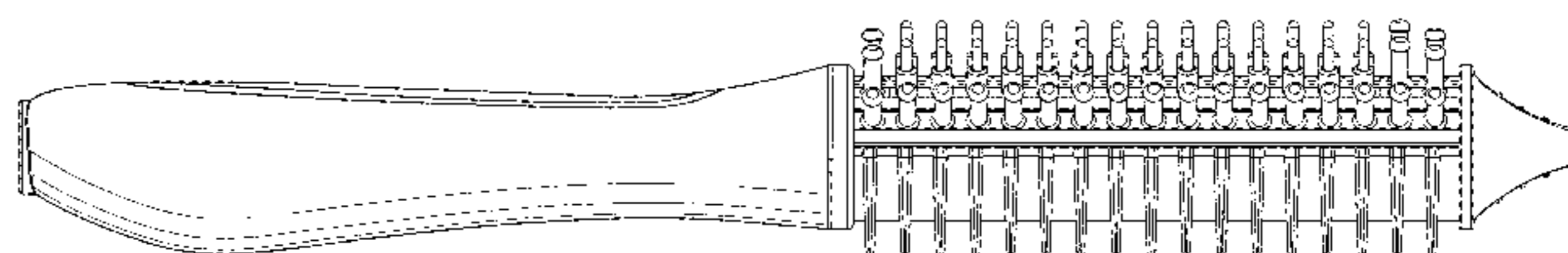
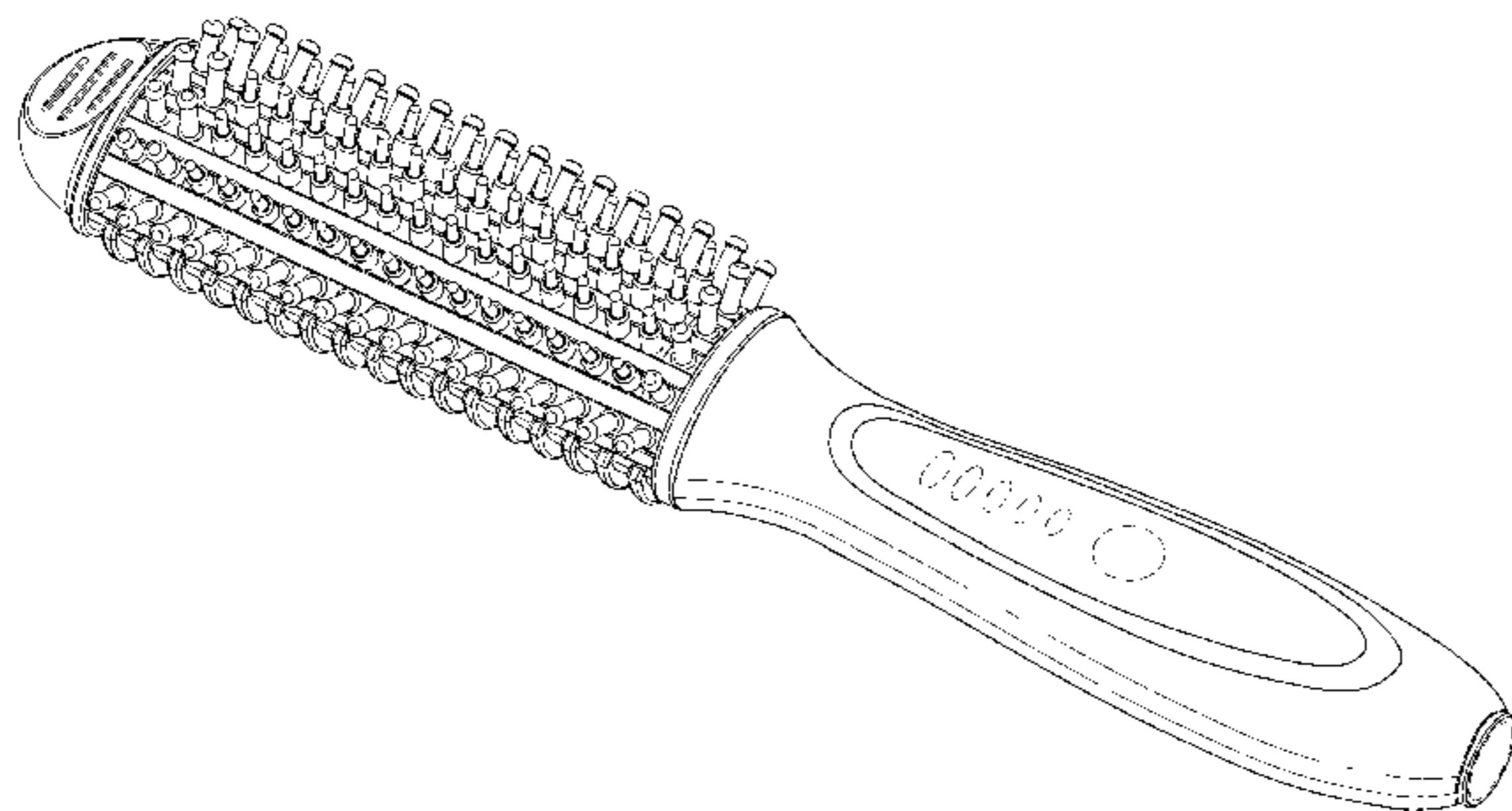
(57) **CLAIM**

I claim the ornamental design for a brush, as shown and described.

DESCRIPTION

FIG. 1 is a top perspective view of a brush showing my new design;
FIG. 2 is a first side elevation view of the brush illustrated in FIG. 1;
FIG. 3 is a second side elevation view of the brush illustrated in FIG. 1;
FIG. 4 is a top plan view of the brush illustrated in FIG. 1;
FIG. 5 is a bottom plan view of the brush illustrated in FIG. 1;
FIG. 6 is a first end elevation view of the brush illustrated in FIG. 1; and,
FIG. 7 is a second end elevation view of the brush illustrated in FIG. 1.
The broken lines shown in the drawings illustrate the bounds of the claim and form no part thereof.

1 Claim, 3 Drawing Sheets



(56)

References Cited

U.S. PATENT DOCUMENTS

D750,384 S * 3/2016 Gulamani D4/138
D755,527 S * 5/2016 Gulamani D4/133

FOREIGN PATENT DOCUMENTS

CN 303636729 * 4/2016
CN 303642611 * 4/2016
CN 303657732 * 4/2016
EM 002626242-0002 * 2/2015
KR 300800702 * 6/2015
KR 300810075 * 8/2015
KR 300839992 * 2/2016

* cited by examiner

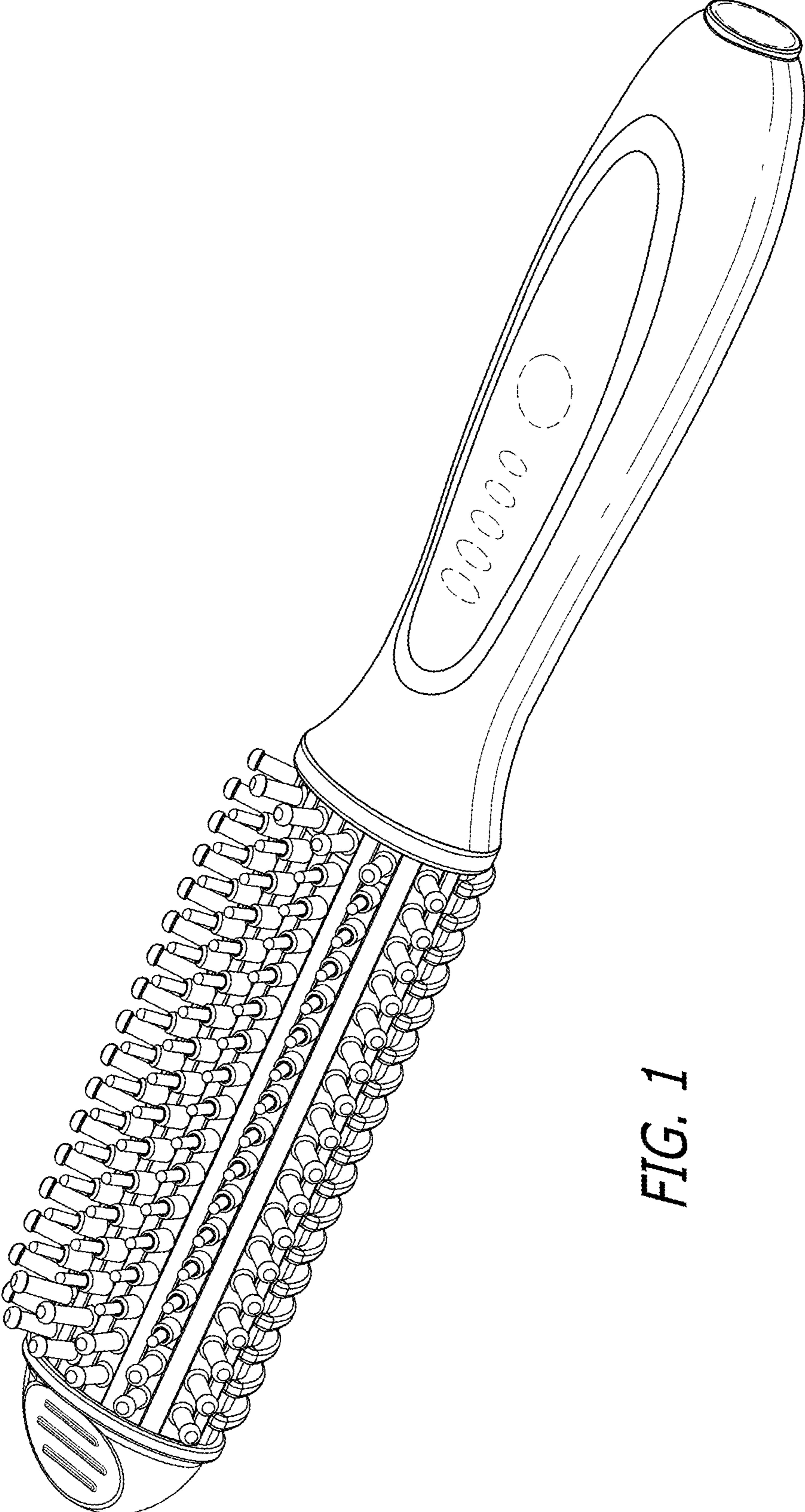


FIG. 1

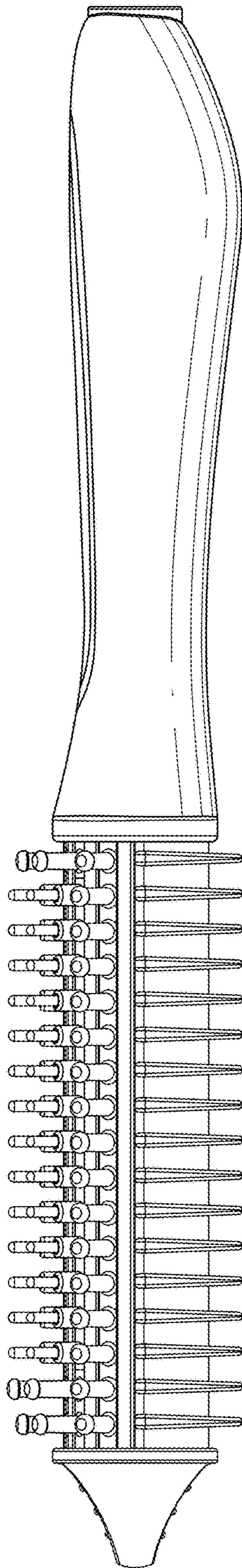


FIG. 2

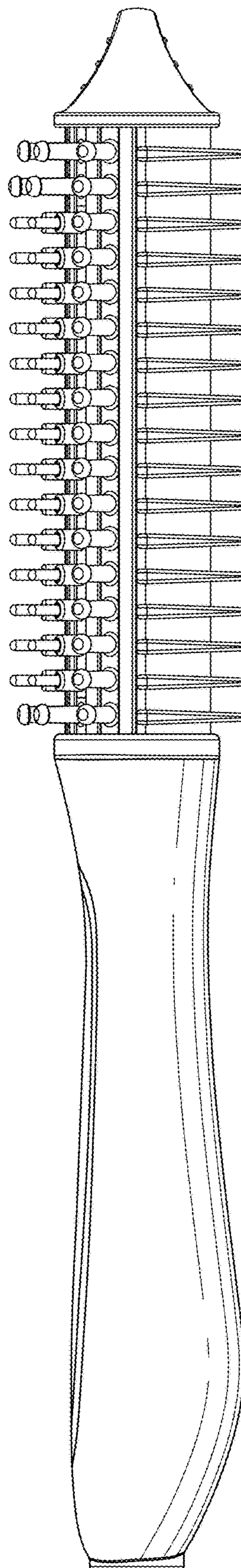


FIG. 3

