



US00D818716S

(12) **United States Design Patent**  
**Savignac**

(10) **Patent No.:** **US D818,716 S**  
(45) **Date of Patent:** **\*\* May 29, 2018**

(54) **PERSONAL GROOMING DEVICE**

(71) Applicant: **Jay Savignac**, Whitewater, WI (US)

(72) Inventor: **Jay Savignac**, Whitewater, WI (US)

(\*\*) Term: **15 Years**

(21) Appl. No.: **29/585,725**

(22) Filed: **Nov. 28, 2016**

(51) **LOC (11) Cl.** ..... **04-01**

(52) **U.S. Cl.**

USPC ..... **D4/122**; D4/138

(58) **Field of Classification Search**

USPC ..... D4/122, 131-138; D7/393, 392, 401.2;  
D8/10, 11, 45, 80, 83, 98, 107, 303;  
15/104.001, 104.002, 143.1, 159.1, 160,  
15/230, 230.11; 16/430; 492/13, 16, 17,  
492/19

CPC ..... A46B 5/02; A46B 5/021; A46B 5/023;  
A46B 5/025; A46B 5/026; A46B 7/06;  
A46B 7/10; A47J 45/00; A47J 45/06;  
A47J 45/061; A47J 45/07; A47J 45/071;  
B25G 1/00; B25G 1/005; B25G 1/10;  
B25G 1/102; B25G 1/105; B26B 1/10;  
Y10S 16/12; Y10S 16/19; Y10T 16/446;  
Y10T 16/469; Y10T 16/476; A47L 25/00;  
A47L 25/005; A47L 25/08; B08B 1/00;  
B08B 1/04; B08B 7/0028; B05C 17/02;  
B05C 17/0205; B05C 17/0217; B05C  
17/0222; B05C 17/0225

See application file for complete search history.

(56) **References Cited**

U.S. PATENT DOCUMENTS

2,401,842 A 6/1946 Slater  
2,423,962 A 7/1947 Clark et al.  
2,624,060 A 1/1953 McKenzie

(Continued)

Primary Examiner — Austin Murphy

(74) *Attorney, Agent, or Firm* — Gary L. Eastman, Esq.;  
Eastman & McCartney LLP

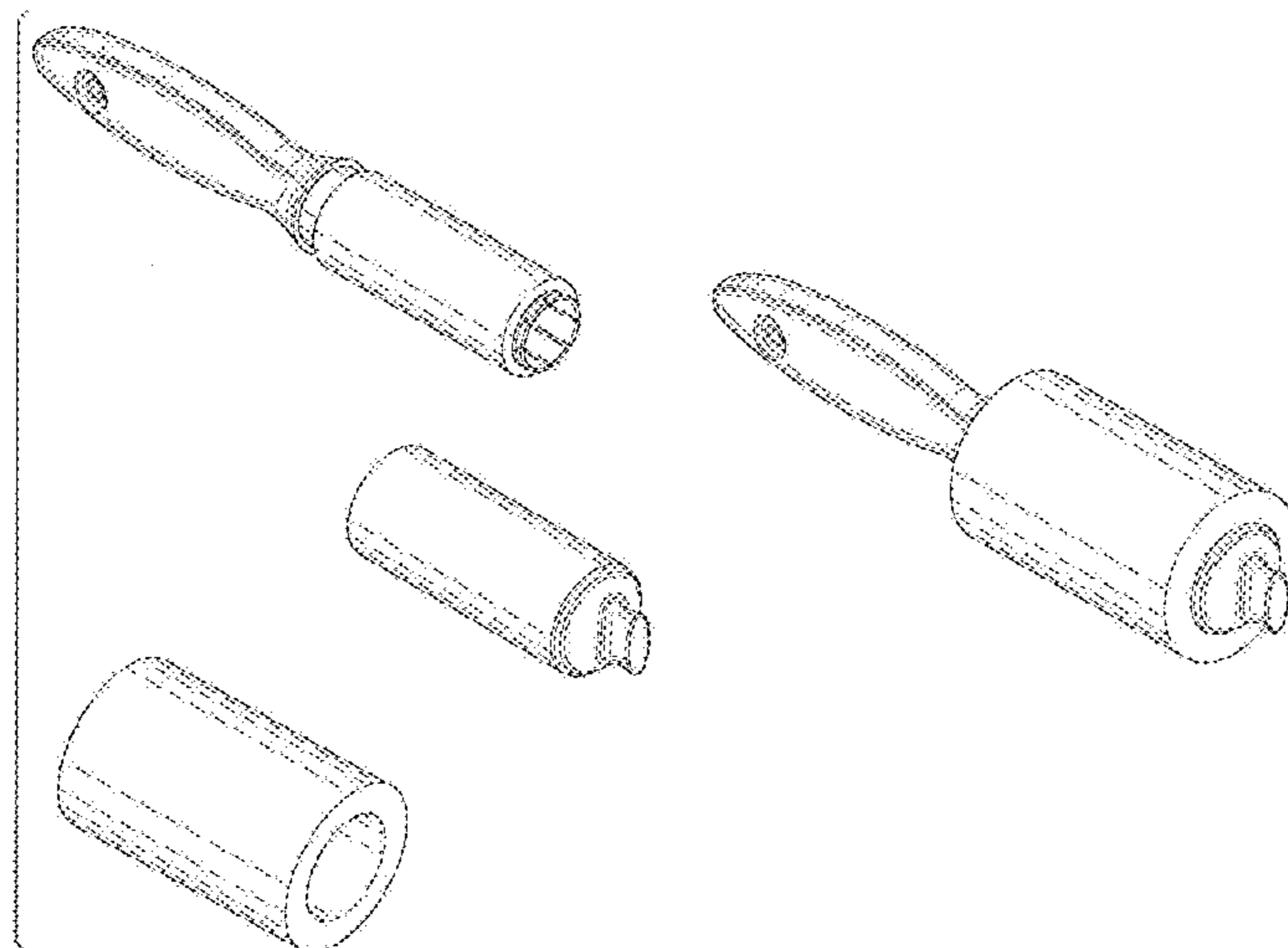
(57) **CLAIM**

The ornamental design for a personal grooming device, as shown and described.

**DESCRIPTION**

FIG. 1 is a front upper perspective view of the personal grooming device in an exploded configuration;  
FIG. 2 is a back lower perspective view of the personal grooming device in an exploded configuration;  
FIG. 3 is a top view of the personal grooming device in an exploded configuration;  
FIG. 4 is a bottom view of the personal grooming device in an exploded configuration;  
FIG. 5 is a front view of the personal grooming device in an exploded configuration;  
FIG. 6 is a back view of the personal grooming device in an exploded configuration;  
FIG. 7 is a left side view of the personal grooming device in an exploded configuration;  
FIG. 8 is a right side view of the personal grooming device in an exploded configuration;  
FIG. 9 is a front upper perspective view of the personal grooming device in an assembled configuration;  
FIG. 10 is a back lower perspective view of the personal grooming device in an assembled configuration;  
FIG. 11 is a top view of the personal grooming device in an assembled configuration;  
FIG. 12 is a bottom view of the personal grooming device in an assembled configuration;  
FIG. 13 is a front view of the personal grooming device in an assembled configuration;  
FIG. 14 is a back view of the personal grooming device in an assembled configuration;  
FIG. 15 is a left side view of the personal grooming device in an assembled configuration; and,  
FIG. 16 is a right side view of the personal grooming device in an assembled configuration.

**1 Claim, 13 Drawing Sheets**



(56)

References Cited

U.S. PATENT DOCUMENTS

2,702,913	A	3/1955	Walkama	D656,319	S	3/2012	Kye et al.	
3,343,194	A	9/1967	Ramelson	D674,611	S	* 1/2013	Gullatt .....	D4/122
3,421,170	A	1/1969	Thomas	D691,378	S	10/2013	Taub	
4,361,923	A	12/1982	McKay	8,763,190	B2	7/2014	Ross	
4,399,579	A	8/1983	McKay	8,904,588	B2	* 12/2014	Taub .....	A47L 25/005
4,422,201	A	12/1983	McKay					15/104.002
4,979,257	A	12/1990	Heneveld	D756,129	S	* 5/2016	Michelson .....	D4/122
6,055,895	A	5/2000	McKay	D756,130	S	* 5/2016	Michelson .....	D4/122
6,427,278	B1	8/2002	McKay	D756,131	S	* 5/2016	Michelson .....	D4/122
6,449,794	B1	9/2002	Jaffri	D756,132	S	* 5/2016	Michelson .....	D4/122
D467,736	S	12/2002	Russell	D756,663	S	* 5/2016	Michelson .....	D4/122
6,688,464	B2	2/2004	Jessen et al.	D765,419	S	* 9/2016	Woolman .....	D4/122
7,114,213	B2	10/2006	DeRoma	D802,306	S	* 11/2017	Woolman .....	D4/122
D531,815	S	* 11/2006	Treacy .....	2005/0221043	A1	* 10/2005	Williamson .....	A47L 25/005
D539,545	S	* 4/2007	Crane .....					428/40.1
7,841,036	B2	11/2010	Smith	2006/0005333	A1	* 1/2006	Catalfamo .....	A47L 25/005
7,856,690	B2	12/2010	Tuman et al.					15/104.002
				2007/0204416	A1	9/2007	Treacy	
				2013/0205522	A1	8/2013	Butts	

\* cited by examiner

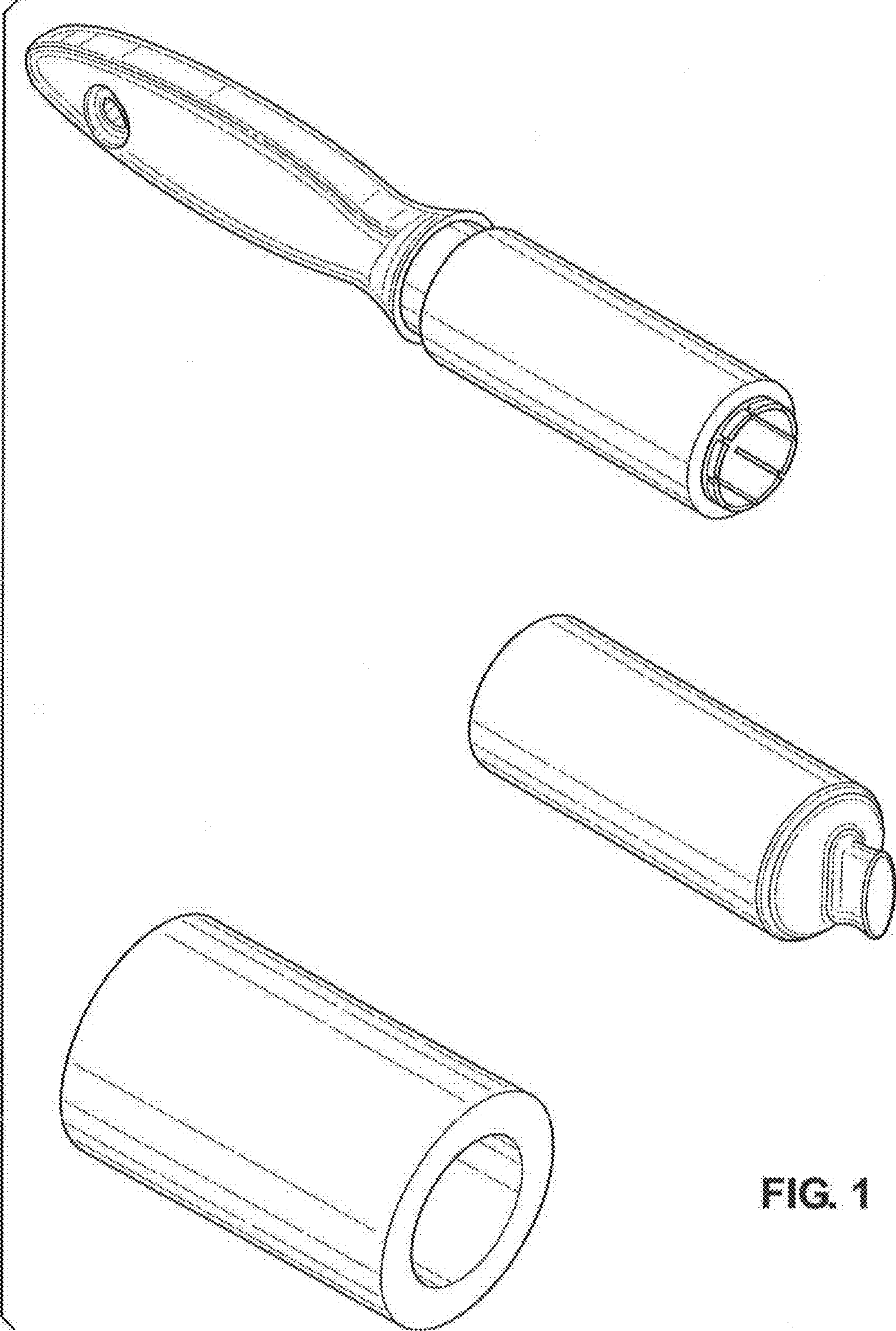


FIG. 1

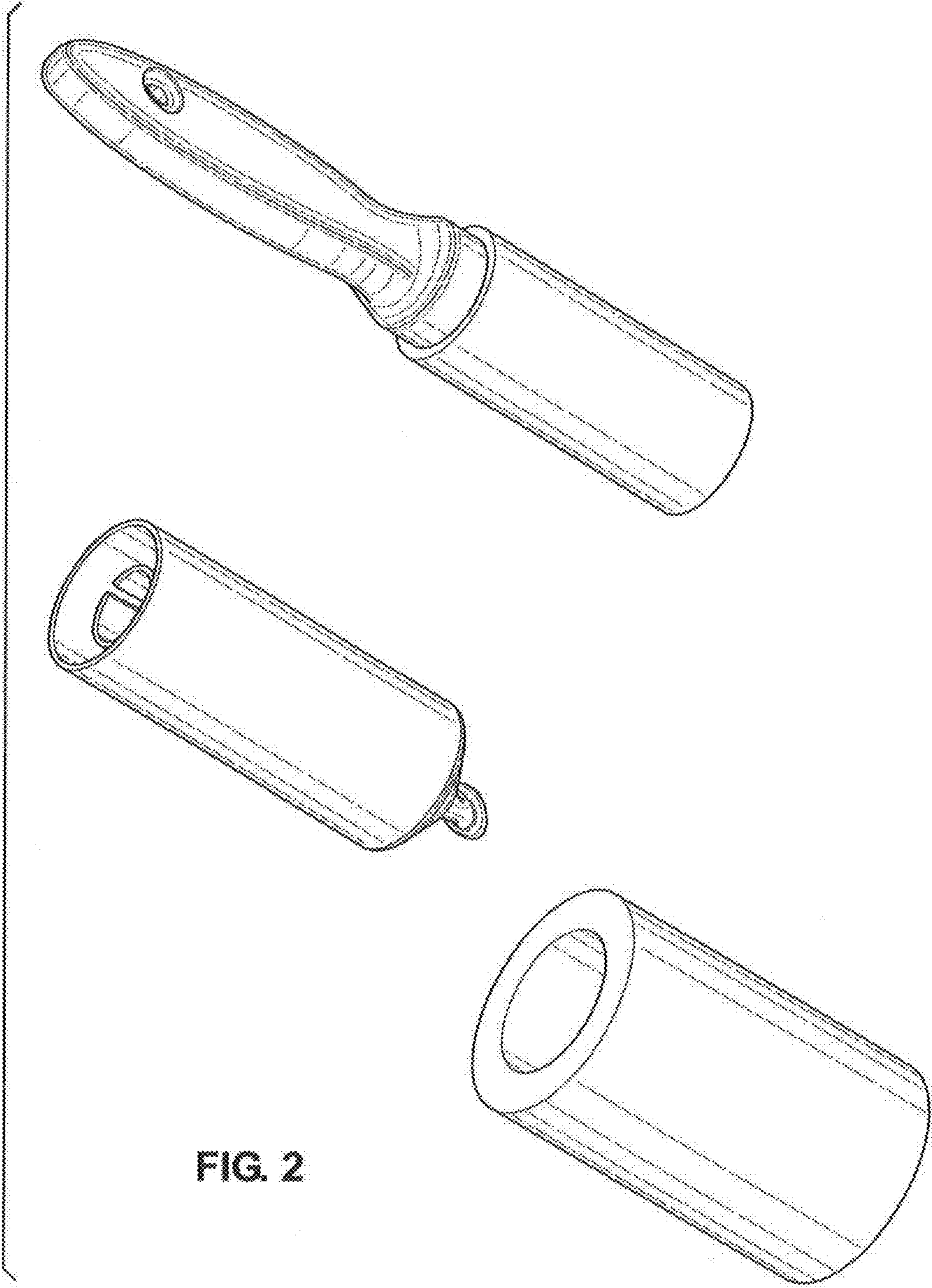


FIG. 2

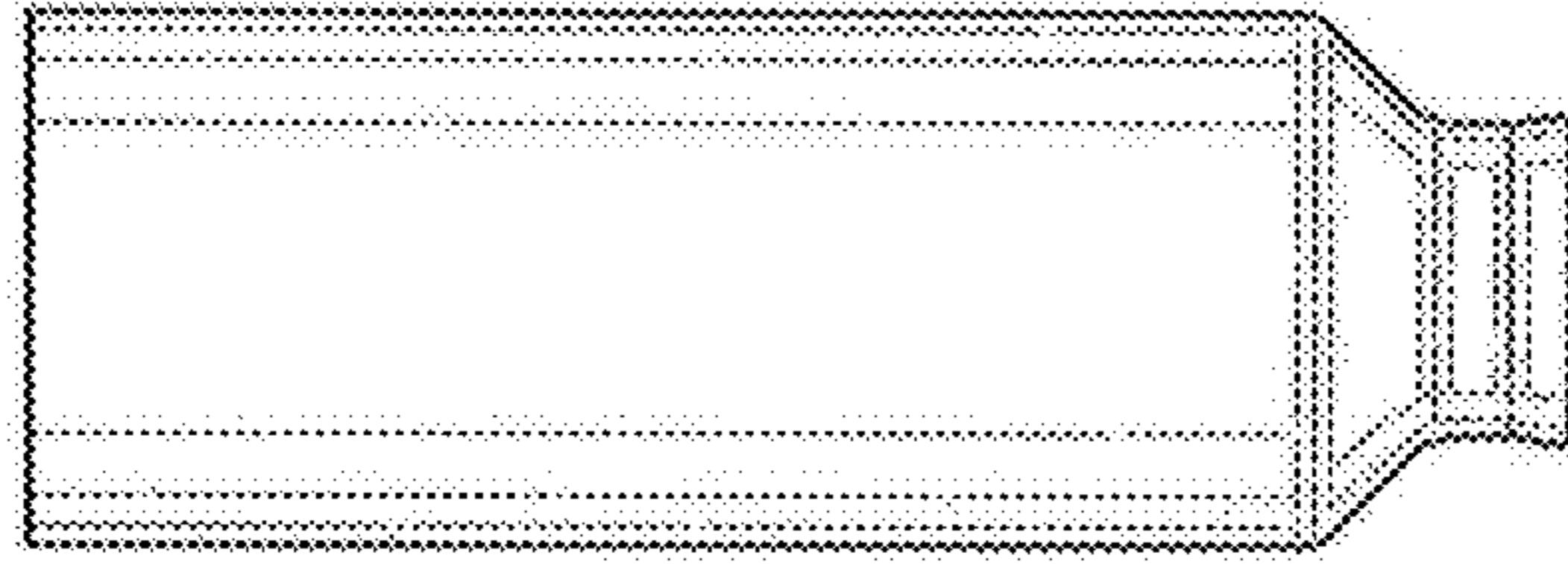
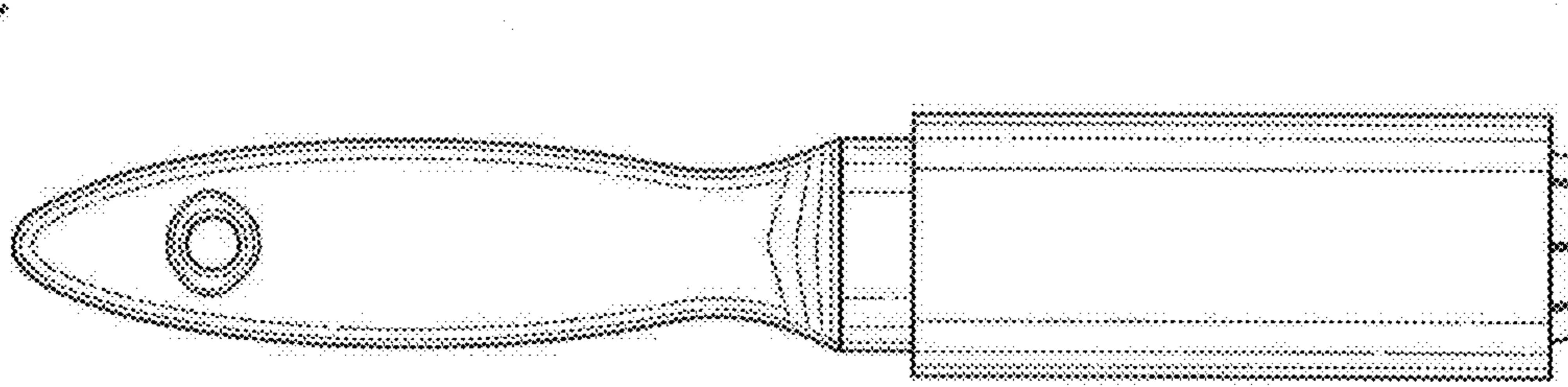
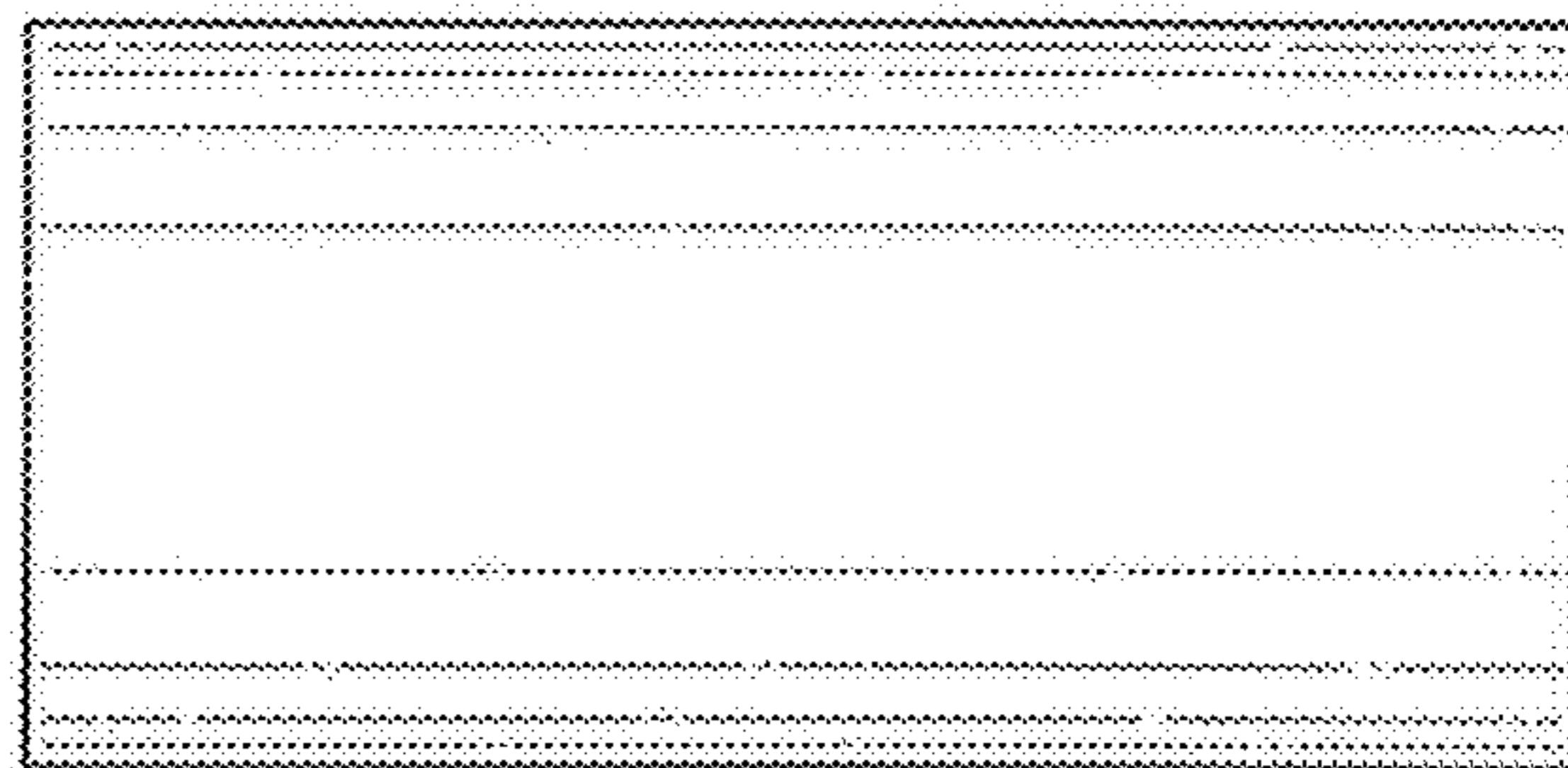


FIG. 3



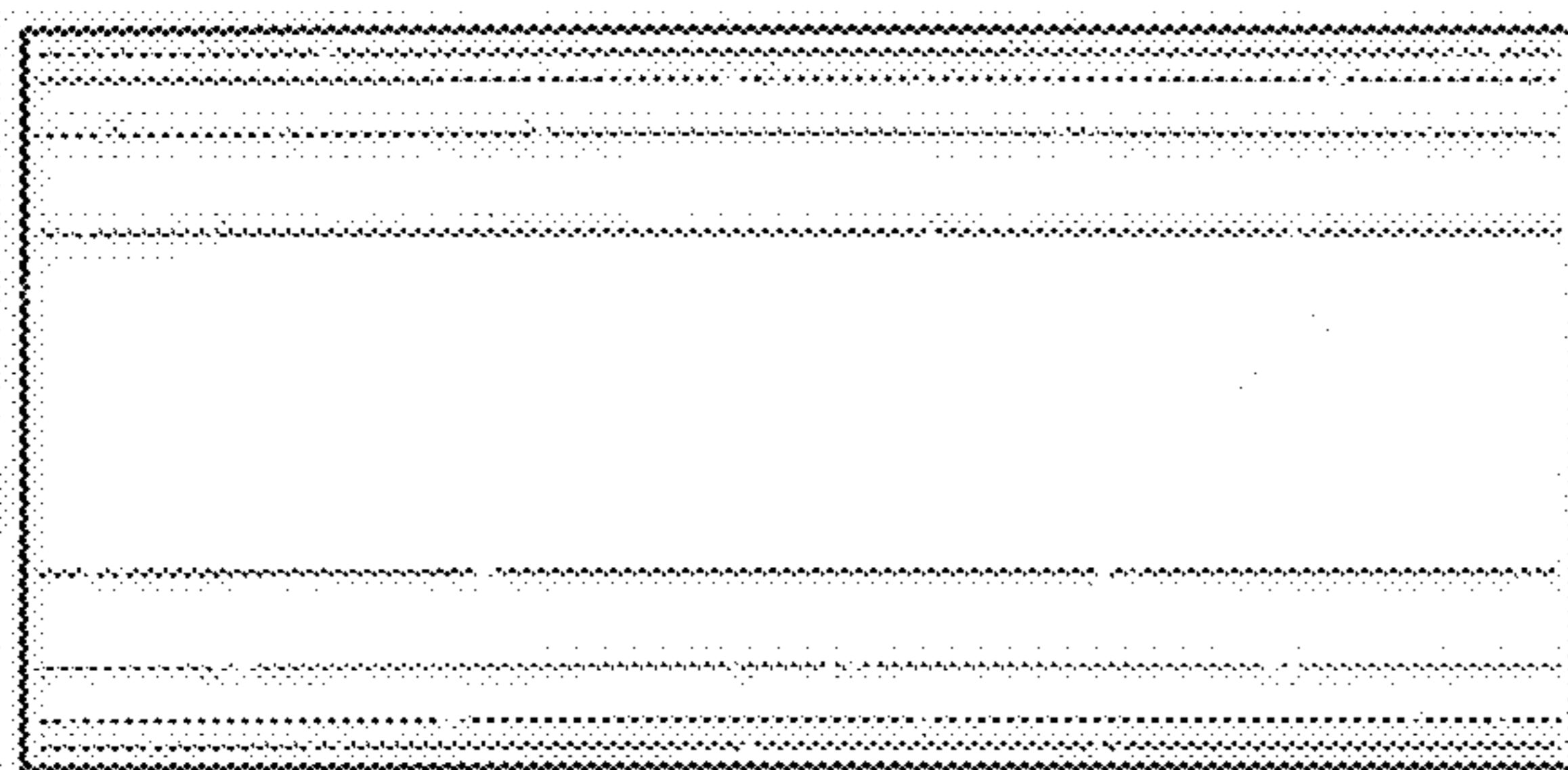
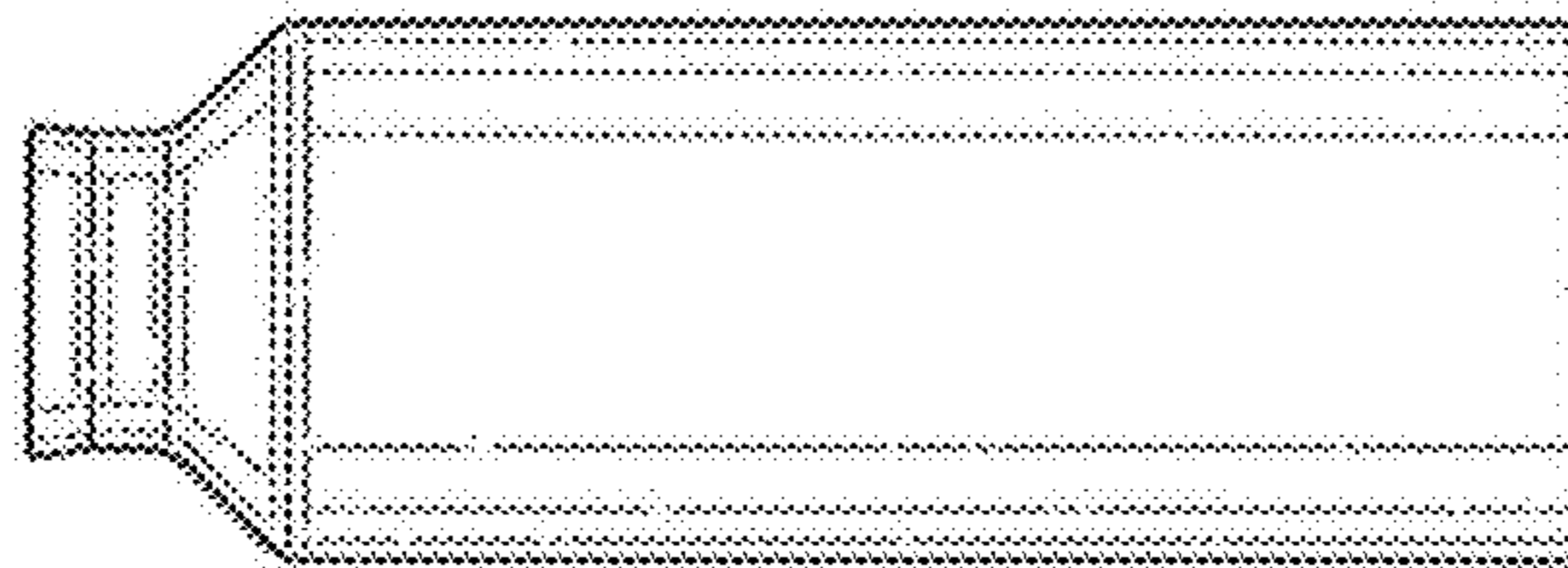
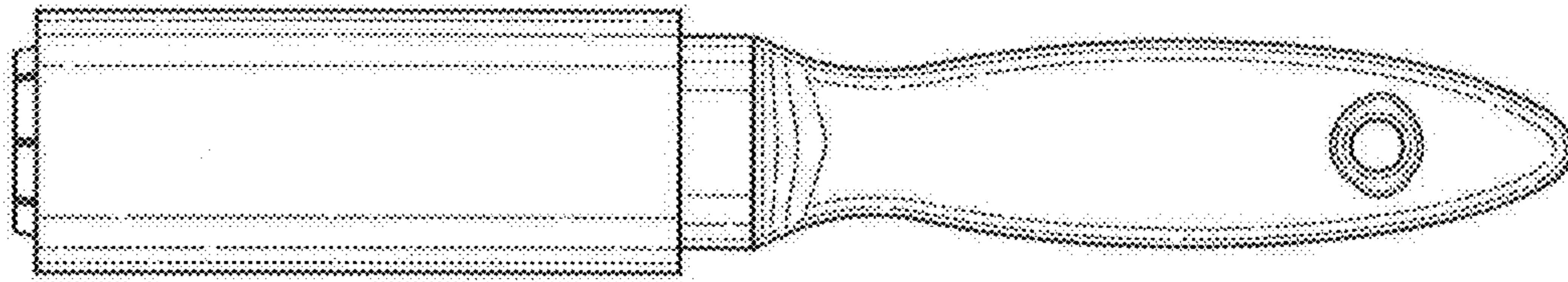


FIG. 4

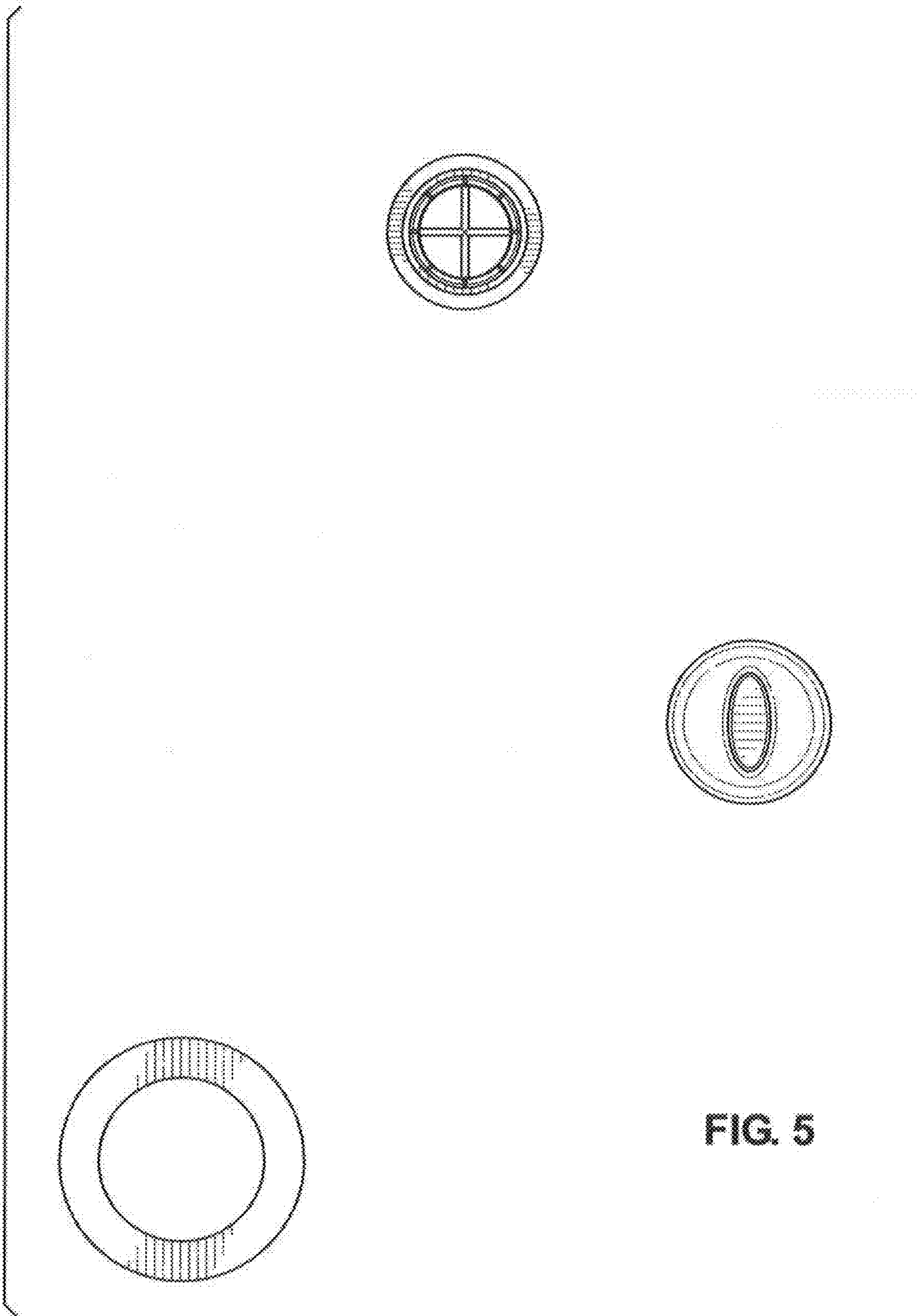


FIG. 5

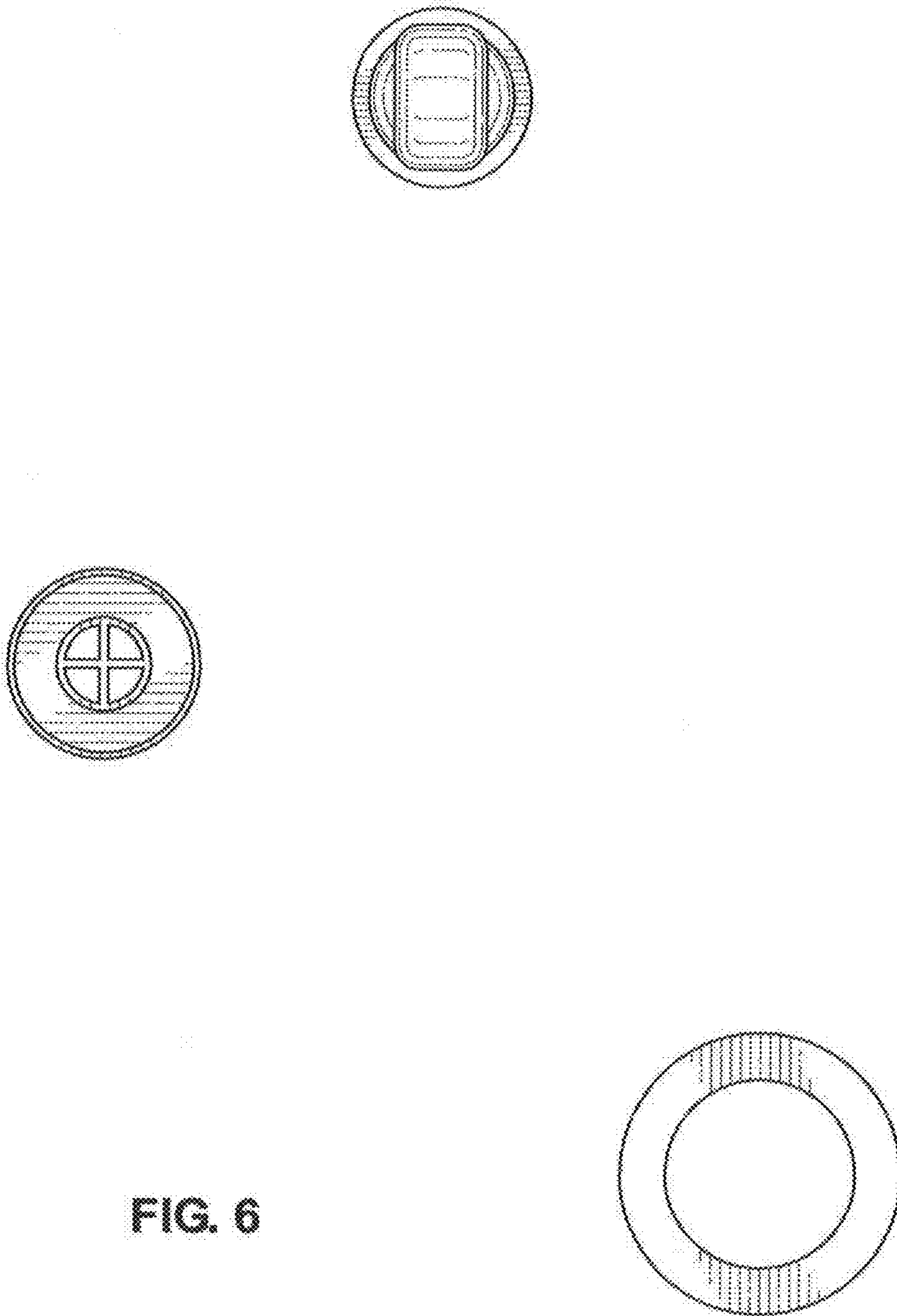


FIG. 6



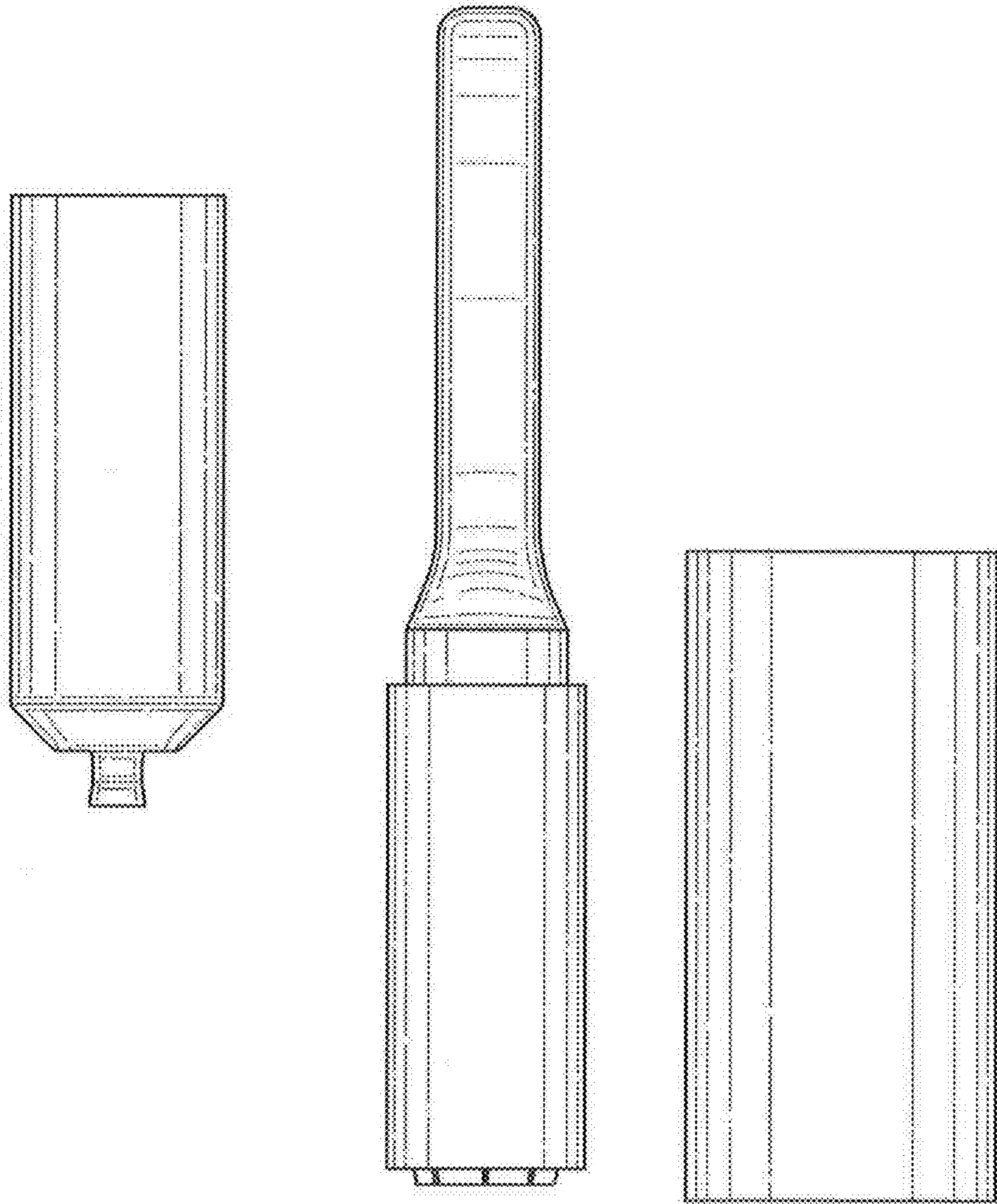


FIG. 7

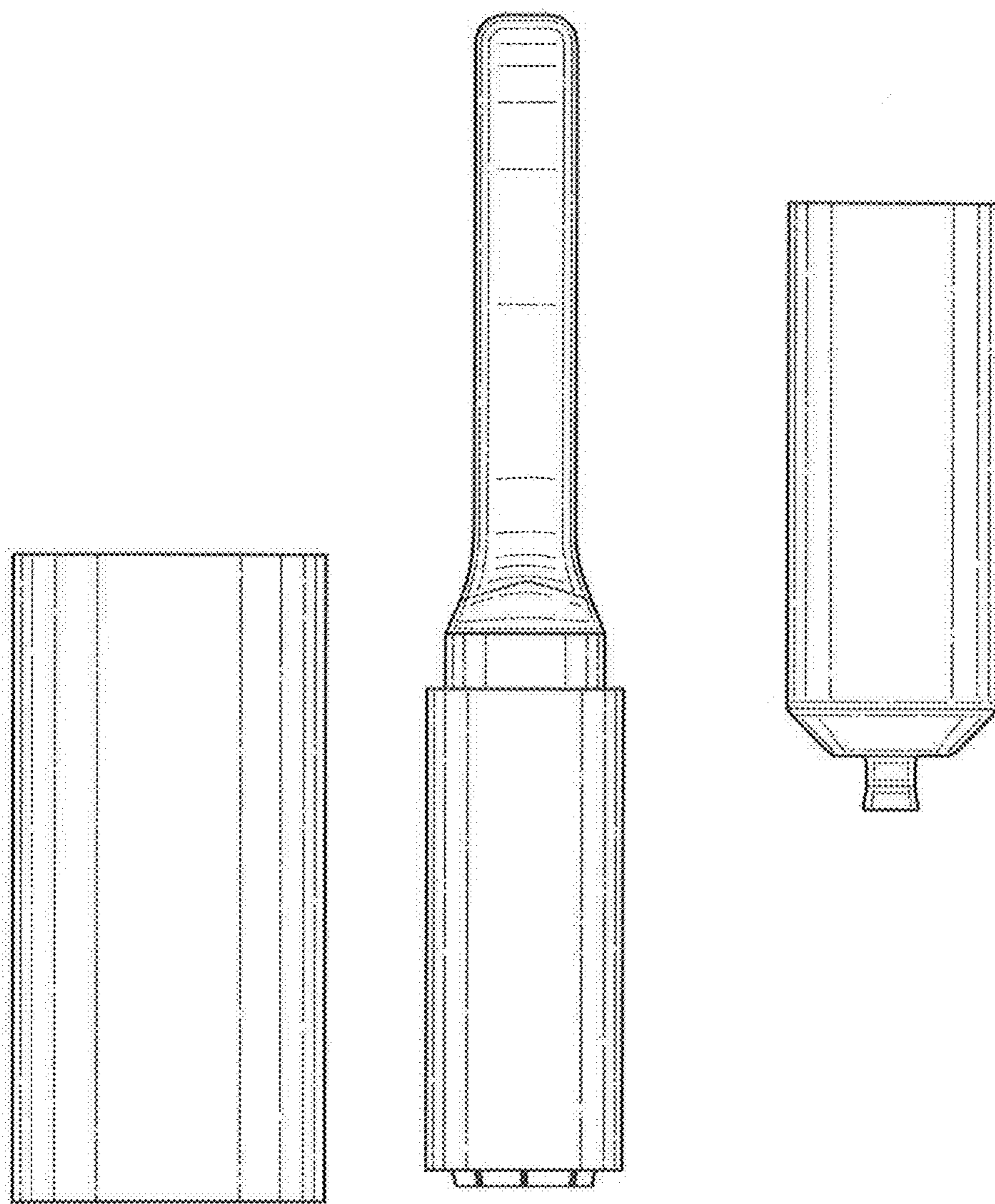


FIG. 8

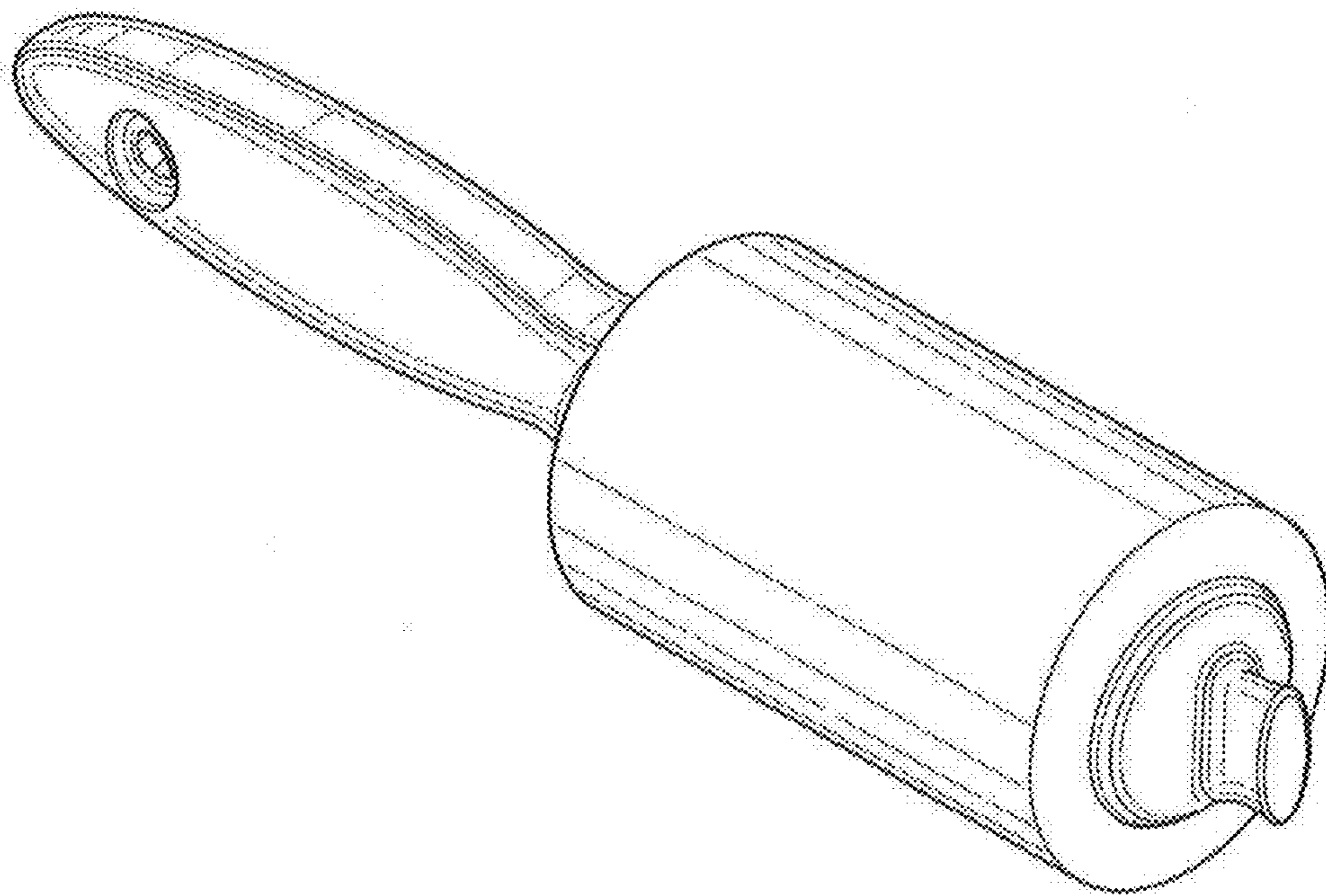


FIG. 9

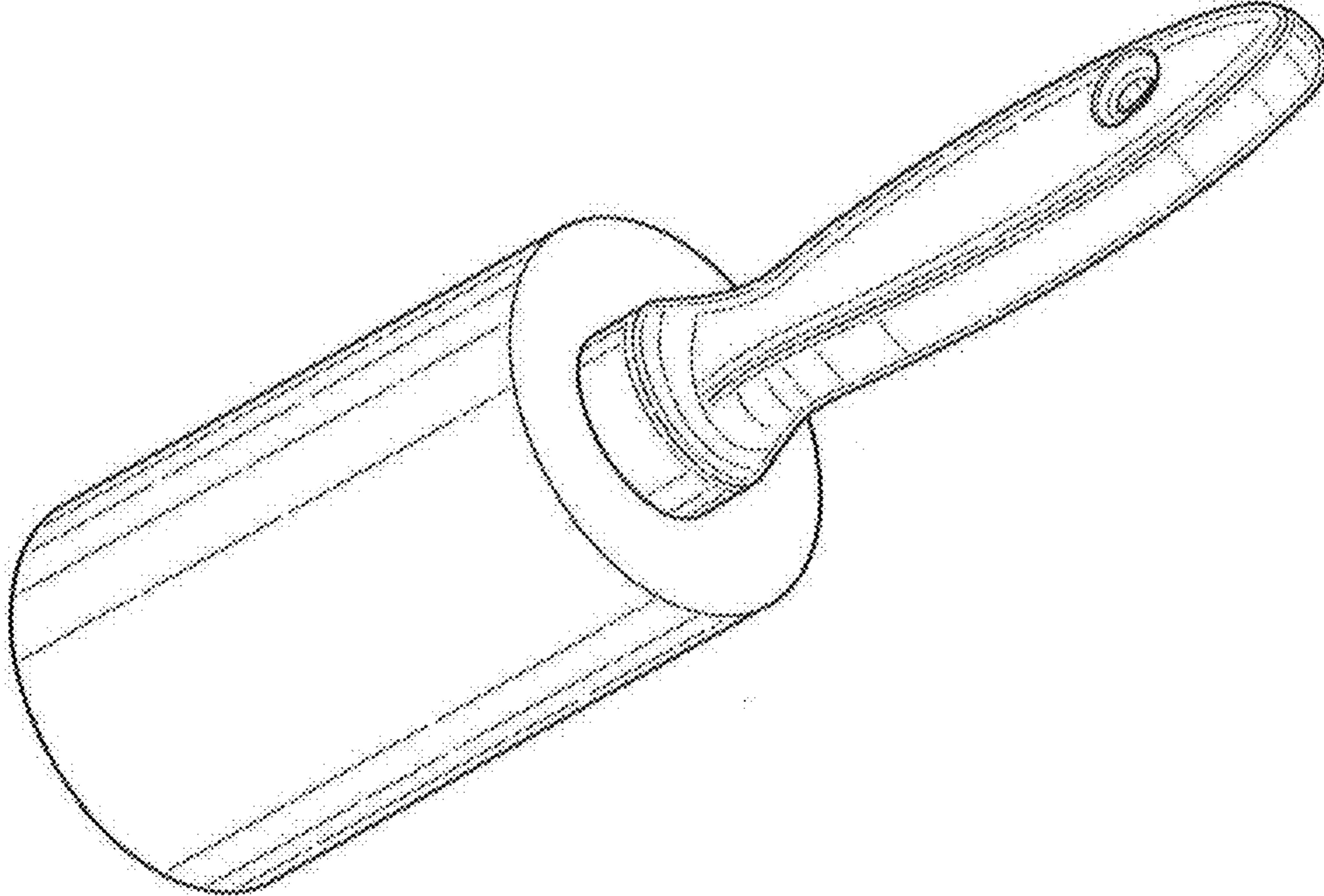


FIG. 10

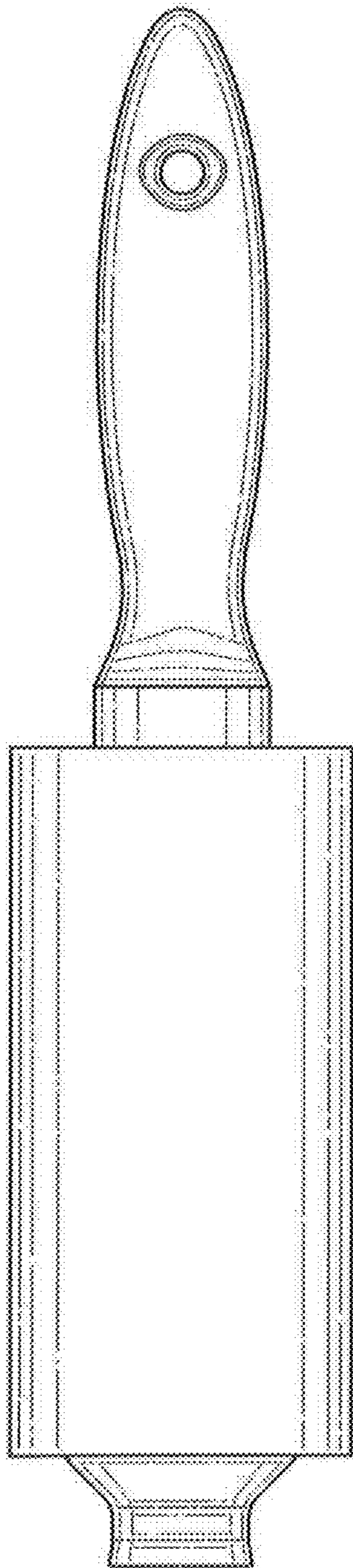


FIG. 11

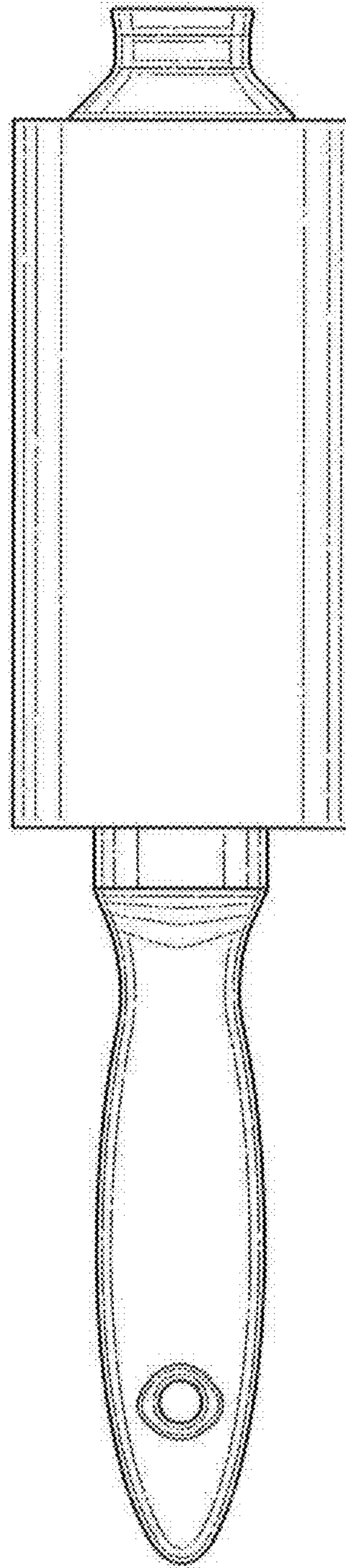
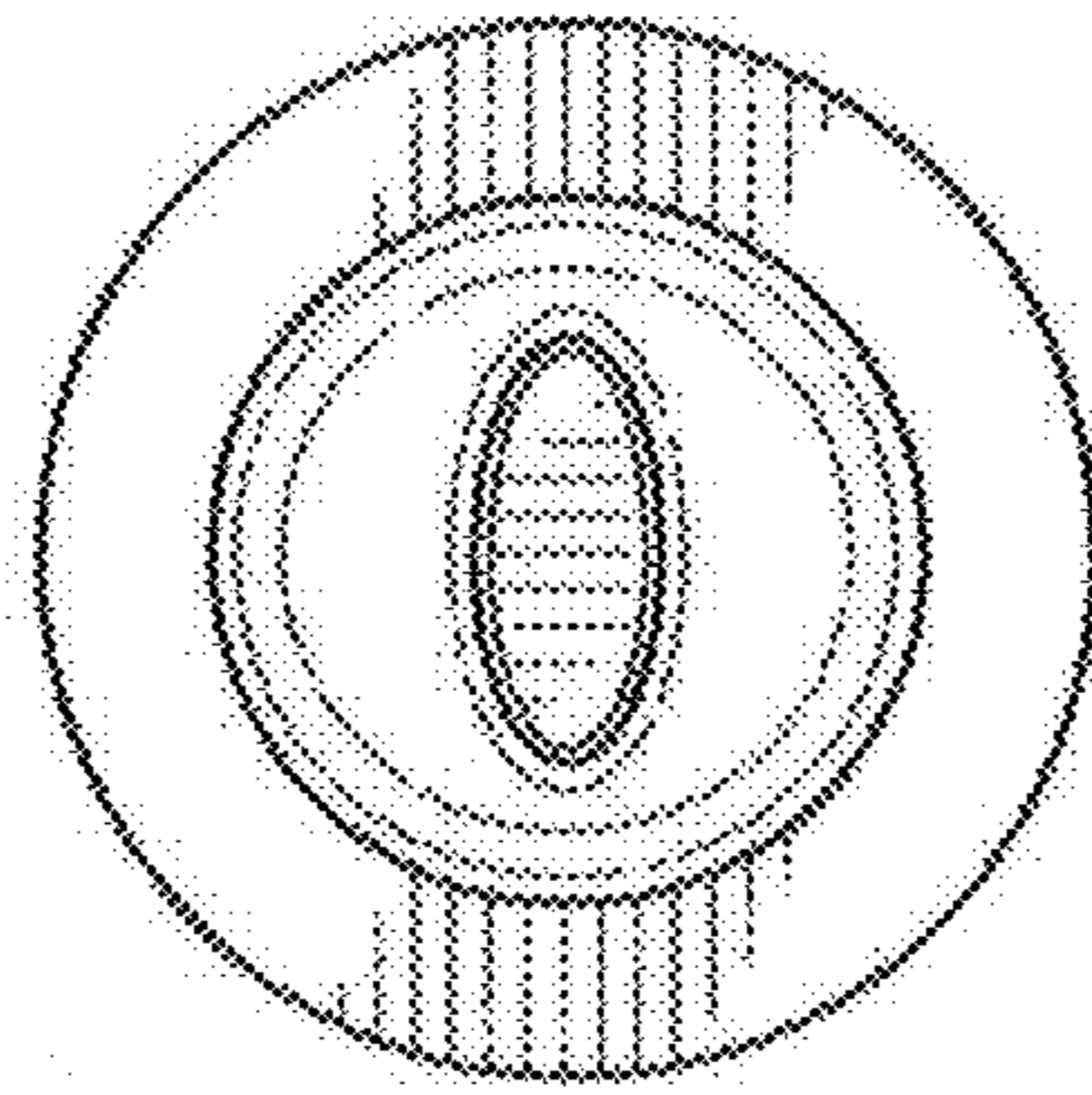
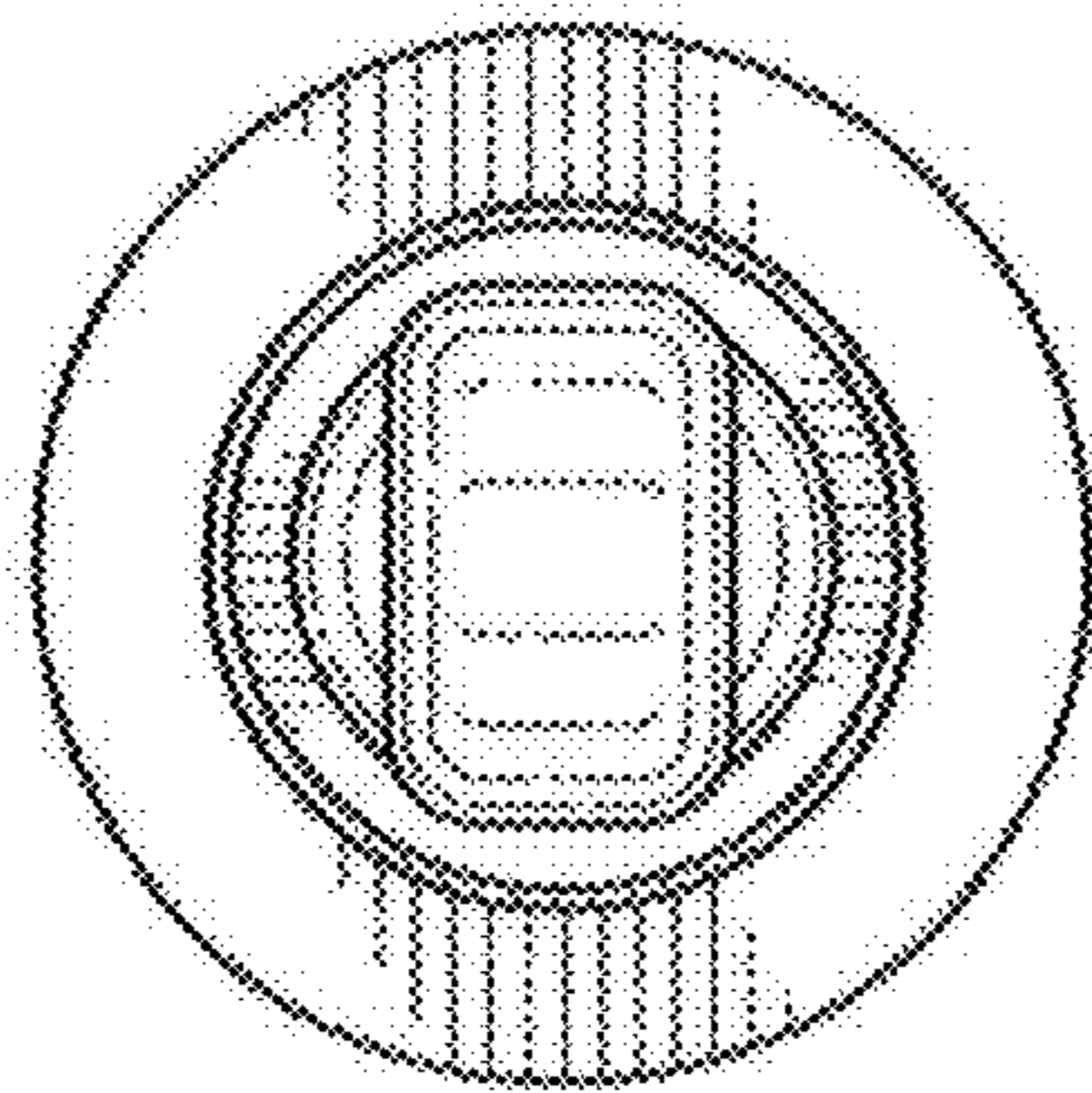


FIG. 12



**FIG. 13**



**FIG. 14**

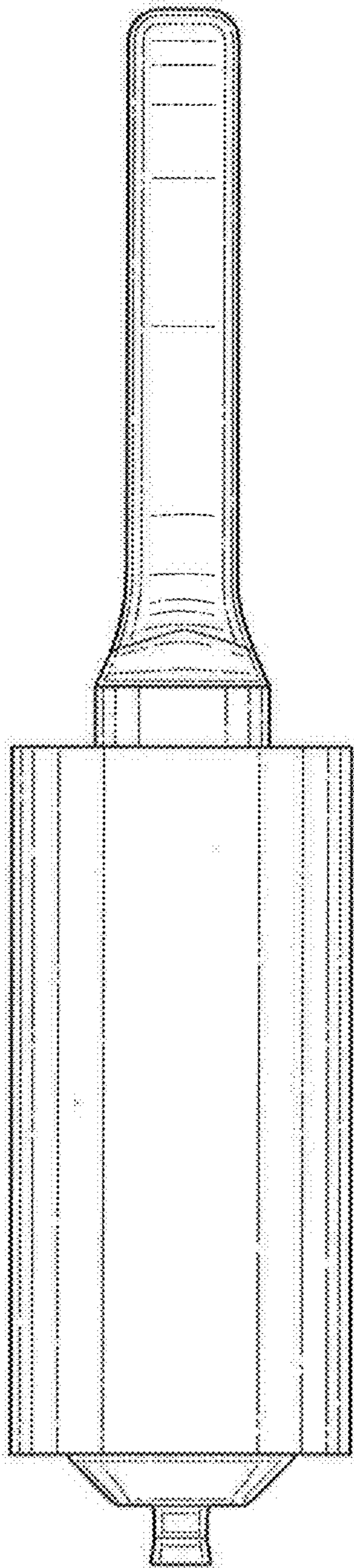


FIG. 15

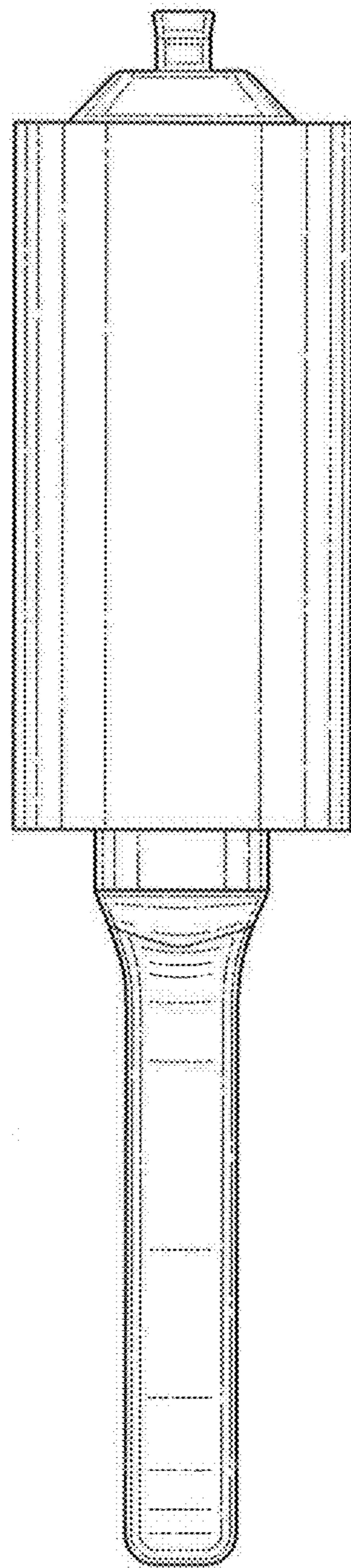


FIG. 16