



US00D818715S

(12) **United States Design Patent**
Mutoh et al.

(10) **Patent No.:** **US D818,715 S**
(45) **Date of Patent:** **** May 29, 2018**

(54) **SHOPPING BASKET WITH DATA READER**

(71) Applicant: **Panasonic Intellectual Property Management Co., Ltd., Osaka (JP)**

(72) Inventors: **Junichi Mutoh, Osaka (JP); Satoshi Tanigawa, Tokyo (JP); Yukio Uno, Tokyo (JP); Yoshihiko Matsukawa, Nara (JP); Tatsuya Miyazaki, Osaka (JP); Tohru Nakamura, Osaka (JP)**

(73) Assignee: **Panasonic Intellectual Property Management Co., Ltd., Osaka (JP)**

(**) Term: **15 Years**

(21) Appl. No.: **29/577,467**

(22) Filed: **Sep. 13, 2016**

(30) **Foreign Application Priority Data**

Mar. 14, 2016 (JP) 2016-005461

(51) **LOC (11) Cl.** **03-01**

(52) **U.S. Cl.**
USPC **D3/318**

(58) **Field of Classification Search**
USPC D3/307, 318; D34/27
CPC .. A45C 5/14; A45C 9/00; B65D 21/04; B65D 21/048; B65F 1/06; B65F 1/04
See application file for complete search history.

(56) **References Cited**

U.S. PATENT DOCUMENTS

3,027,045 A * 3/1962 Wilson B65D 21/048
206/505
3,434,625 A * 3/1969 Embry, Jr. B65F 1/06
141/331

D317,219 S * 5/1991 Rehrig D34/27
D384,815 S * 10/1997 Rehrig D3/318
D498,591 S * 11/2004 Peng D3/318
8,191,908 B2 * 6/2012 Udall A45C 5/14
280/47.25
D801,049 S * 10/2017 Mutoh D3/304
D804,184 S * 12/2017 Mutoh D3/318

* cited by examiner

Primary Examiner — Holly H Baynham
(74) *Attorney, Agent, or Firm* — Panasonic IP Management; Kerry S. Culpepper

(57) **CLAIM**

We claim the ornamental design for a shopping basket with data reader, as shown and described.

DESCRIPTION

FIG. 1 is a front perspective view of a shopping basket with data reader of the present invention;
FIG. 2 is a rear perspective view thereof;
FIG. 3 is a front view thereof;
FIG. 4 is a rear view thereof;
FIG. 5 is a first side view thereof;
FIG. 6 is a second side view thereof;
FIG. 7 is a top view thereof
FIG. 8 is a bottom view thereof; and,
FIG. 9 is a cross-sectional view taken along the line 9-9 of FIG. 6.

The broken line showing of shopping basket with data reader is included for the purpose of illustrating environment and forms no part of the claimed design.

1 Claim, 9 Drawing Sheets

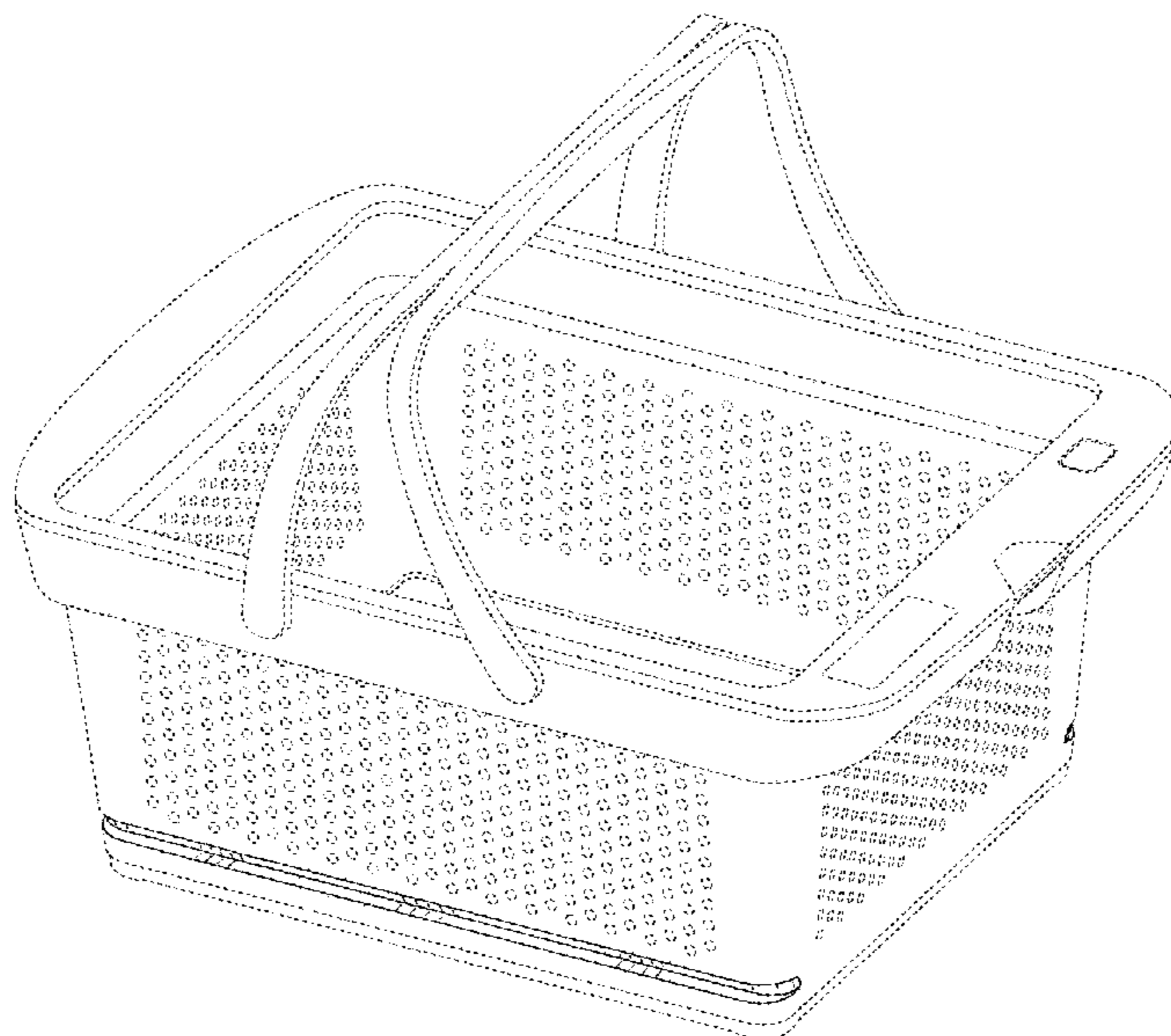


FIG. 1

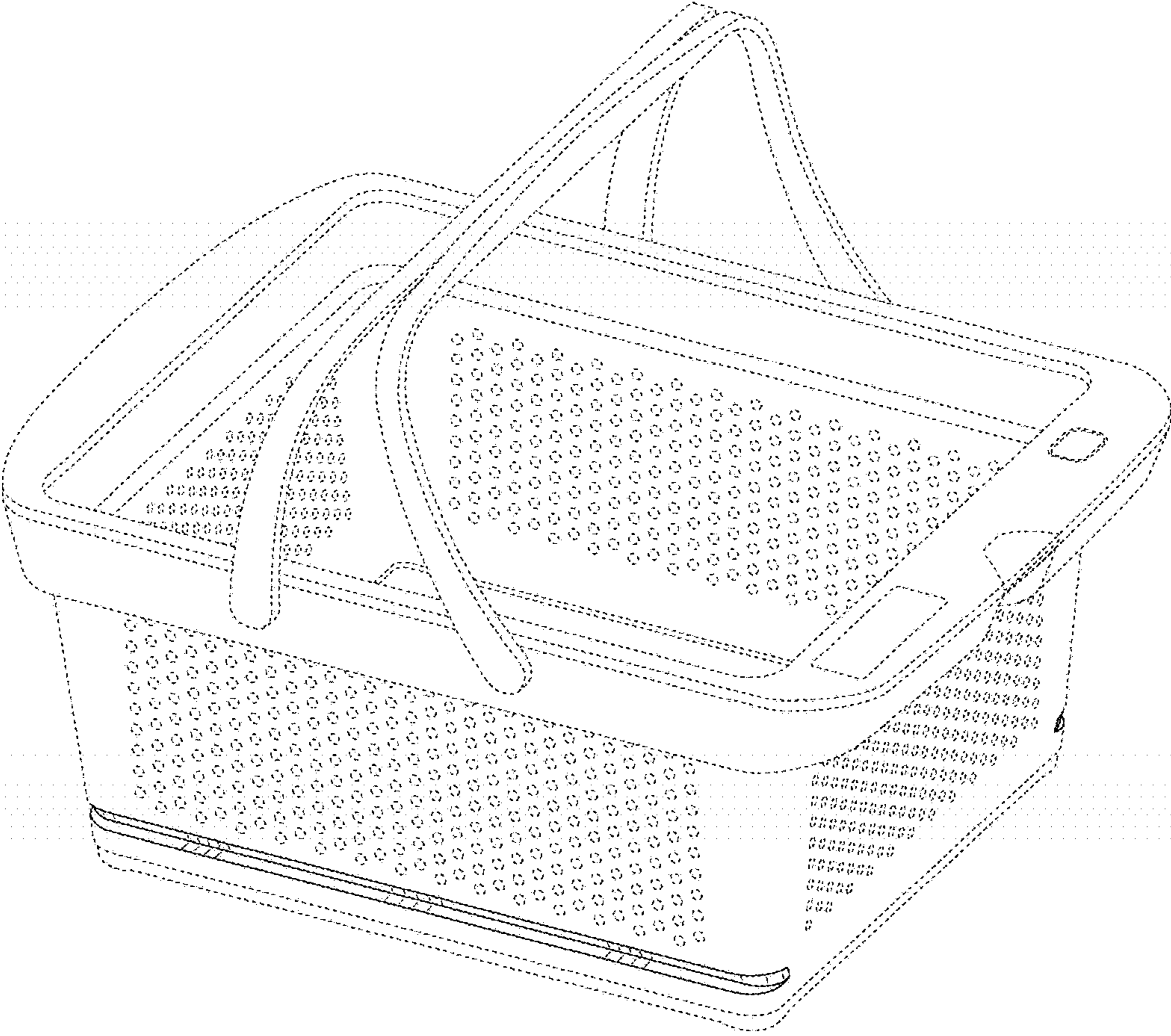


FIG. 2

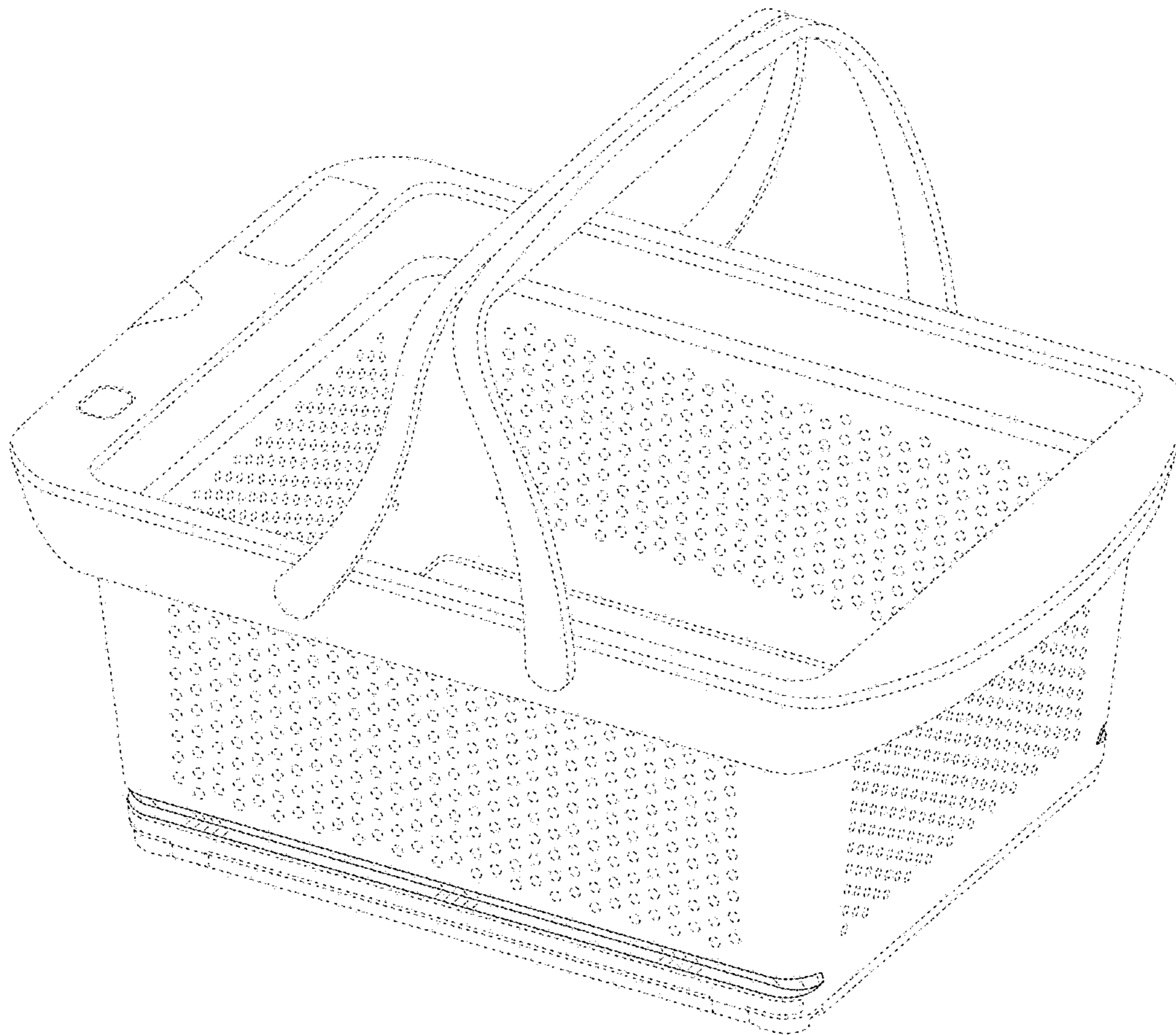


FIG. 3

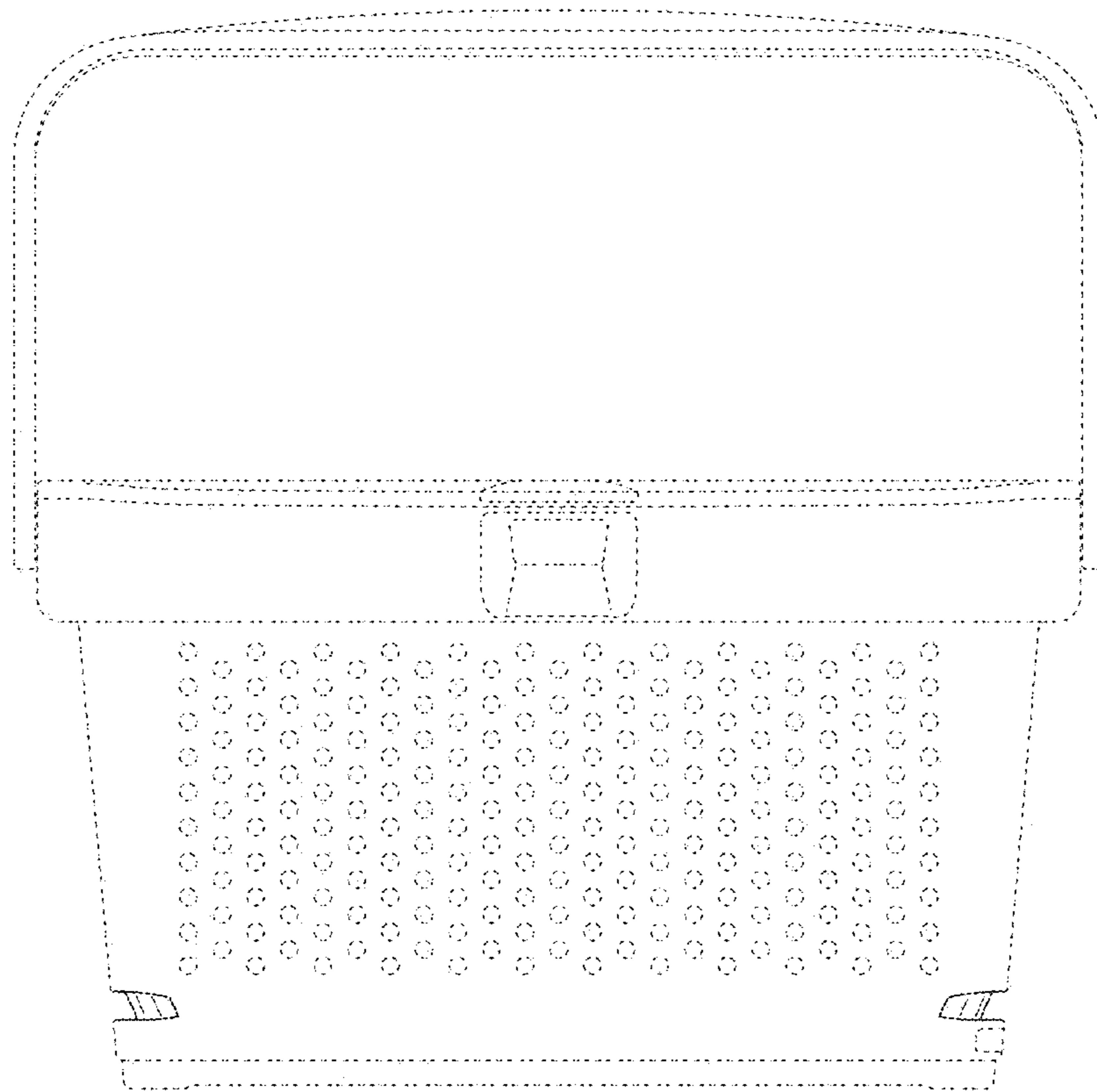


FIG. 4

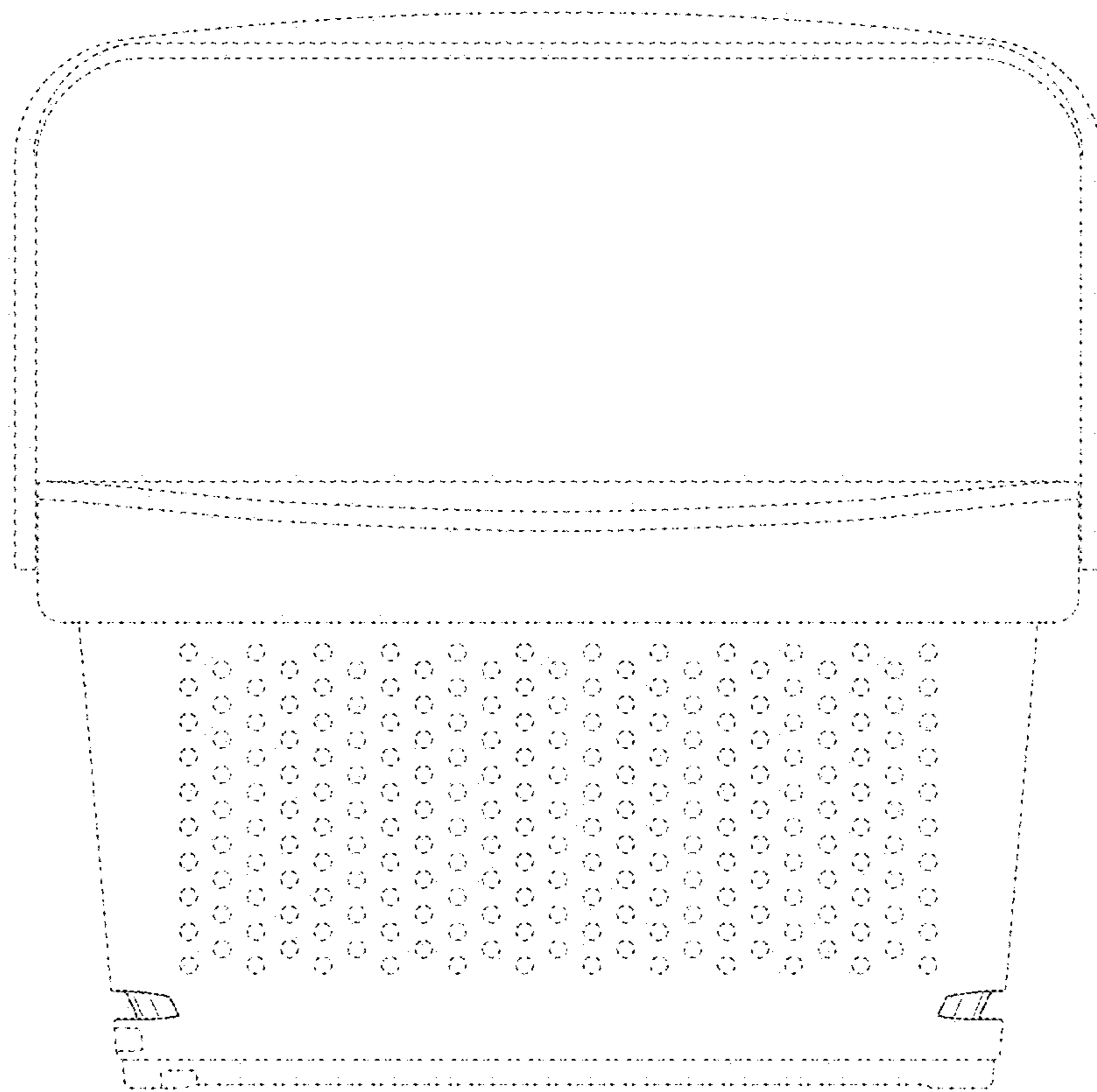


FIG. 5

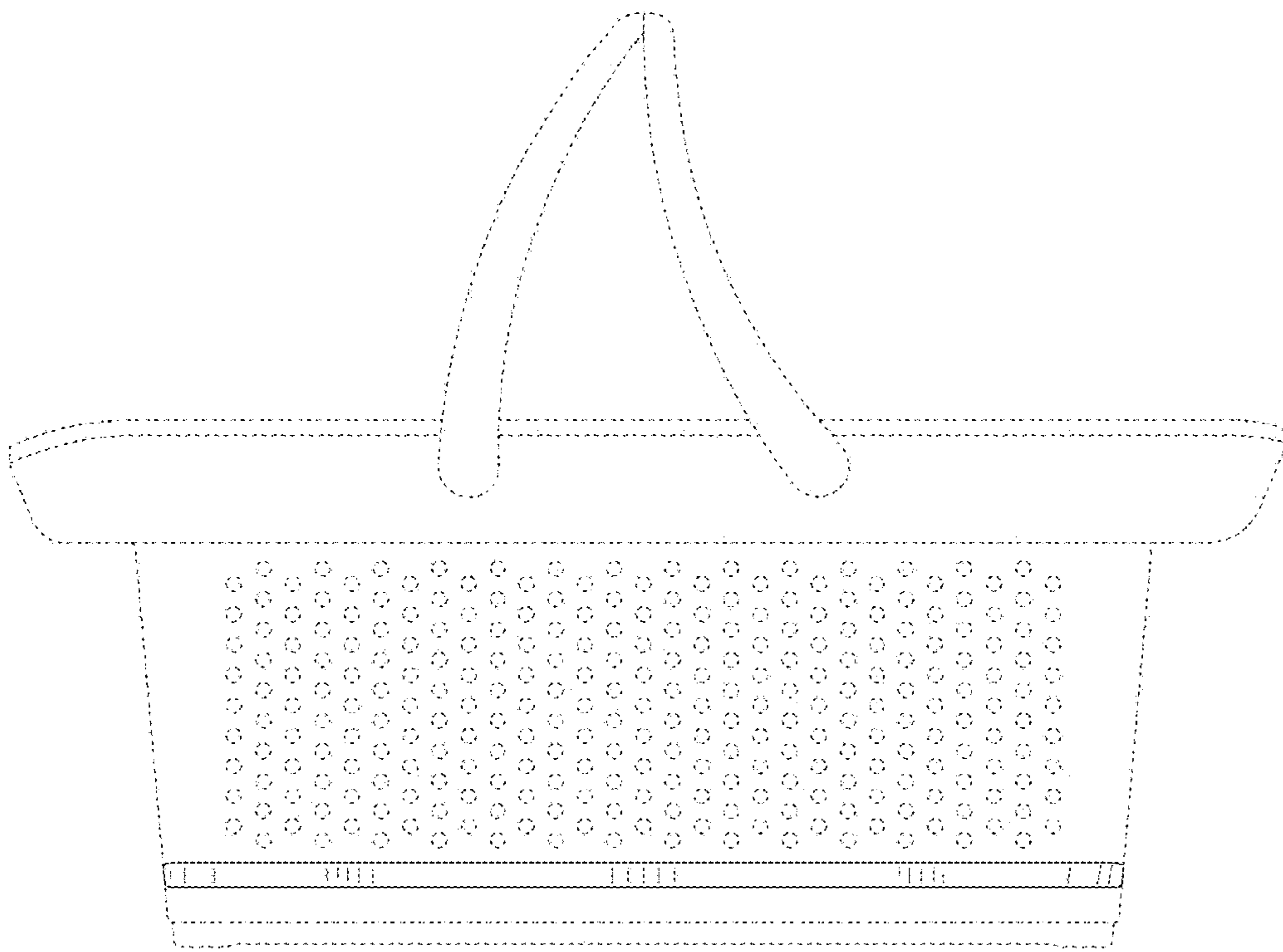


FIG. 6



FIG. 7

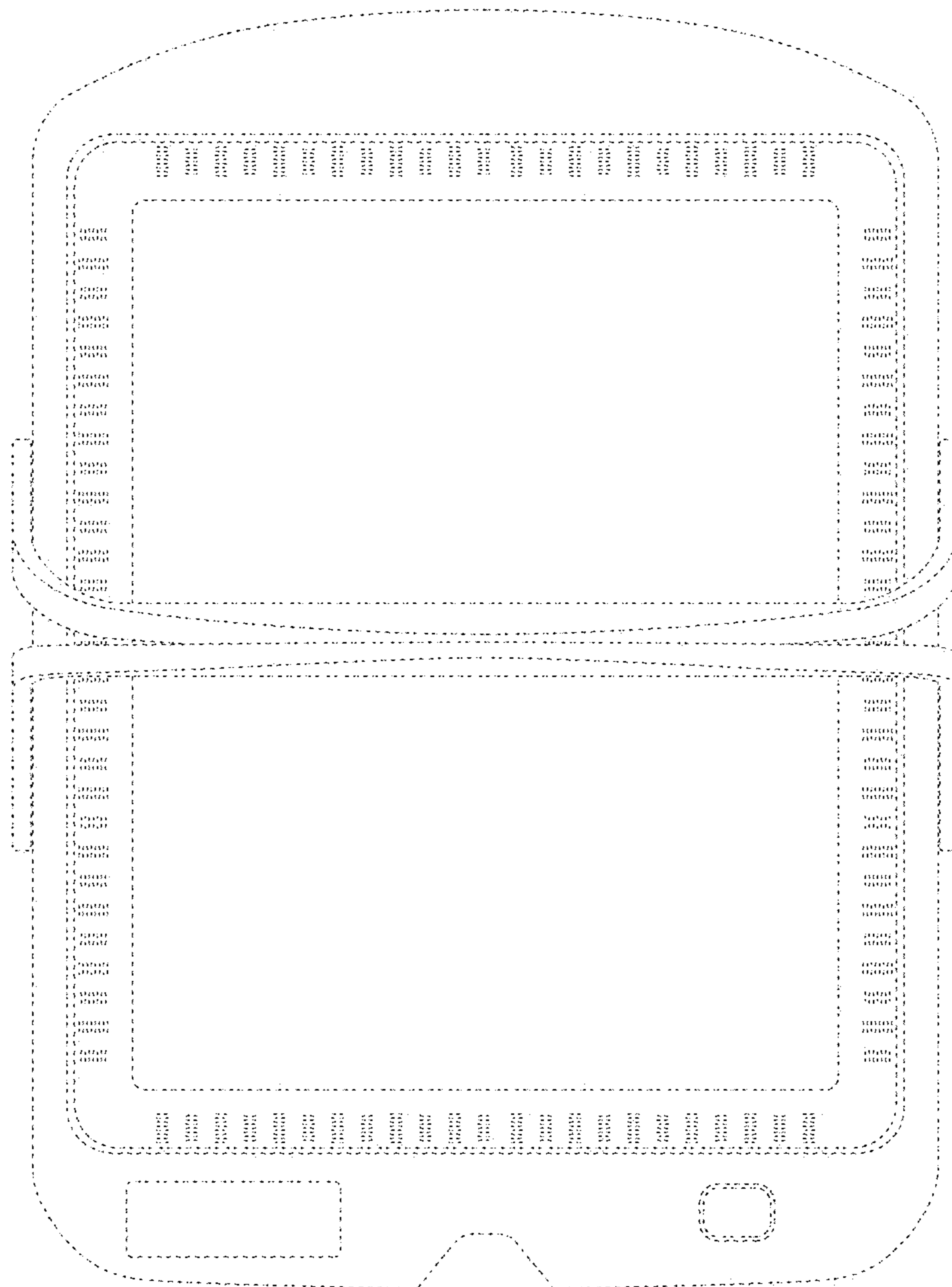


FIG. 8

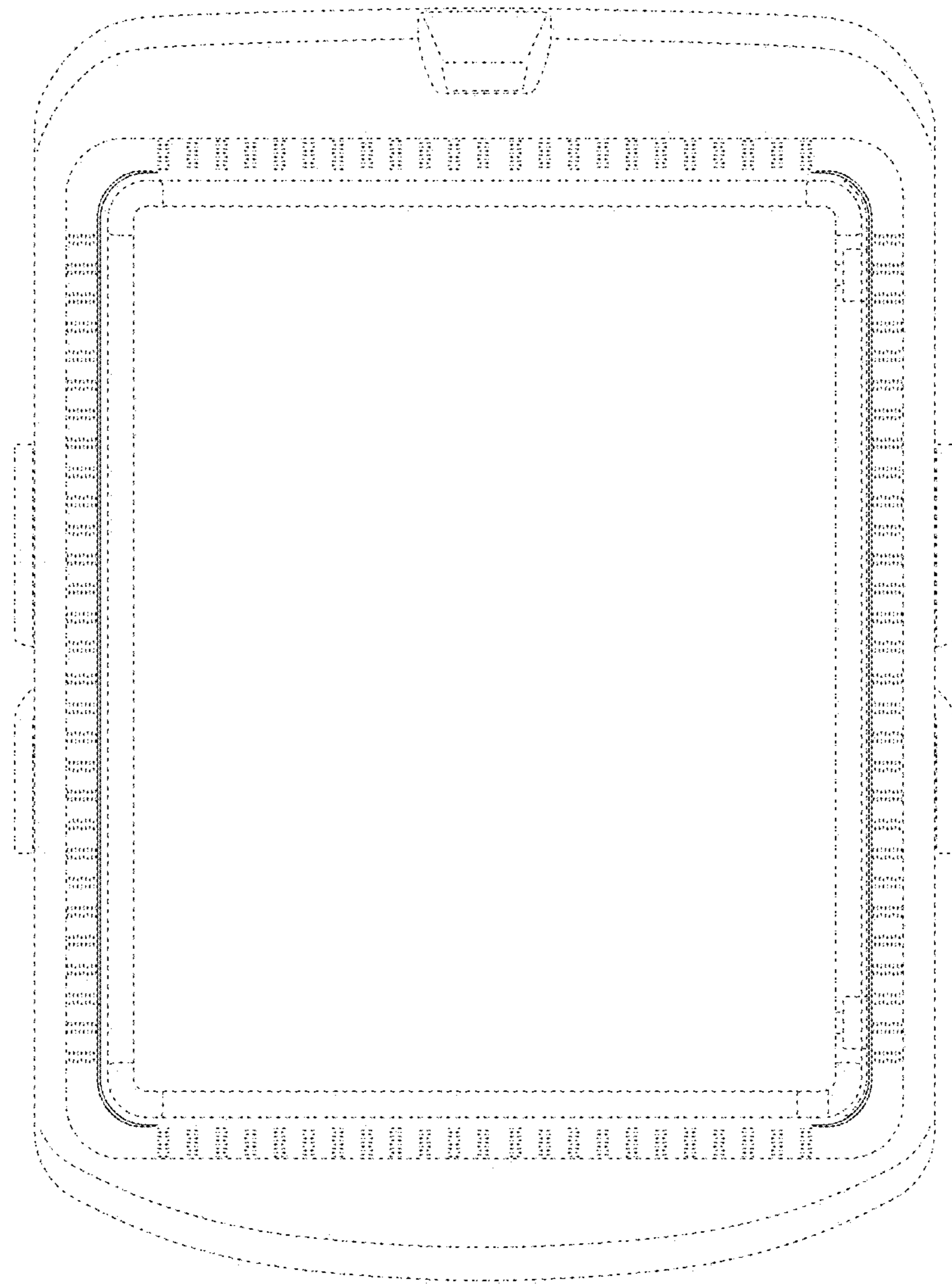


FIG. 9

