



US00D818712S

(12) **United States Design Patent** (10) **Patent No.:** **US D818,712 S**
Fleming et al. (45) **Date of Patent:** **** May 29, 2018**

(54) **STORAGE CONTAINER**

(71) Applicants: **Kristie Fleming**, Alpharetta, GA (US);
James Waide Fleming, Alpharetta, GA (US)

(72) Inventors: **Kristie Fleming**, Alpharetta, GA (US);
James Waide Fleming, Alpharetta, GA (US)

(**) Term: **15 Years**

(21) Appl. No.: **29/588,895**

(22) Filed: **Dec. 23, 2016**

(51) **LOC (11) Cl.** **03-01**

(52) **U.S. Cl.**
USPC **D3/294**

(58) **Field of Classification Search**
USPC D9/414, 420-426, 429-432, 737,
D9/756-762; D7/538, 540-542, 550.1,
(Continued)

(56) **References Cited**

U.S. PATENT DOCUMENTS

- 2,396,346 A * 3/1946 Roody, Jr. A45C 11/20
206/509
D306,182 S * 2/1990 Ukisu D3/271.1
(Continued)

Primary Examiner — Cathron C Brooks

Assistant Examiner — W. A. Teddy Falloway

(74) *Attorney, Agent, or Firm* — Ballard Spahr LLP

(57) **CLAIM**

The ornamental design for a storage container, as shown and described.

DESCRIPTION

FIG. 1 is a top perspective view of a storage container of the present invention.

FIG. 2 is a rear perspective view of the storage container of FIG. 1.

FIG. 3 is a front elevational view of the storage container of FIG. 1.

FIG. 4 is a rear elevational view of the storage container of FIG. 1.

FIG. 5 is a right side elevational view of the storage container of FIG. 1; the left side elevational view of the storage container being a mirror image thereof.

FIG. 6 is a top plan view of the storage container of FIG. 1.

FIG. 7 is a bottom plan view of the storage container of FIG. 1.

FIG. 8 is a cross-sectional view of the storage container of FIG. 1, taken along section line A-A as depicted in FIG. 6.

FIG. 9 is a cross-sectional view of the storage container of FIG. 1, taken along section line B-B as depicted in FIG. 6.

FIG. 10 is a cross-sectional view of the storage container of FIG. 1, taken along section line C-C as depicted in FIG. 6.

FIG. 11 is a cross-sectional view of the storage container of FIG. 1, taken along section line D-D as depicted in FIG. 6.

FIG. 12 is a cross-sectional view of the storage container of FIG. 1, taken along section line E-E as depicted in FIG. 6.

FIG. 13 is a cross-sectional view of the storage container of FIG. 1, taken along section line F-F as depicted in FIG. 6.

FIG. 14 is a cross-sectional view of the storage container of FIG. 1, taken along section line G-G as depicted in FIG. 6.

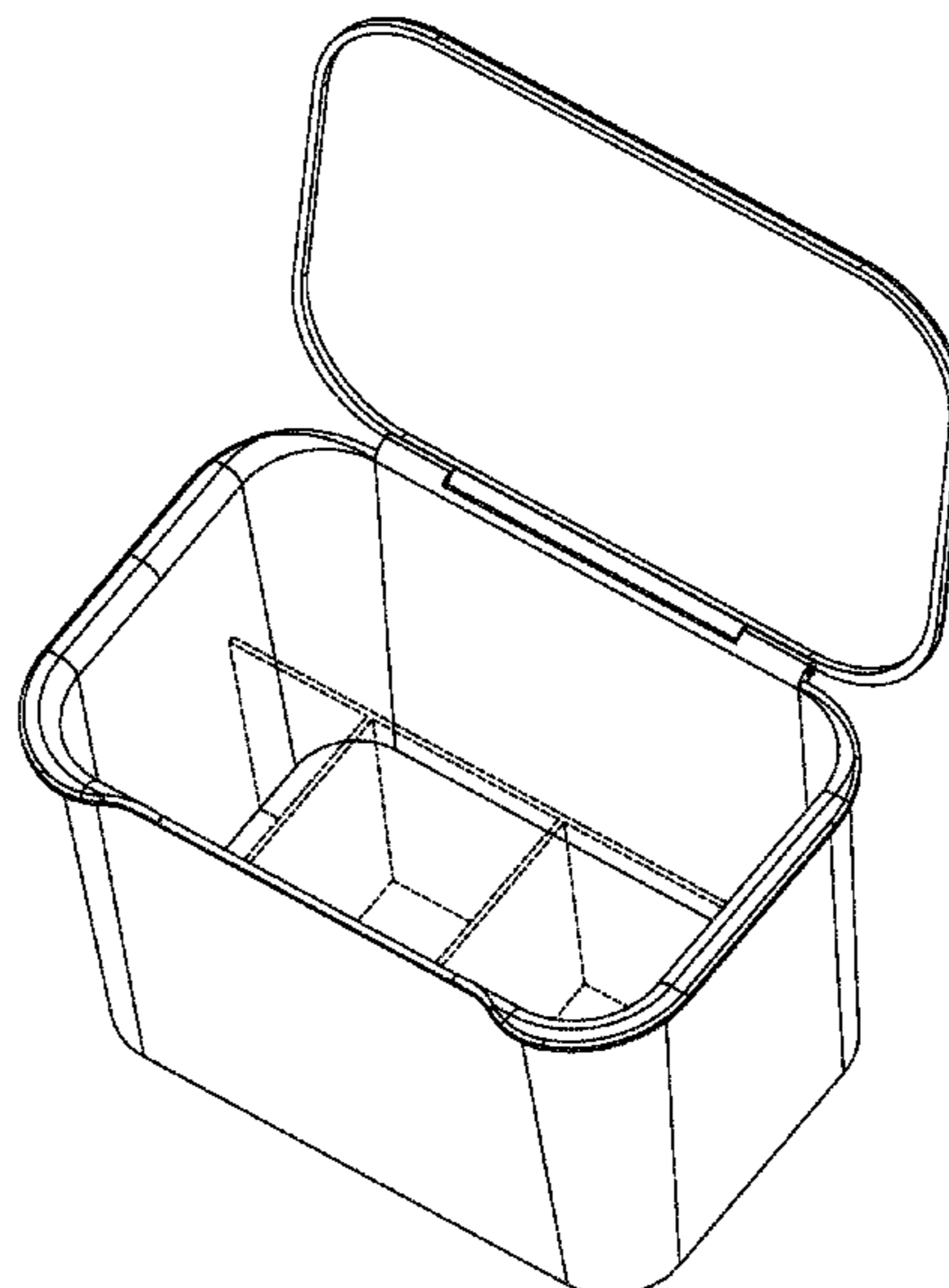
FIG. 15 is a cross-sectional view of the storage container of FIG. 1, taken along section line H-H as depicted in FIG. 6.

FIG. 16 is a cross-sectional view of the storage container of FIG. 1, taken along section line I-I as depicted in FIG. 6; and,

FIG. 17 is a cross-sectional view of the storage container of FIG. 1, taken along section line J-J as depicted in FIG. 6.

The broken lines shown on the storage container in FIGS. 1-17 are for illustrative purposes only and form no part of the claimed design.

1 Claim, 17 Drawing Sheets



US D818,712 S

Page 2

(58) **Field of Classification Search**

USPC .. D7/553.1-553.3, 554.1, 554.3, 554.4, 555,
D7/557, 584, 586, 601, 602, 610, 611,
D7/614, 615, 701, 703, 707, 708;
D3/206, 270, 294, 273, 203.3, 276, 282,
D3/284, 293, 295-298, 302, 315, 901,
D3/903, 905; 206/488, 457, 776, 551,
206/754, 755, 804, 817, 589, 579;
220/780-806, 475, 674, 675, 4.21-4.24,
220/555, 556, 810, 836, 837, 841, 366.1,
220/467; 229/906, 902, 904, 406, 407,
229/903, 110; 426/106
CPC B65D 21/0223; B65D 75/24; B65D 75/32;
B65D 75/324; B65D 81/025; B65D 1/36;
B65D 2543/00194; B65D 2543/00296;
B65D 2543/00203; B65D 2543/00351;
B65D 2543/00425; B65D 85/60; B65D
43/162

See application file for complete search history.

(56) **References Cited**

U.S. PATENT DOCUMENTS

D308,340 S * 6/1990 Ilsen D3/302
5,036,997 A * 8/1991 May B65D 43/24
220/4.22
D327,220 S * 6/1992 Proffitt D9/423

D332,917 S * 2/1993 McDevitt D9/423
5,213,226 A * 5/1993 Nichols A47J 36/027
220/263
D384,502 S * 10/1997 Seager D3/294
D409,484 S * 5/1999 Tasker D9/423
D473,137 S * 4/2003 Cadiente B65D 43/162
D9/423
D483,664 S * 12/2003 Cadiente D9/418
7,055,690 B1 * 6/2006 Valdez A47F 3/14
206/215
D548,069 S * 8/2007 Sagel D9/425
D639,065 S * 6/2011 Duvigneau D3/302
D643,629 S * 8/2011 Sofy D3/302
D655,577 S * 3/2012 Samartgis D7/602
D655,578 S * 3/2012 Samartgis D7/602
D663,614 S * 7/2012 Strilich D9/424
D732,686 S * 6/2015 Lui D24/227
D733,314 S * 6/2015 Lui D24/227
D733,315 S * 6/2015 Lui D24/227
D733,316 S * 6/2015 Lui D24/227
D733,317 S * 6/2015 Lui D24/227
D733,318 S * 6/2015 Lui D24/227
D748,280 S * 1/2016 Lui D24/227
D759,972 S * 6/2016 Duvigneau D3/281
D762,875 S * 8/2016 Lui D24/227
D784,629 S * 4/2017 Farrish D3/273
D791,964 S * 7/2017 Lui D24/227
2015/0060455 A1 * 3/2015 Chou B65D 17/24
220/270
2017/0341833 A1 * 11/2017 Tabone B65D 55/06

* cited by examiner

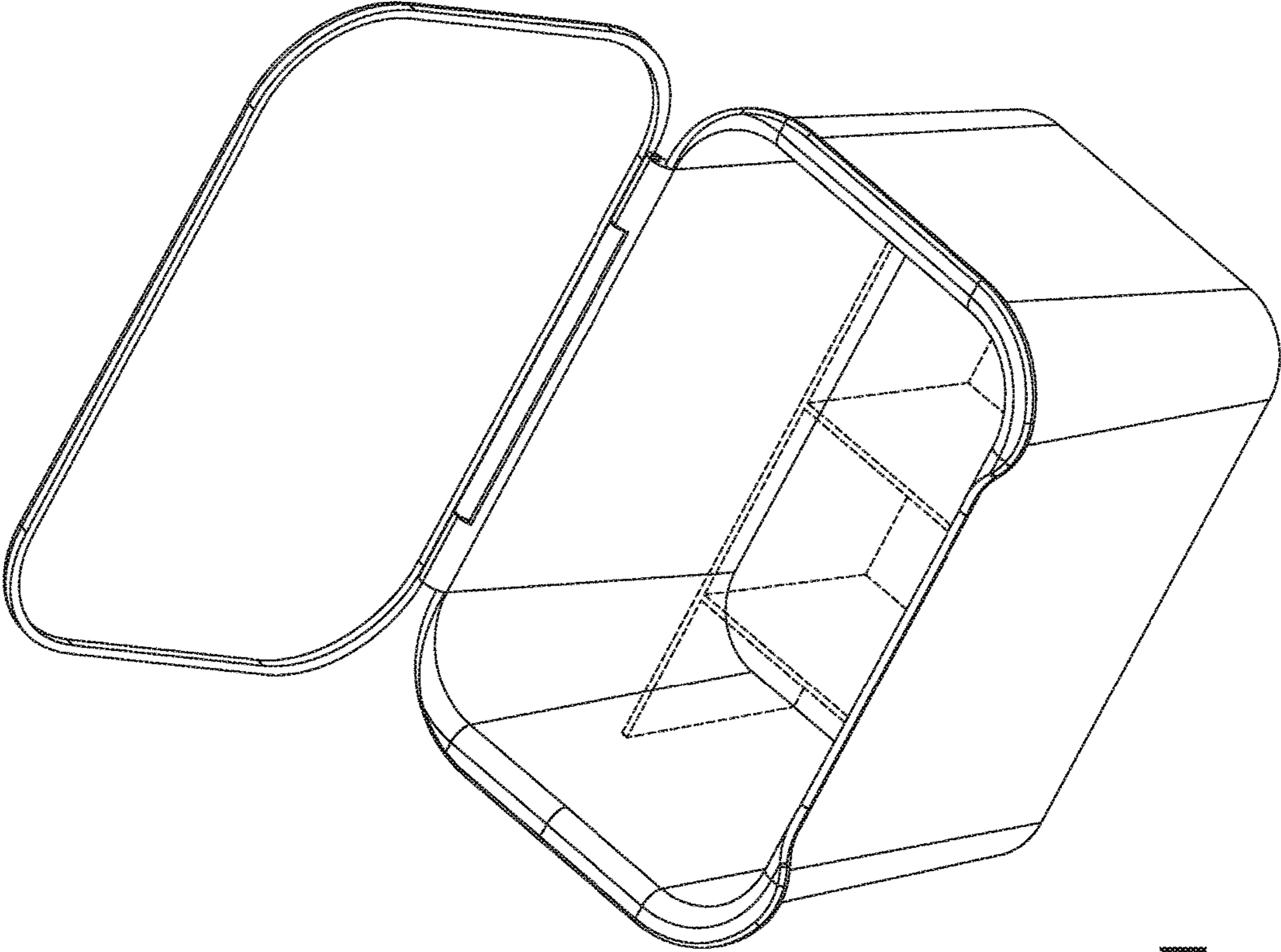


FIG. 1

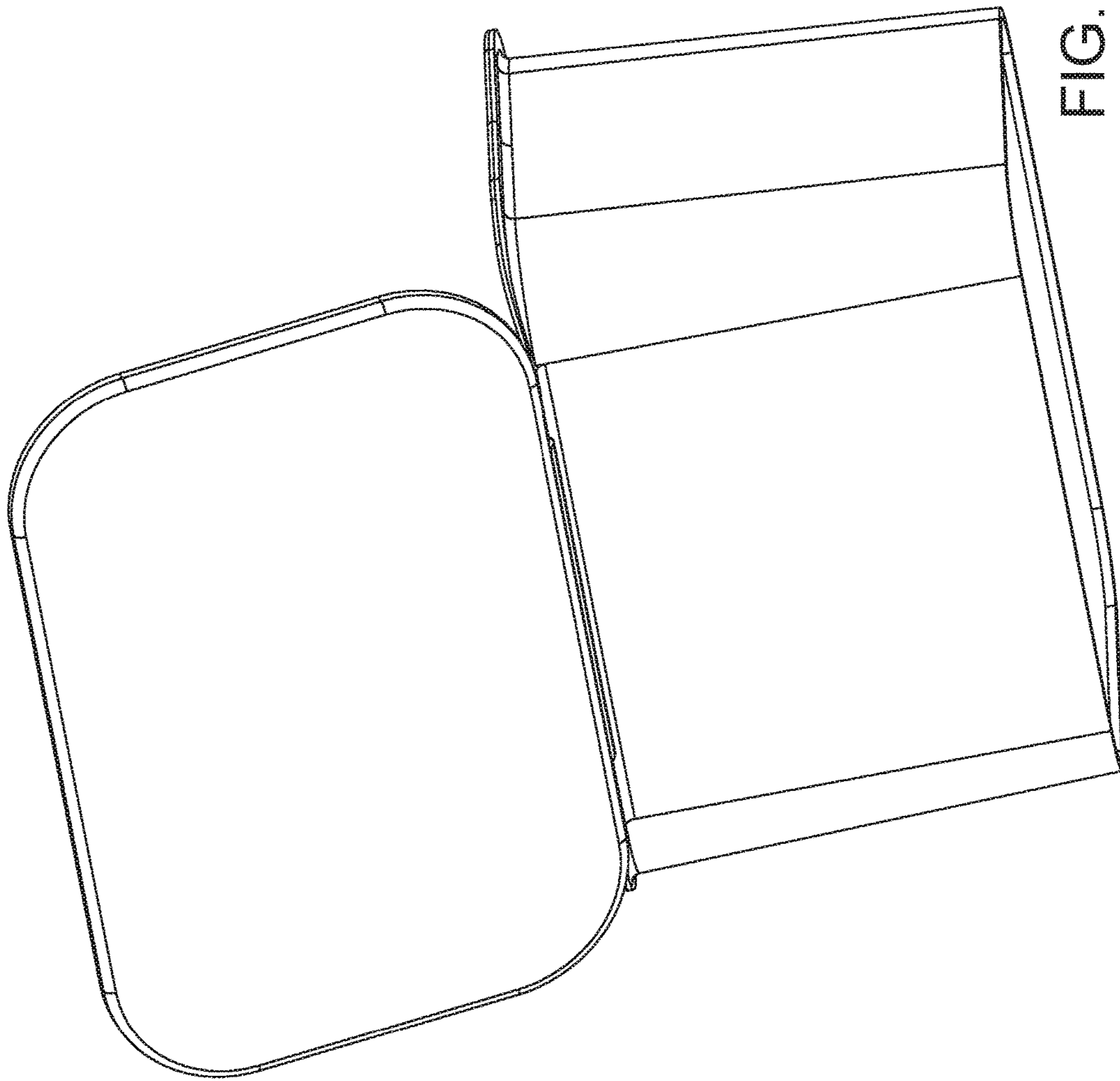


FIG. 2

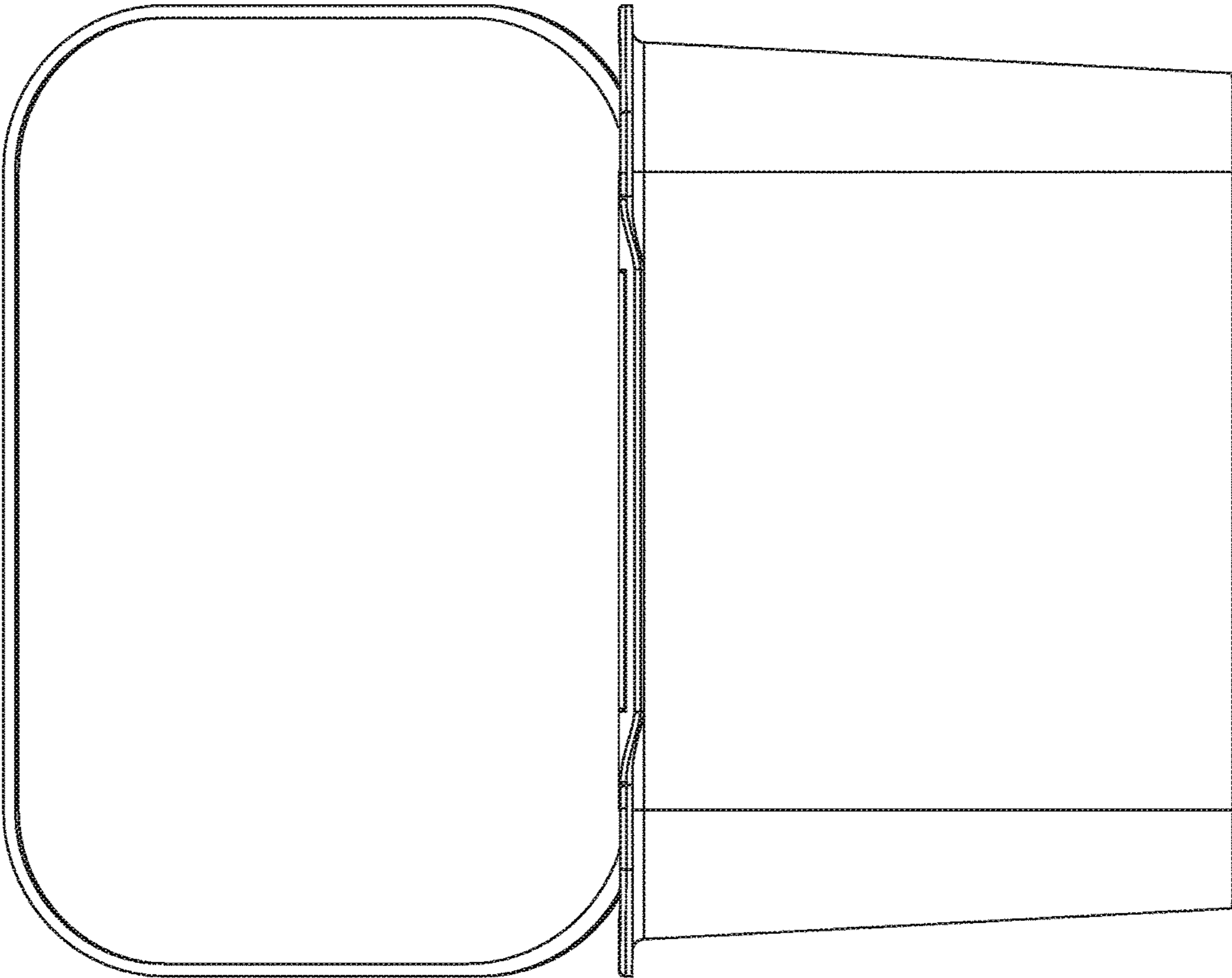


FIG. 3

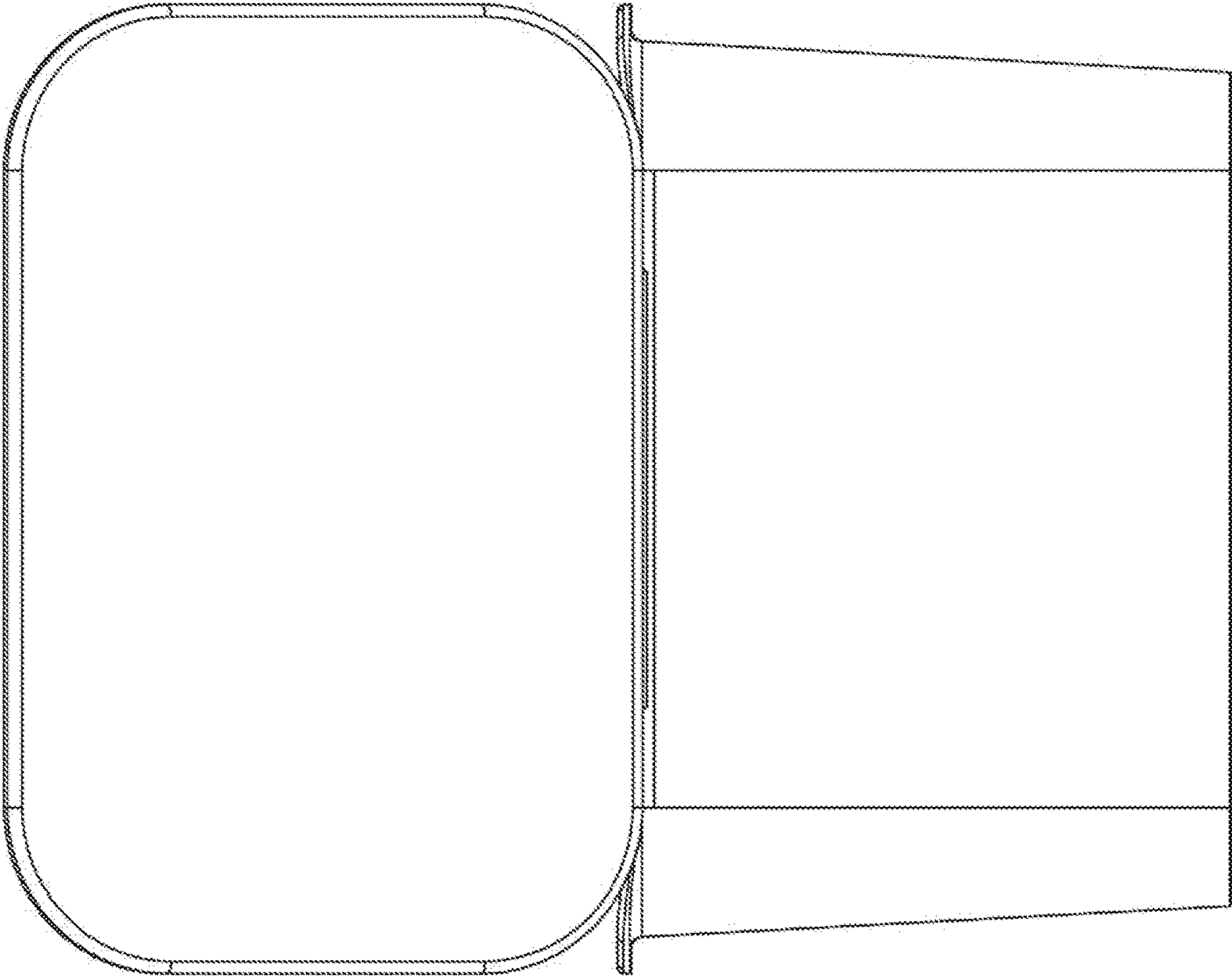


FIG. 4

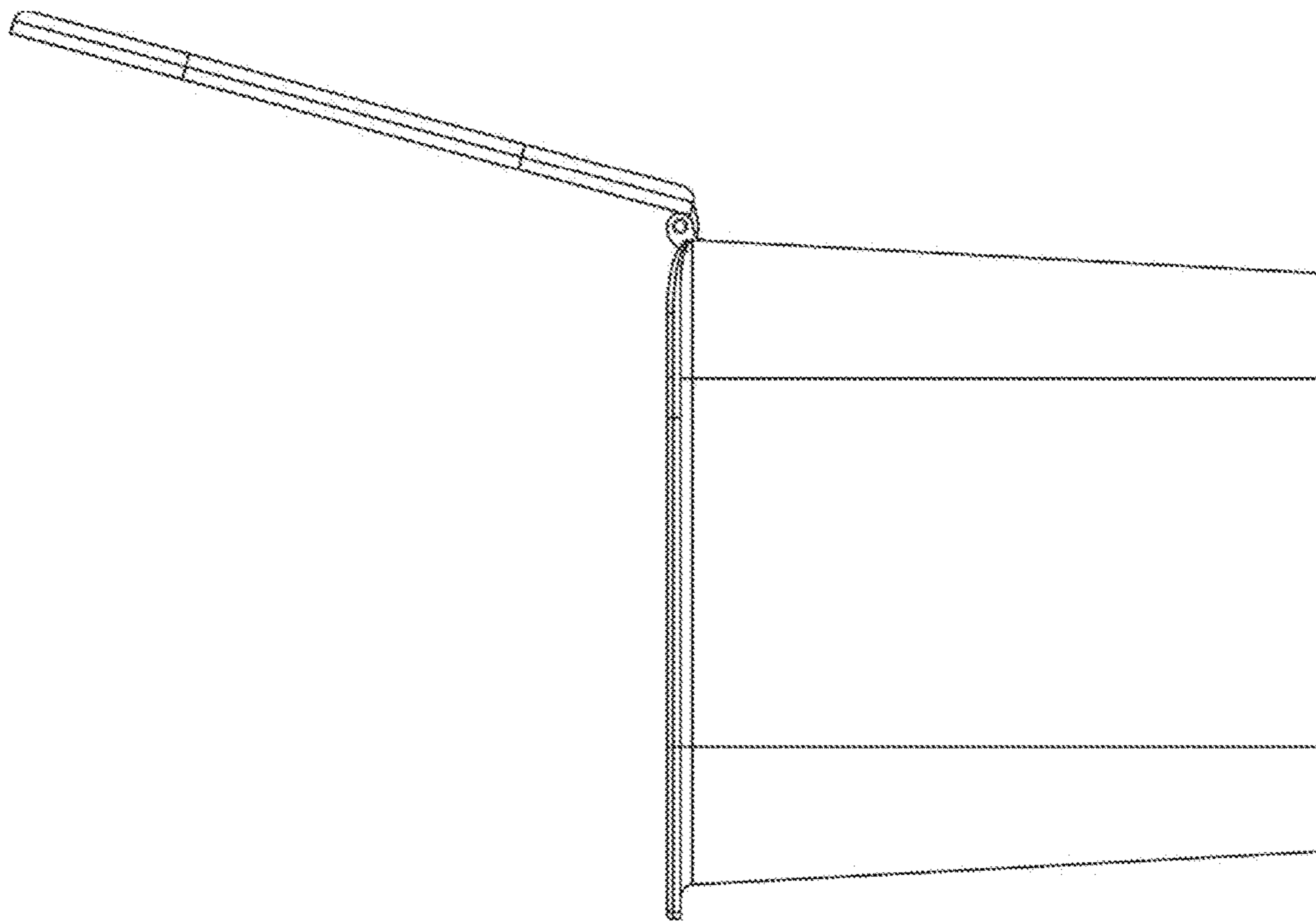


FIG. 5

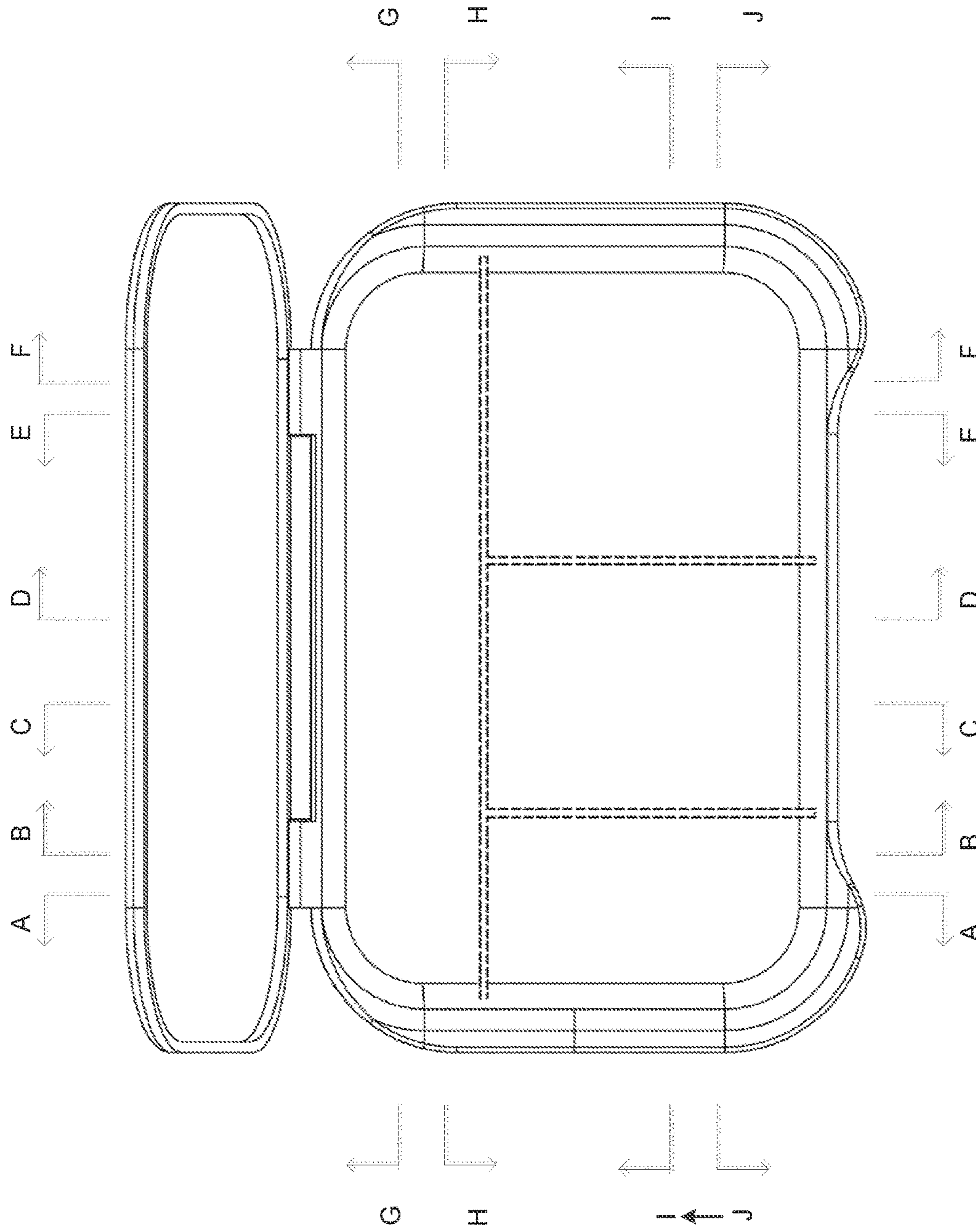


FIG. 6

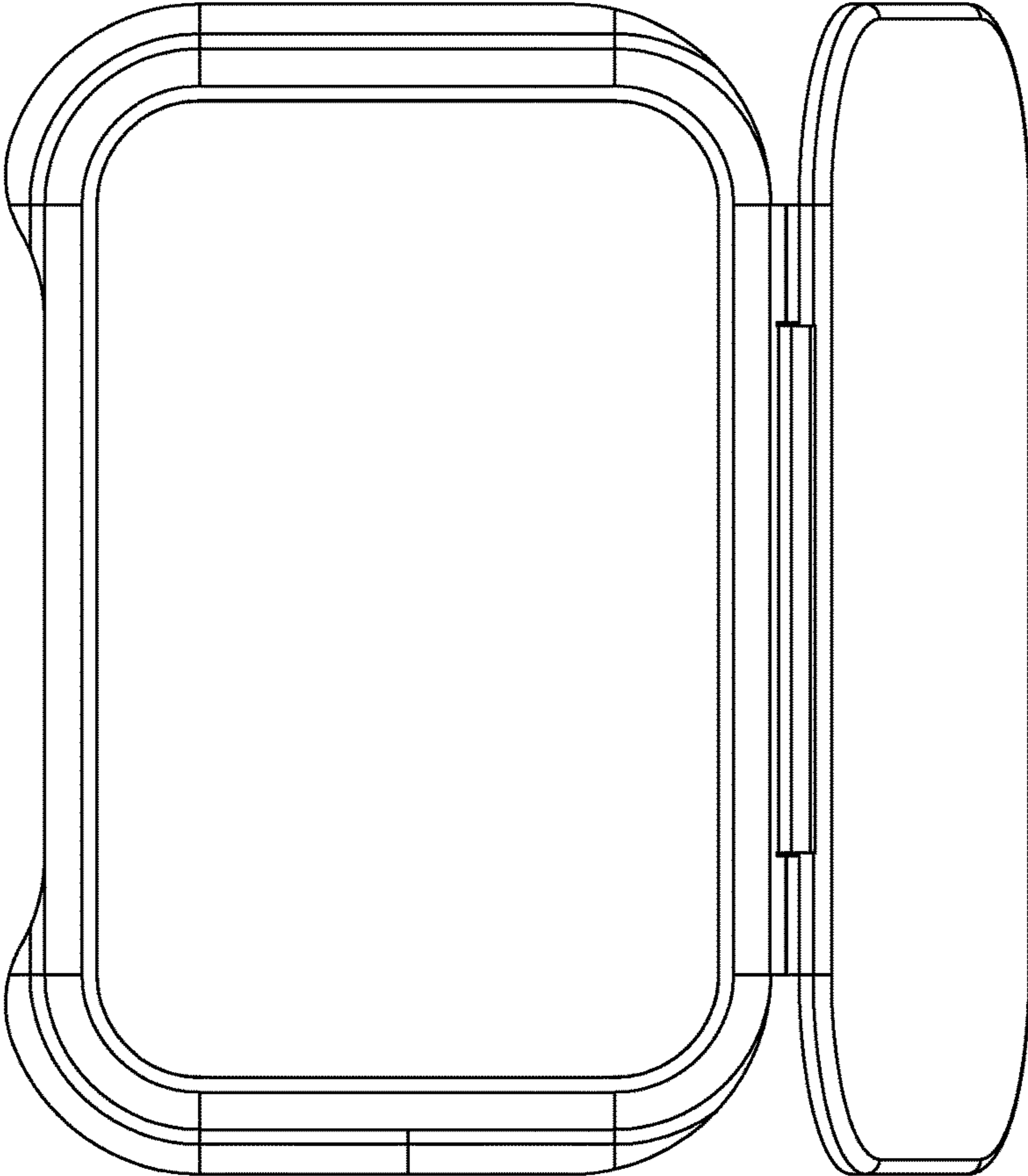


FIG. 7

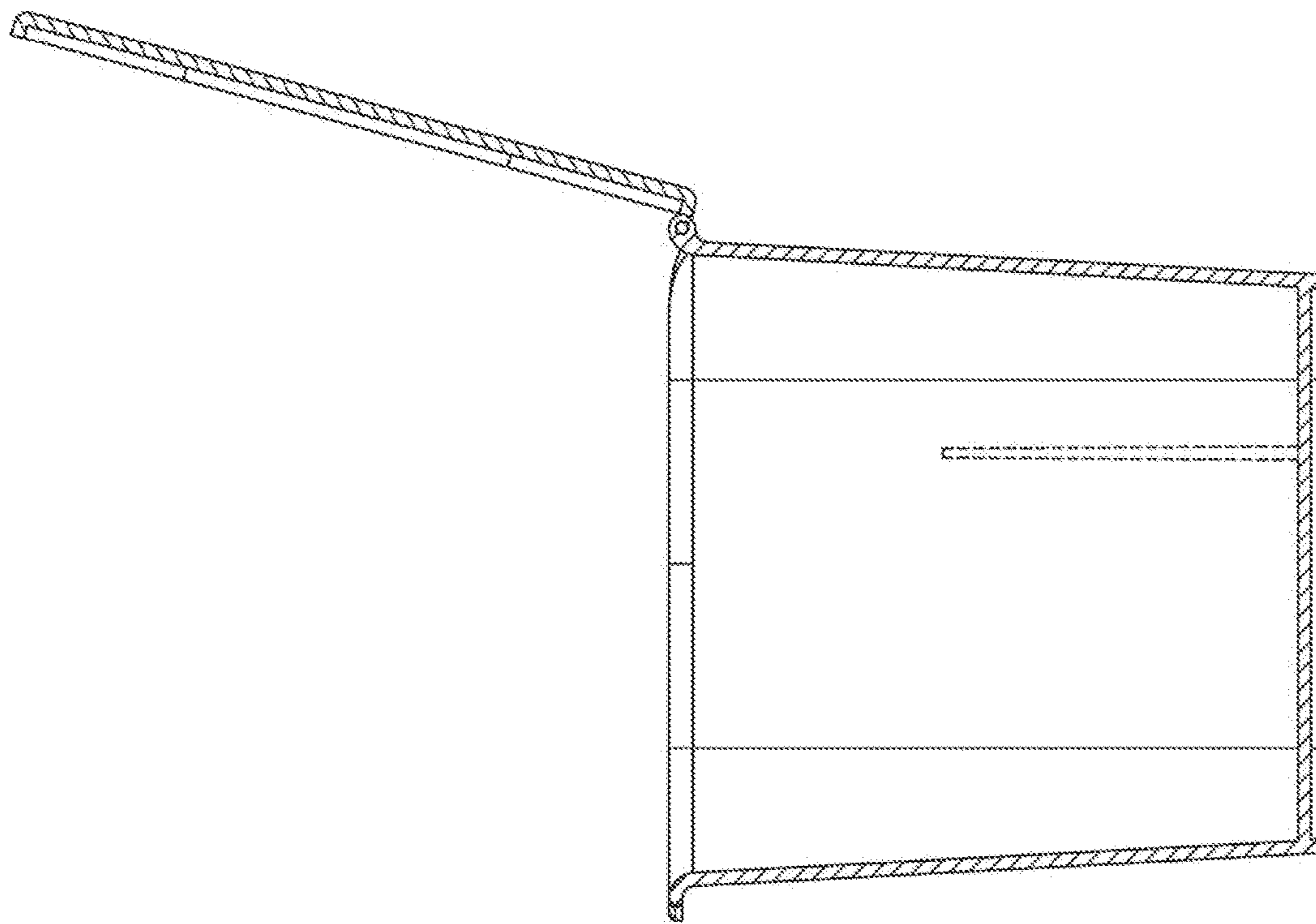


FIG. 8

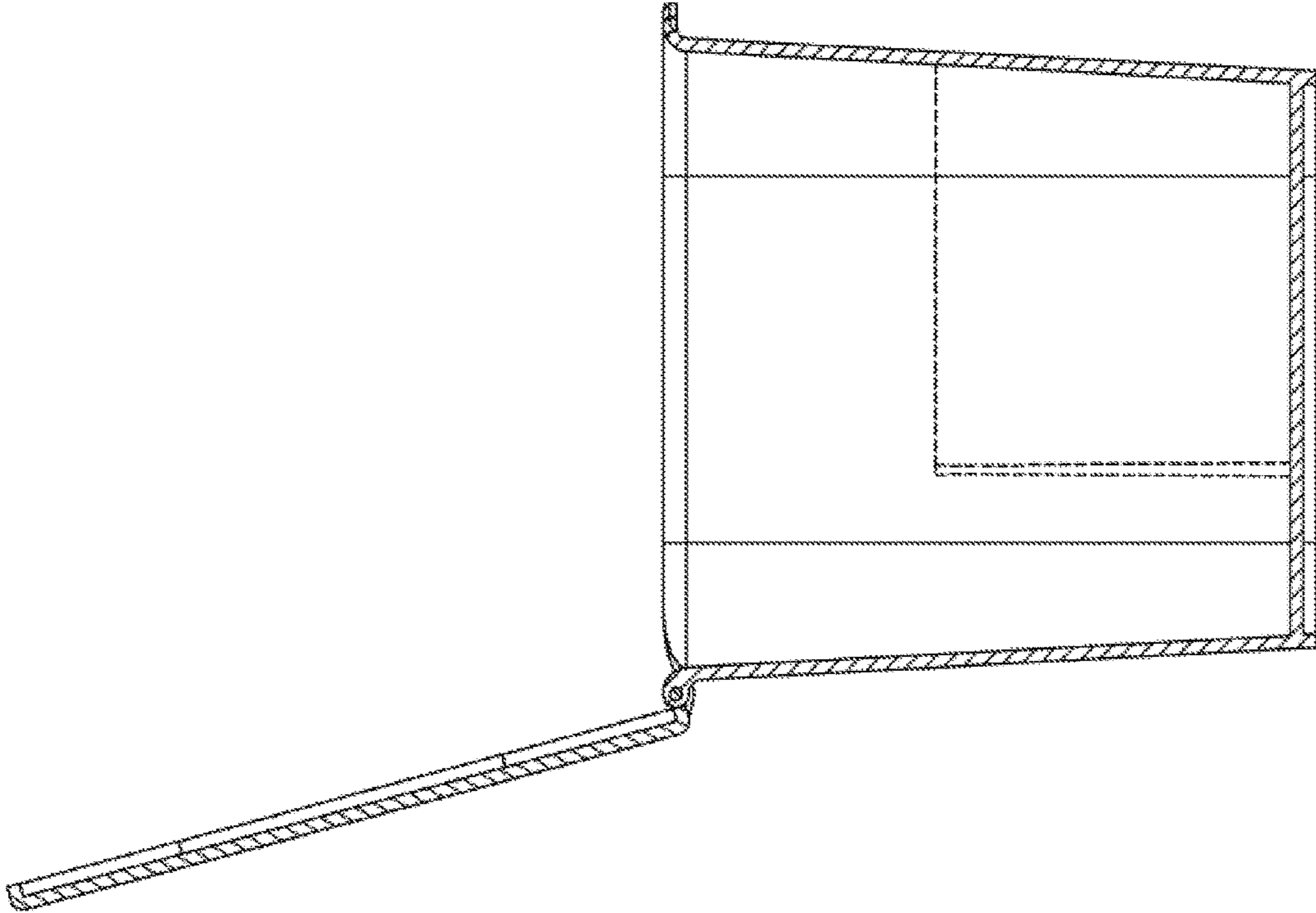


FIG. 9

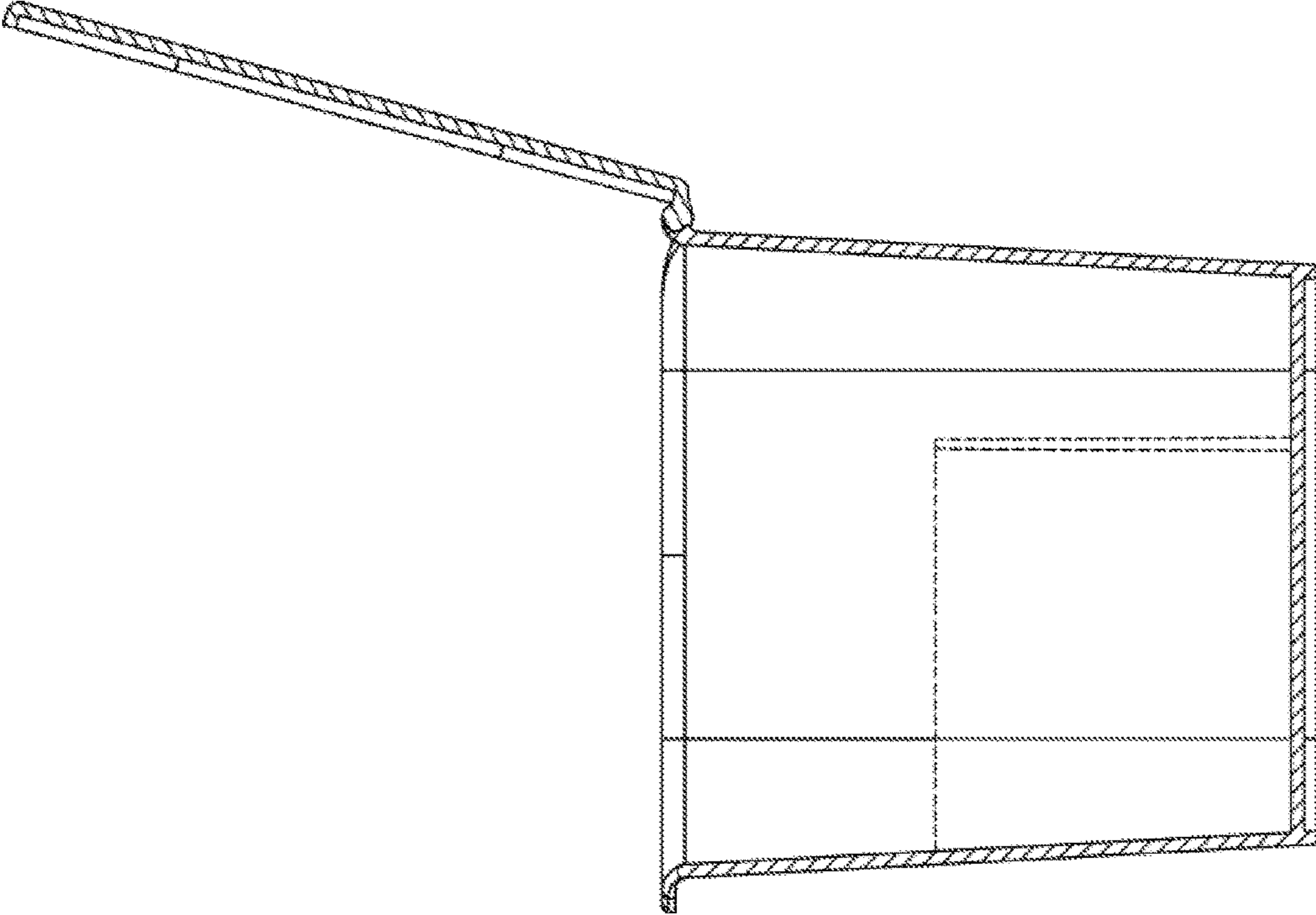


FIG. 10

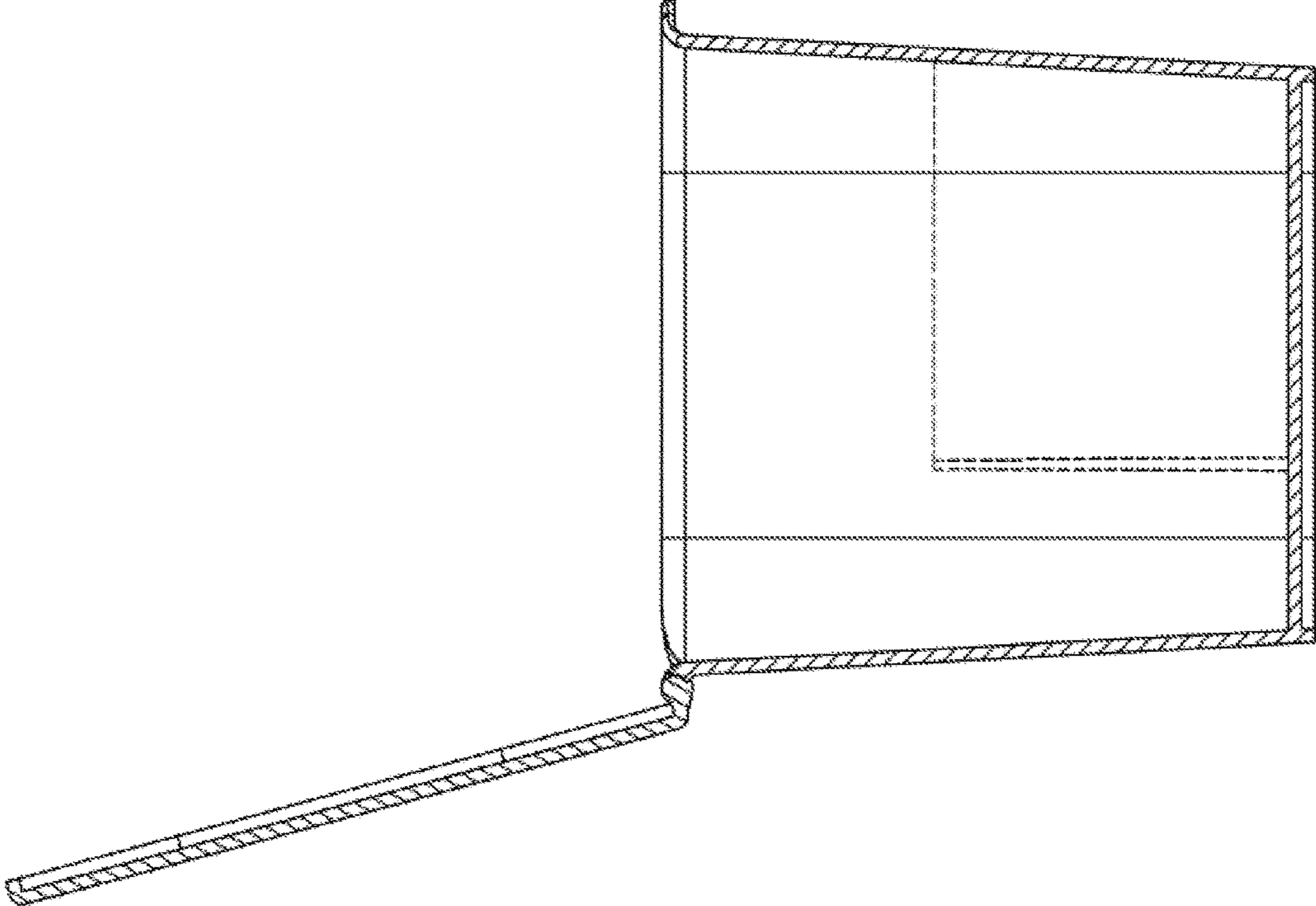


FIG. 11

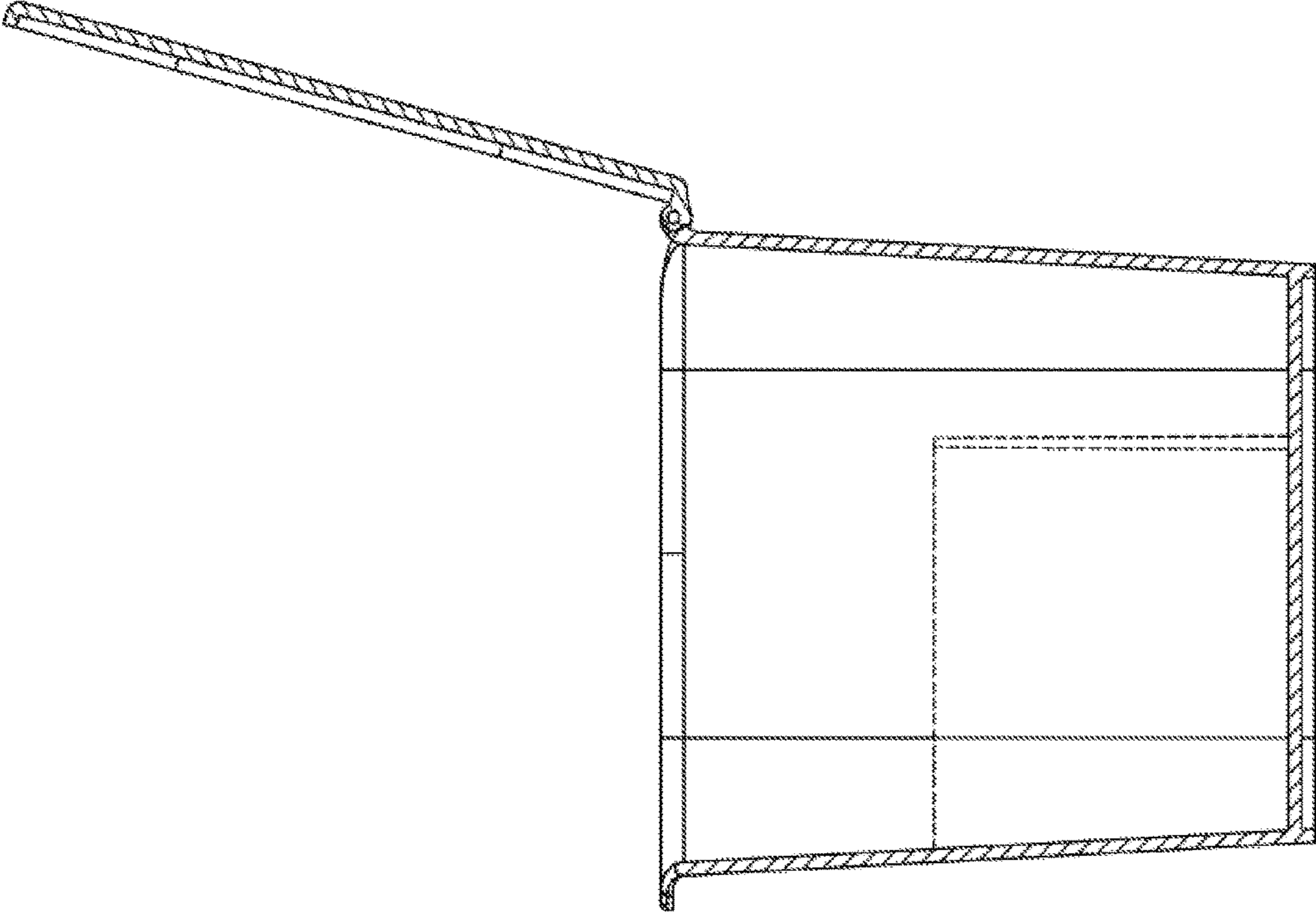


FIG. 12

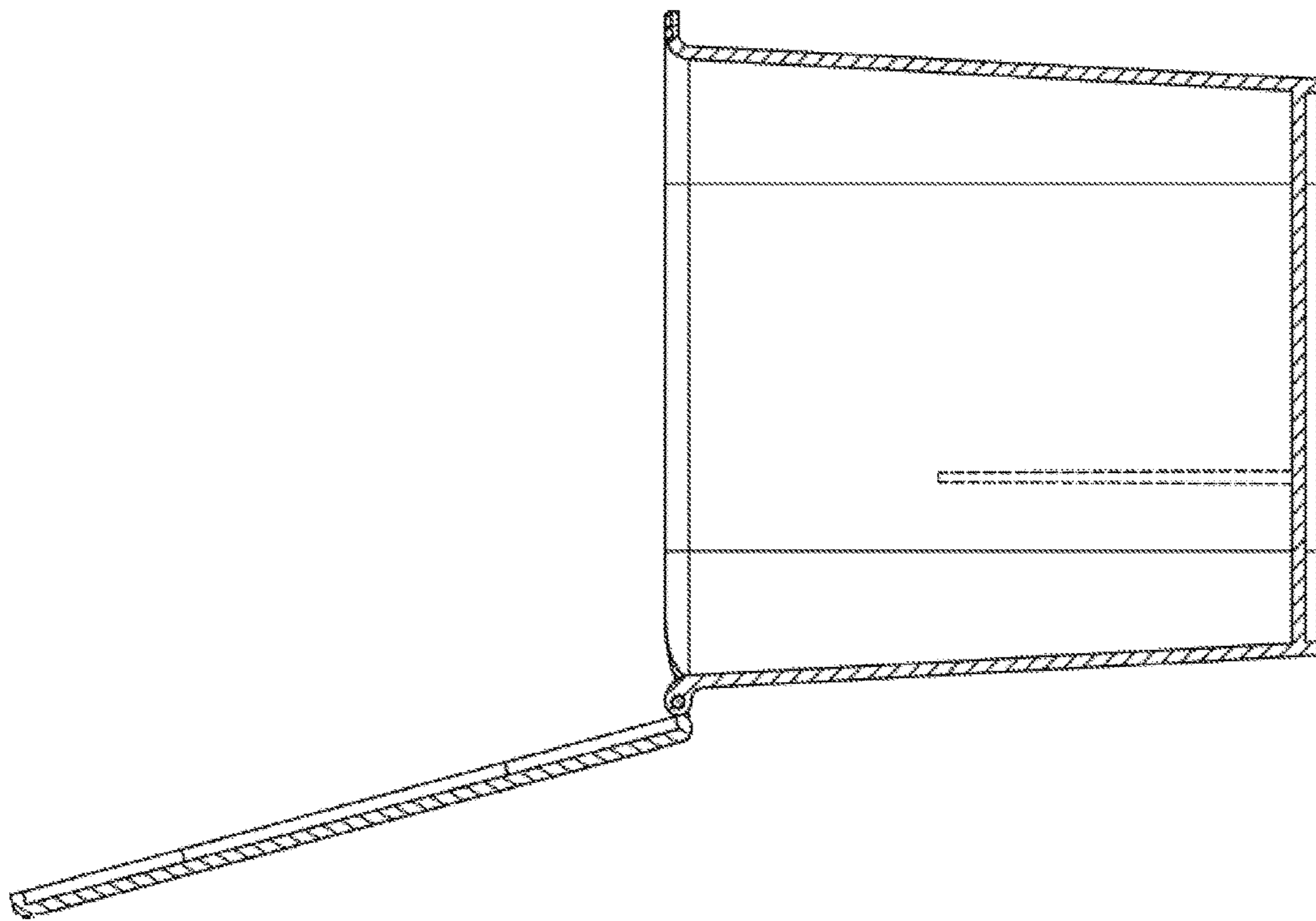


FIG. 13

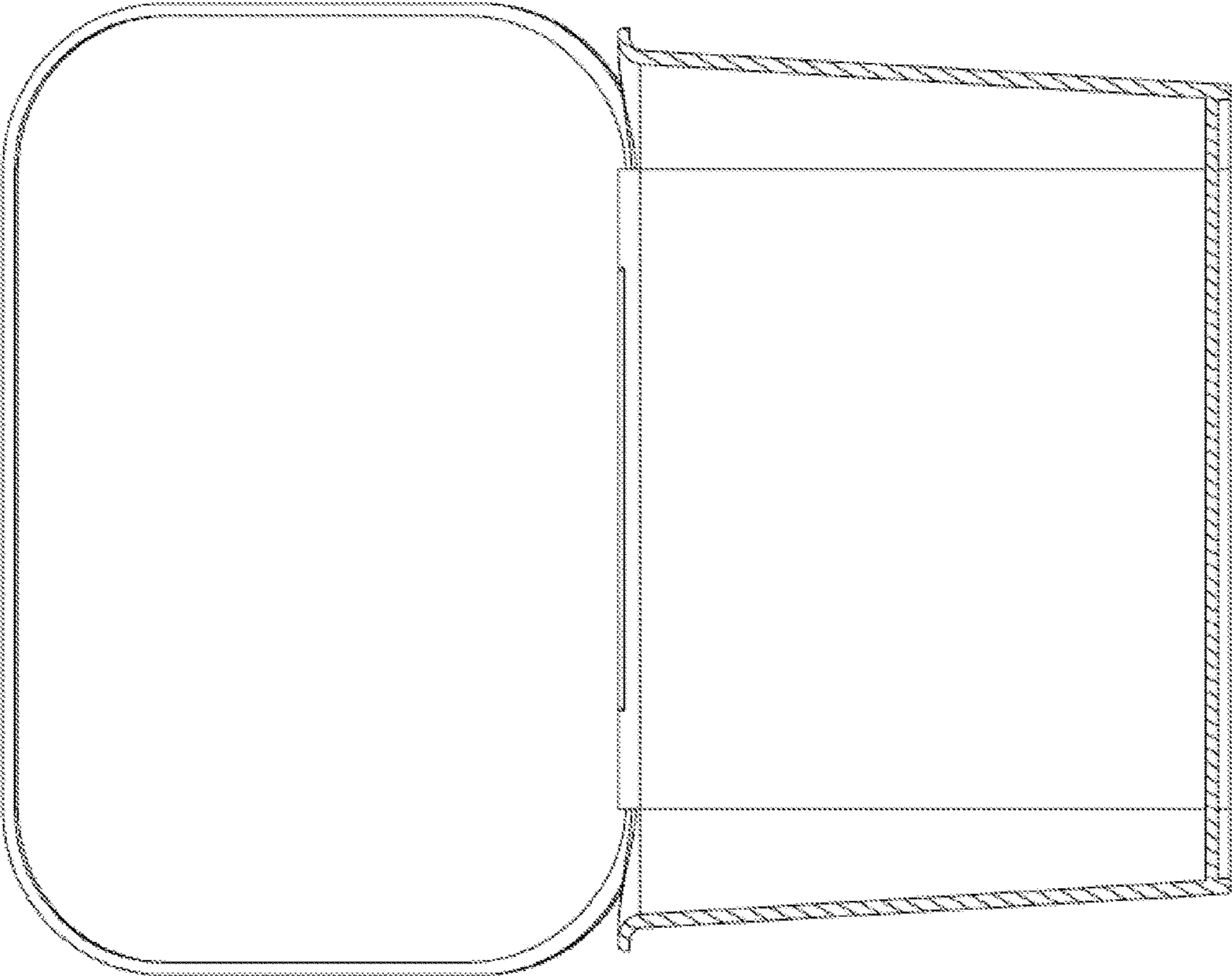


FIG. 14

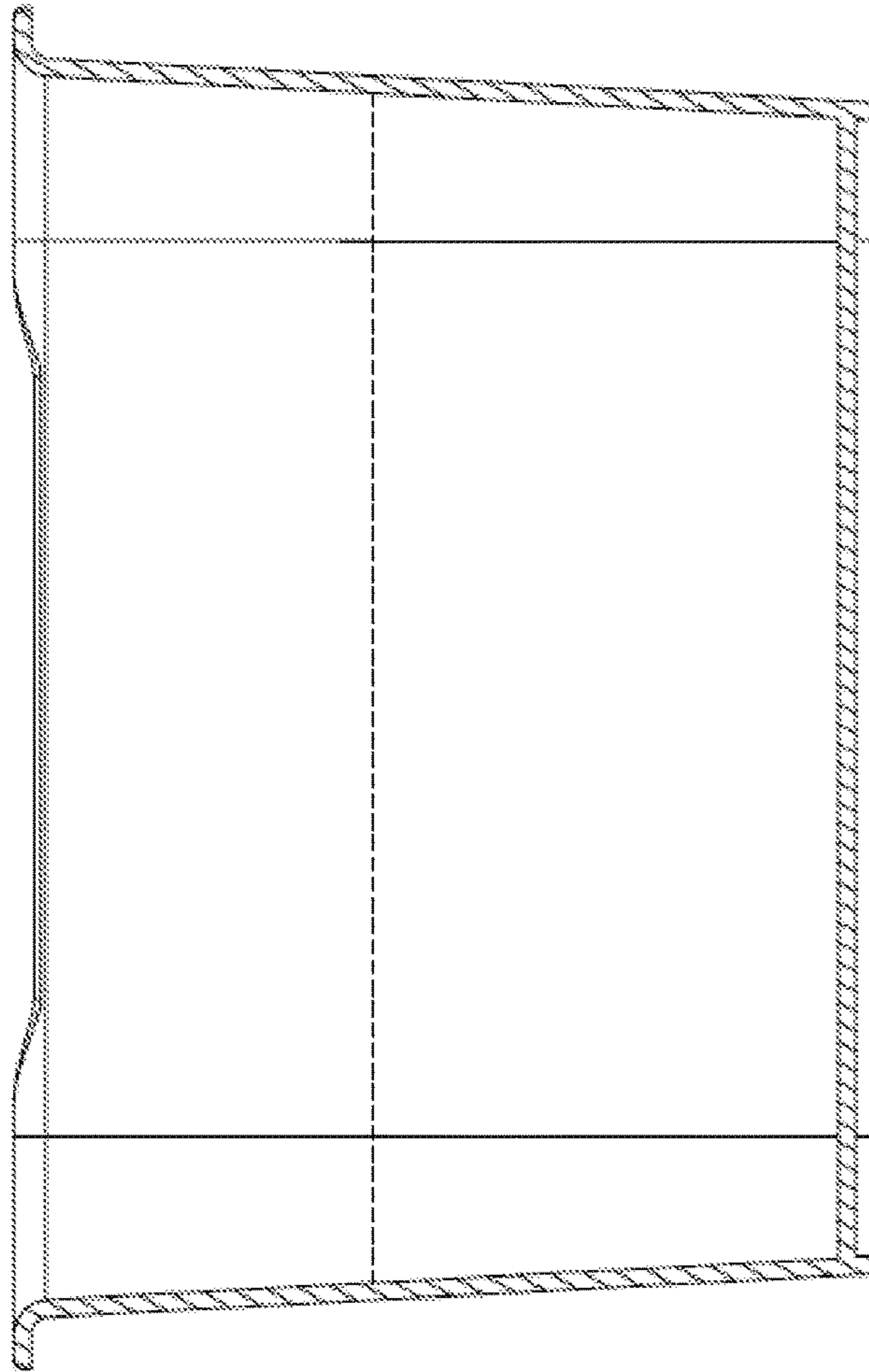


FIG. 15

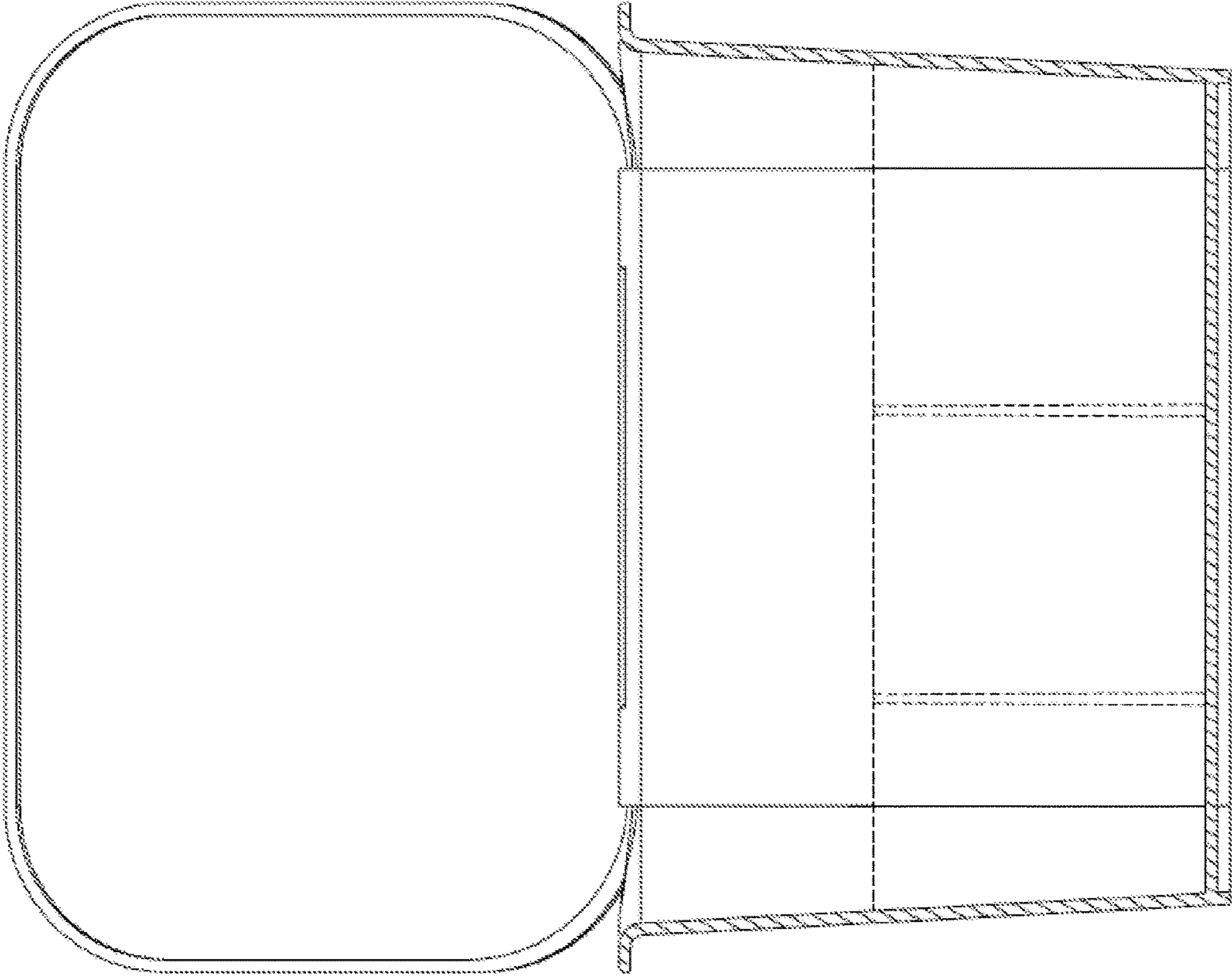


FIG. 16

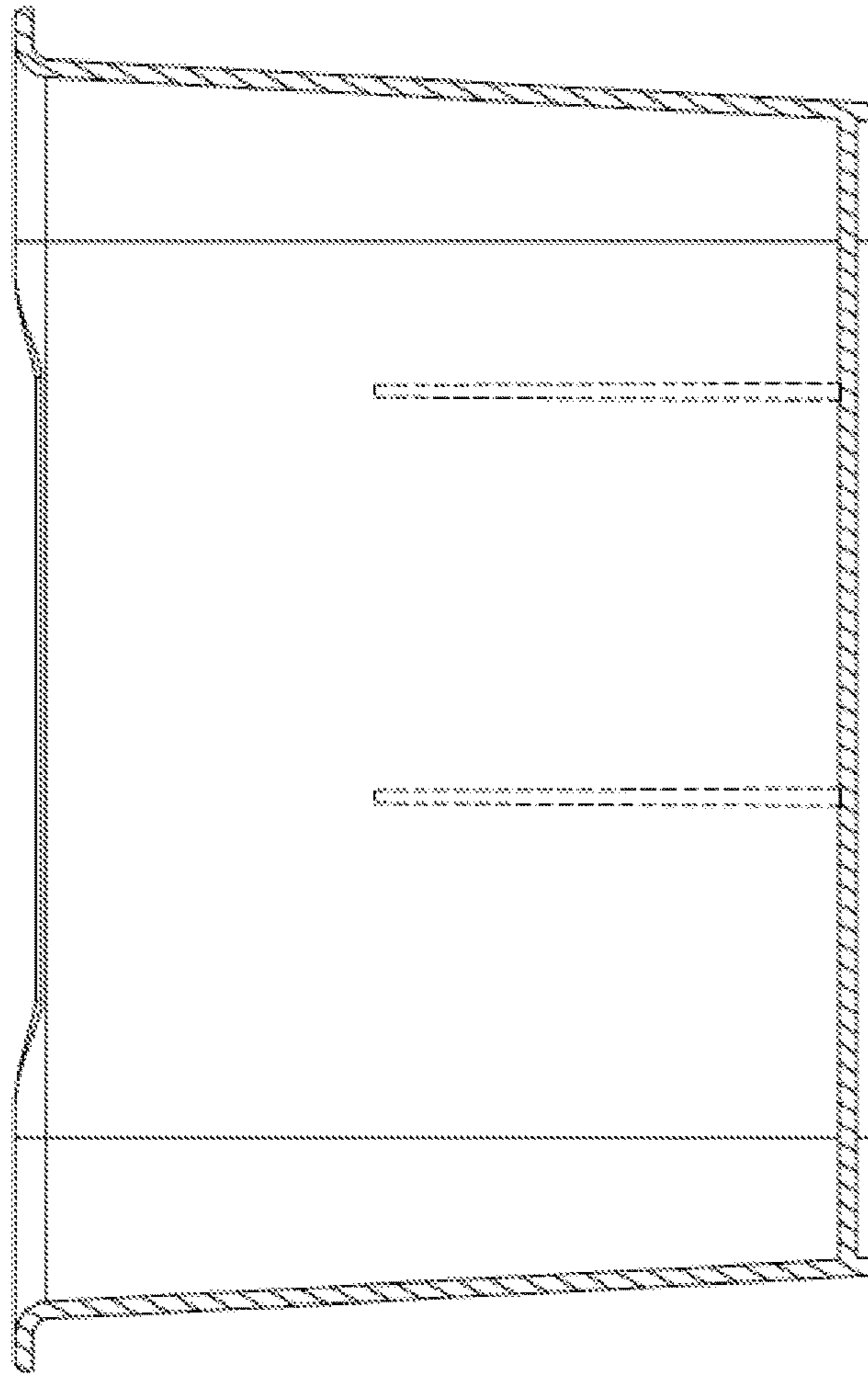


FIG. 17