



US00D818710S

(12) **United States Design Patent**
Morszeck

(10) **Patent No.:** **US D818,710 S**

(45) **Date of Patent:** **** May 29, 2018**

- (54) **SUITCASE**
- (71) Applicant: **RIMOWA GmbH**, Cologne (DE)
- (72) Inventor: **Dieter Morszeck**, Cologne (DE)
- (73) Assignee: **RIMOWA GmbH**, Cologne (DE)
- (**) Term: **15 Years**
- (21) Appl. No.: **29/566,991**
- (22) Filed: **Jun. 3, 2016**

D768,985 S *	10/2016	Morszeck	D3/279
D784,016 S *	4/2017	Morszeck	D3/279
D785,937 S *	5/2017	Morszeck	D3/279
D788,461 S *	6/2017	Tonelli	D3/279
D791,477 S *	7/2017	Liu	D3/279
D792,095 S *	7/2017	Morszeck	D3/279
2011/0284334 A1 *	11/2011	Cheng	A45C 13/002 190/18 A
2014/0374205 A1 *	12/2014	De Jesus	A45C 5/14 190/18 A
2016/0051022 A1 *	2/2016	Morszeck	A45C 5/02 190/18 A
2016/0286912 A1 *	10/2016	Morszeck	A45C 5/03
2017/0042302 A1 *	2/2017	Farrelly	A45C 13/30
2017/0079398 A1 *	3/2017	Reh	A45C 13/42

Related U.S. Application Data

- (62) Division of application No. 29/520,698, filed on Mar. 17, 2015, now Pat. No. Des. 784,016.

Foreign Application Priority Data

- Sep. 17, 2014 (EP) 002539684
- Dec. 19, 2014 (EP) 002601609

- (51) **LOC (11) Cl.** **03-01**
- (52) **U.S. Cl.**
USPC **D3/279**

- (58) **Field of Classification Search**
USPC D3/272, 273, 276, 279, 281, 282, 285,
D3/287, 289, 321, 902, 900
CPC A45C 3/00; A45C 3/004; A45C 2003/008;
A45C 5/00; A45C 5/03; A45C 2005/032;
A45C 2005/037; A45C 5/04; A45C 13/03
See application file for complete search history.

(56) **References Cited**

U.S. PATENT DOCUMENTS

- D644,435 S * 9/2011 Weng D3/279
- D740,558 S * 10/2015 Liao D3/279

* cited by examiner

Primary Examiner — Jennifer Rivard

Assistant Examiner — April Rivas

(74) *Attorney, Agent, or Firm* — Maier & Maier, PLLC

(57) **CLAIM**

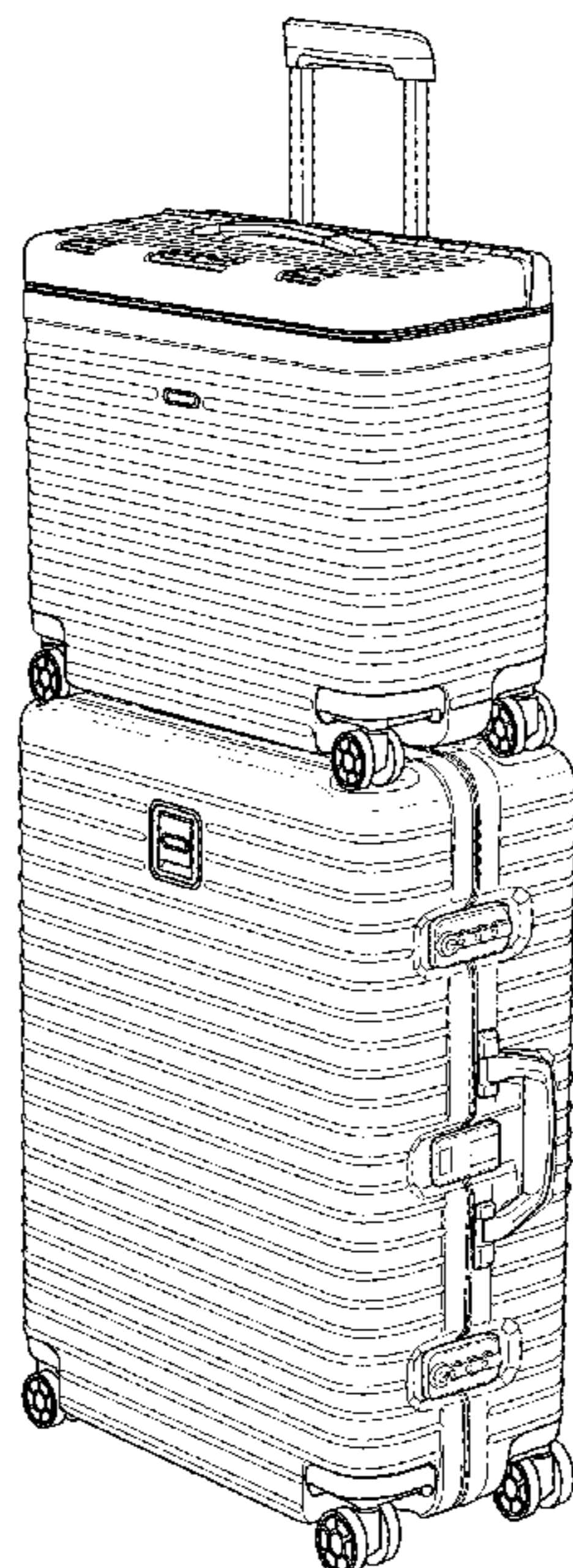
The ornamental design for a suitcase, as shown and described.

DESCRIPTION

FIG. 1 is a front right perspective view of a suitcase;
 FIG. 2 is a front view thereof;
 FIG. 3 is a rear view thereof;
 FIG. 4 is a right side view thereof;
 FIG. 5 is a left side view thereof;
 FIG. 6 is a top view thereof; and,
 FIG. 7 is a bottom view thereof.

The broken lines illustrate portions of the suitcase and form no part of the claimed design.

1 Claim, 6 Drawing Sheets



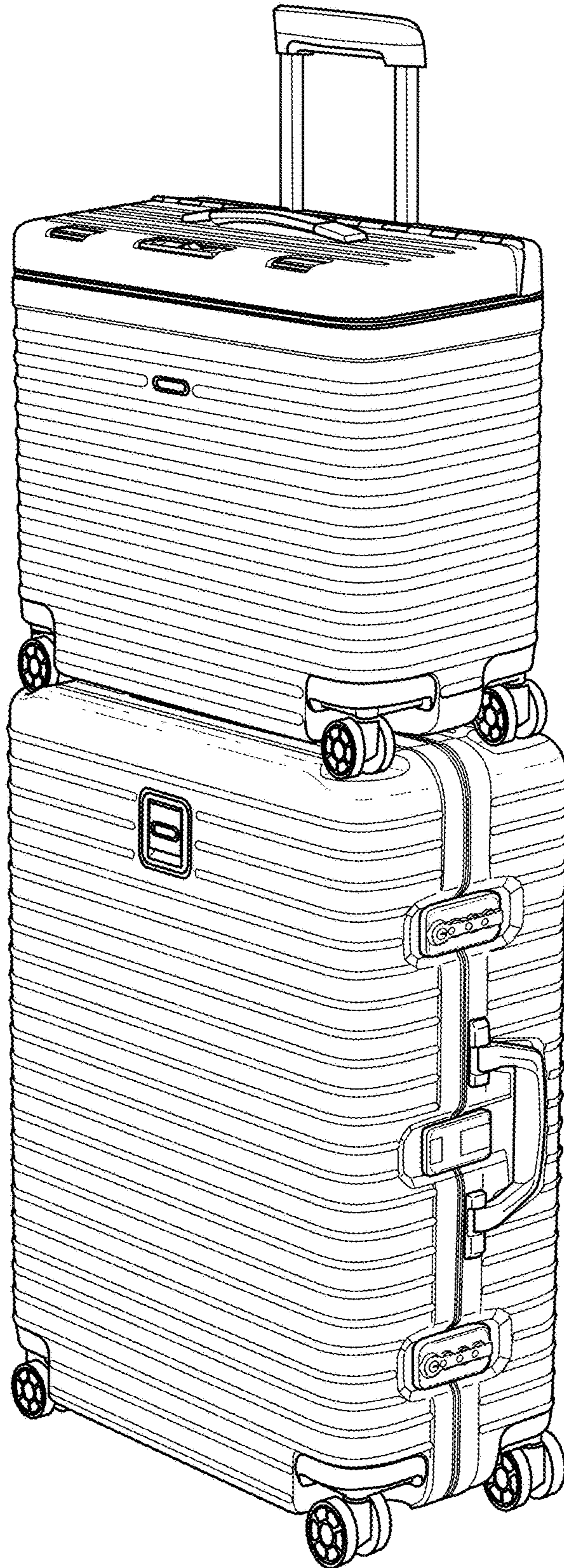


Fig. 1

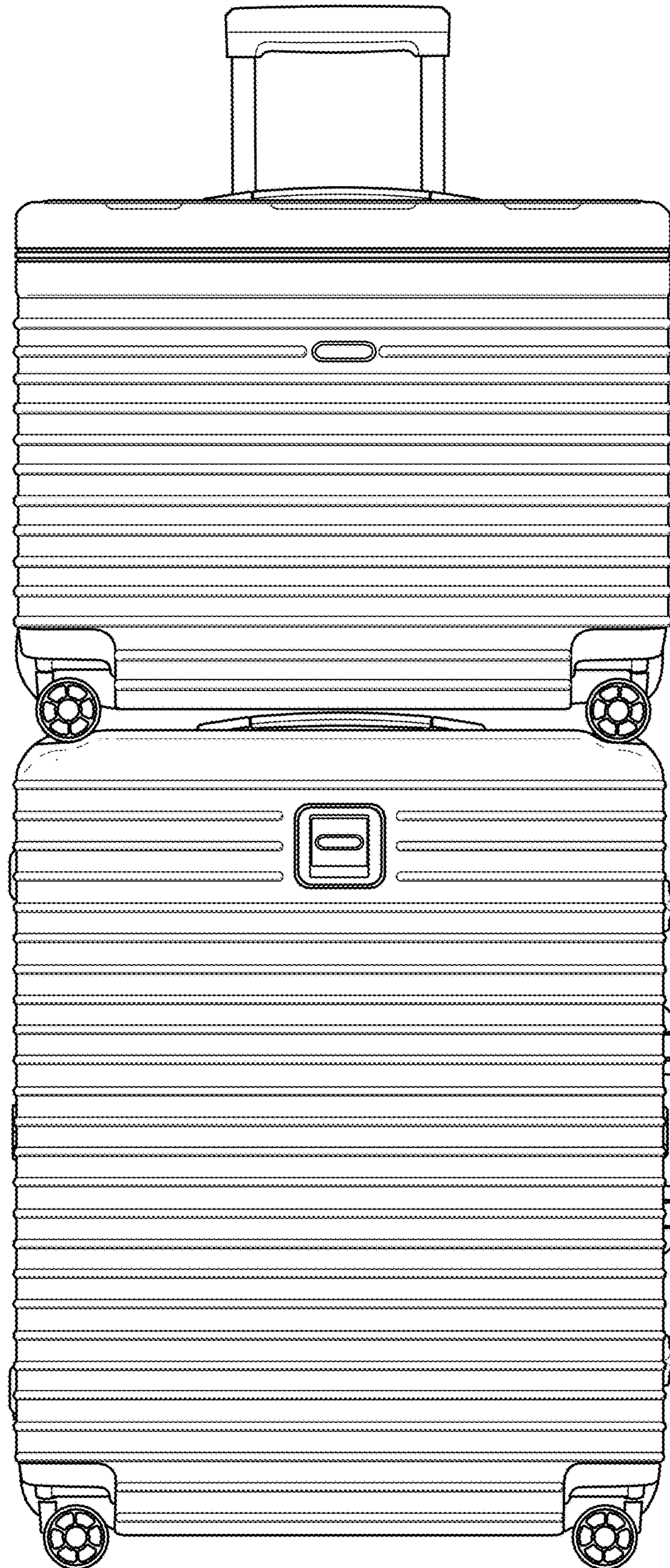


Fig. 2

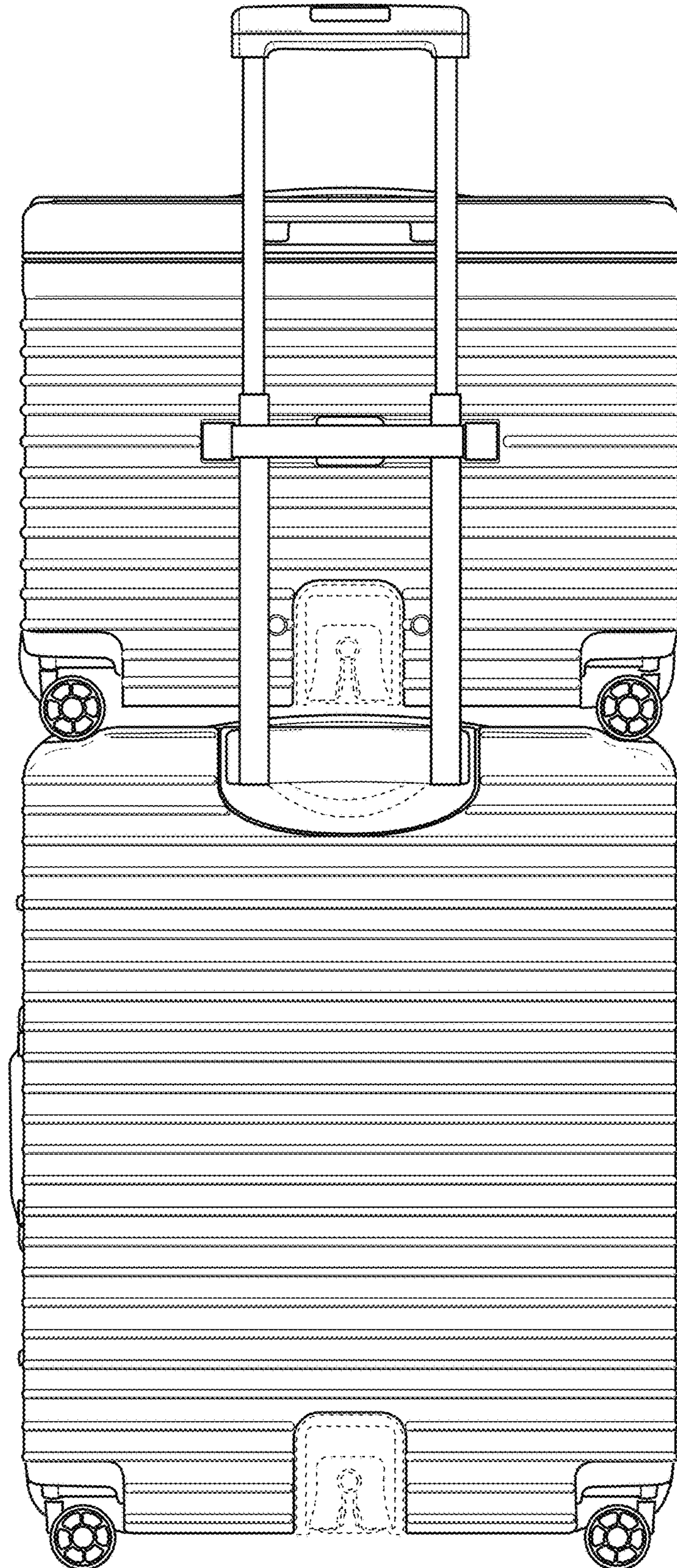


Fig. 3

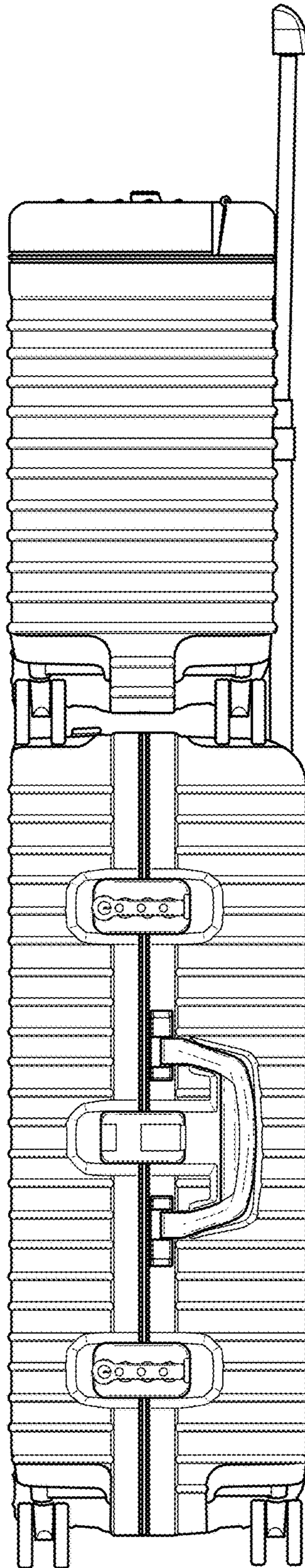


Fig. 4

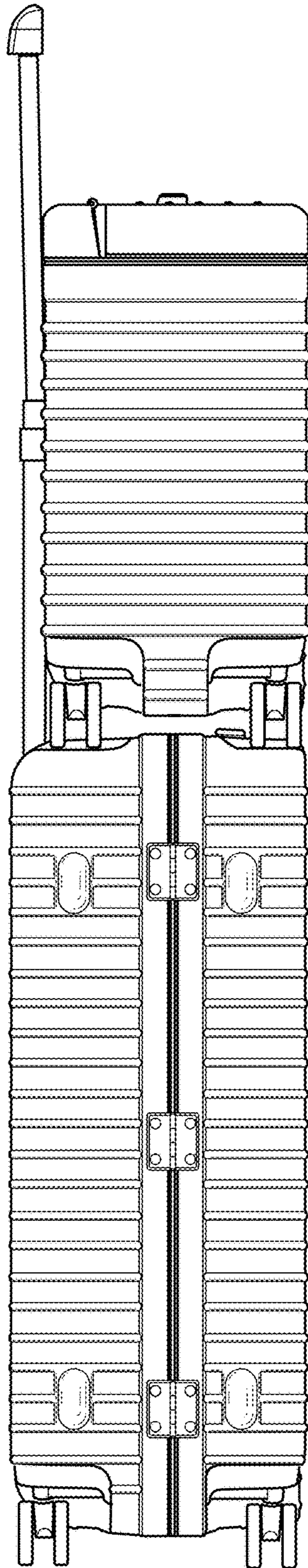


Fig. 5

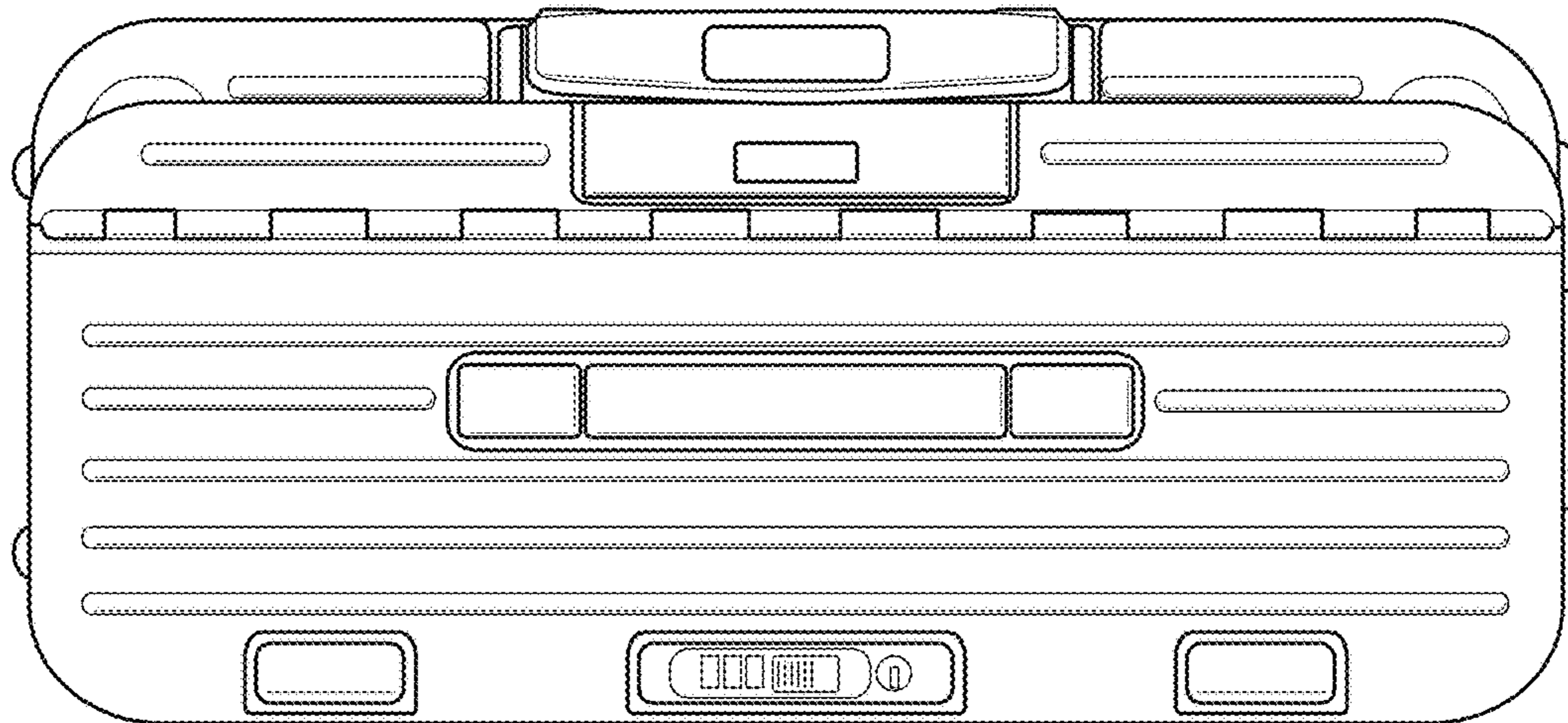


Fig. 6

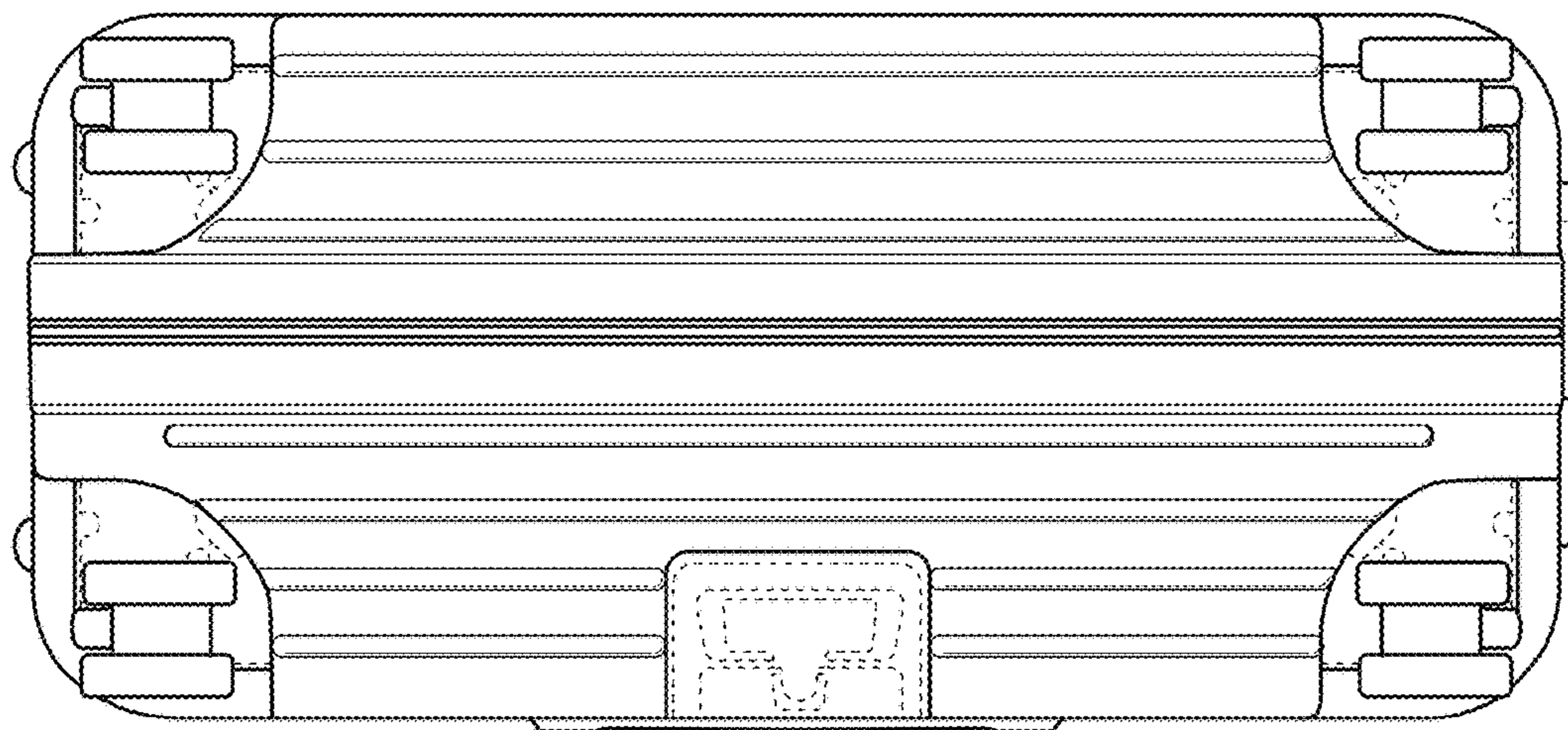


Fig. 7