



US00D818702S

(12) **United States Design Patent**  
**Zhuang**

(10) **Patent No.:** **US D818,702 S**

(45) **Date of Patent:** **\*\* May 29, 2018**

- (54) **ANKLE HOLSTER**
- (71) Applicant: **Shenzhen Yibai Network Technology Co., Ltd.**, Shenzhen (CN)
- (72) Inventor: **Junchao Zhuang**, Shenzhen (CN)
- (\*\*) Term: **15 Years**
- (21) Appl. No.: **29/599,330**
- (22) Filed: **Mar. 31, 2017**
- (51) **LOC (11) Cl.** ..... **03-01**
- (52) **U.S. Cl.**  
USPC ..... **D3/226**
- (58) **Field of Classification Search**  
USPC ..... D3/215, 220, 222, 226, 228, 224;  
224/219, 222, 267, 240, 245, 268, 916,  
224/587, 661, 674, 677, 684  
CPC .... A45F 5/00; A45F 5/02; A45F 5/021; A45F  
5/2005; A45F 5/008  
See application file for complete search history.

- D362,540 S \* 9/1995 McNamara ..... D3/215
- D459,875 S \* 7/2002 Mack ..... D3/226
- 7,527,182 B1 \* 5/2009 Sherwood ..... A45F 5/02  
224/222
- D632,073 S \* 2/2011 Perez ..... D3/226
- D722,765 S \* 2/2015 Abrego ..... D3/226

\* cited by examiner

*Primary Examiner* — Catherine R Oliver-Garcia  
(74) *Attorney, Agent, or Firm* — Wayne & King LLC

(57) **CLAIM**

The ornamental design for an ankle holster, as shown and described.

**DESCRIPTION**

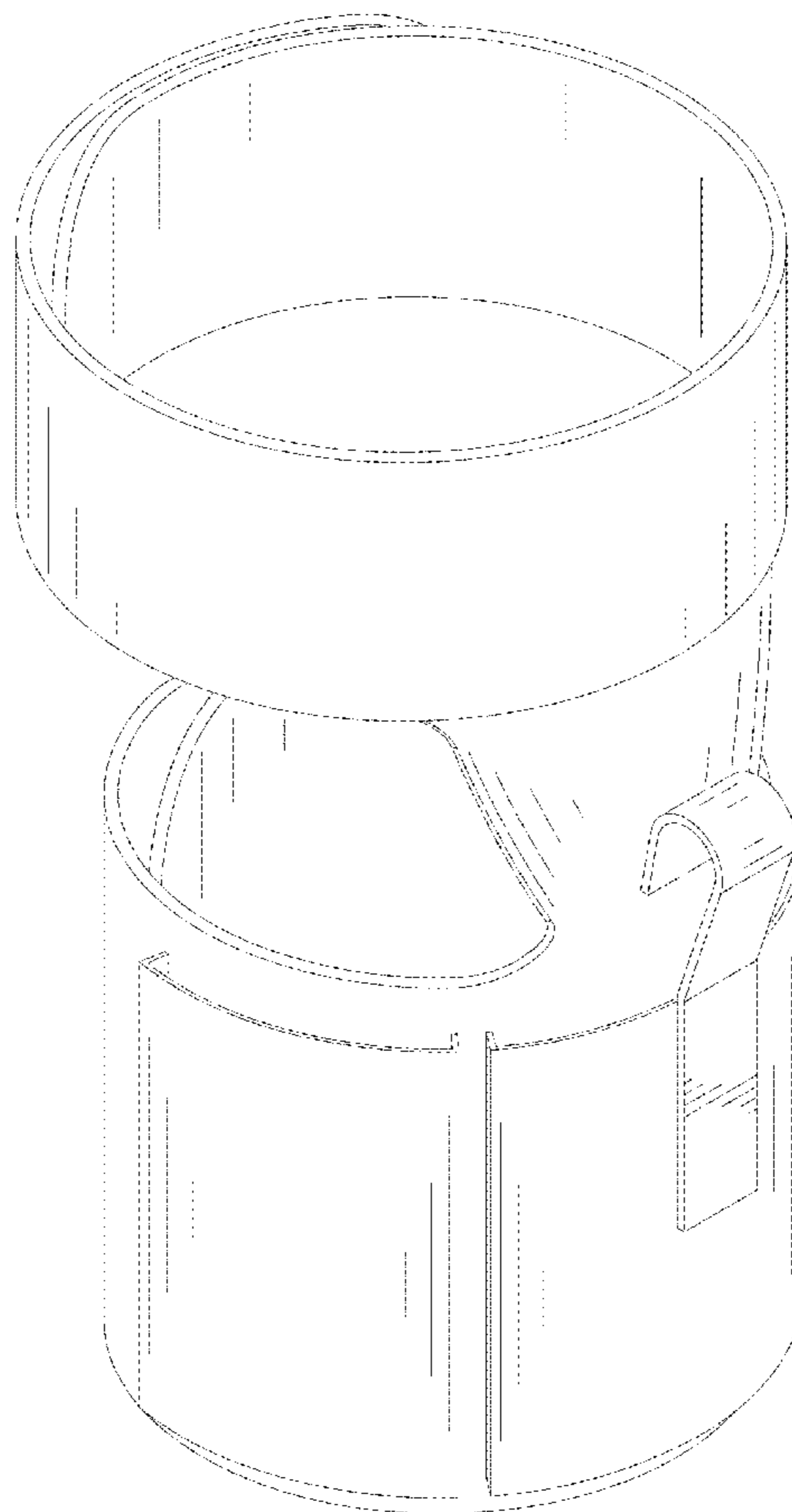
FIG. 1 is a top, left and front perspective view of an ankle holster showing my new design;  
FIG. 2 is a bottom, right and front perspective view thereof;  
FIG. 3 is a bottom, right and rear perspective view thereof;  
FIG. 4 is a front elevational view thereof.  
FIG. 5 is a rear elevational view thereof.  
FIG. 6 is a left side elevational view thereof.  
FIG. 7 is a right side elevational view thereof.  
FIG. 8 is a top plan view thereof; and,  
FIG. 9 is a bottom plan view thereof.

**1 Claim, 9 Drawing Sheets**

(56) **References Cited**

**U.S. PATENT DOCUMENTS**

- D247,299 S \* 2/1978 Bianchi ..... D3/222
- D248,866 S \* 8/1978 Gonzales ..... D3/222



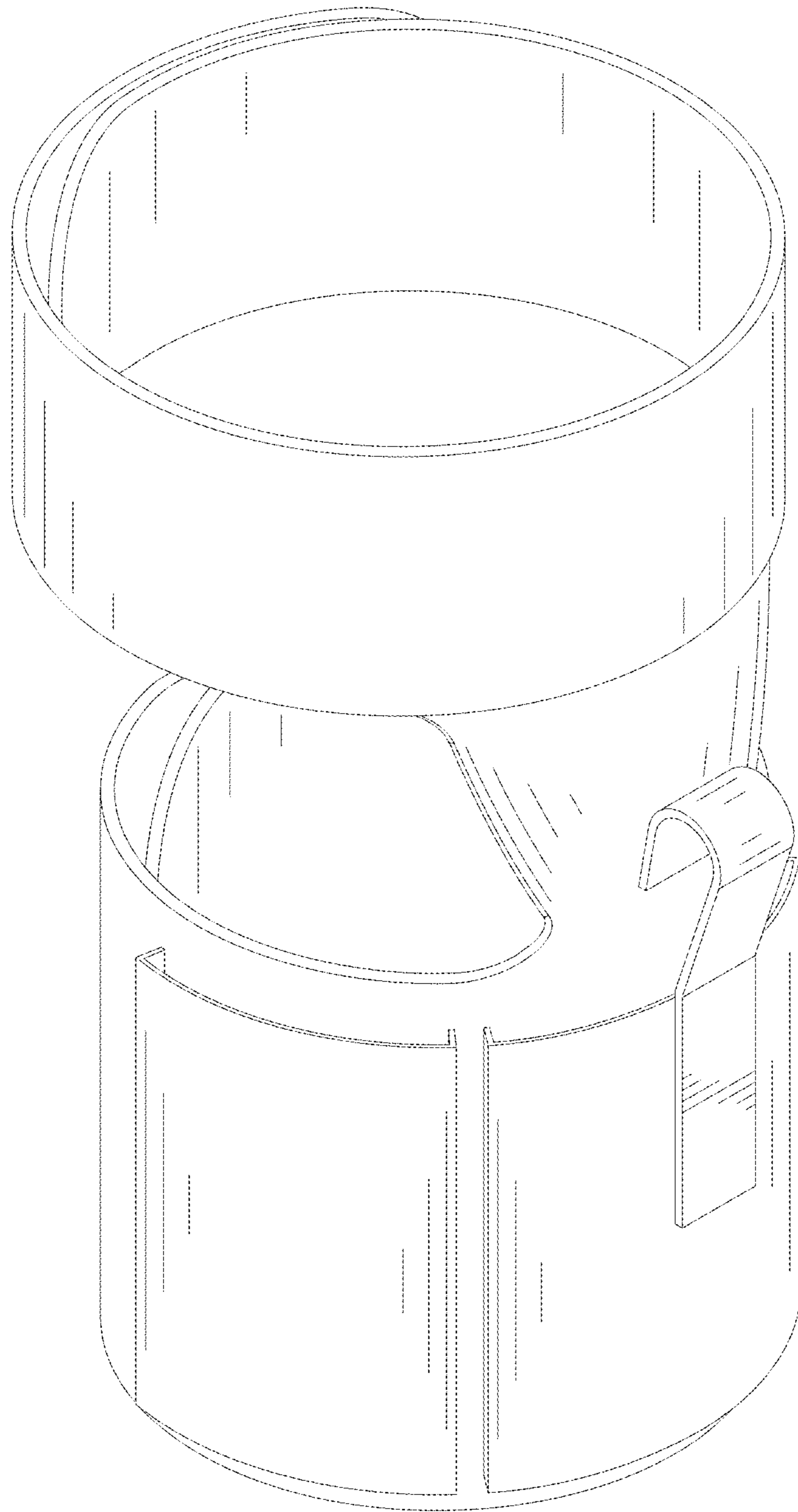


FIG.1

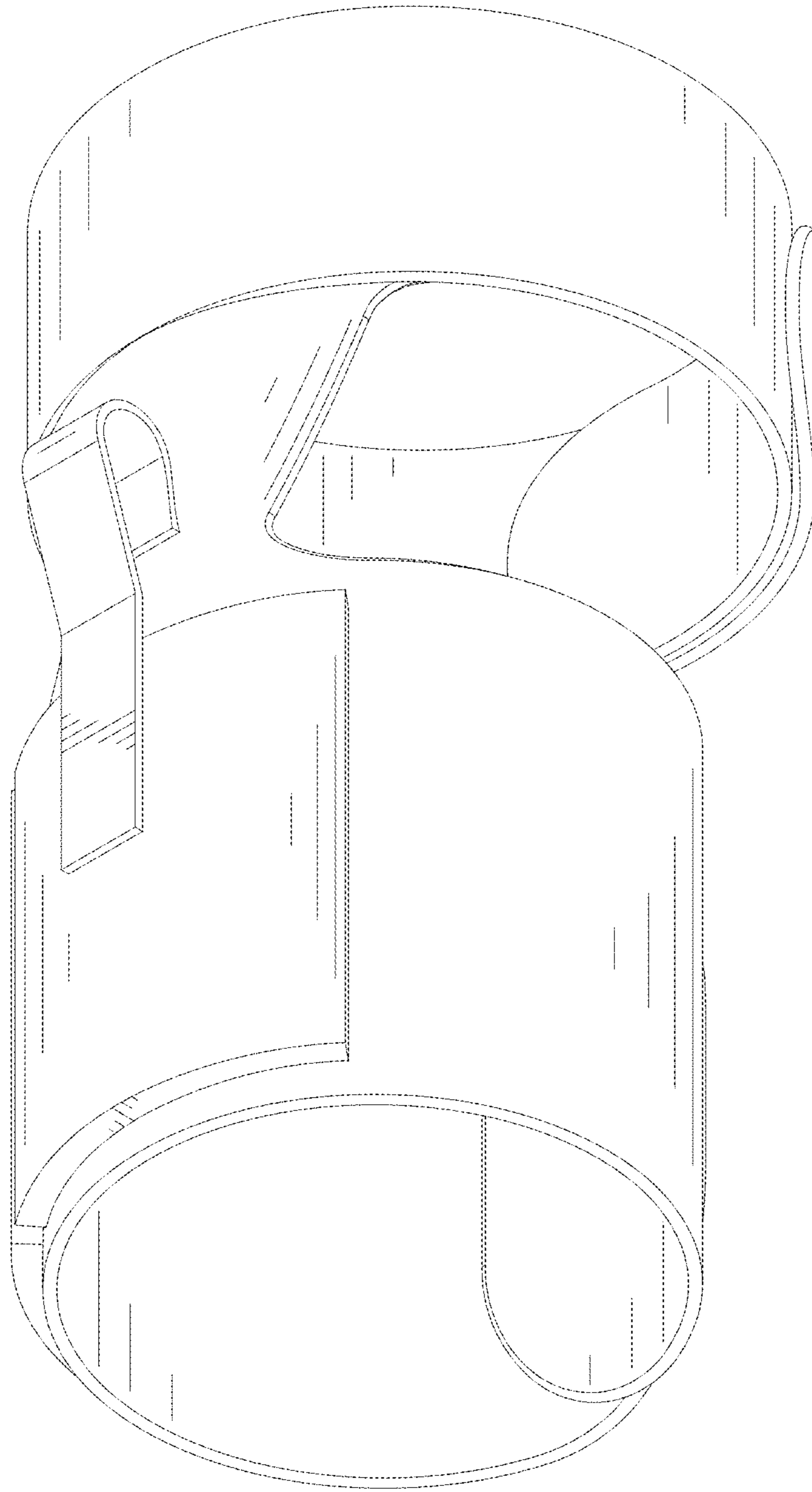


FIG.2

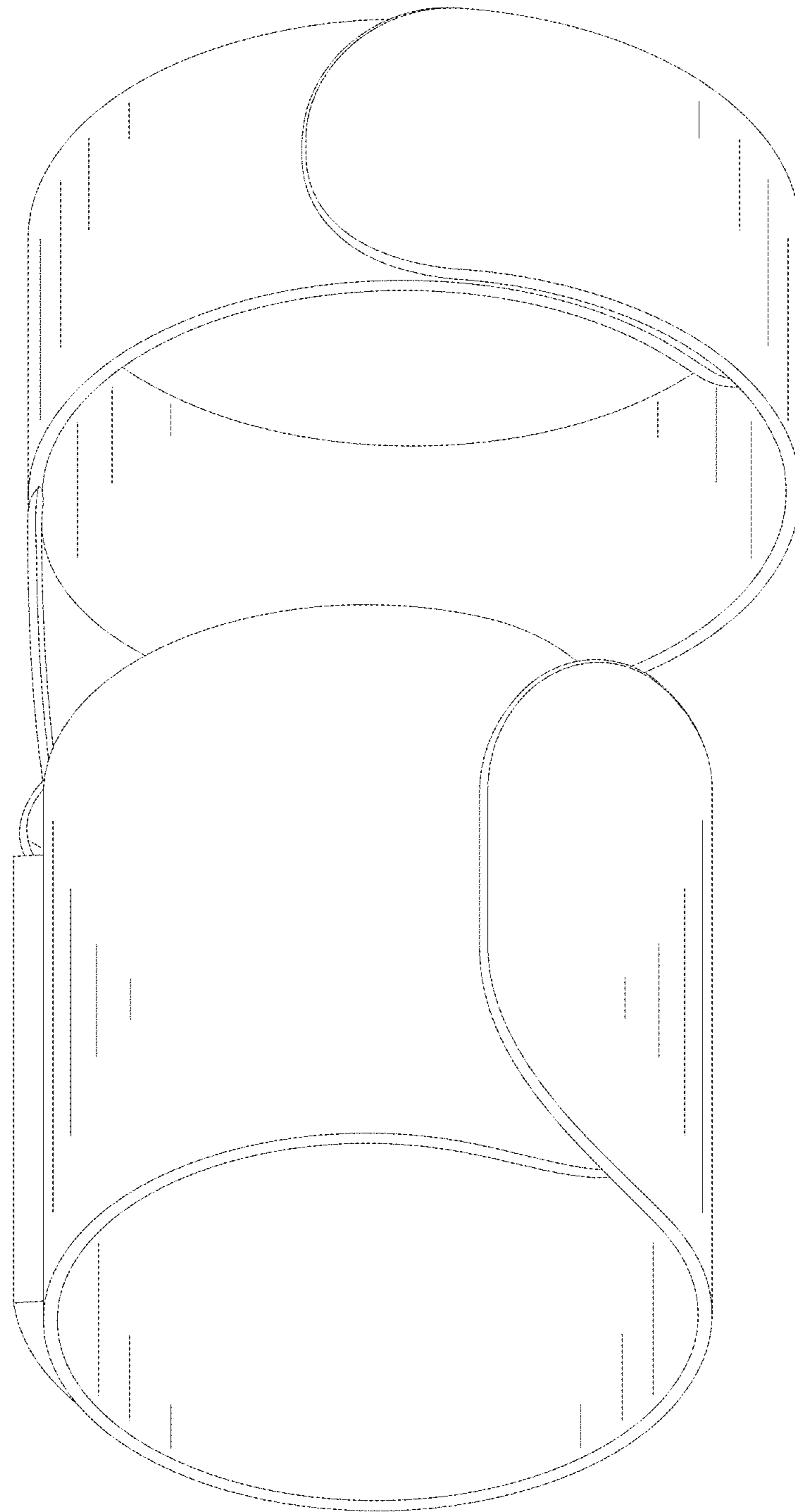


FIG.3

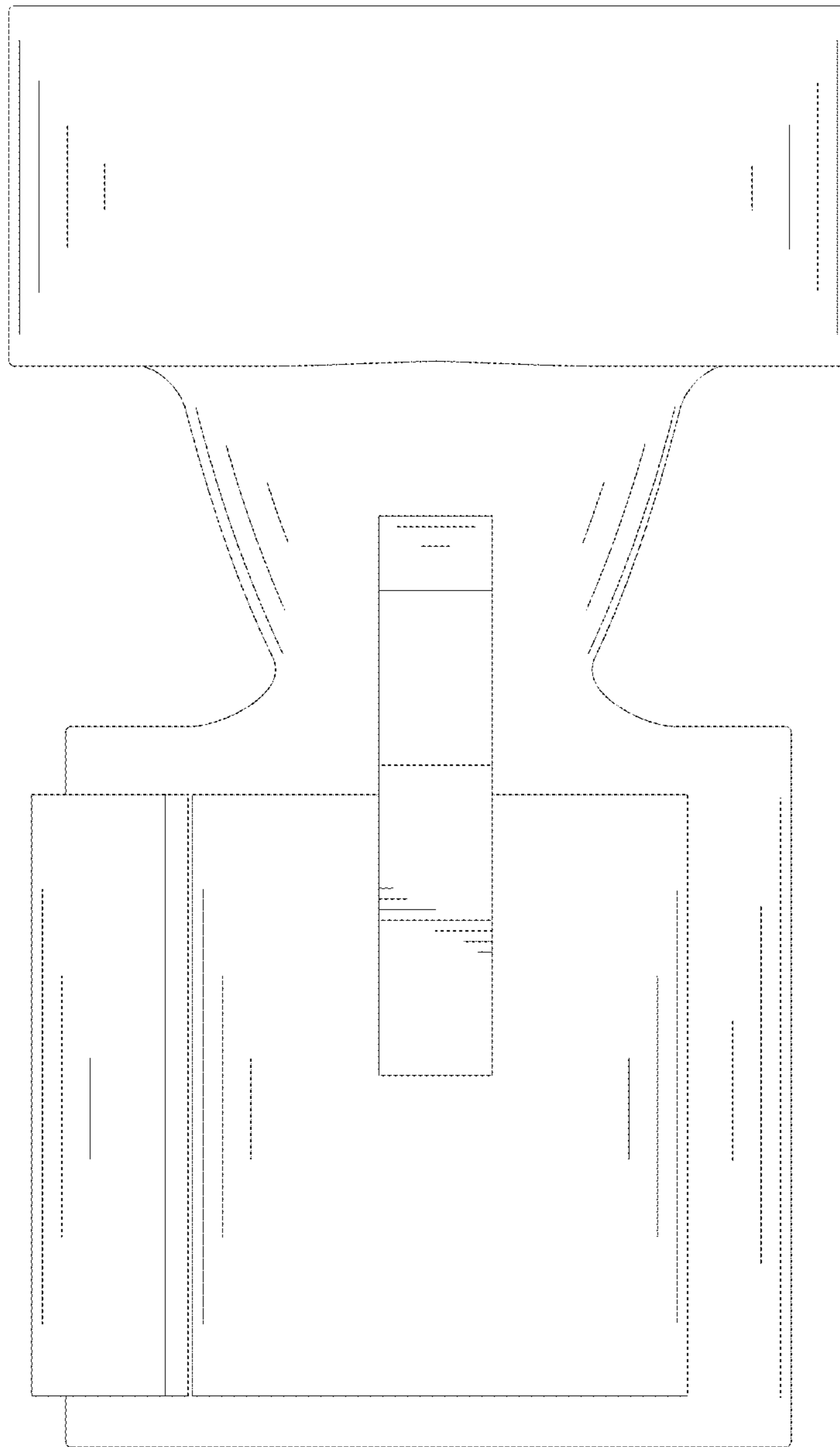


FIG.4

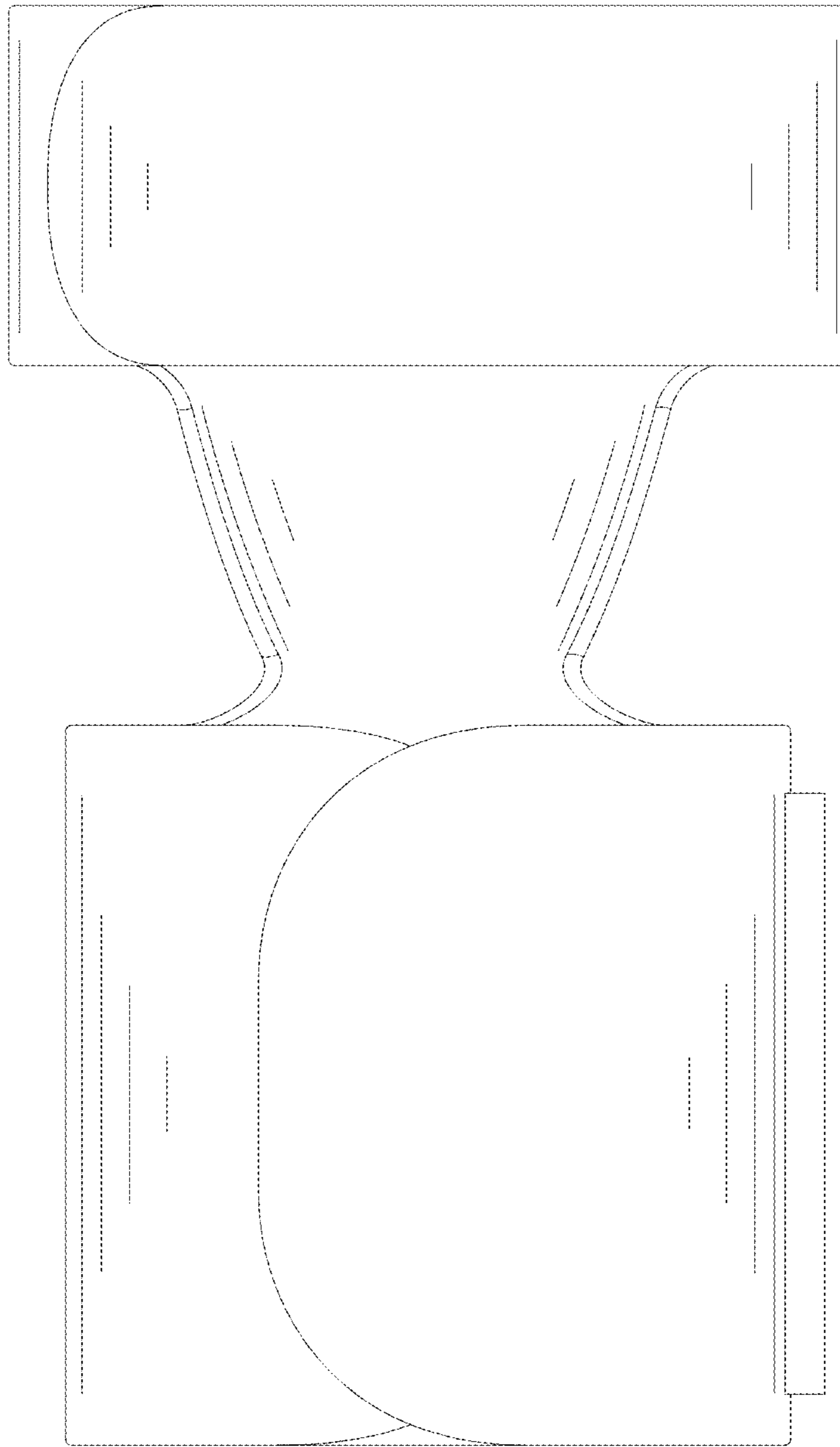


FIG.5

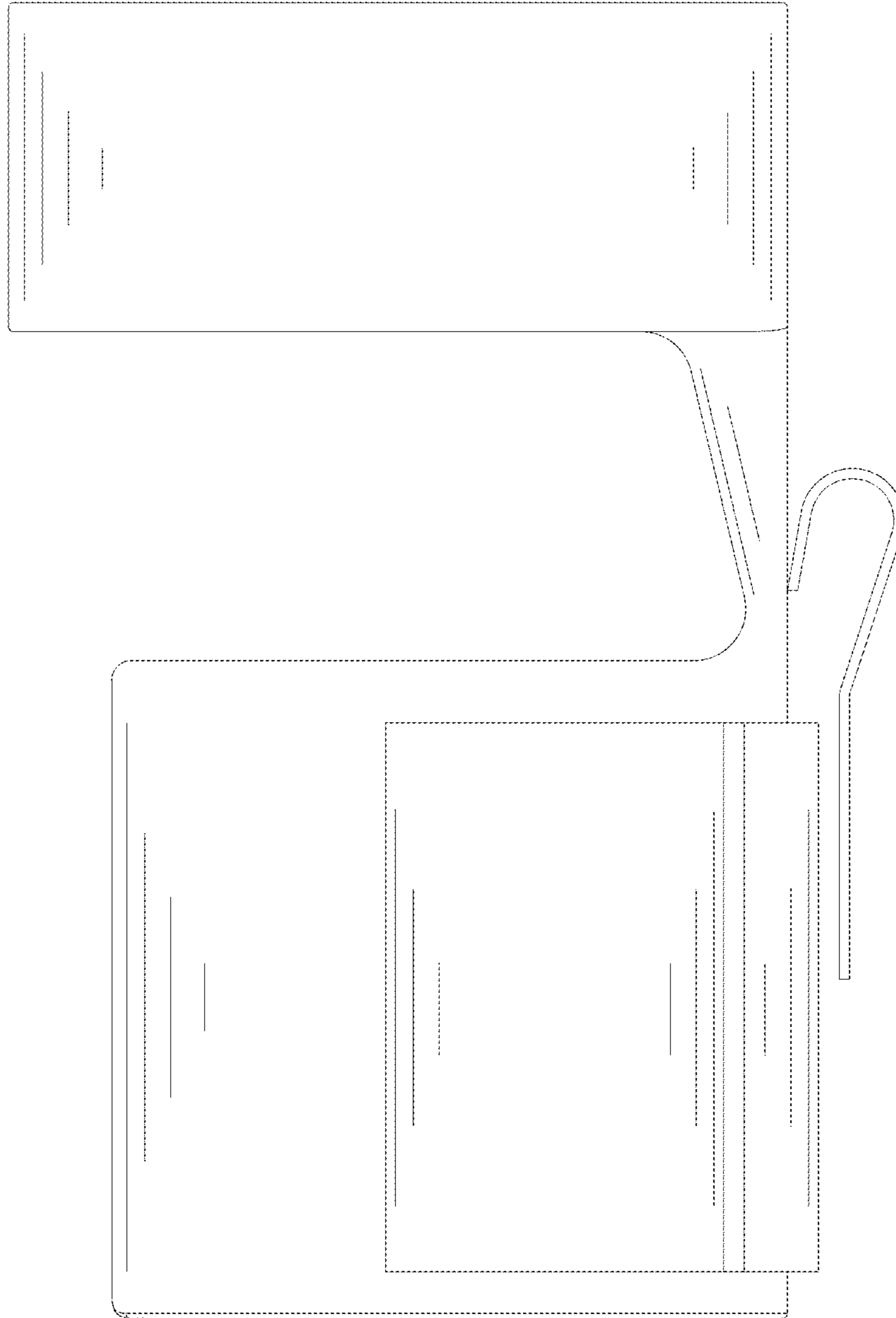


FIG.6

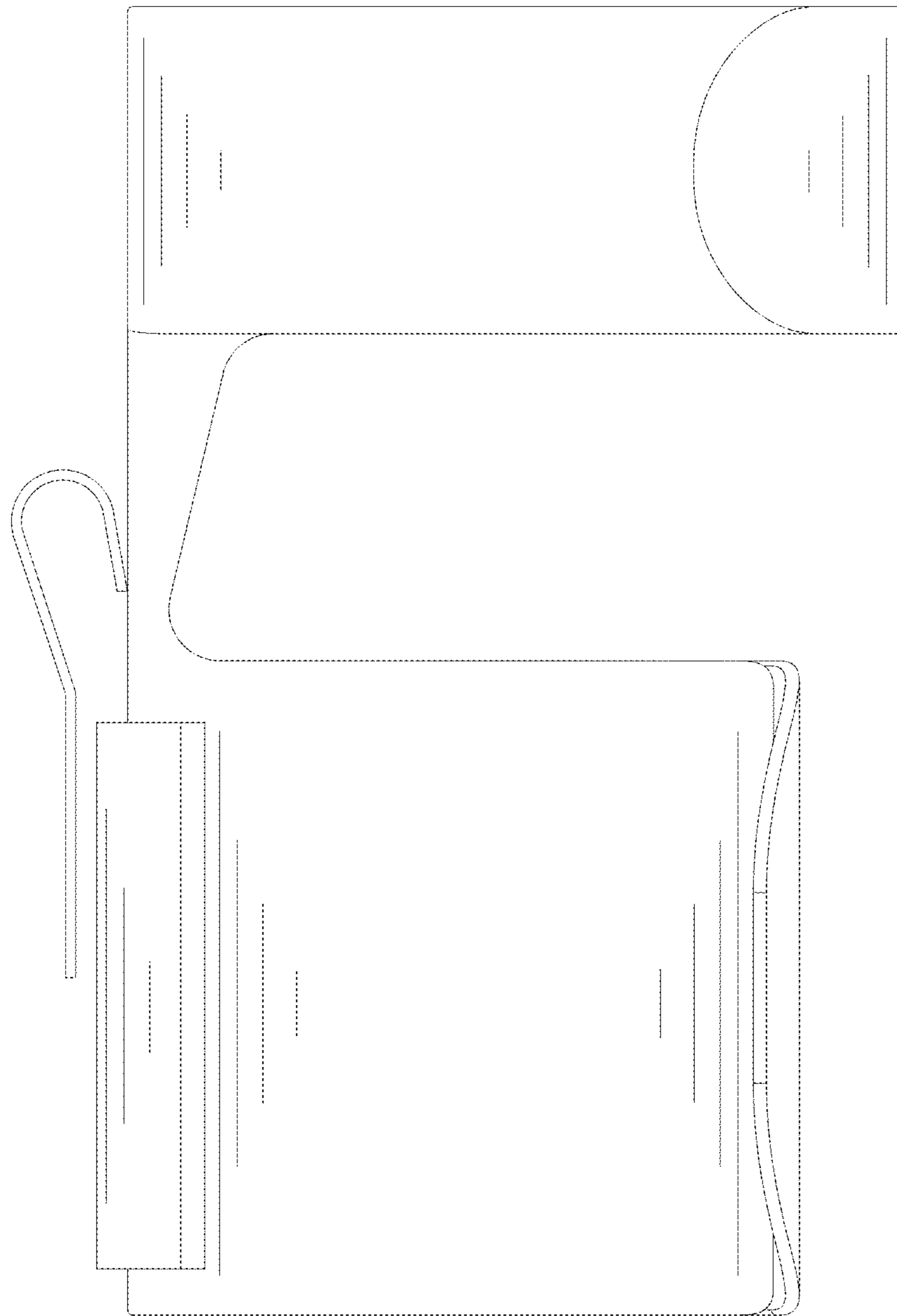


FIG.7



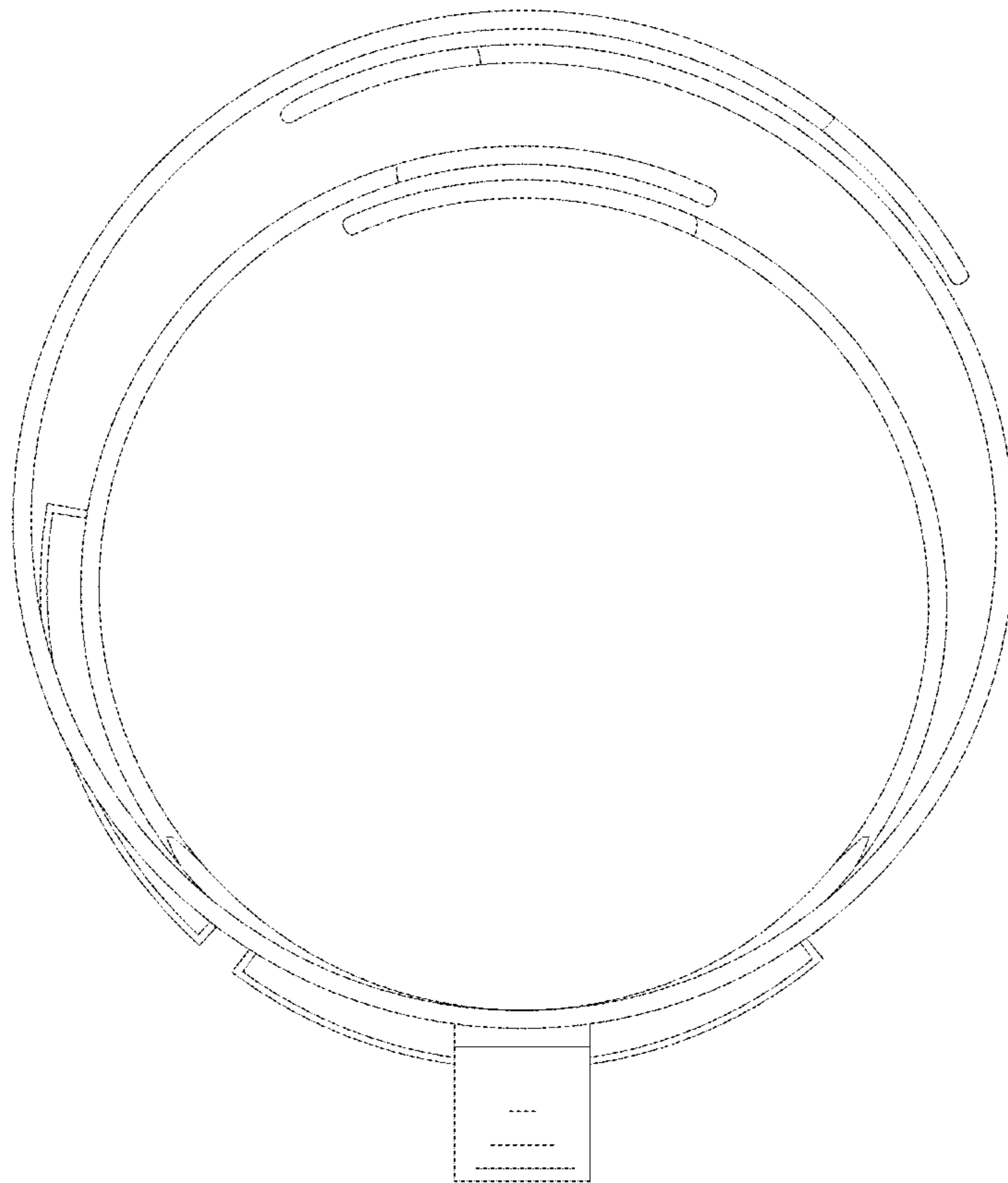


FIG.8

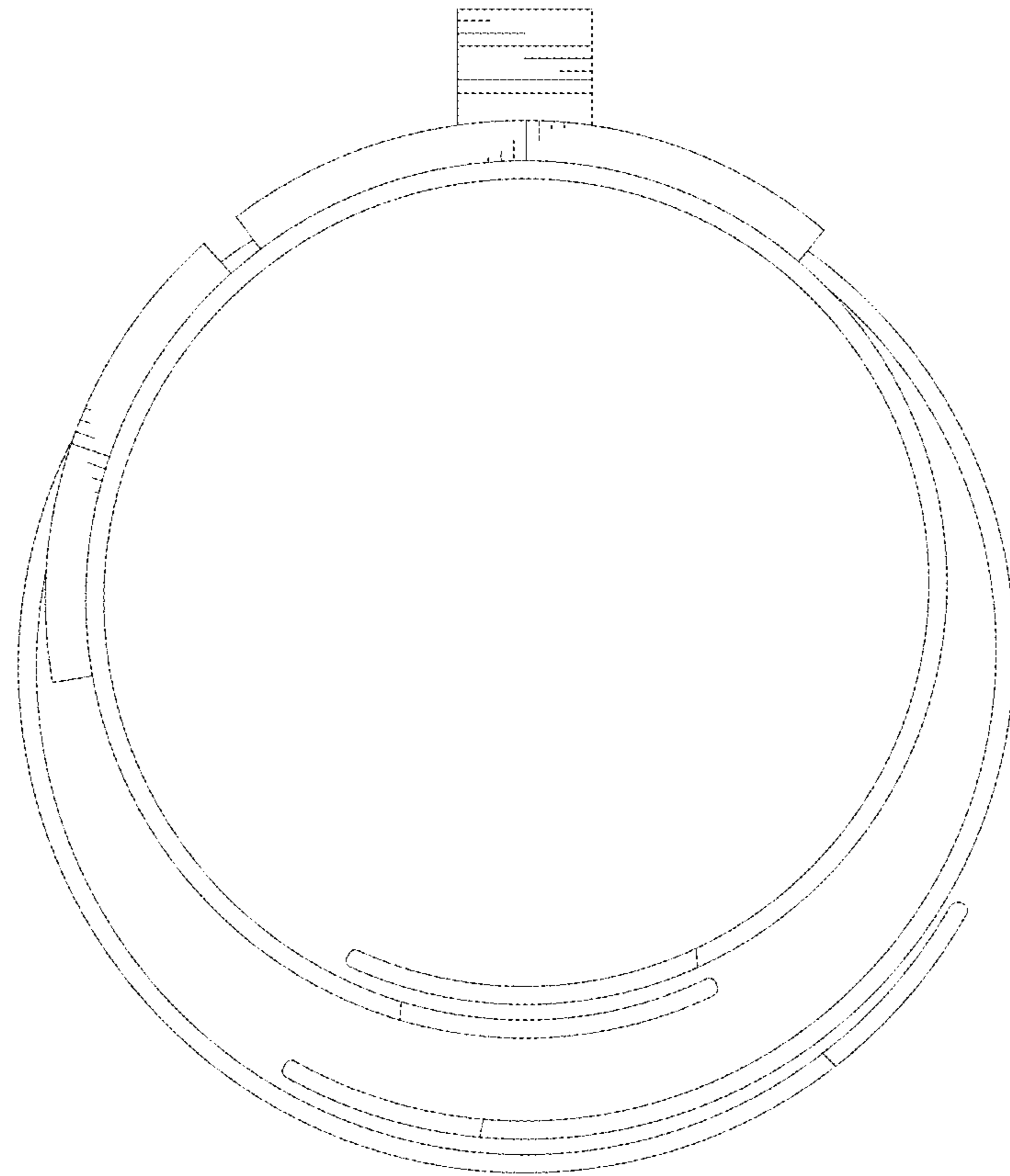


FIG.9