



US00D818701S

(12) **United States Design Patent**  
**Wright**

(10) **Patent No.:** **US D818,701 S**

(45) **Date of Patent:** **\*\* May 29, 2018**

(54) **ELECTROSTATIC SPRAYER BACKPACK**

(71) Applicant: **Victory Innovations Company**, Poway, CA (US)

(72) Inventor: **Clifford Wright**, Poway, CA (US)

(73) Assignee: **Victory Innovations Company**, St. Louis Park, MN (US)

(\*\*) Term: **15 Years**

(21) Appl. No.: **29/533,537**

(22) Filed: **Jul. 17, 2015**

(51) **LOC (11) Cl.** ..... **03-01**

(52) **U.S. Cl.**  
USPC ..... **D3/217**

(58) **Field of Classification Search**  
USPC ..... D3/201, 213–219, 221, 224, 225, 229, D3/230, 232, 243–246, 254, 318; D23/225  
CPC ..... A45F 3/04; A45F 4/02; A45F 2200/0525; A45F 2003/045; A45C 11/00; A45C 13/30; A45C 2011/002; A45C 2011/003; A45C 2011/001; A45C 15/00  
See application file for complete search history.

(56) **References Cited**

**U.S. PATENT DOCUMENTS**

4,848,660	A *	7/1989	O'Connell	.....	B05B 9/08
					222/175
7,007,826	B2 *	3/2006	Shapanus	.....	B05B 9/0861
					222/175
D622,500	S *	8/2010	Pho	.....	D3/216
7,997,511	B2 *	8/2011	Reynolds	.....	B05B 7/2475
					224/148.1
D654,567	S *	2/2012	Yamamoto	.....	D23/225
D720,039	S *	12/2014	Tinius	.....	D23/225
D731,027	S *	6/2015	Sanz Perez	.....	D23/225

9,149,109	B2 *	10/2015	Slaton	.....	A45F 3/16
D749,192	S *	2/2016	Fontaine	.....	D23/225
2012/0018478	A1 *	1/2012	Hanna	.....	A45F 3/04
					224/600

\* cited by examiner

*Primary Examiner* — George D. Kirschbaum

*Assistant Examiner* — Jennifer L Watkins

(74) *Attorney, Agent, or Firm* — Mintz Levin Cohn Ferris Glovsky and Popeo, P.C.

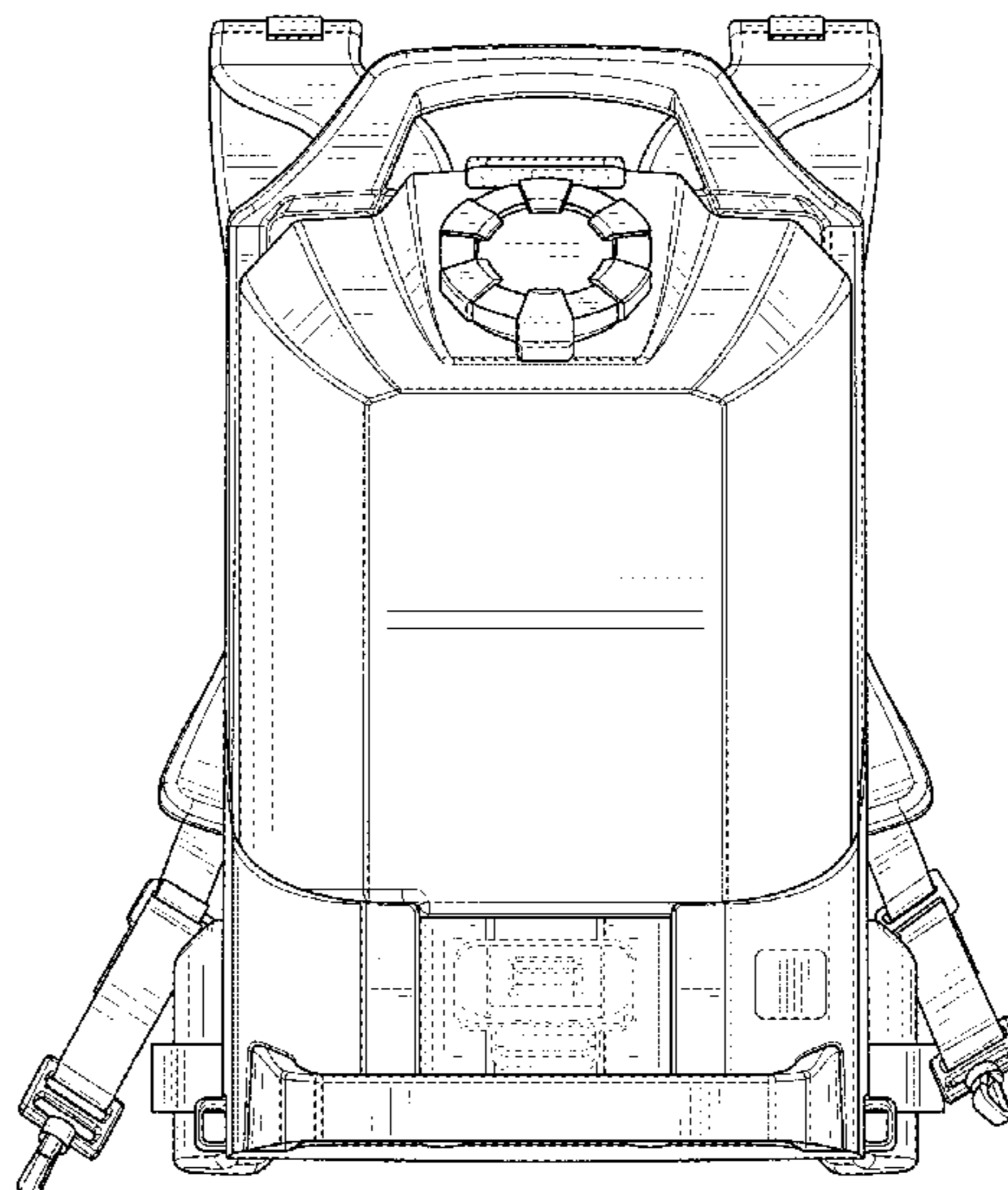
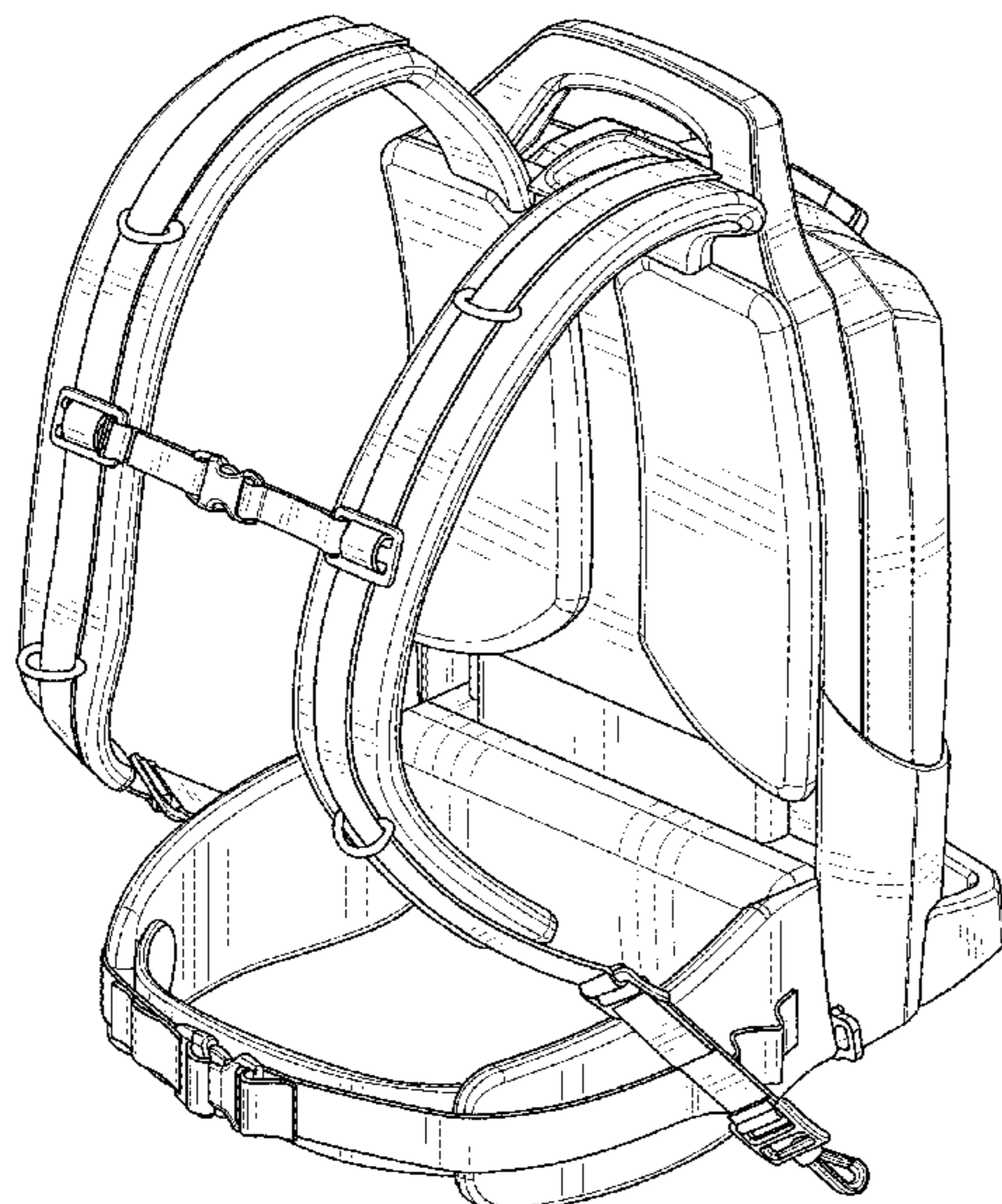
(57) **CLAIM**

The ornamental design for an electrostatic sprayer backpack, as shown and described.

**DESCRIPTION**

FIG. 1 shows a front, perspective view of an electrostatic sprayer backpack, showing my new design; FIG. 2 shows a front, elevational view of the electrostatic sprayer backpack shown in FIG. 1; any broken lines in the drawings are for the purposes of illustrating portions of an electrostatic sprayer backpack and form no part of the claim; FIG. 3 shows a rear, elevational view of the electrostatic sprayer backpack shown in FIG. 1; any broken lines in the drawings are for the purposes of illustrating portions of an electrostatic sprayer backpack and form no part of the claim; FIG. 4 shows a left, side elevational view of the electrostatic sprayer backpack shown in FIG. 1; FIG. 5 shows a right, side elevational view of the electrostatic sprayer backpack shown in FIG. 1; FIG. 6 shows a top, plan view of the electrostatic sprayer backpack shown in FIG. 1; and, FIG. 7 shows a bottom, plan view of the electrostatic sprayer backpack shown in FIG. 1. The broken lines in the figures are for the purpose of illustrating portions of an electrostatic sprayer backpack and form no part of the claim.

**1 Claim, 7 Drawing Sheets**



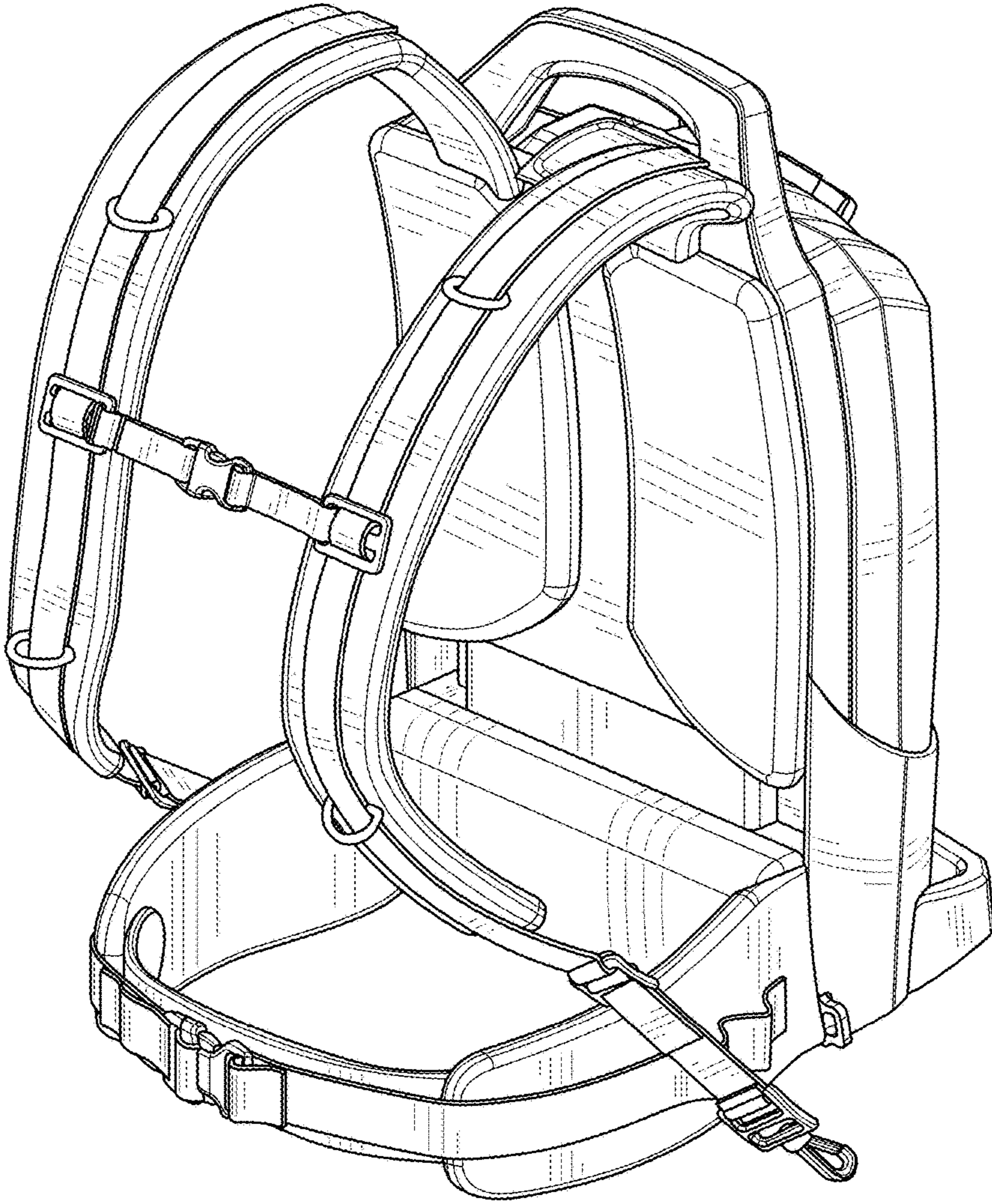


FIG. 1

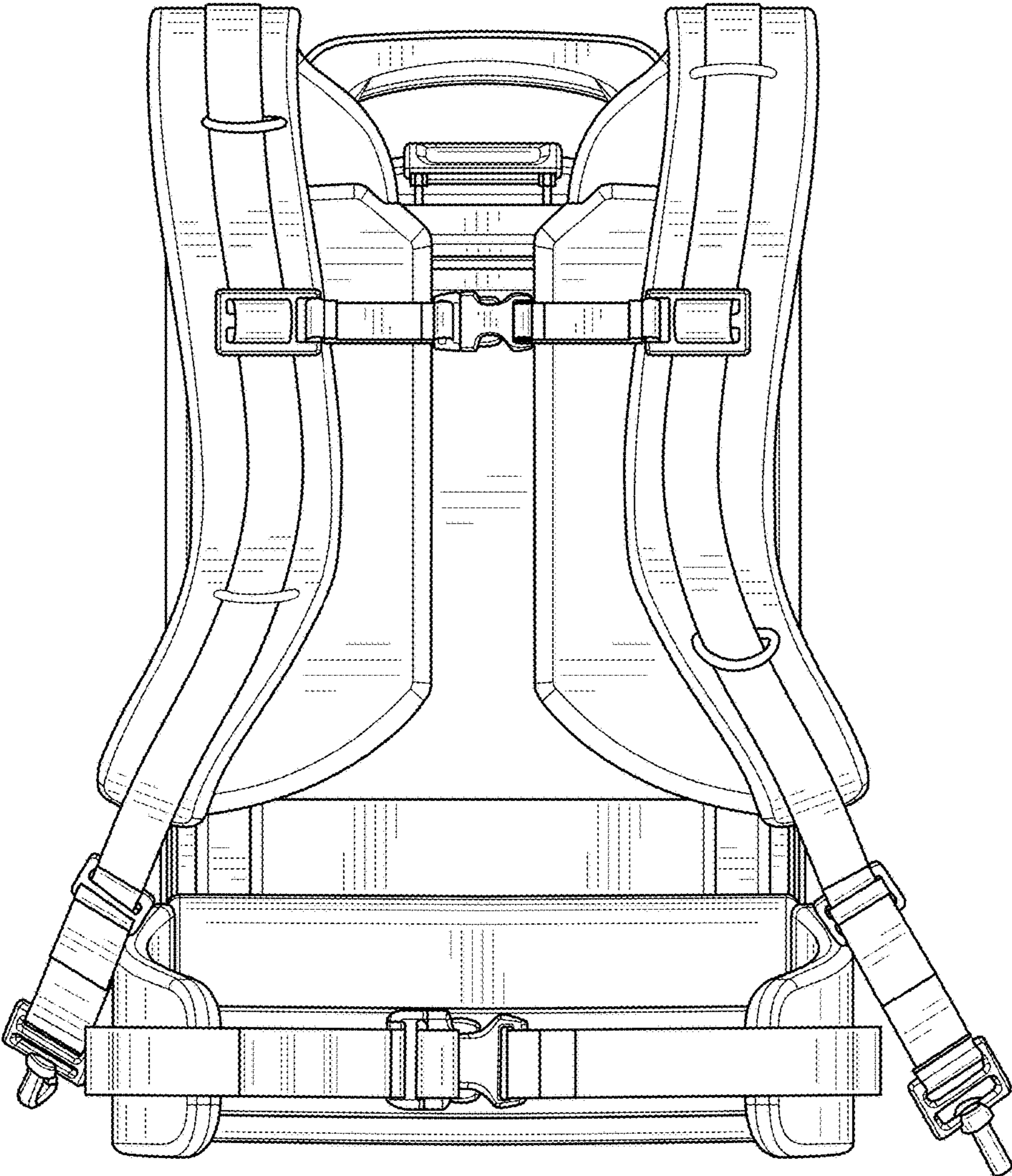


FIG. 2

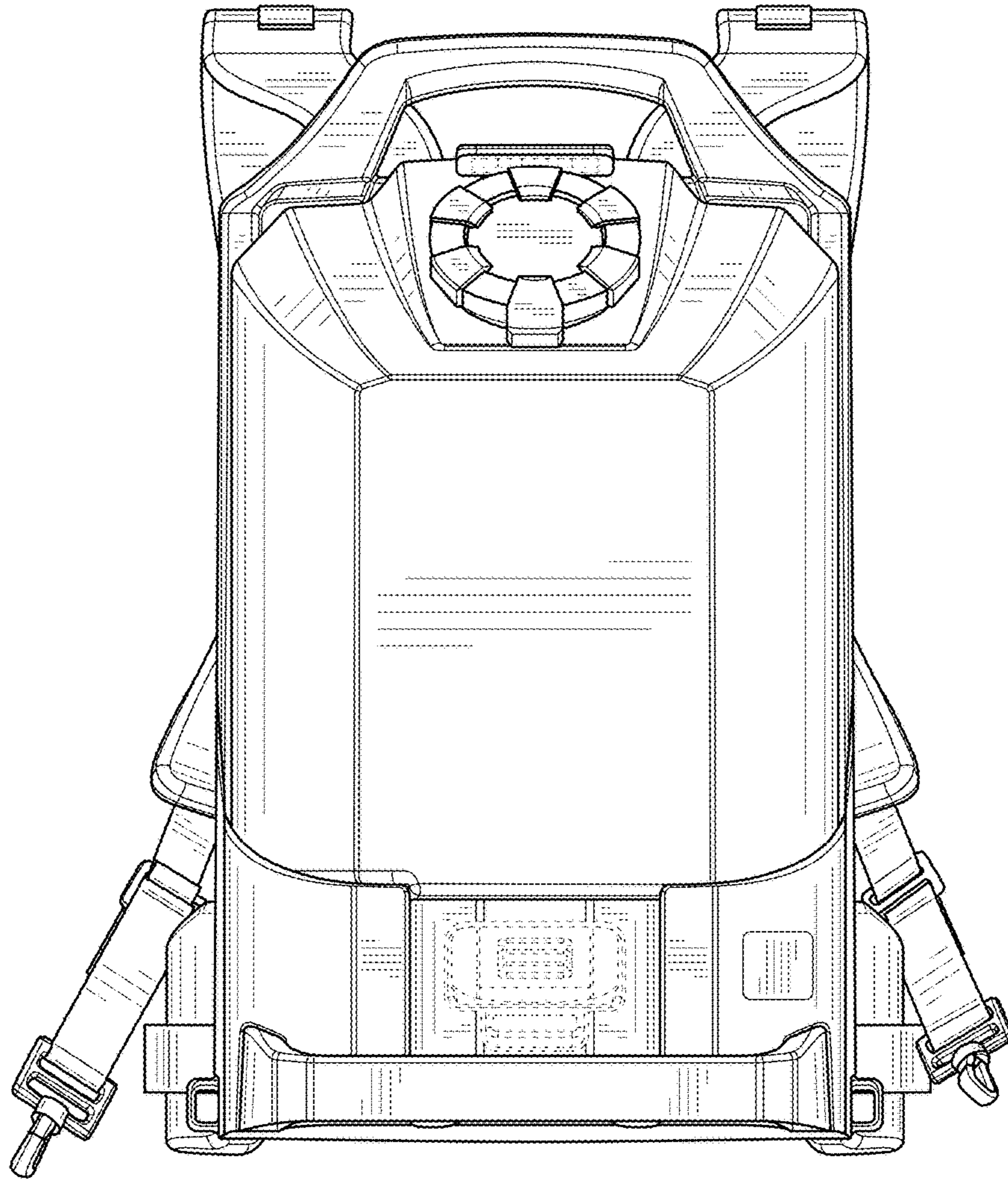


FIG. 3

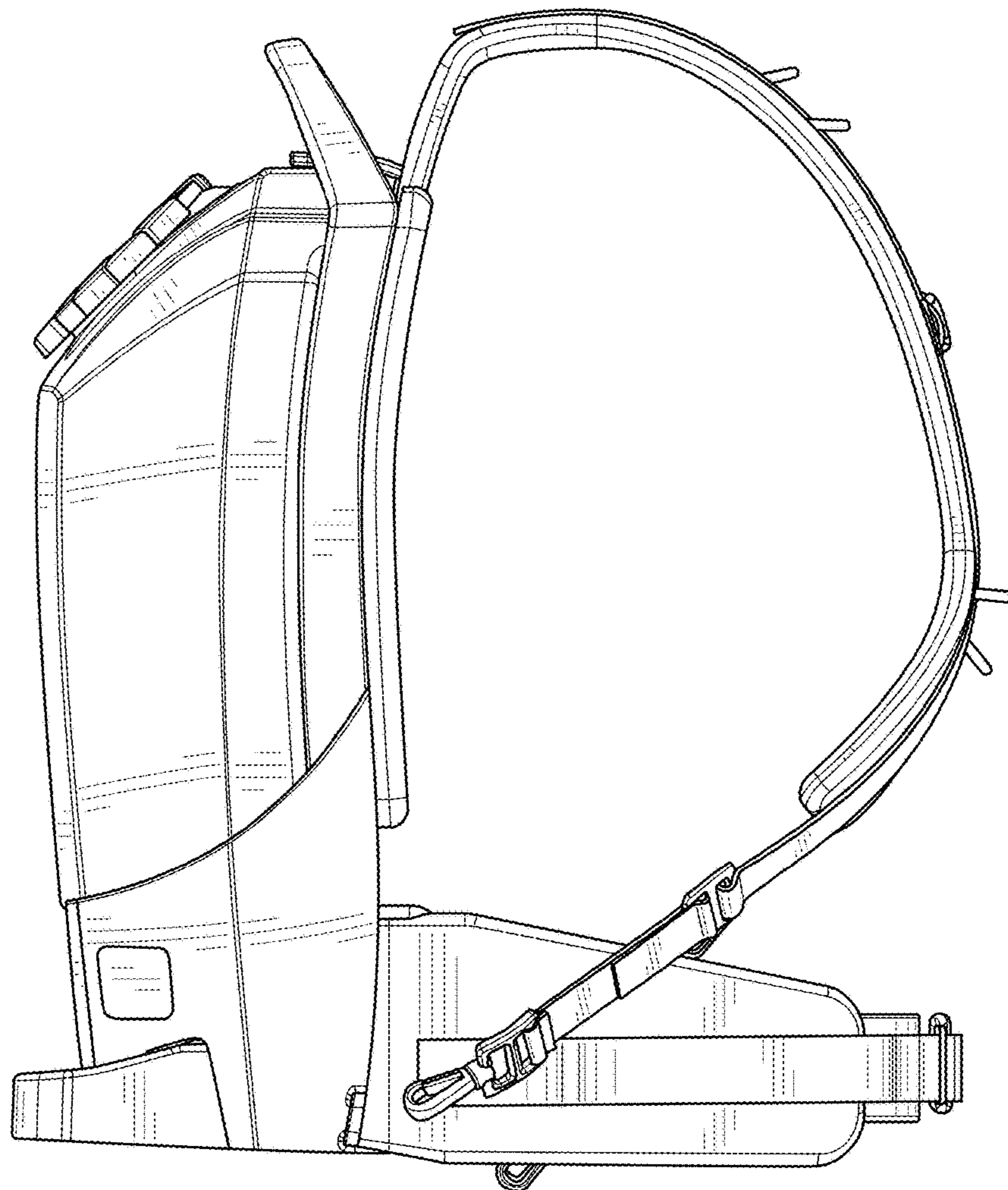


FIG. 4

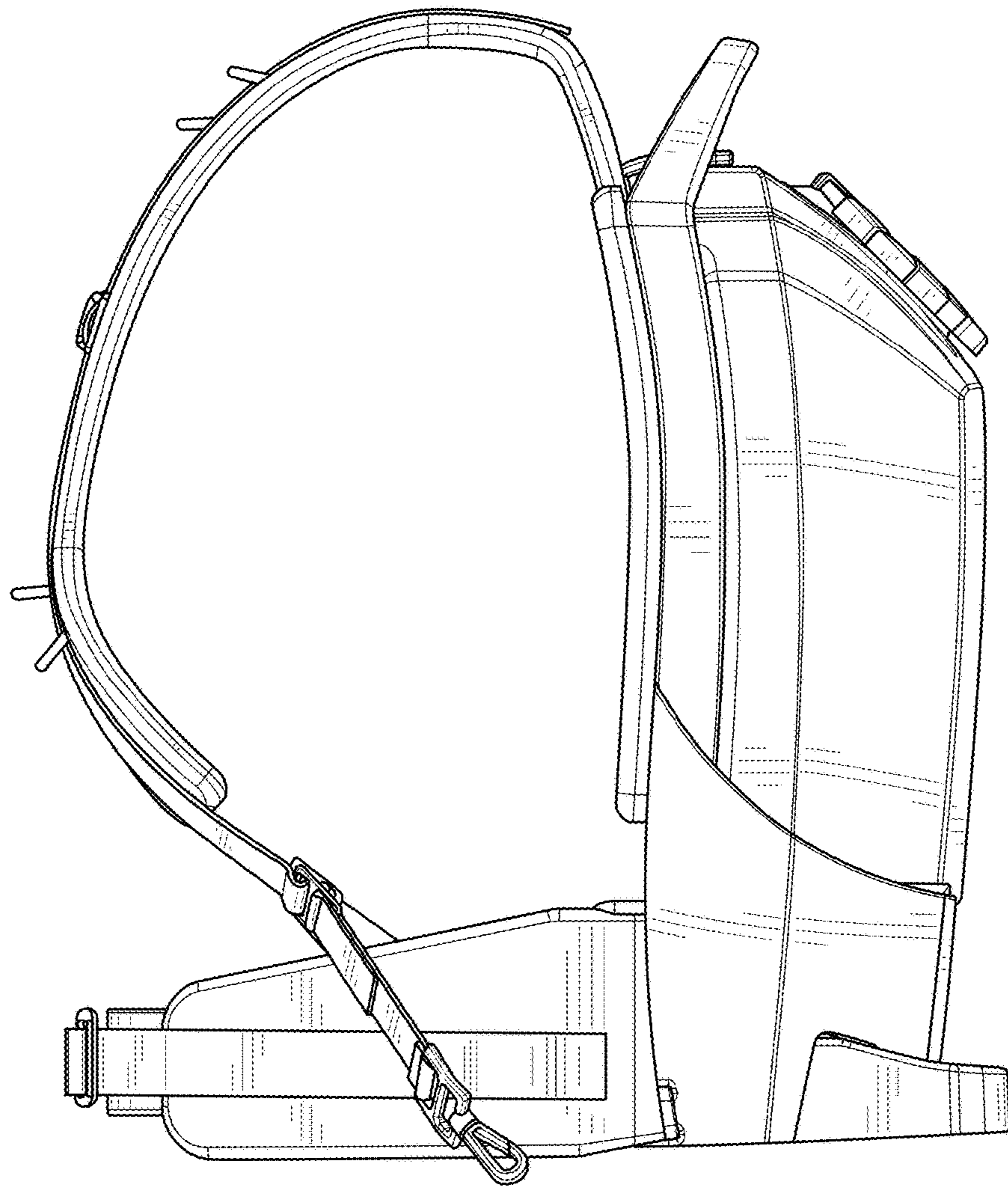


FIG. 5

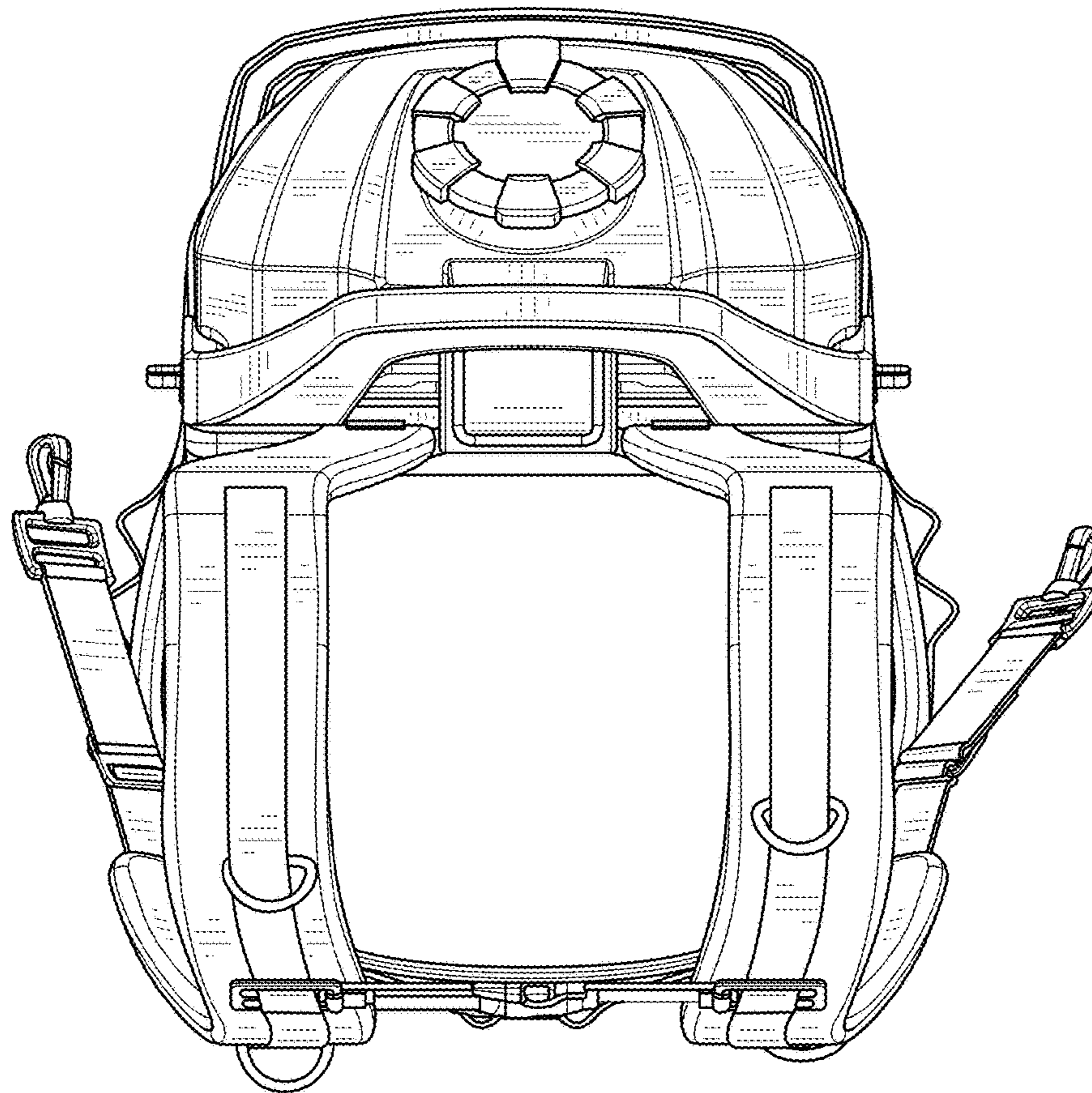


FIG. 6

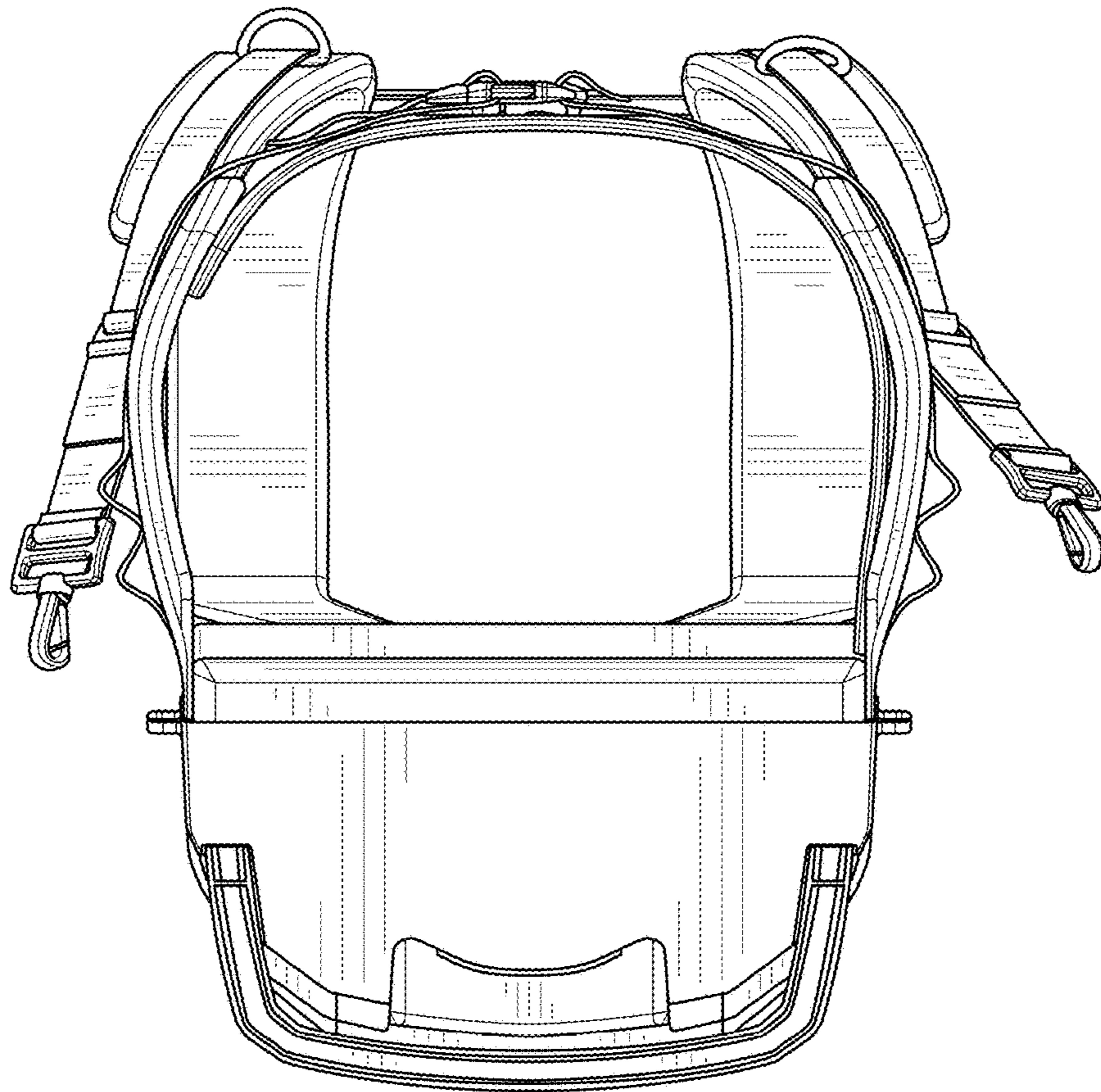


FIG. 7