



US00D818700S

(12) **United States Design Patent** (10) **Patent No.:** **US D818,700 S**
Lehrberg et al. (45) **Date of Patent:** **** May 29, 2018**

(54) **CONTAINER FOR MEDICAL IMPLANT**

(71) Applicant: **PneumRx, Inc.**, Santa Clara, CA (US)

(72) Inventors: **David Lehrberg**, Redwood City, CA (US); **Jeffrey W. Etter**, Hayward, CA (US)

(73) Assignee: **PneumRx, Inc.**, Santa Clara, CA (US)

(**) Term: **15 Years**

(21) Appl. No.: **29/579,620**

(22) Filed: **Sep. 30, 2016**

(51) **LOC (11) Cl.** **03-01**

(52) **U.S. Cl.**
USPC **D3/203.1; D24/231**

(58) **Field of Classification Search**
USPC **D3/202, 203, 213, 214, 215, 201, 226, D3/228, 224, 327, 229, 273, 290, 294,**
(Continued)

(56) **References Cited**

U.S. PATENT DOCUMENTS

D182,860 S * 5/1958 Szajna D24/110
2,877,598 A * 3/1959 Seron G10K 5/00
124/62

(Continued)

Primary Examiner — John Windmuller

Assistant Examiner — Benjamin M Weeks

(74) *Attorney, Agent, or Firm* — Kilpatrick, Townsend & Stockton LLP

(57) **CLAIM**

The ornamental design for a container for medical implant, as shown and described in FIGS. 1-22.

DESCRIPTION

FIG. 1 is a perspective view of an embodiment of a container for medical implant;

FIG. 2 is another perspective view of the embodiment of the container for medical implant of FIG. 1;

FIG. 3 is a left side view of the embodiment of the container for medical implant of FIG. 1;

FIG. 4 is a right side view of the embodiment of the container for medical implant of FIG. 1;

FIG. 5 is a front view of the embodiment of the container for medical implant of FIG. 1;

FIG. 6 is a rear view of the embodiment of the container for medical implant of FIG. 1;

FIG. 7 is a top view of the embodiment of the container for medical implant of FIG. 1;

FIG. 8 is a bottom view of the embodiment of the container for medical implant of FIG. 1;

FIG. 9 is a perspective view of a body part of the embodiment of the container for medical implant of FIG. 1;

FIG. 10 is a left side view of the body part of the embodiment of the container for medical implant of FIG. 1;

FIG. 11 is a right side view of the body part of the embodiment of the container for medical implant of FIG. 1;

FIG. 12 is a front view of the body part of the embodiment of the container for medical implant of FIG. 1;

FIG. 13 is a rear view of the body part of the embodiment of the container for medical implant of FIG. 1;

FIG. 14 is a top view of the body part of the embodiment of the container for medical implant of FIG. 1;

FIG. 15 is a bottom view of the body part of the embodiment of the container for medical implant of FIG. 1;

FIG. 16 is a perspective view of a cap part of the embodiment of the container for medical implant of FIG. 1;

FIG. 17 is a left side view of the cap part of the embodiment of the container for medical implant of FIG. 1;

FIG. 18 is a right side view of the cap part of the embodiment of the container for medical implant of FIG. 1;

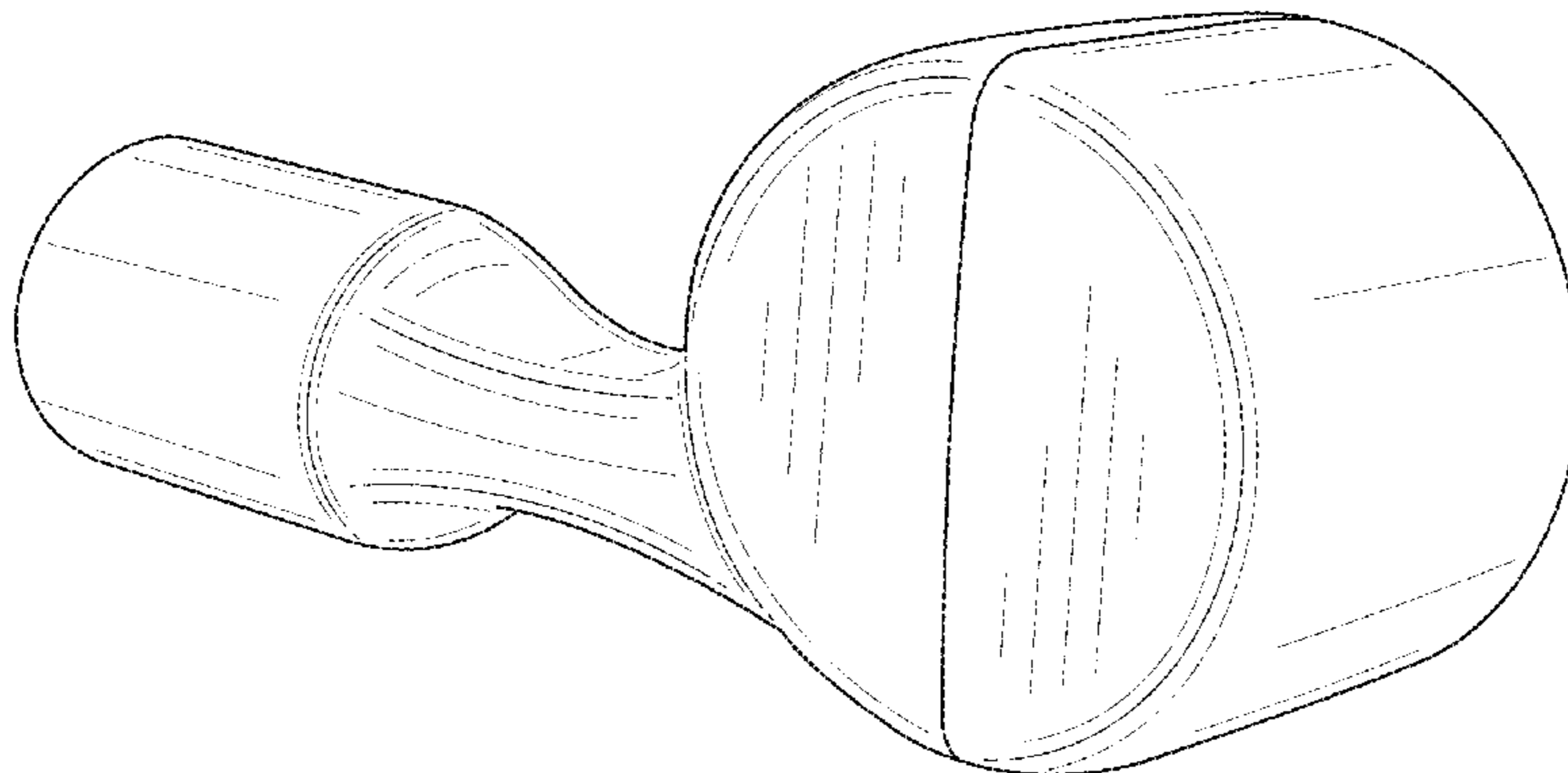
FIG. 19 is a front view of the cap part of the embodiment of the container for medical implant of FIG. 1;

FIG. 20 is a rear view of the cap part of the embodiment of the container for medical implant of FIG. 1;

FIG. 21 is a top view of the cap part of the embodiment of the container for medical implant of FIG. 1; and,

FIG. 22 is a bottom view of the cap part of the embodiment of the container for medical implant of FIG. 1.

1 Claim, 22 Drawing Sheets



(58) **Field of Classification Search**

USPC D3/243, 245, 246, 266, 904, 304, 307,
D3/308, 309, 315; D7/509, 510, 511;
D9/455, 706, 707; D34/11; D24/231
CPC . B65D 77/24; A45C 11/20; A45F 5/00; A45F
3/12; G10K 5/00

See application file for complete search history.

(56) **References Cited**

U.S. PATENT DOCUMENTS

D235,037 S * 4/1975 Jolly D3/294
D333,003 S * 2/1993 Chettleburgh D24/112
D681,803 S * 5/2013 Sheehy D24/110
D725,769 S * 3/2015 Djupesland D24/110
D731,049 S * 6/2015 Winter D24/107
D742,629 S * 11/2015 Nam D3/213
D747,465 S * 1/2016 Homsy D24/112
D773,645 S * 12/2016 Lee D24/110
D783,153 S * 4/2017 Cottam D24/110
D783,806 S * 4/2017 Milton-Edwards D24/110
D785,782 S * 5/2017 Chen D24/112
D787,663 S * 5/2017 Schlueter D24/112
2009/0272311 A1* 11/2009 Shishido G10K 5/00
116/137 R
2010/0282253 A1* 11/2010 Newman, Jr. A61M 16/0816
128/202.22
2011/0214597 A1* 9/2011 Foxcroft G10K 5/00
116/137 R
2016/0314678 A1* 10/2016 Hsieh G10K 5/00
2017/0103634 A1* 4/2017 Velez G01F 15/185

* cited by examiner

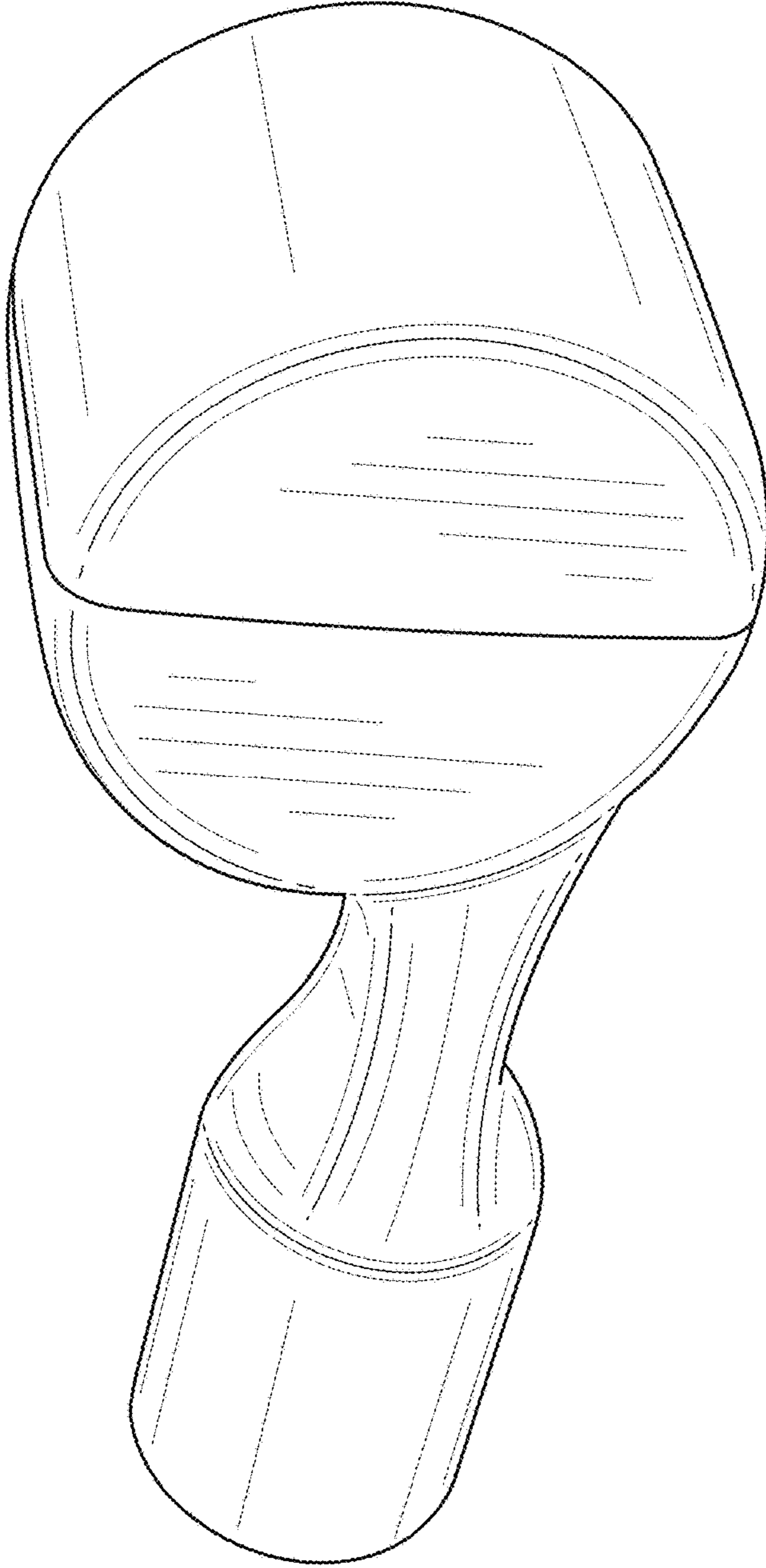


FIG. 1

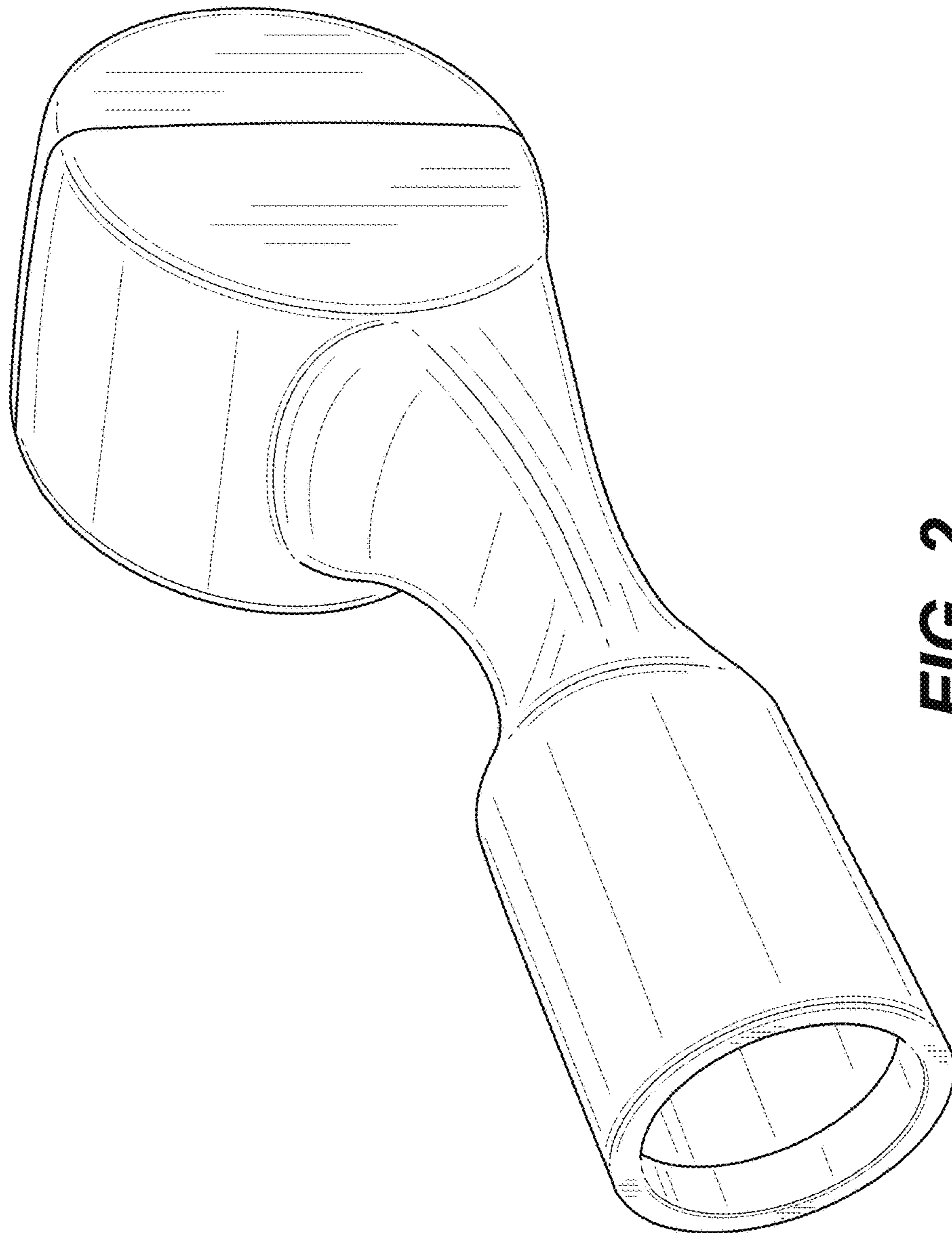


FIG. 2

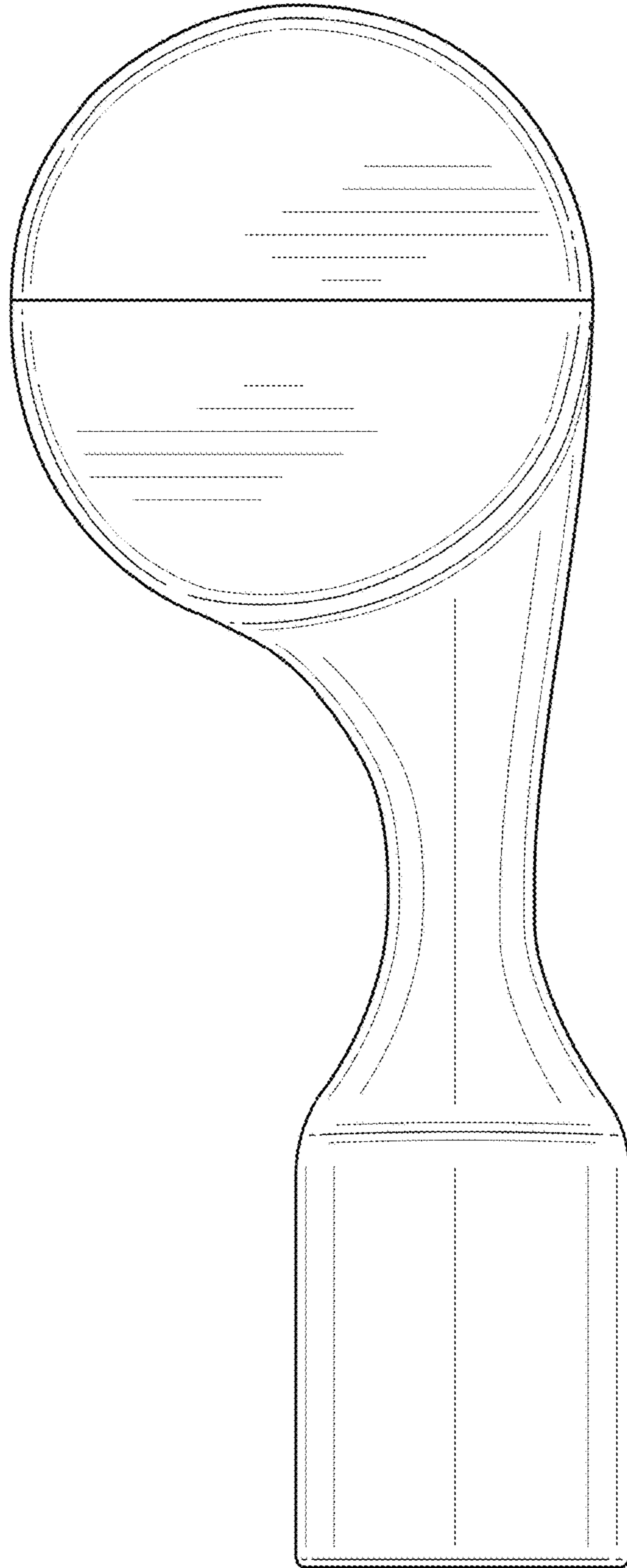


FIG. 3

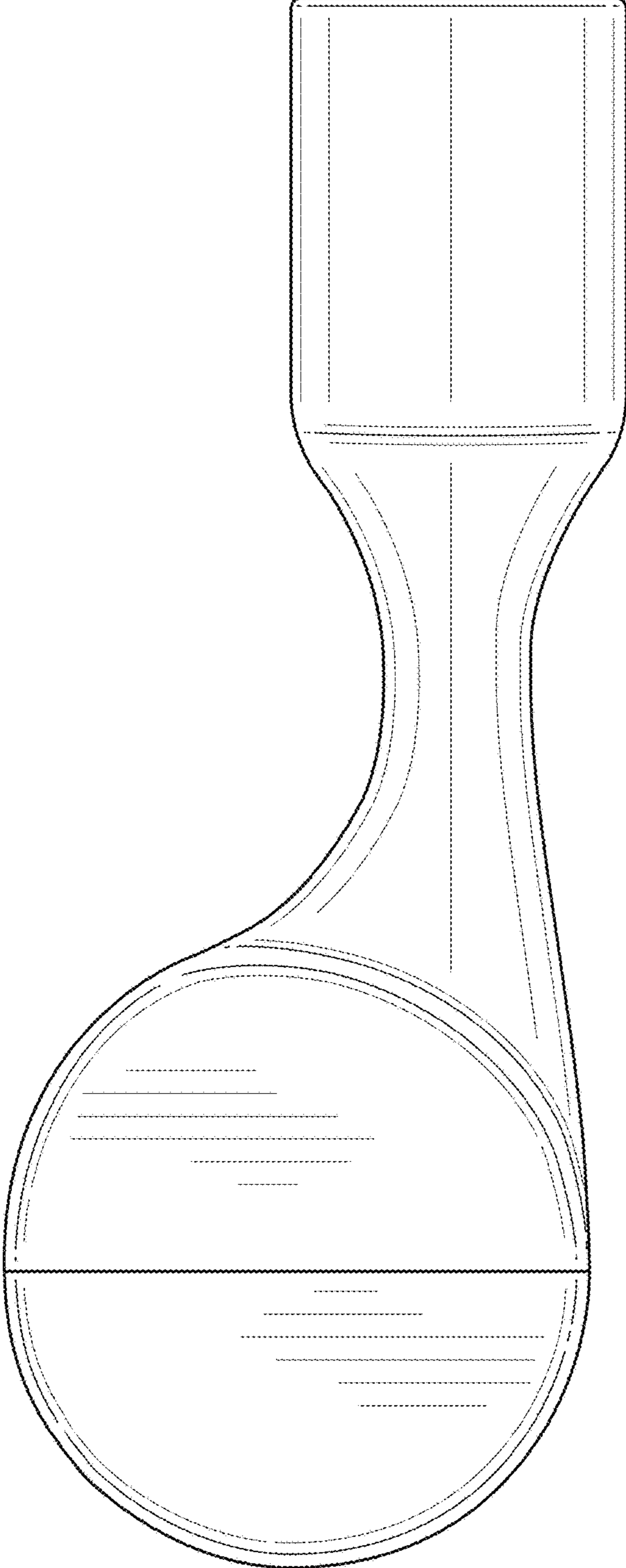


FIG. 4

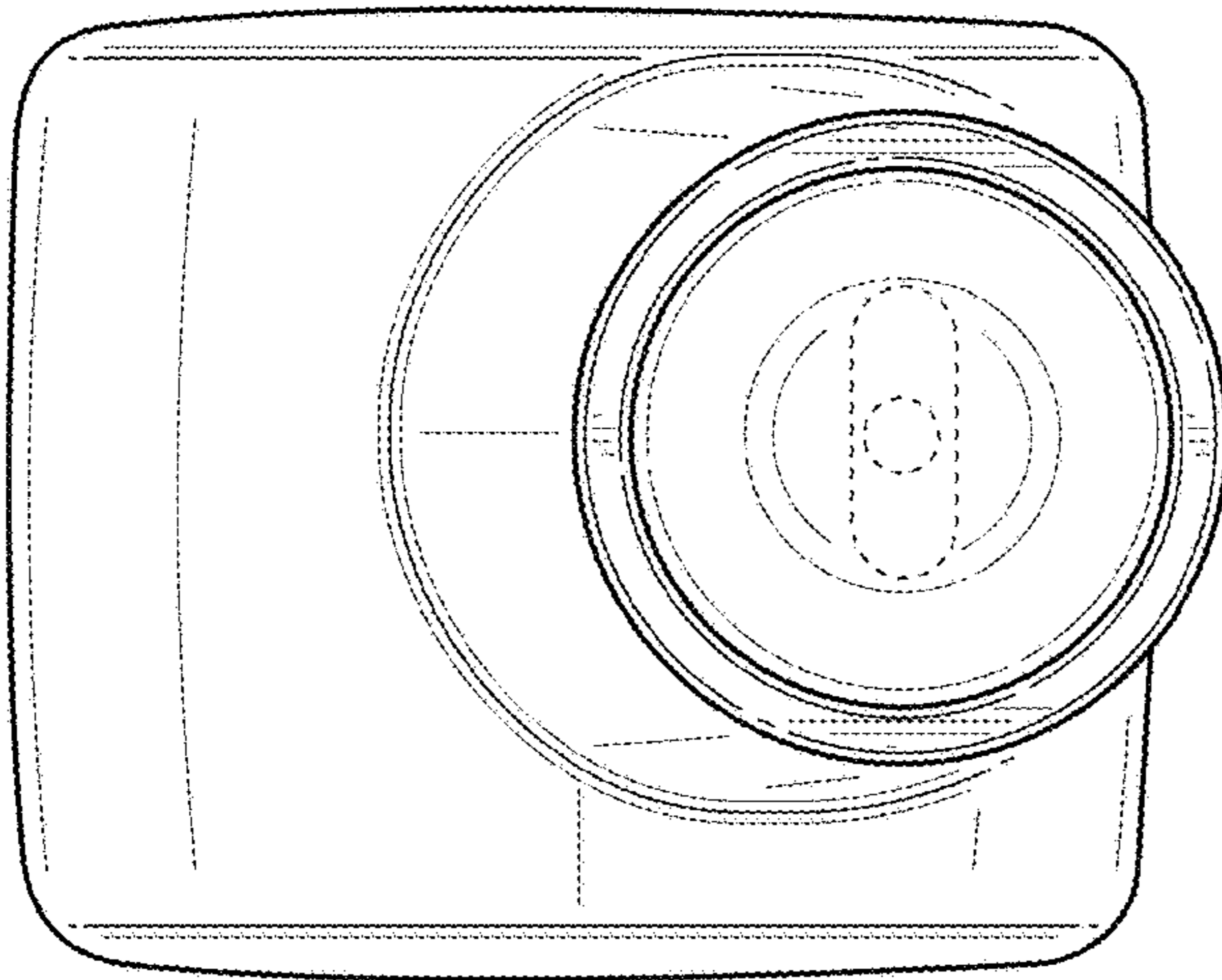


FIG. 5

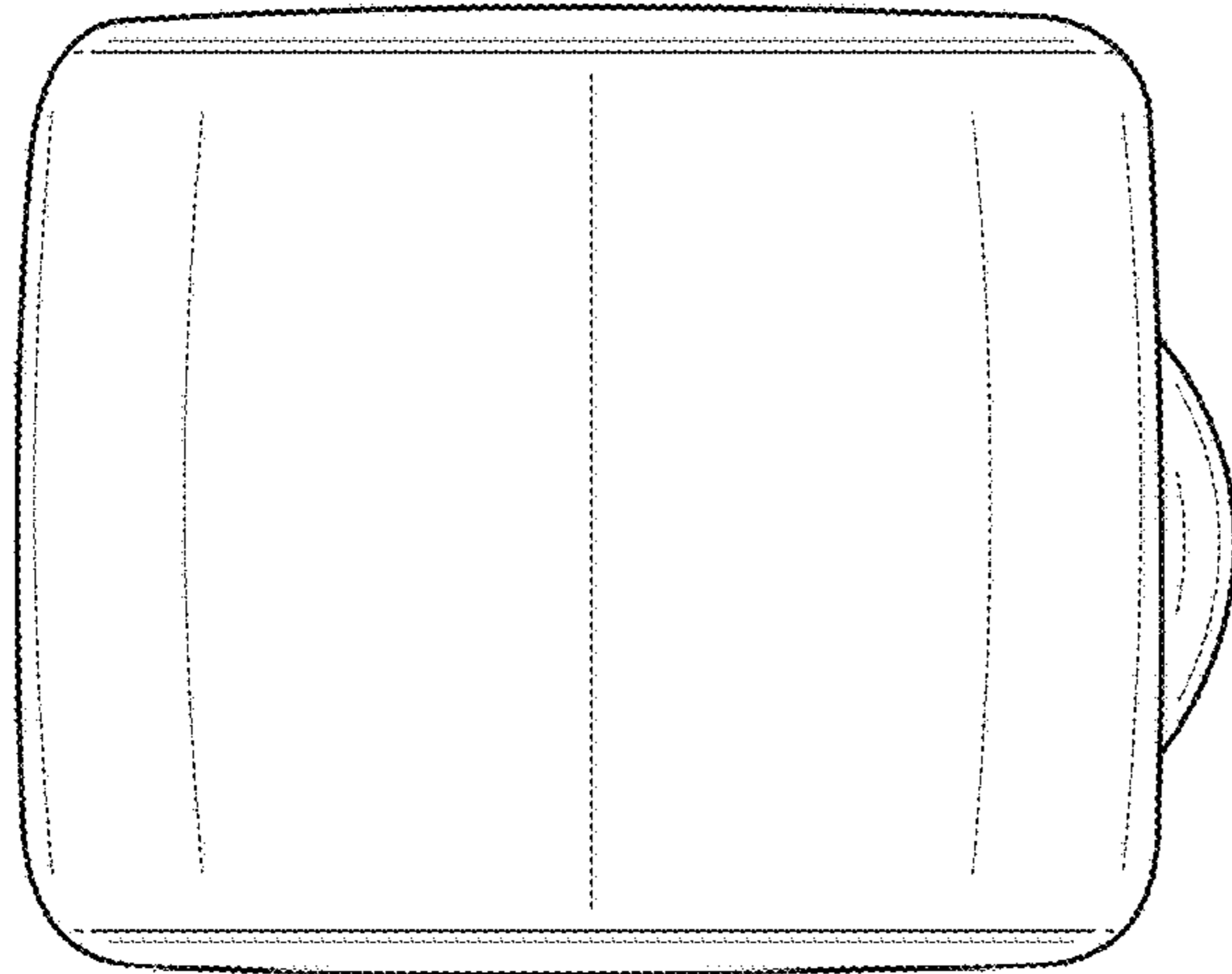


FIG. 6

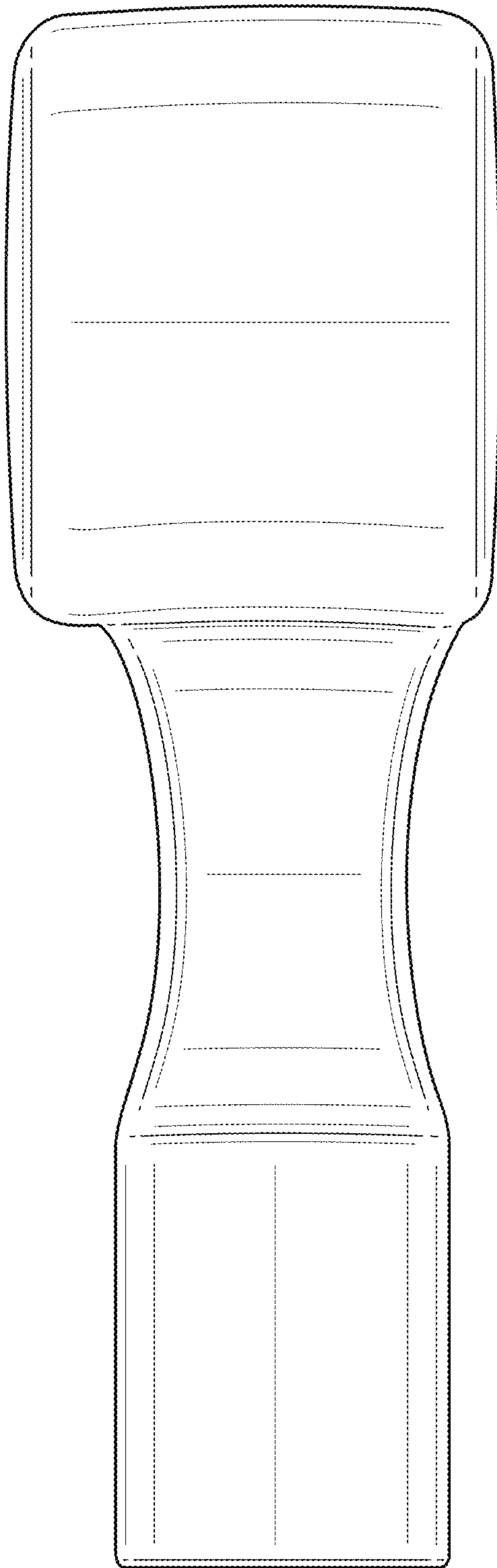


FIG. 7

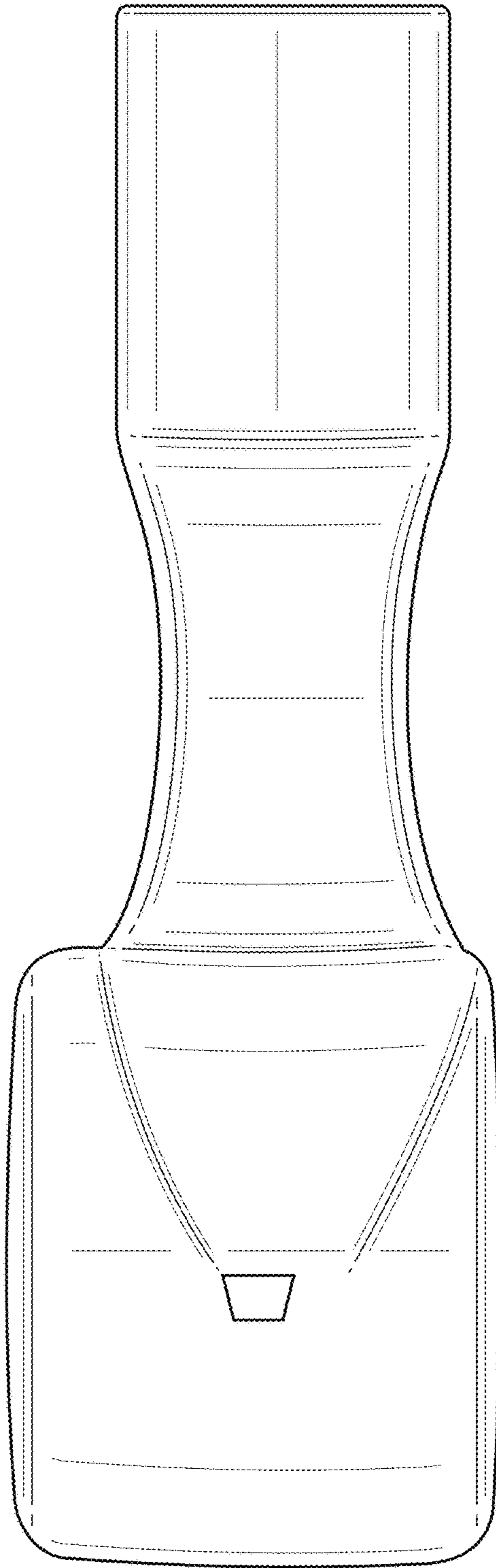


FIG. 8

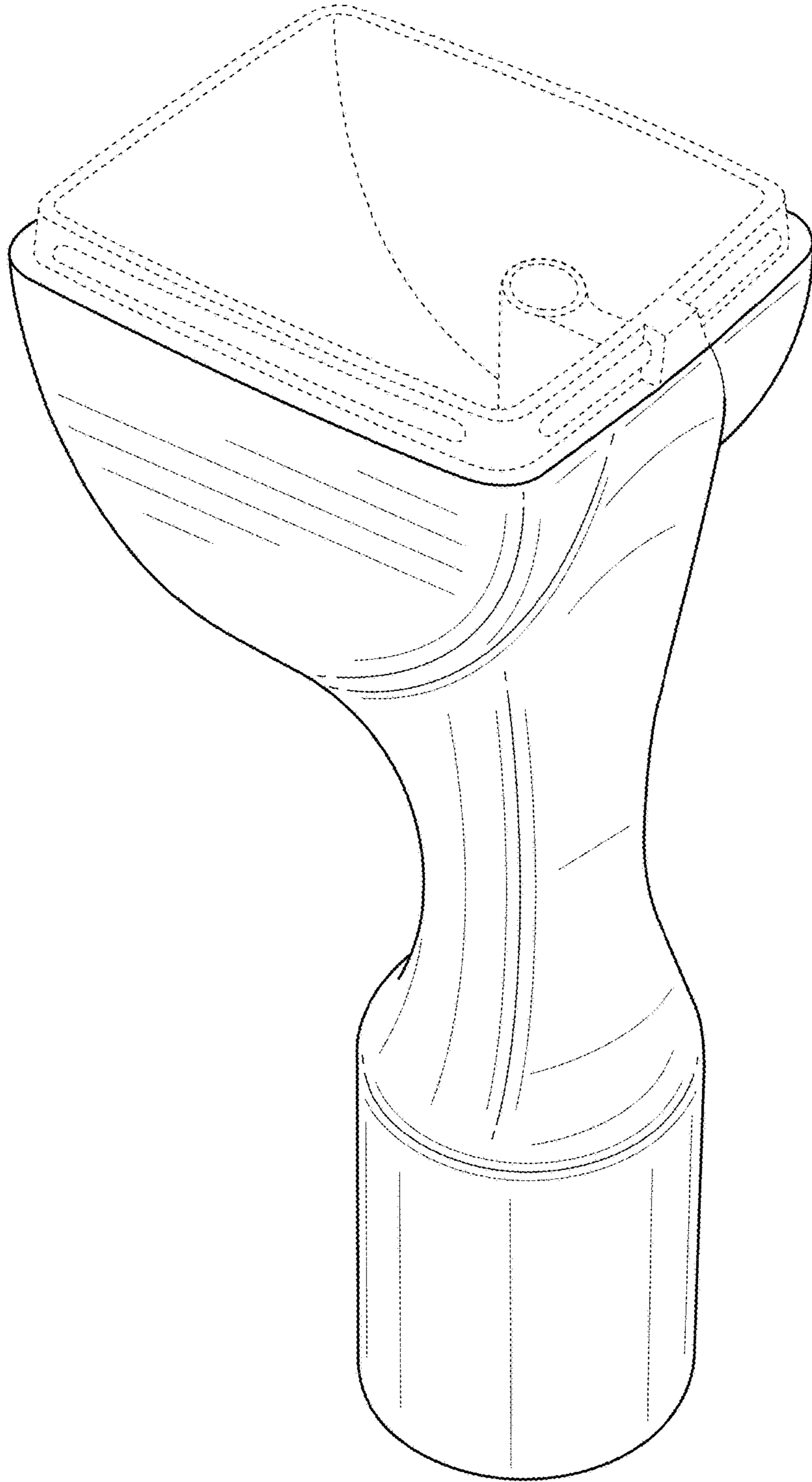


FIG. 9

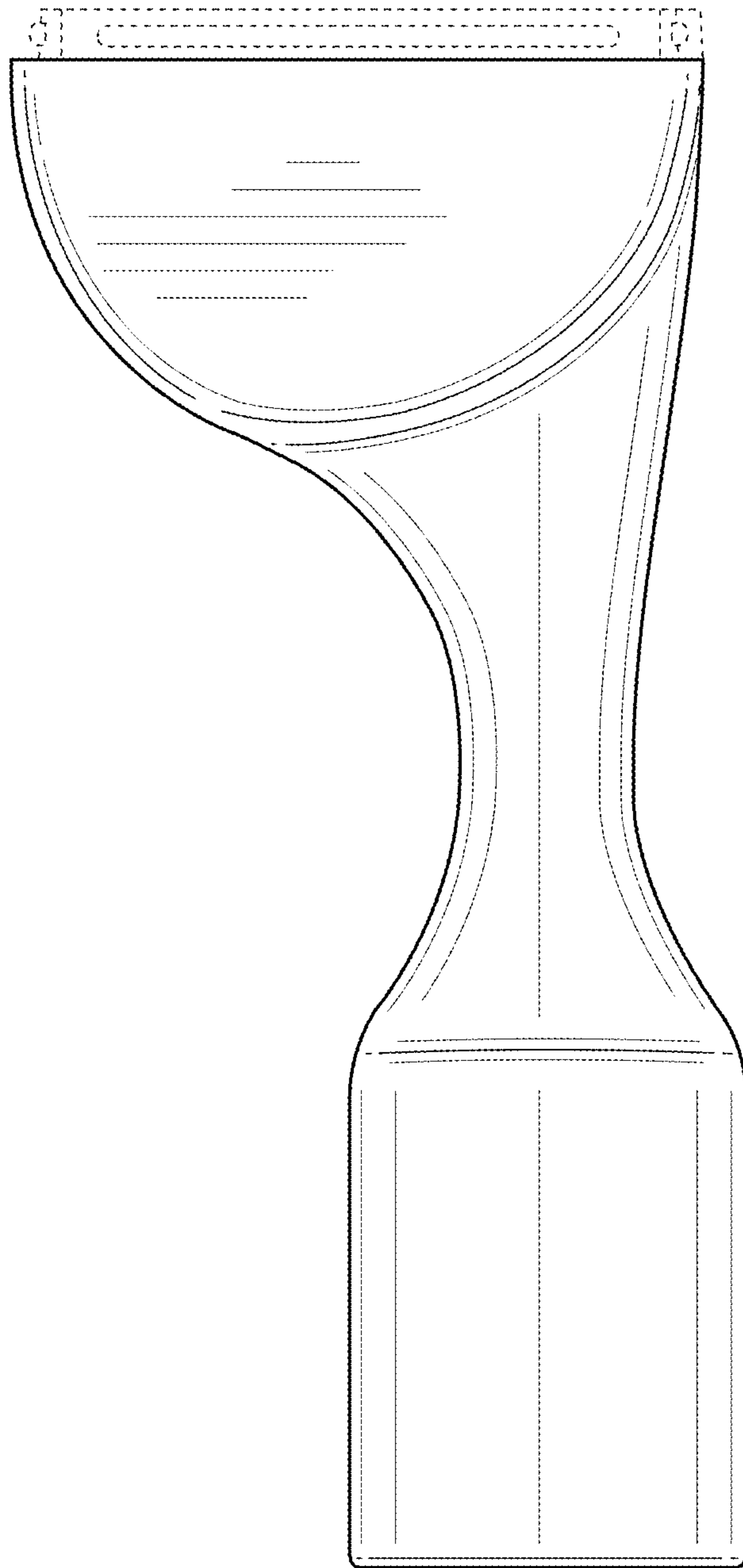


FIG. 10

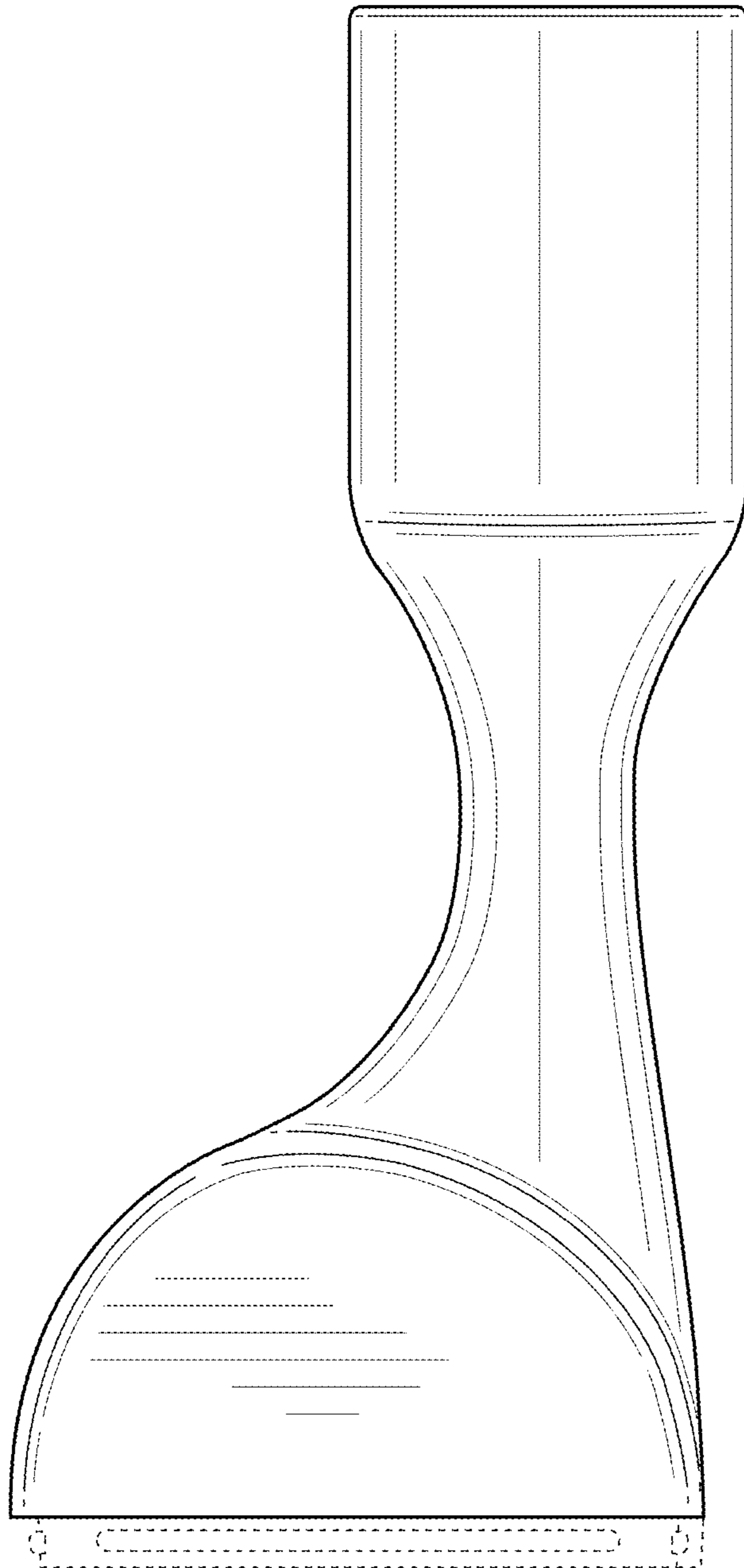


FIG. 11

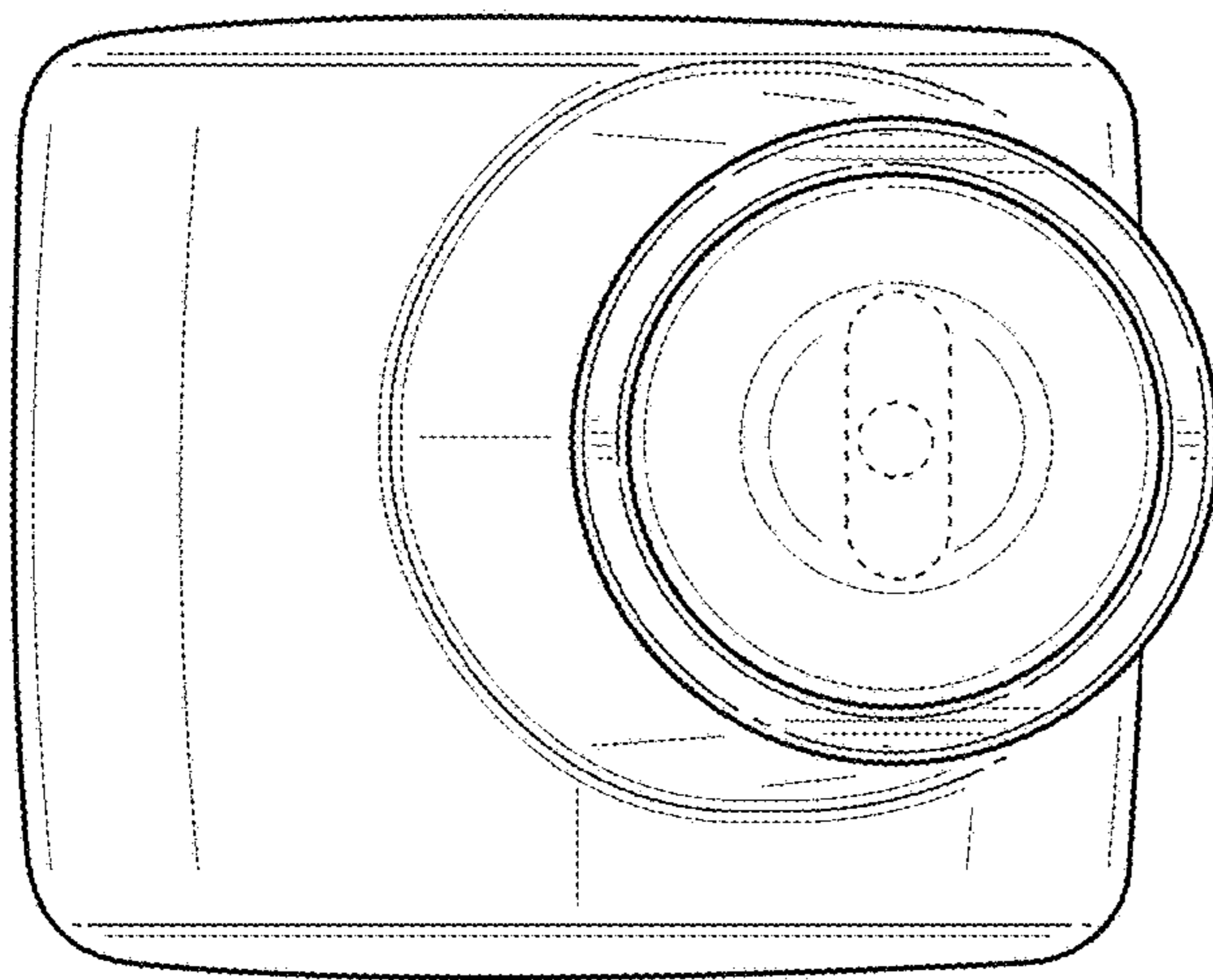


FIG. 12

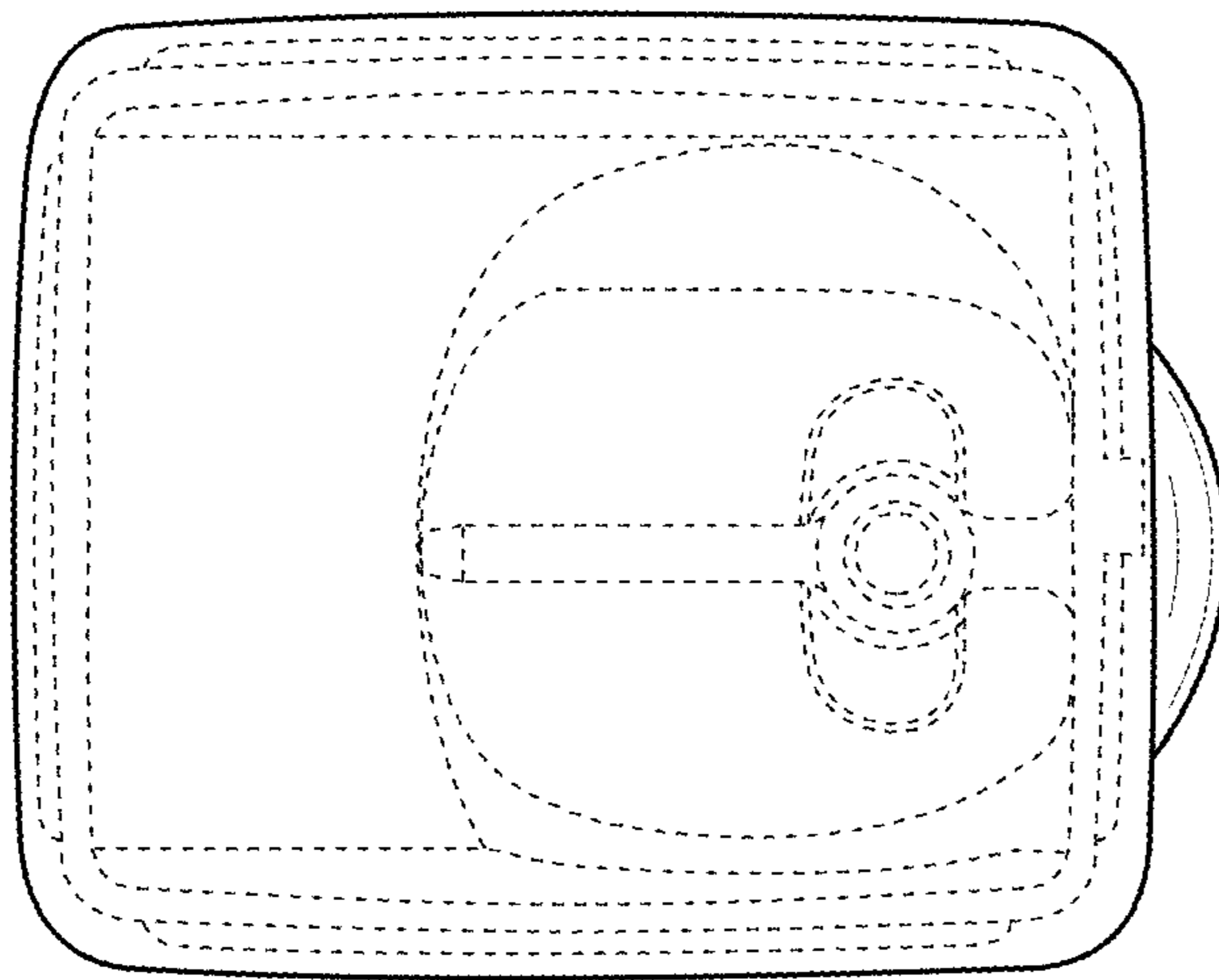


FIG. 13

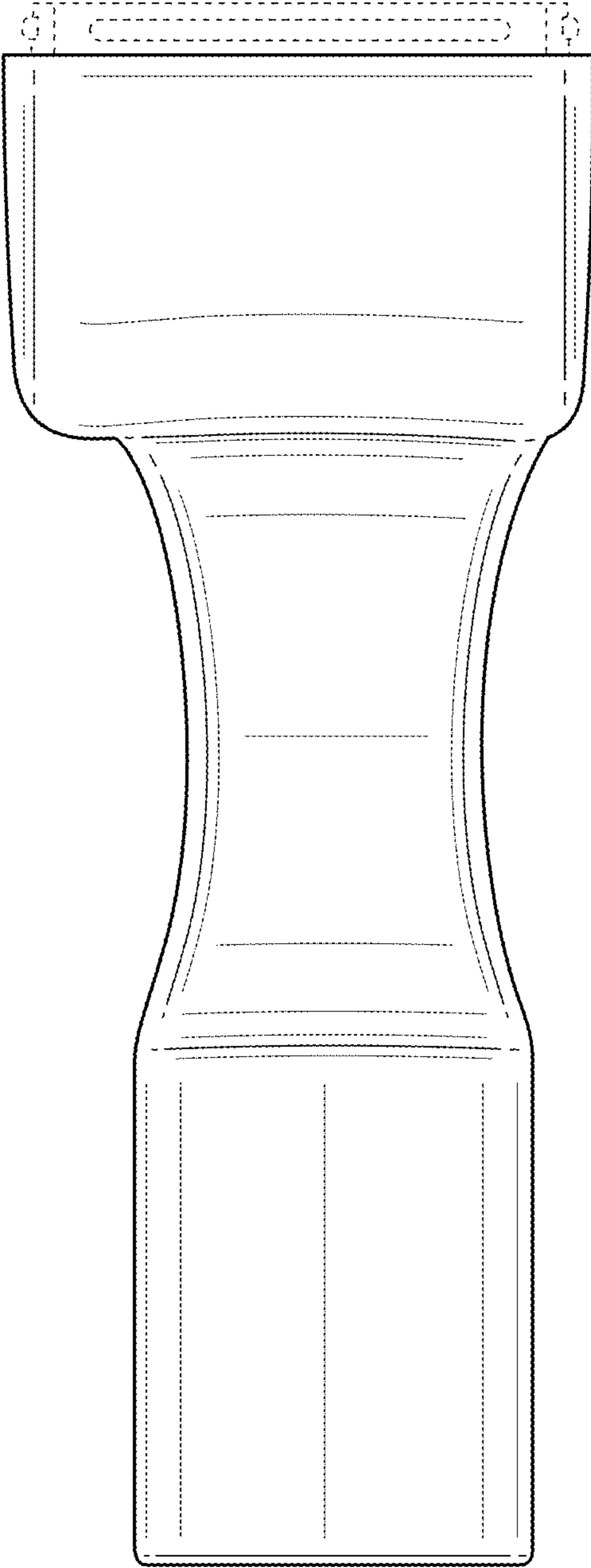


FIG. 14

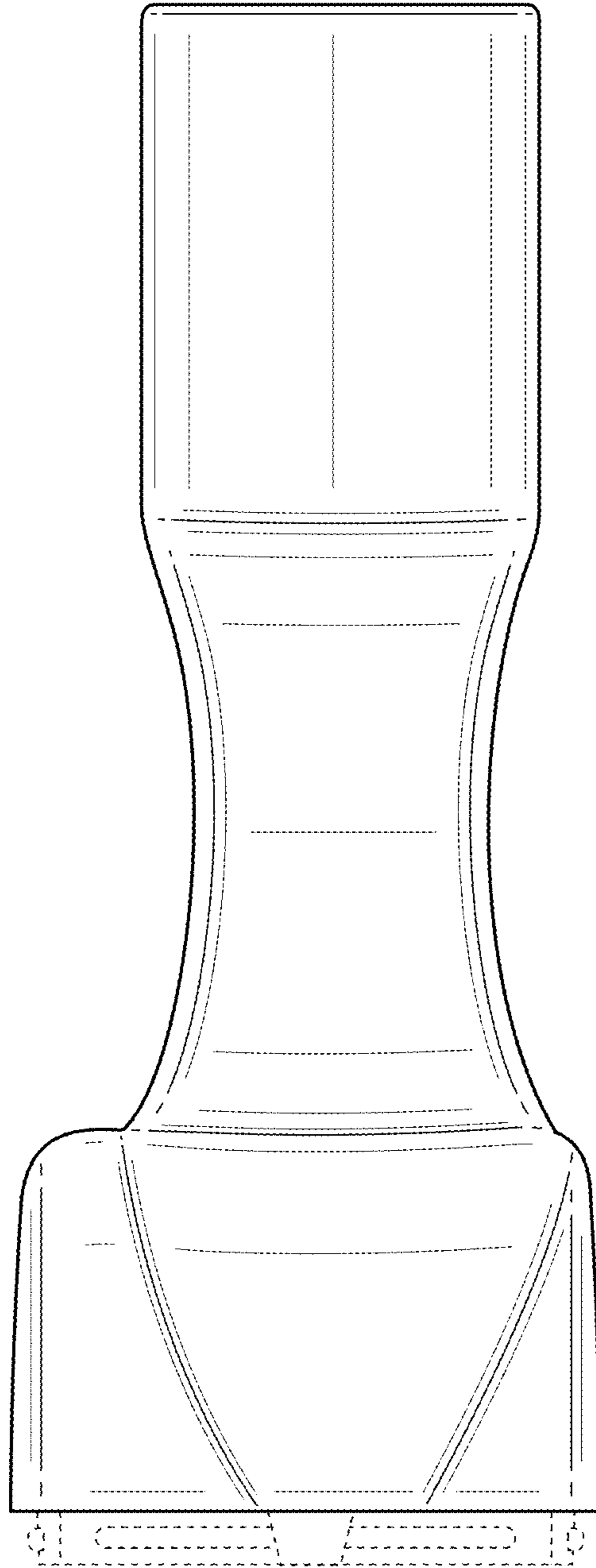


FIG. 15

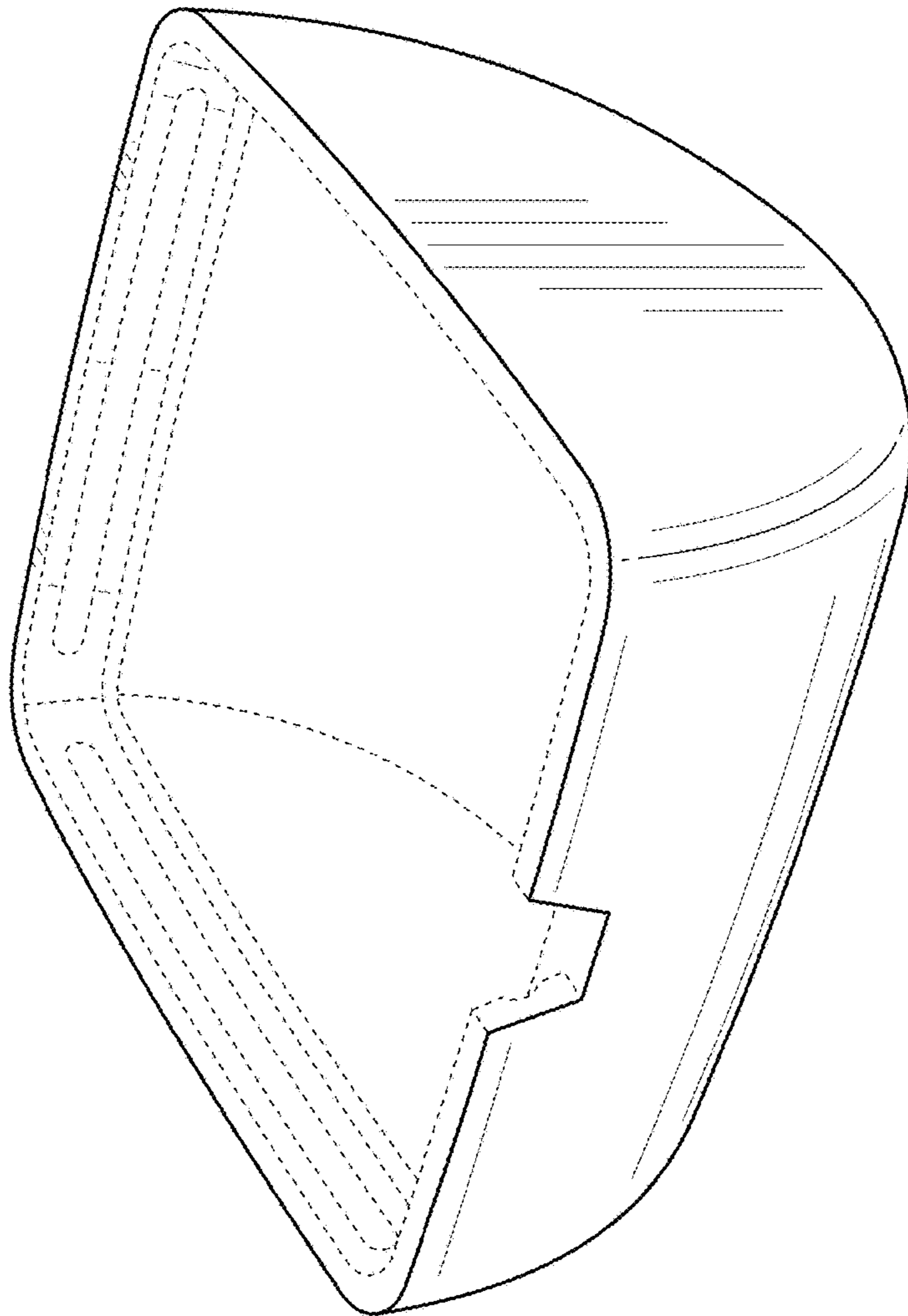


FIG. 16

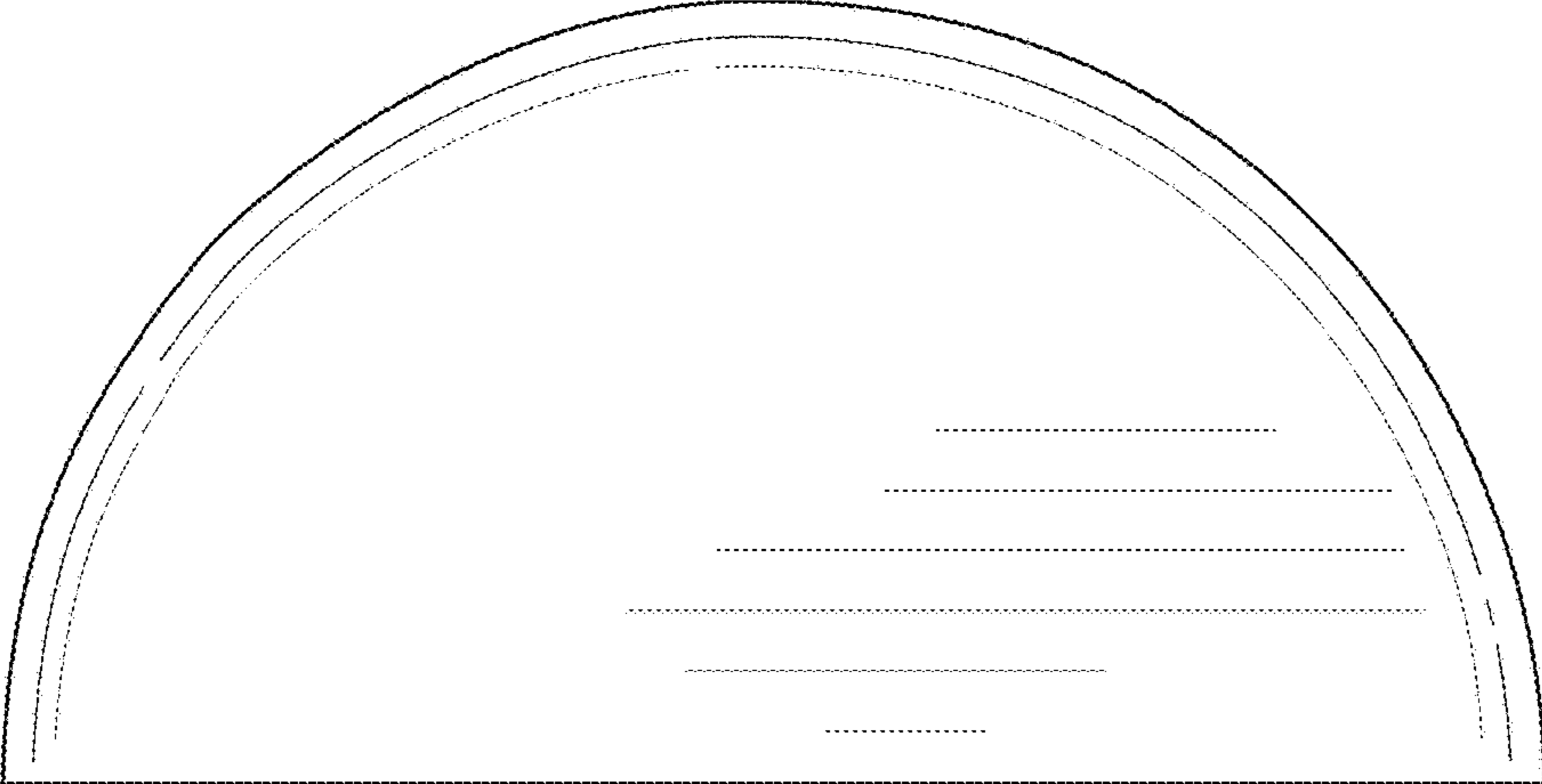


FIG. 17

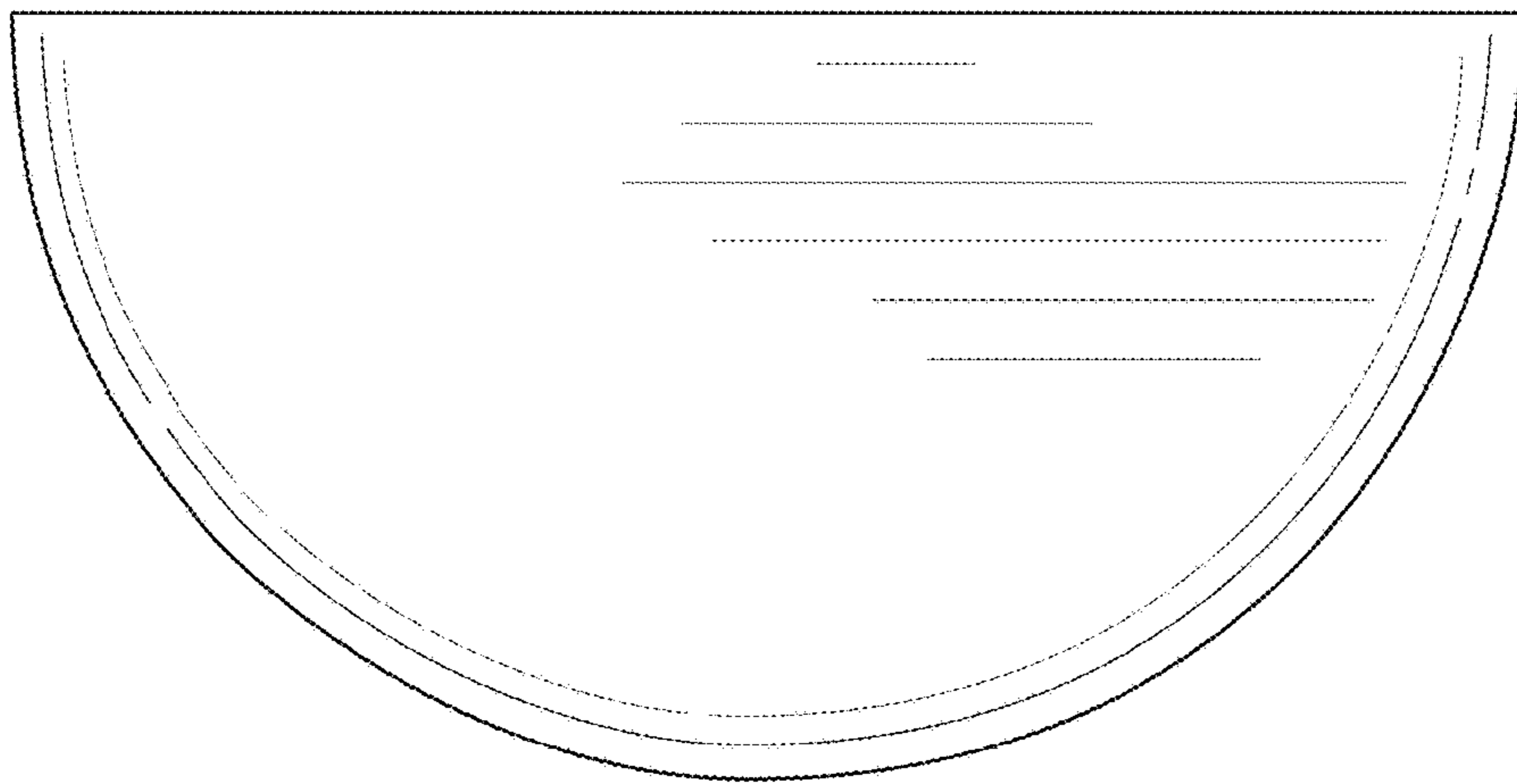


FIG. 18

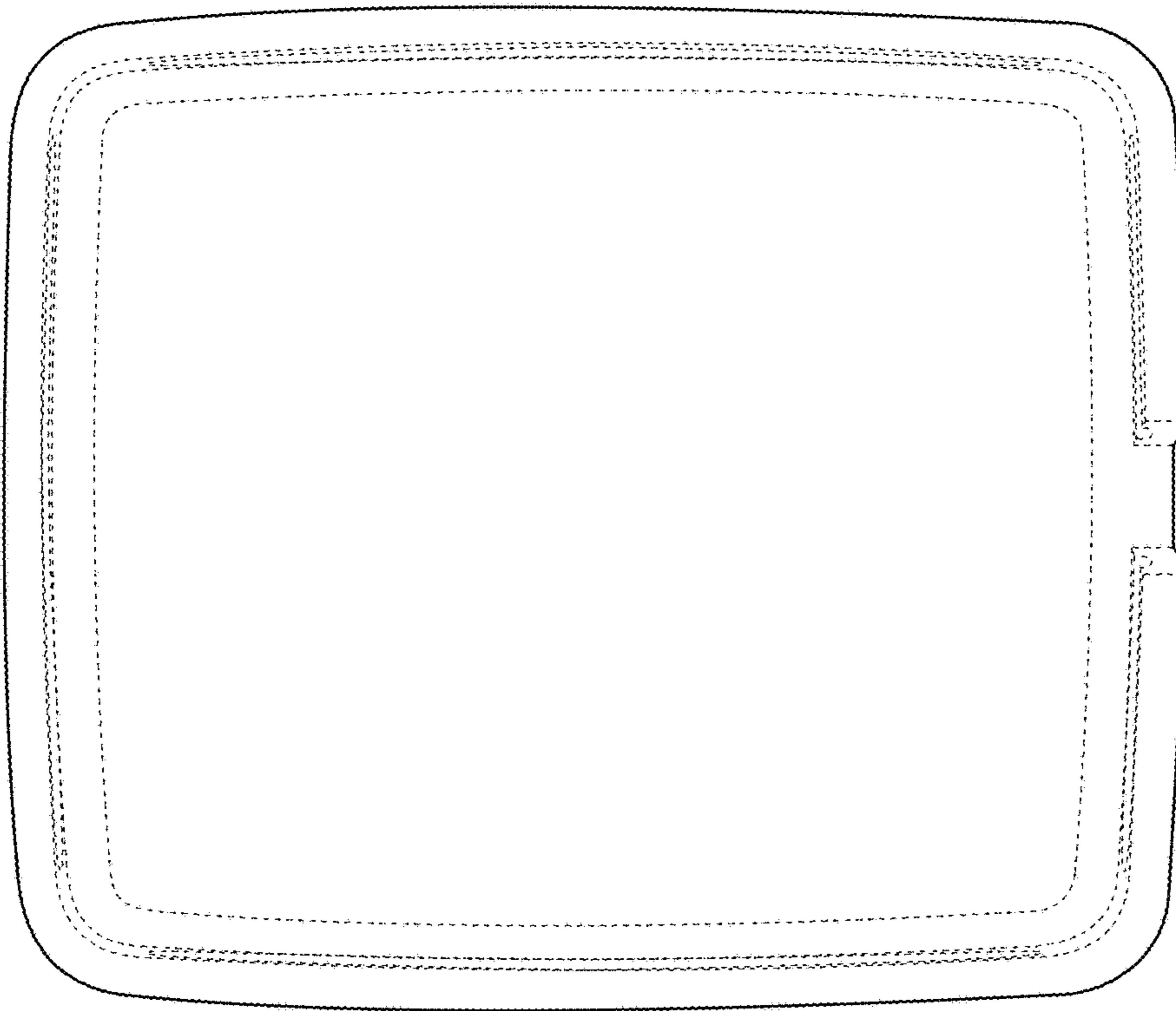


FIG. 19

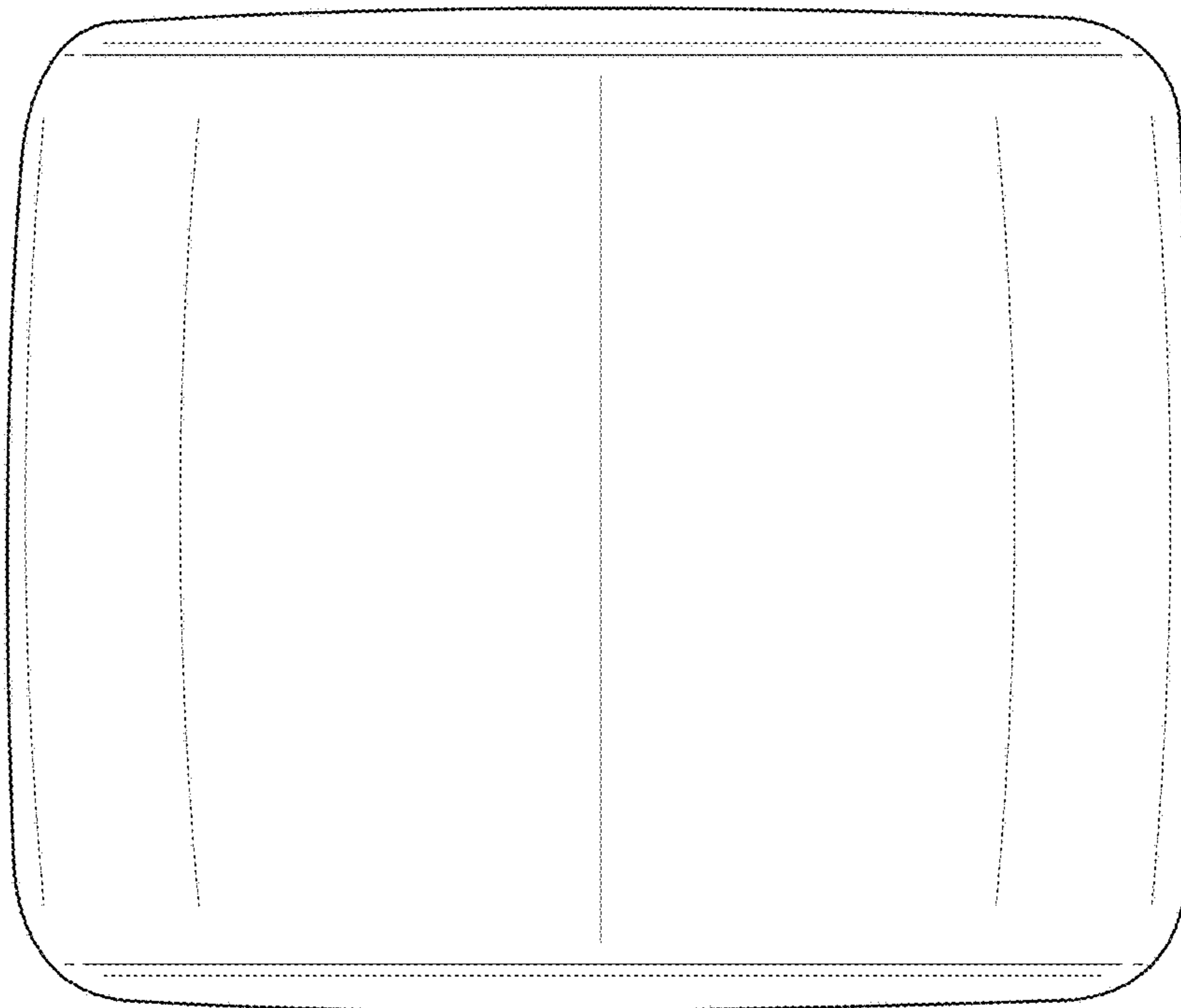


FIG. 20

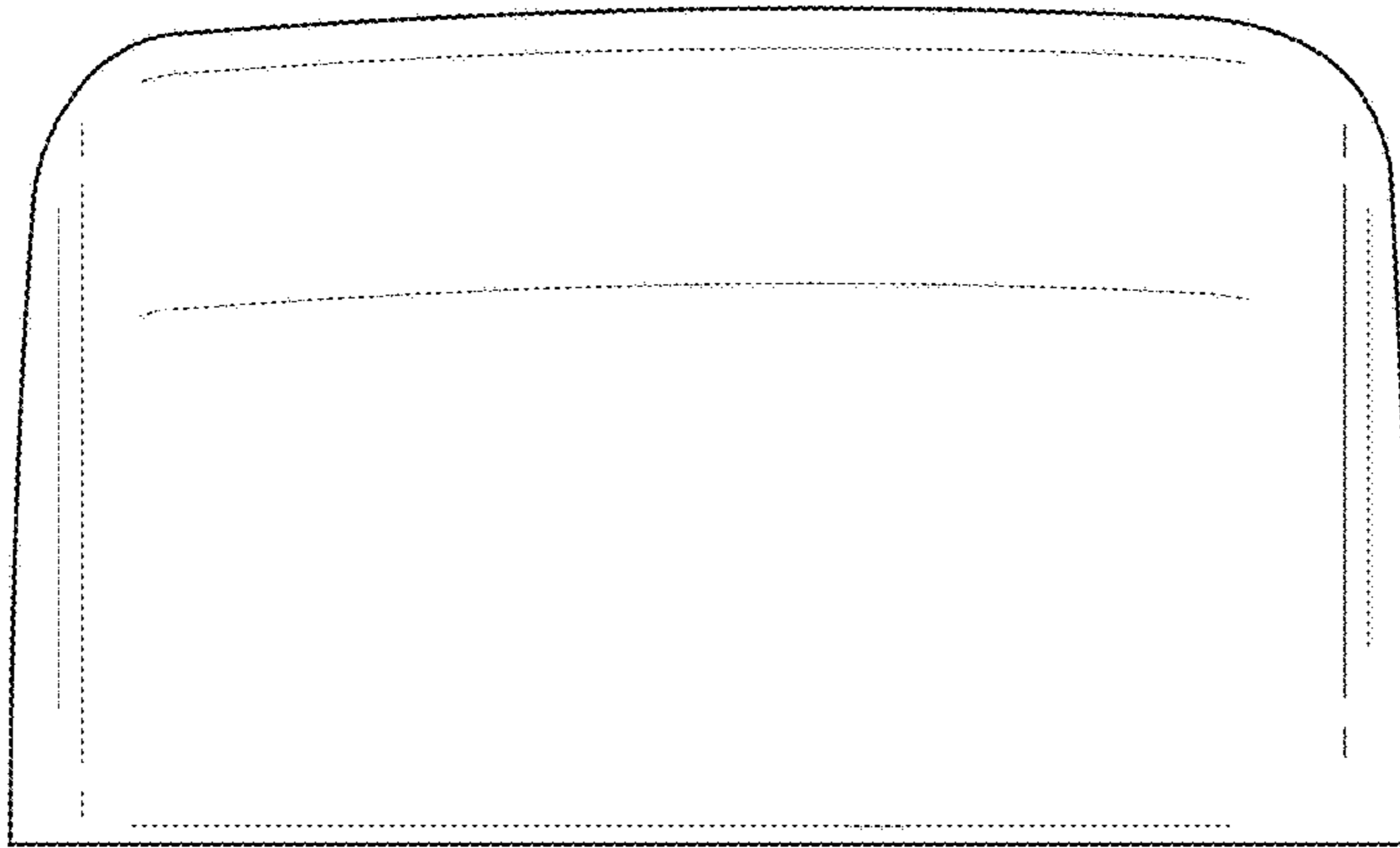


FIG. 21

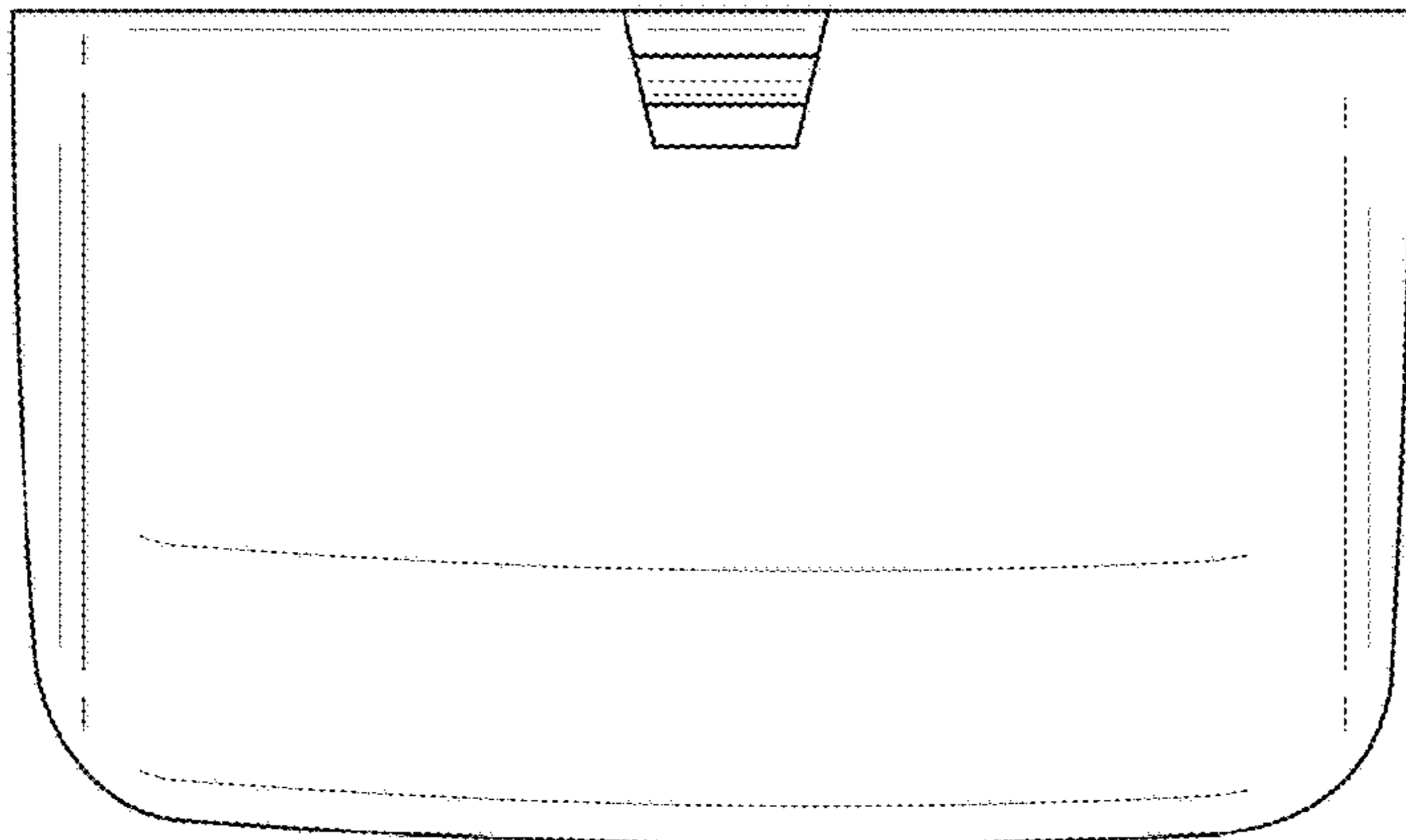


FIG. 22