



US00D818699S

(12) **United States Design Patent** (10) **Patent No.:** **US D818,699 S**
Lee (45) **Date of Patent:** **** May 29, 2018**

(54) **WALKER APPARATUS**
(71) Applicant: **Sang Kyoo Lee**, Busan (KR)
(72) Inventor: **Sang Kyoo Lee**, Busan (KR)
(**) Term: **15 Years**
(21) Appl. No.: **29/607,890**
(22) Filed: **Jun. 16, 2017**
(51) **LOC (11) Cl.** **12-12**
(52) **U.S. Cl.**
USPC **D3/9; D12/130**
(58) **Field of Classification Search**
USPC D12/129–133; D3/7, 9
CPC A61H 3/00; A61H 3/04; A61H
2003/001–2003/007; A61H 2003/043;
A61H 2003/046
See application file for complete search history.

D419,288 S * 1/2000 Hartfield D3/7
D528,780 S * 9/2006 Karasin D3/10
7,261,114 B2 * 8/2007 Karasin A61H 3/00
135/85
D590,591 S * 4/2009 Yates D12/130
D628,792 S * 12/2010 Ozuna D12/133
D671,308 S * 11/2012 Treanor D3/17
D688,863 S * 9/2013 White D3/7
D771,895 S * 11/2016 Hsu D34/24

* cited by examiner

Primary Examiner — Charles D Hanson
(74) *Attorney, Agent, or Firm* — John K. Park; Park Law Firm

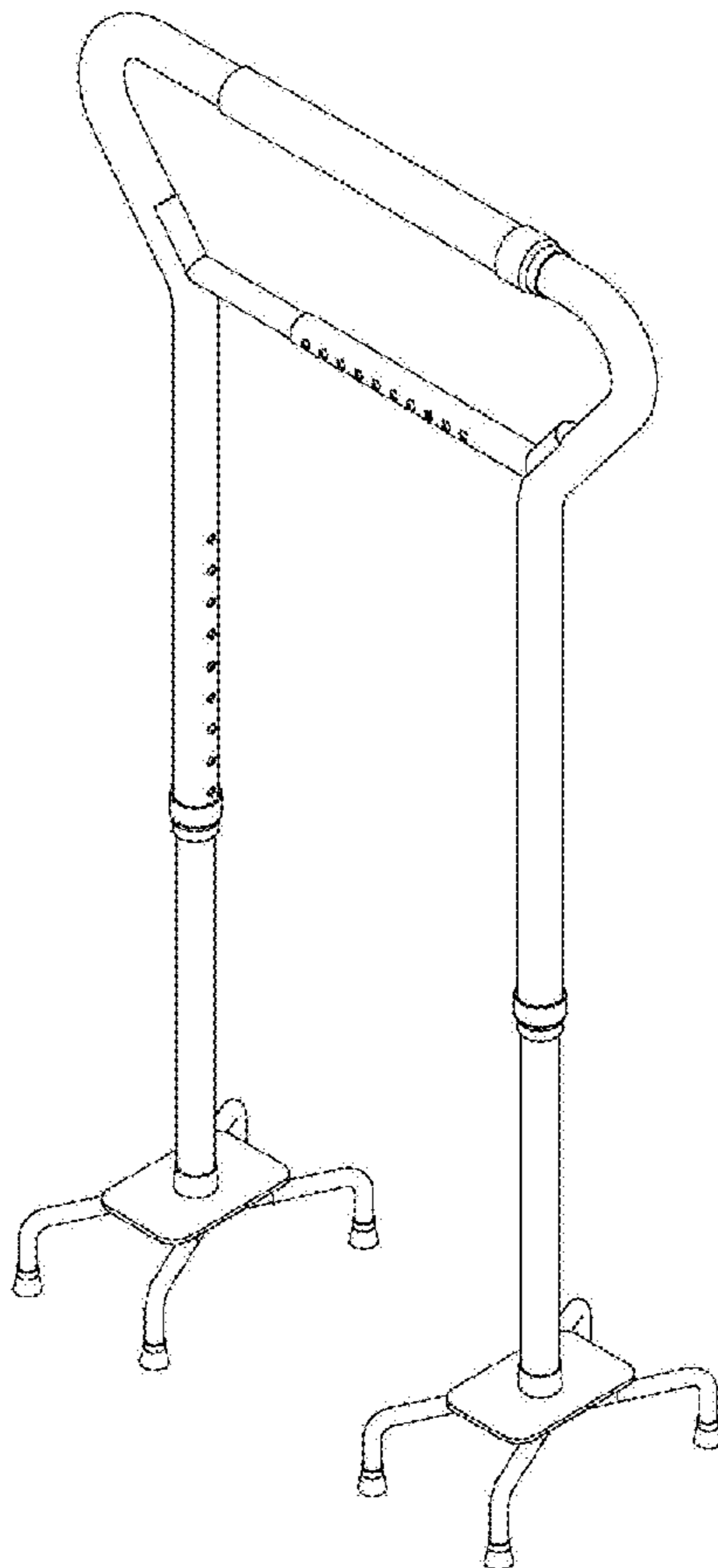
(57) **CLAIM**
The ornamental design for a walker apparatus, as shown and described.

DESCRIPTION

FIG. 1 is a perspective view of a walker apparatus showing my new design;
FIG. 2 is a front plan view thereof;
FIG. 3 is a rear plan view thereof;
FIG. 4 is a left side plan view thereof;
FIG. 5 is a right side plan view thereof;
FIG. 6 is a top plan view thereof; and,
FIG. 7 is a bottom plan view thereof.

1 Claim, 6 Drawing Sheets

(56) **References Cited**
U.S. PATENT DOCUMENTS
D229,728 S * 12/1973 Thomas D3/9
D230,531 S * 2/1974 Thomas D3/9
D272,677 S * 2/1984 Bove D3/9
D290,186 S * 6/1987 Meunchen D3/9



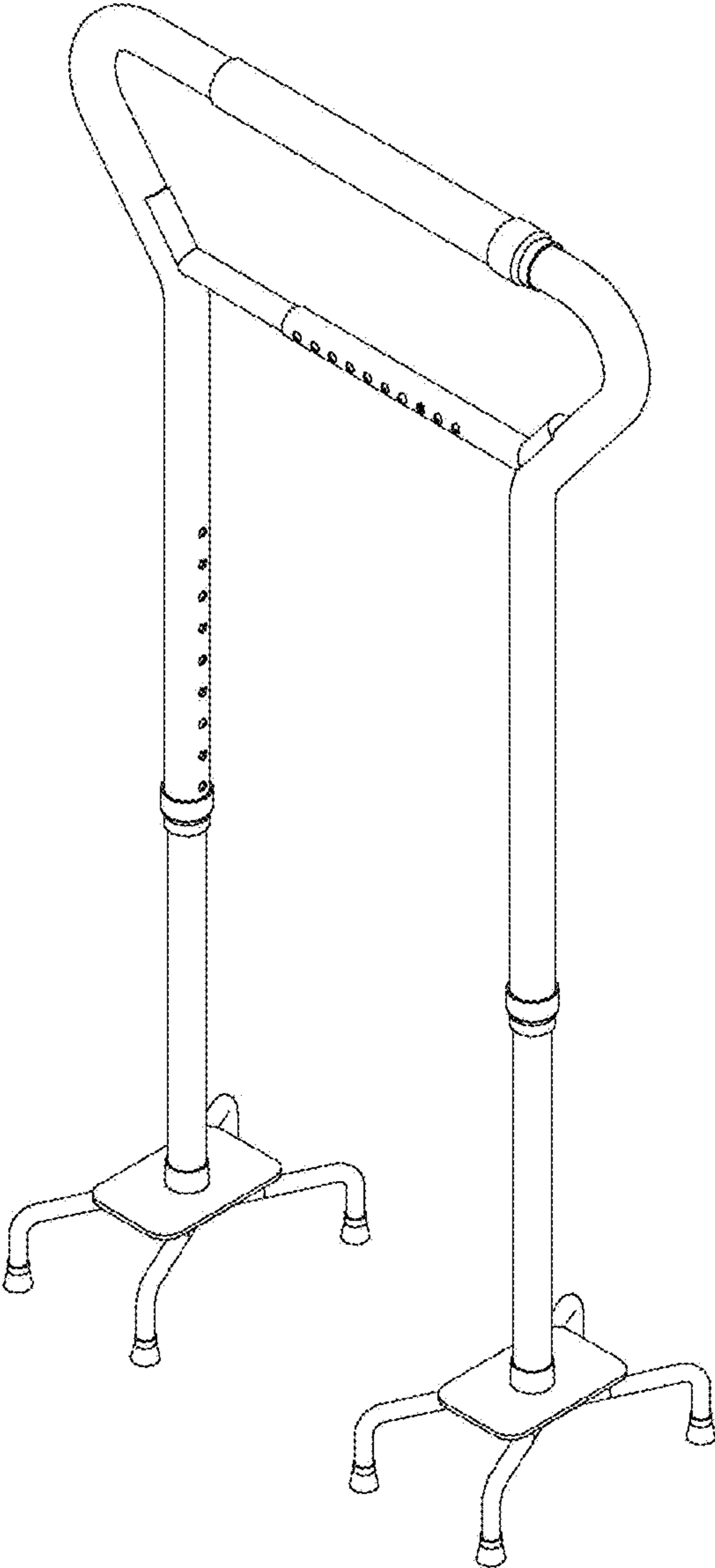


Fig. 1

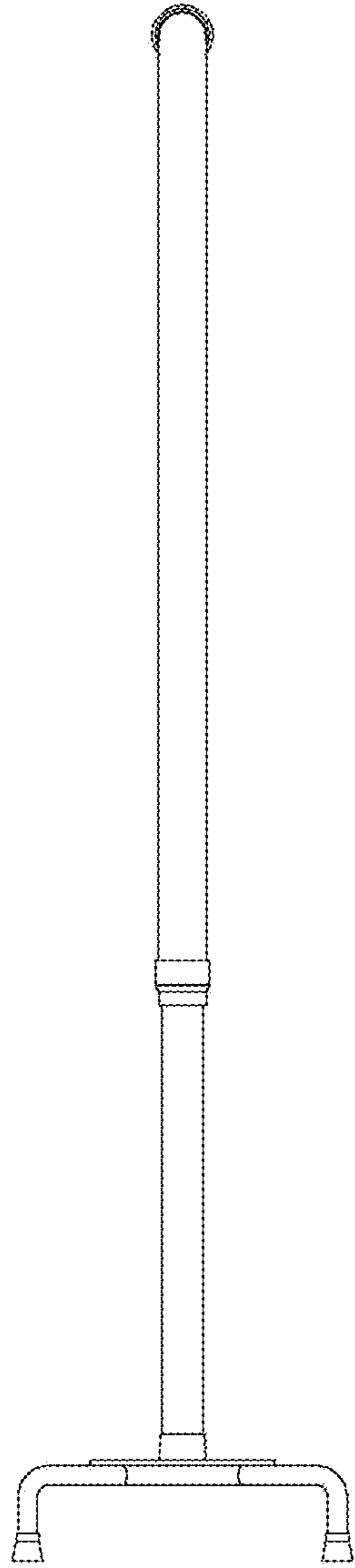


Fig. 2

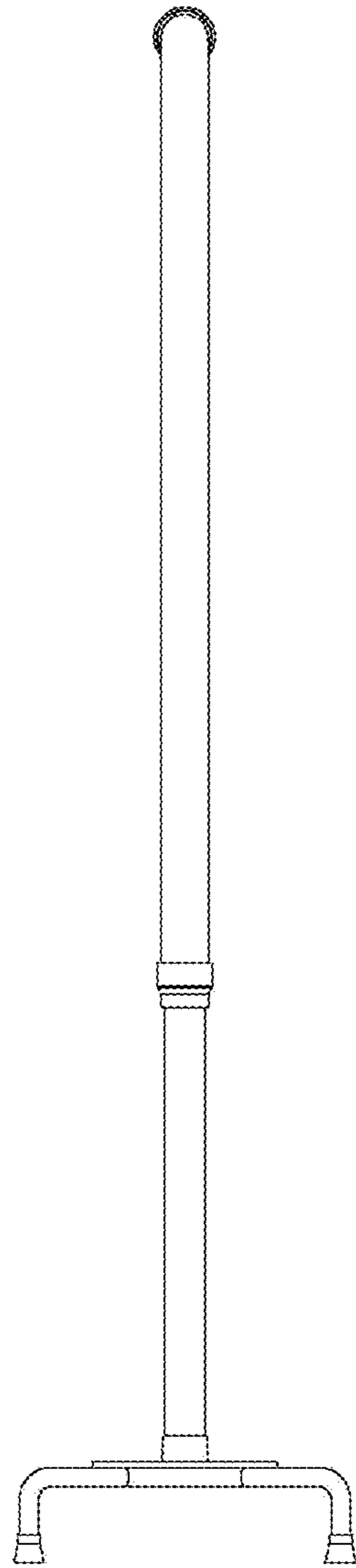


Fig. 3

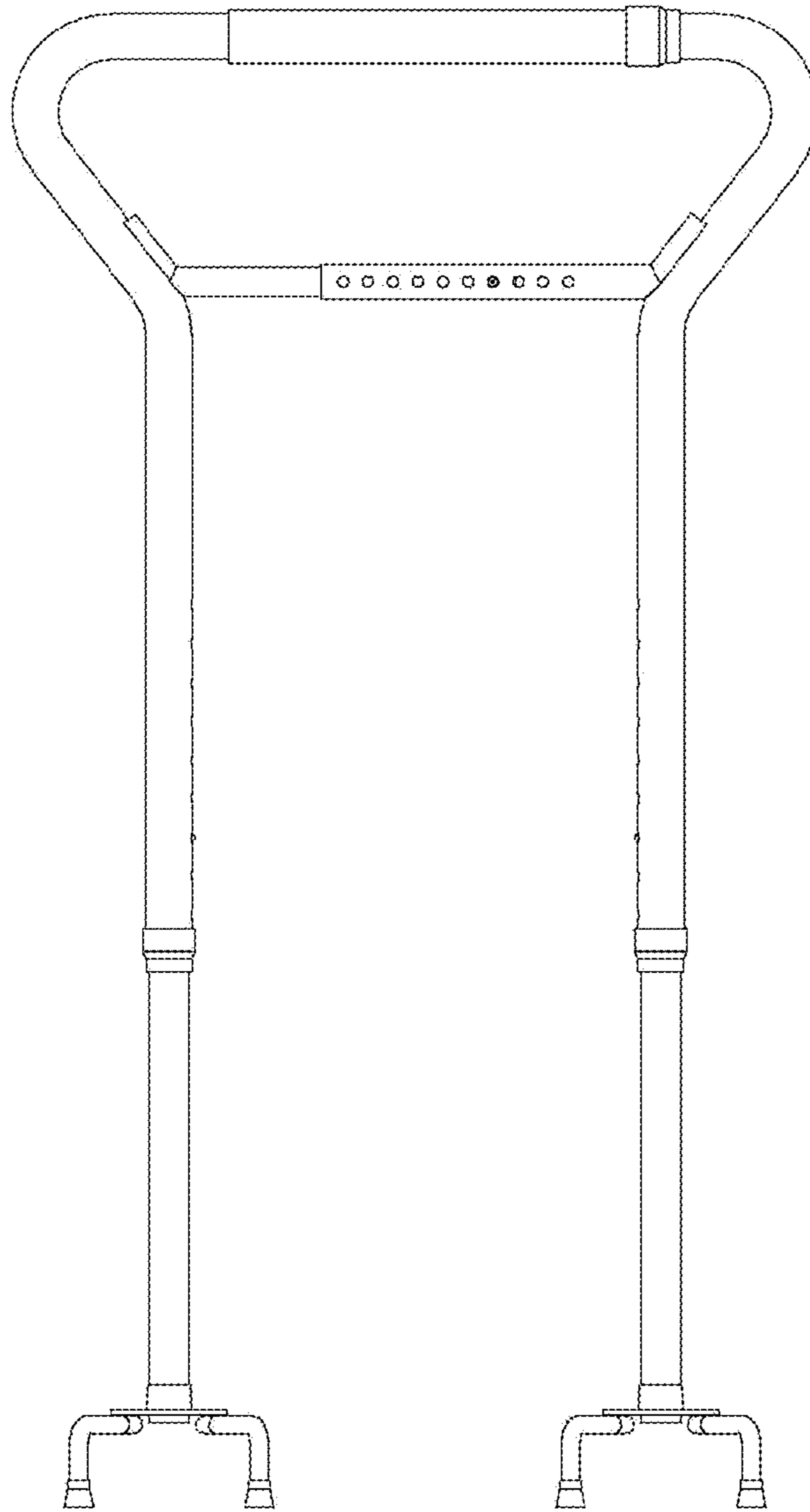


Fig. 4

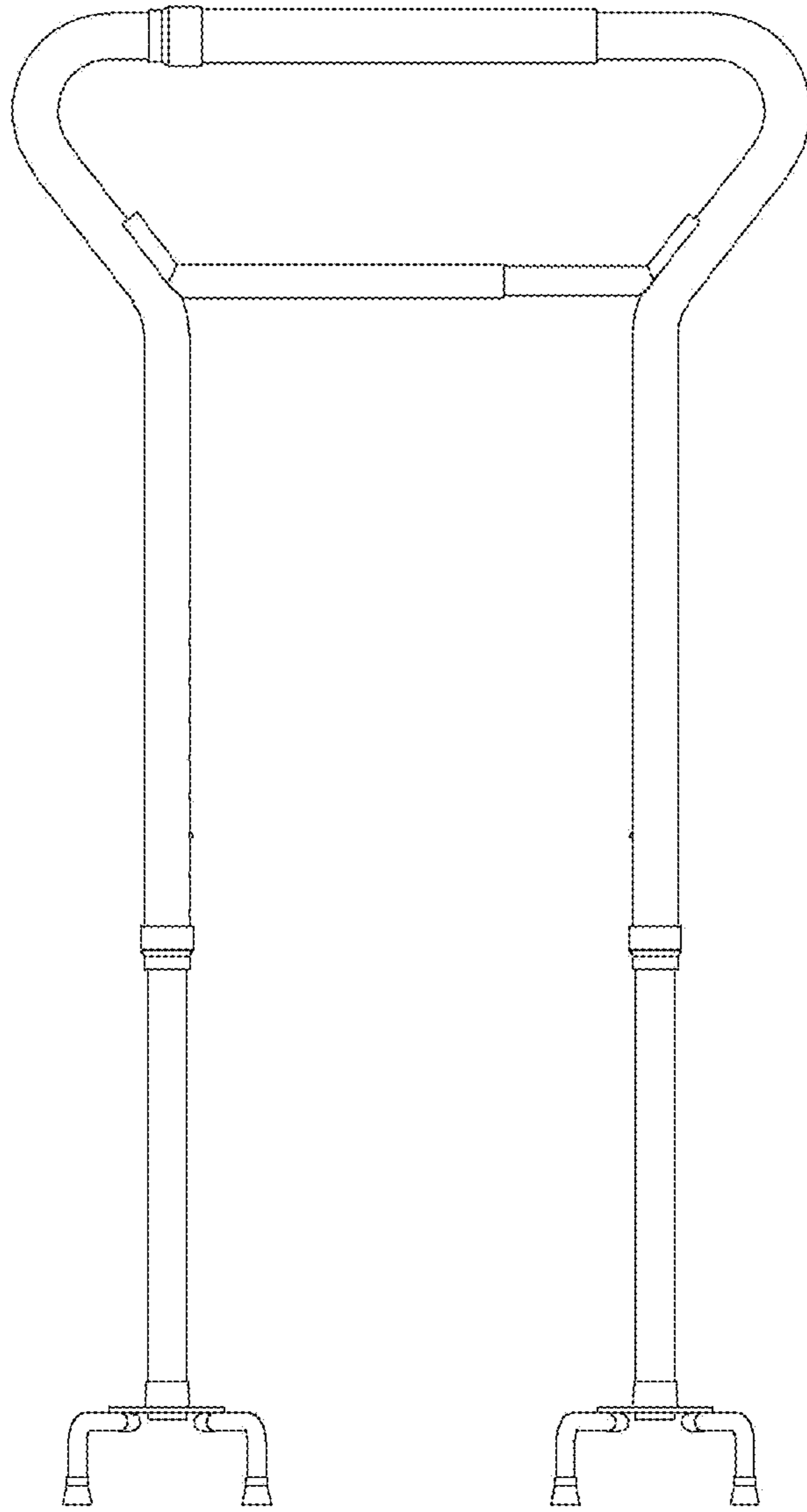


Fig. 5

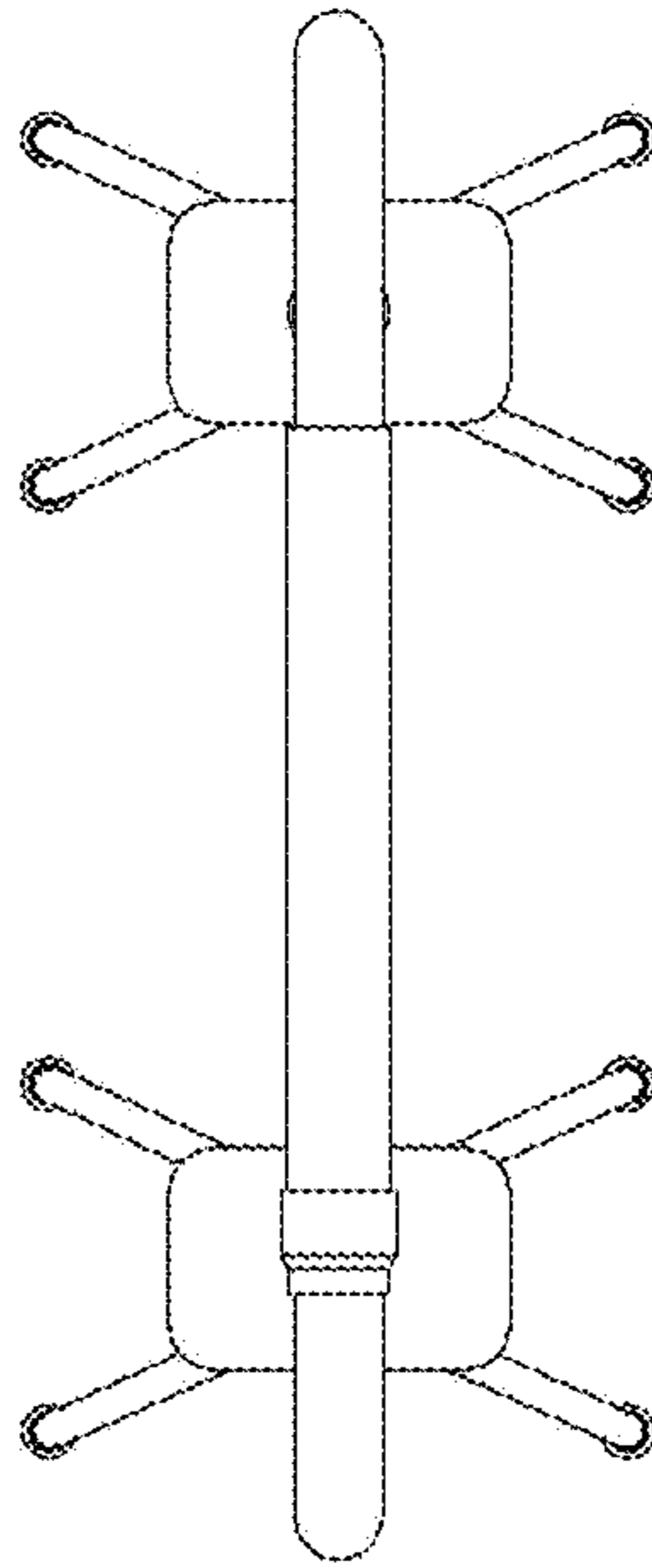


Fig. 6

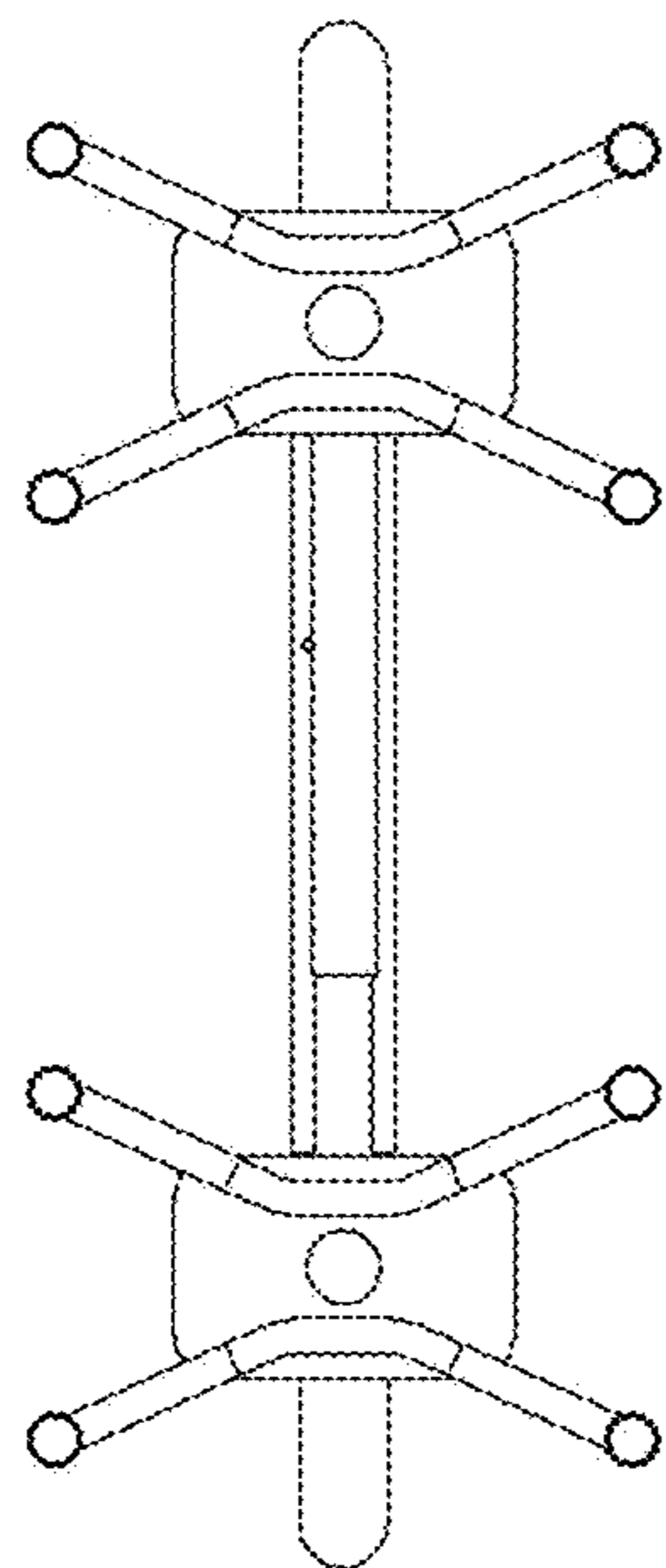


Fig. 7