



US00D818697S

(12) **United States Design Patent** (10) **Patent No.:** **US D818,697 S**
Ma (45) **Date of Patent:** **** May 29, 2018**

(54) **UMBRELLA**
(71) Applicant: **Zhun-An Ma**, Arcadia, CA (US)
(72) Inventor: **Zhun-An Ma**, Arcadia, CA (US)
(**) Term: **15 Years**

D162,678 S 3/1951 Muller-Munk
D167,619 S 9/1952 Coran
2,745,421 A 5/1956 Russell
2,762,383 A 9/1956 Wittman
(Continued)

(21) Appl. No.: **29/577,686**
(22) Filed: **Sep. 14, 2016**

FOREIGN PATENT DOCUMENTS

JP 2000-139533 5/2000
JP 3144314 7/2008
JP 2009-045359 3/2009

Primary Examiner — John Windmuller
Assistant Examiner — Steven J Czyz

(74) *Attorney, Agent, or Firm* — Knobbe Martens Olson & Bear LLP

Related U.S. Application Data

(63) Continuation of application No. 15/194,346, filed on Jun. 27, 2016, which is a continuation of application No. 29/425,490, filed on Jun. 22, 2012, now Pat. No. Des. 759,955.
(51) **LOC (11) Cl.** **03-03**
(52) **U.S. Cl.**
USPC **D3/5**
(58) **Field of Classification Search**
USPC D3/5, 6, 10, 13, 14, 16
CPC ... A45B 11/00; A45B 2011/005; A45B 25/00;
A45B 25/02; A45B 19/08; A45B 19/10
See application file for complete search history.

(57) **CLAIM**

The ornamental design for an umbrella, as shown and described.

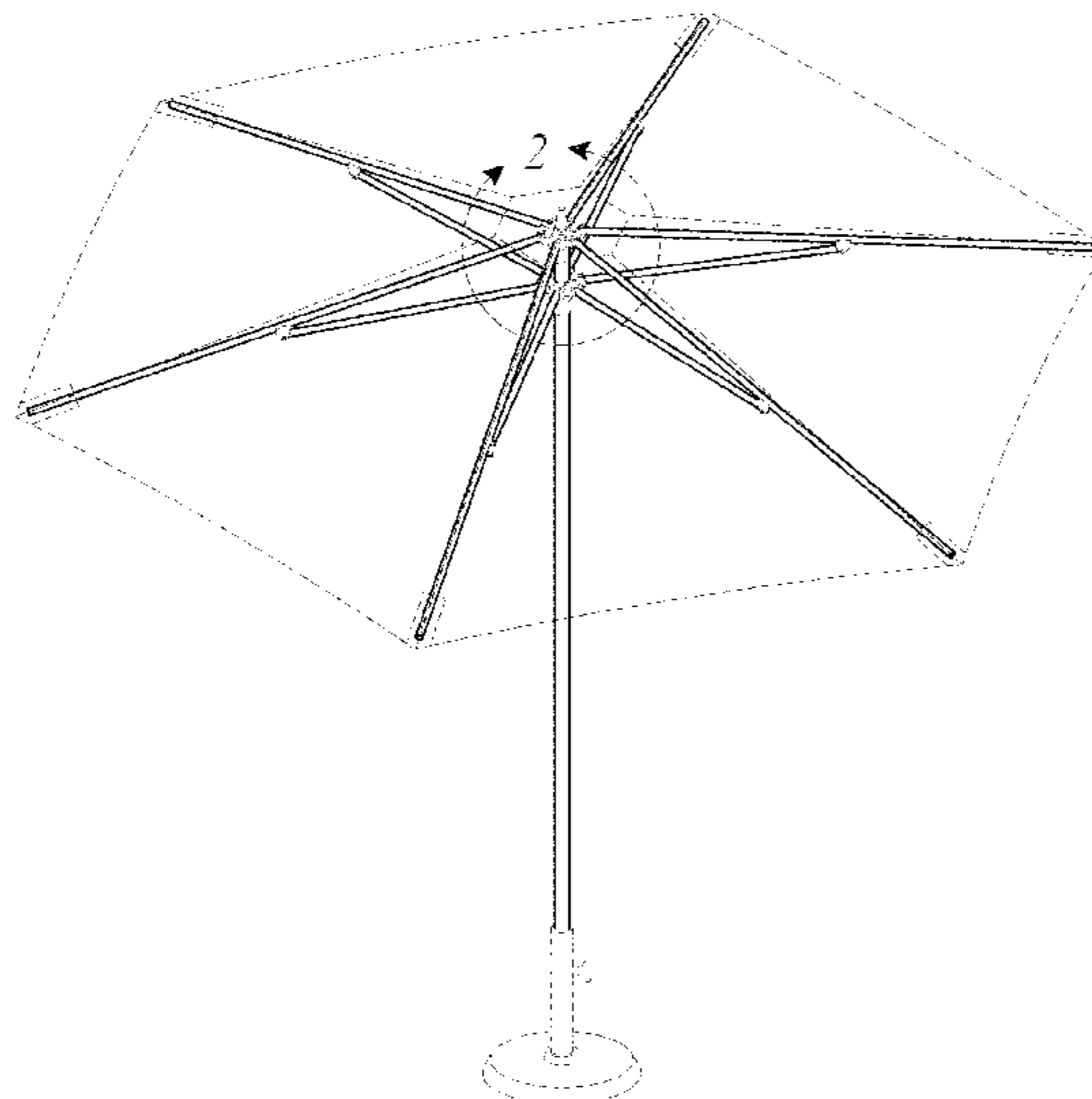
DESCRIPTION

FIG. 1 is a perspective view of an umbrella showing a new design;
FIG. 2 is a detail view of the new umbrella design of FIG. 1 taken at 2 shown in FIG. 1;
FIG. 3 is a front or rear view of the design of FIG. 1;
FIG. 4 is a detail view of the new umbrella design of FIG. 1 taken at 4 shown in FIG. 3;
FIG. 5 is a right or left side view of the design of FIG. 1;
FIG. 6 is a detail view of the new umbrella design of FIG. 1 taken at 6 shown in FIG. 5;
FIG. 7 is a top view of the design of FIG. 1;
FIG. 8 is a detail view of the new umbrella design of FIG. 1 taken at 8 shown in FIG. 7;
FIG. 9 is a bottom view of the design of FIG. 1; and,
FIG. 10 is a detail view of the new umbrella design of FIG. 1 taken at 10 shown in FIG. 9.
The broken lines depict portions of the article that form no part of the claimed design.

(56) **References Cited**
U.S. PATENT DOCUMENTS

878,270 A 2/1908 Blake et al.
956,657 A 5/1910 Wetteroth
957,528 A 5/1910 Wetteroth
D45,227 S 2/1914 Glauber
1,136,887 A 4/1915 Penn
1,235,296 A 7/1917 Dillingham
1,243,594 A 10/1917 Dillingham
1,255,627 A 2/1918 Morrow et al.
1,268,354 A 6/1918 Howard
1,801,913 A 4/1931 Frederick
D90,772 S 9/1933 Kasch
D127,735 S 6/1941 Dreyfuss
2,447,972 A 8/1948 Weinert
2,475,406 A 7/1949 Russell

1 Claim, 10 Drawing Sheets



(56)

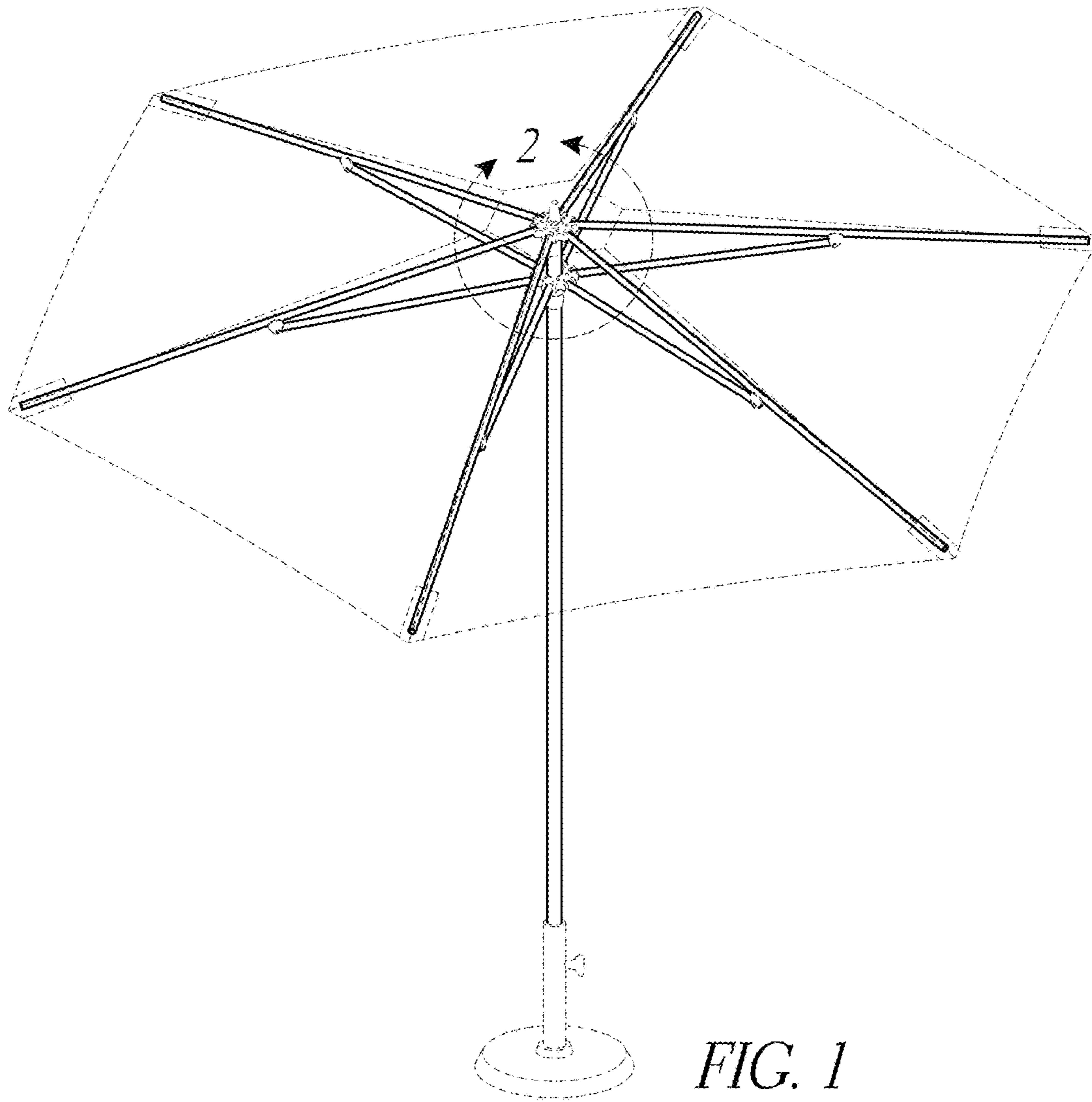
References Cited

U.S. PATENT DOCUMENTS

D631,243 S 1/2011 Forthuber et al.
 7,861,734 B2 1/2011 Ma
 7,891,367 B2 2/2011 Ma
 7,900,643 B2* 3/2011 Ma A45B 19/04
 135/28
 7,913,708 B2 3/2011 Yung
 7,913,709 B2* 3/2011 Brebner A45B 19/06
 135/31
 D637,388 S * 5/2011 You D3/10
 D640,464 S 6/2011 Forthuber et al.
 7,980,262 B1* 7/2011 You A45B 25/02
 135/32
 8,061,375 B2* 11/2011 Ma A45B 25/02
 135/28
 D650,984 S * 12/2011 Pineda D3/10
 8,082,935 B2 12/2011 Ma
 8,096,310 B2* 1/2012 Clarke A45B 25/02
 135/16
 D664,760 S 8/2012 Elder
 8,443,819 B2* 5/2013 Beaulieu A45B 25/02
 135/29
 D731,166 S * 6/2015 Ma D3/5
 D759,955 S * 6/2016 Ma D3/10
 D759,956 S * 6/2016 McQuaid D3/10
 2002/0083969 A1 7/2002 Tung
 2002/0139405 A1* 10/2002 Lee A45B 25/06
 135/28
 2003/0010367 A1* 1/2003 Ko A45B 25/02
 135/32
 2003/0015230 A1 1/2003 Glatz
 2003/0062073 A1 4/2003 Tung
 2004/0031513 A1* 2/2004 Bunch A45B 3/04
 135/16

2004/0055627 A1 3/2004 Moga
 2004/0055628 A1 3/2004 Yu
 2004/0069333 A1 4/2004 Ma
 2004/0154525 A1 8/2004 Wirth et al.
 2004/0182429 A1* 9/2004 Chen A45B 17/00
 135/15.1
 2004/0206382 A1* 10/2004 Clarke A45B 25/06
 135/28
 2004/0206383 A1* 10/2004 Clarke A45B 25/02
 135/41
 2005/0098200 A1 5/2005 Su
 2006/0005867 A1 1/2006 Chang
 2006/0151019 A1* 7/2006 Lo A45B 25/165
 135/20.3
 2008/0041433 A1* 2/2008 Caldwell A45B 11/00
 135/97
 2008/0202570 A1 8/2008 Clarke
 2010/0139724 A1* 6/2010 Lai A45B 25/10
 135/29
 2010/0139725 A1* 6/2010 Lai A45B 25/10
 135/29
 2011/0061694 A1* 3/2011 Vanderminden,
 Sr. A45B 19/00
 135/20.3
 2011/0132418 A1 6/2011 Ma
 2011/0209732 A1 9/2011 Ma
 2011/0214705 A1 9/2011 Ma
 2011/0277800 A1* 11/2011 Tung A45B 19/04
 135/20.3
 2014/0109942 A1* 4/2014 Ma A45B 25/08
 135/28
 2014/0305476 A1* 10/2014 Ma A45B 25/02
 135/30
 2015/0237976 A1* 8/2015 Chow F21V 33/0004
 135/16

* cited by examiner



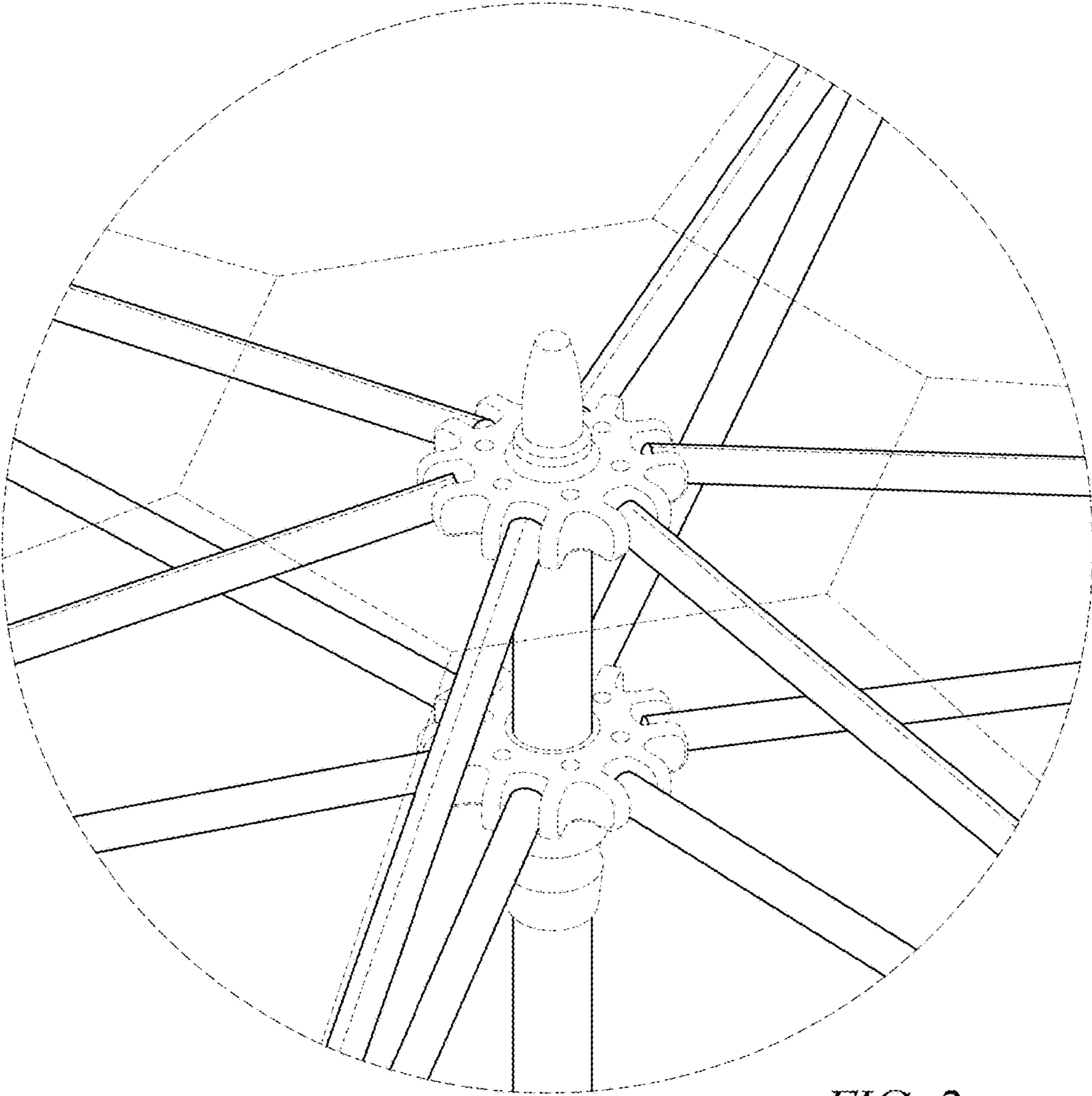


FIG. 2

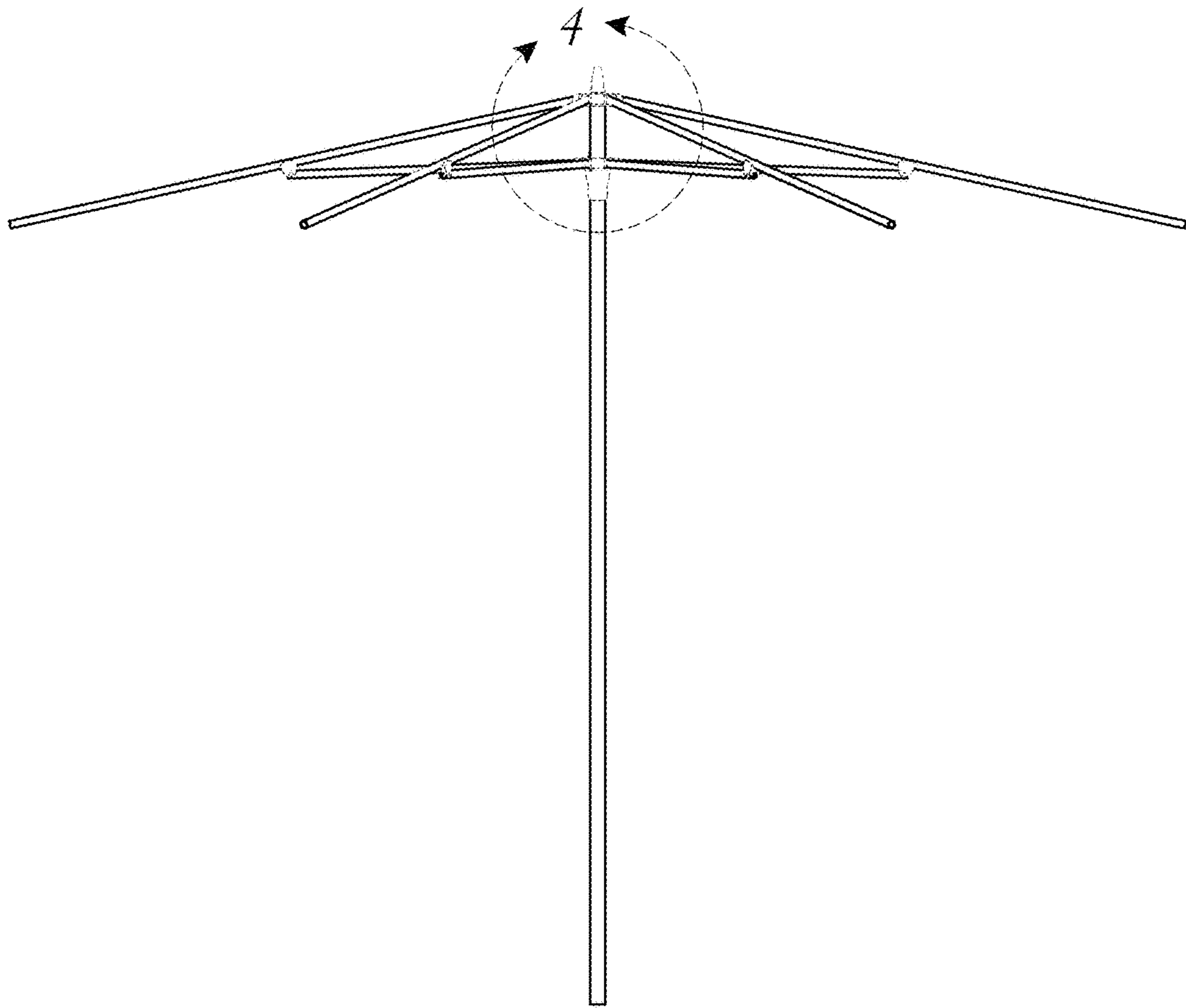


FIG. 3

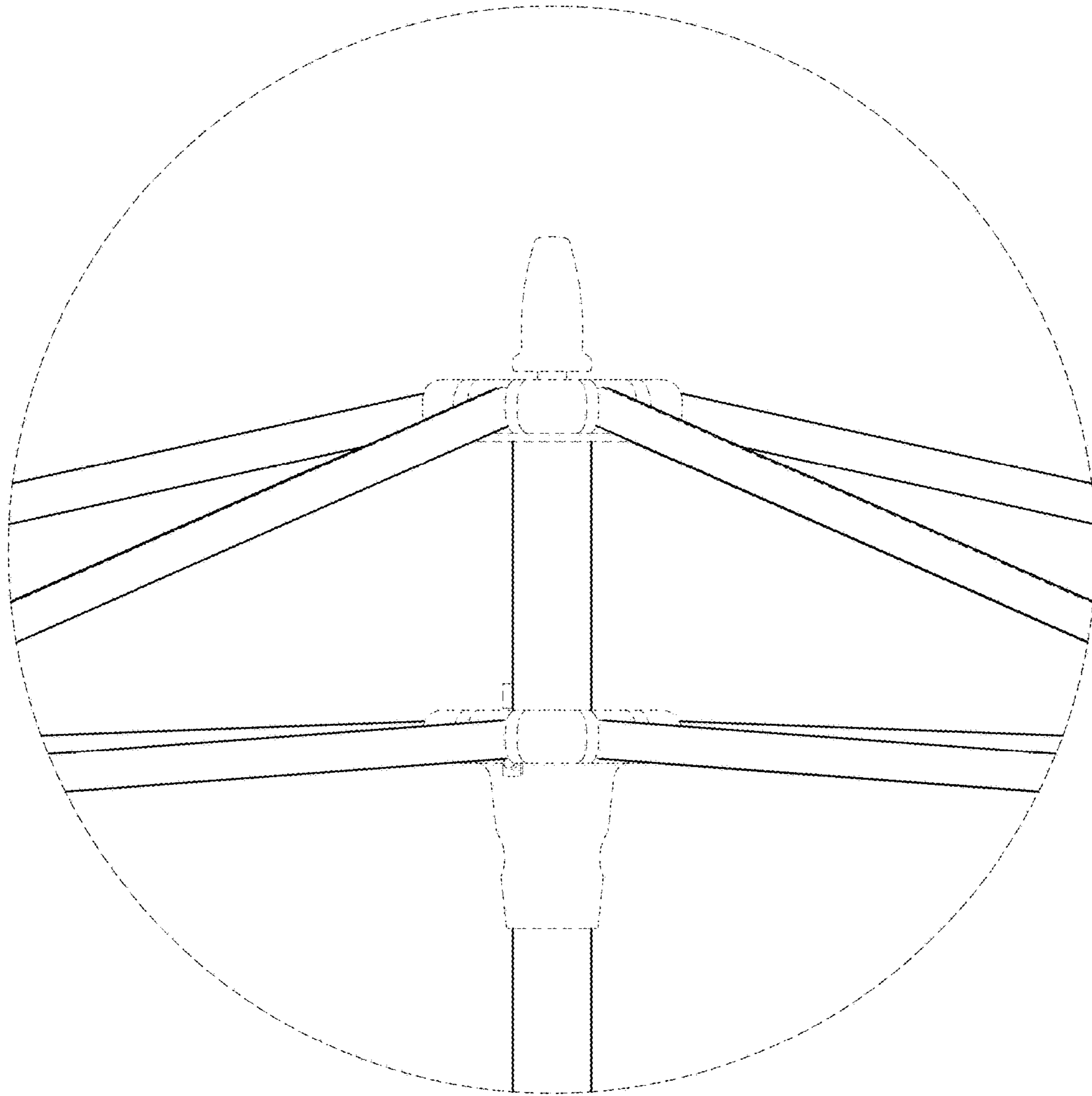


FIG. 4

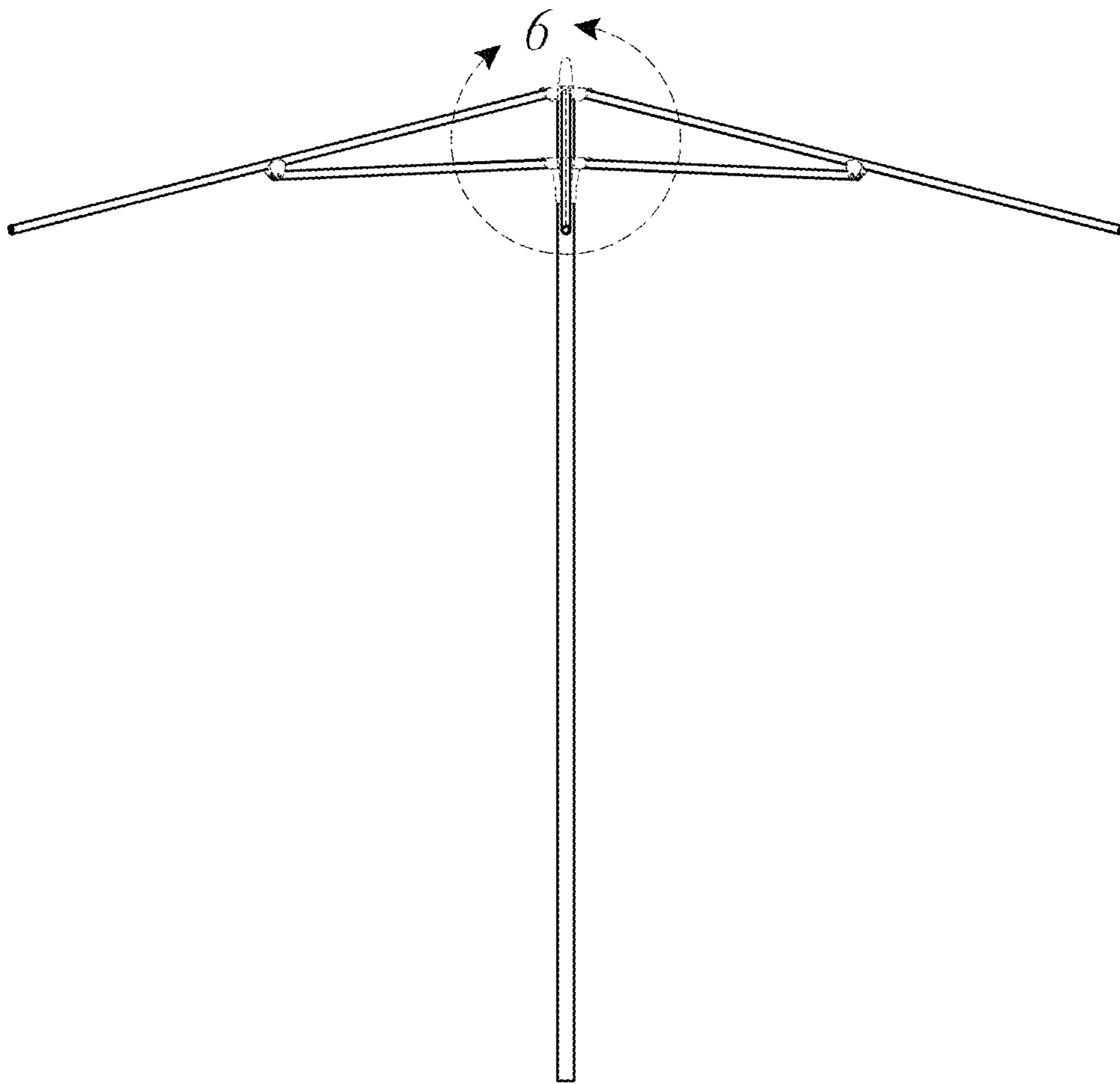


FIG. 5

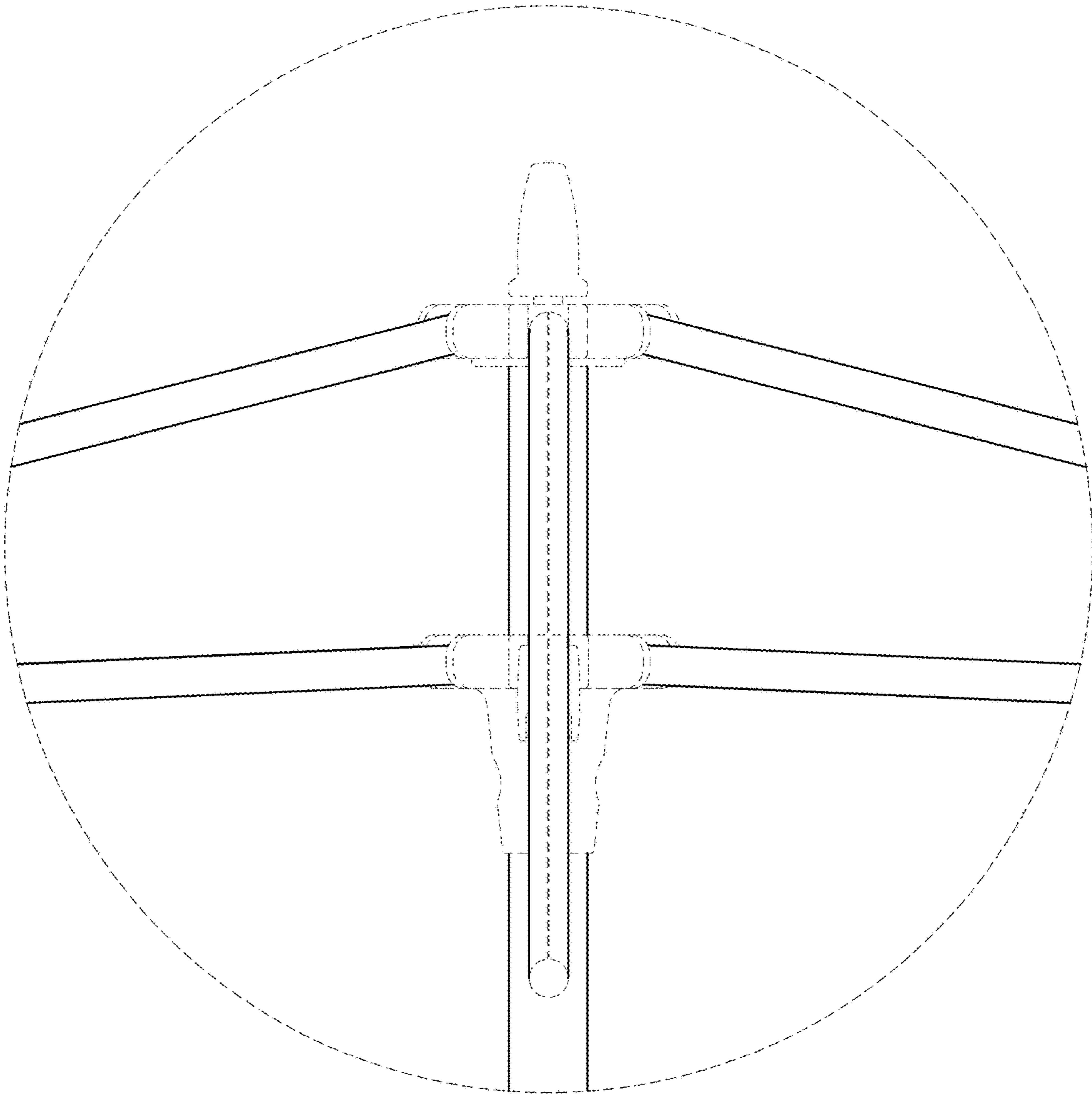


FIG. 6

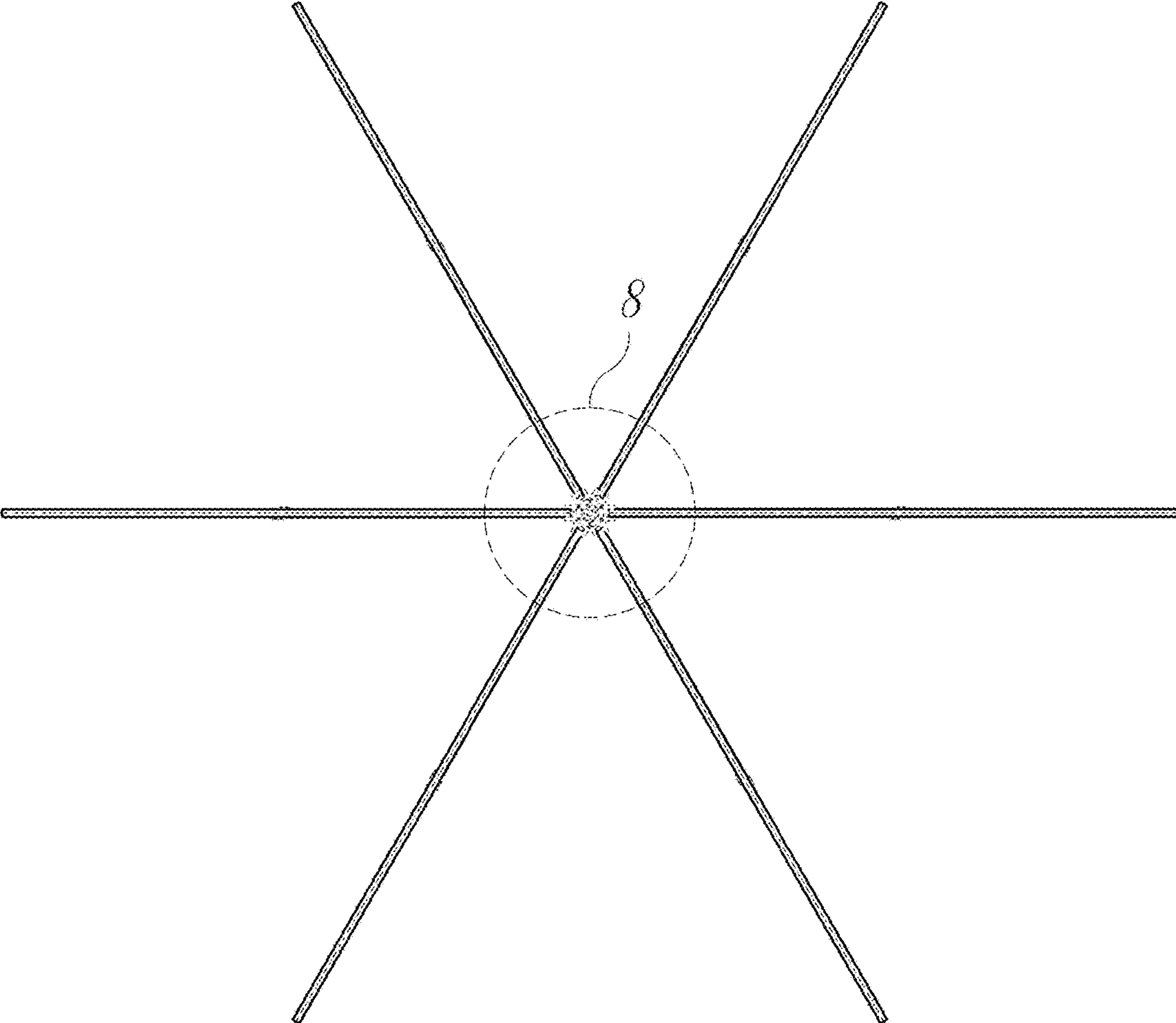


FIG. 7

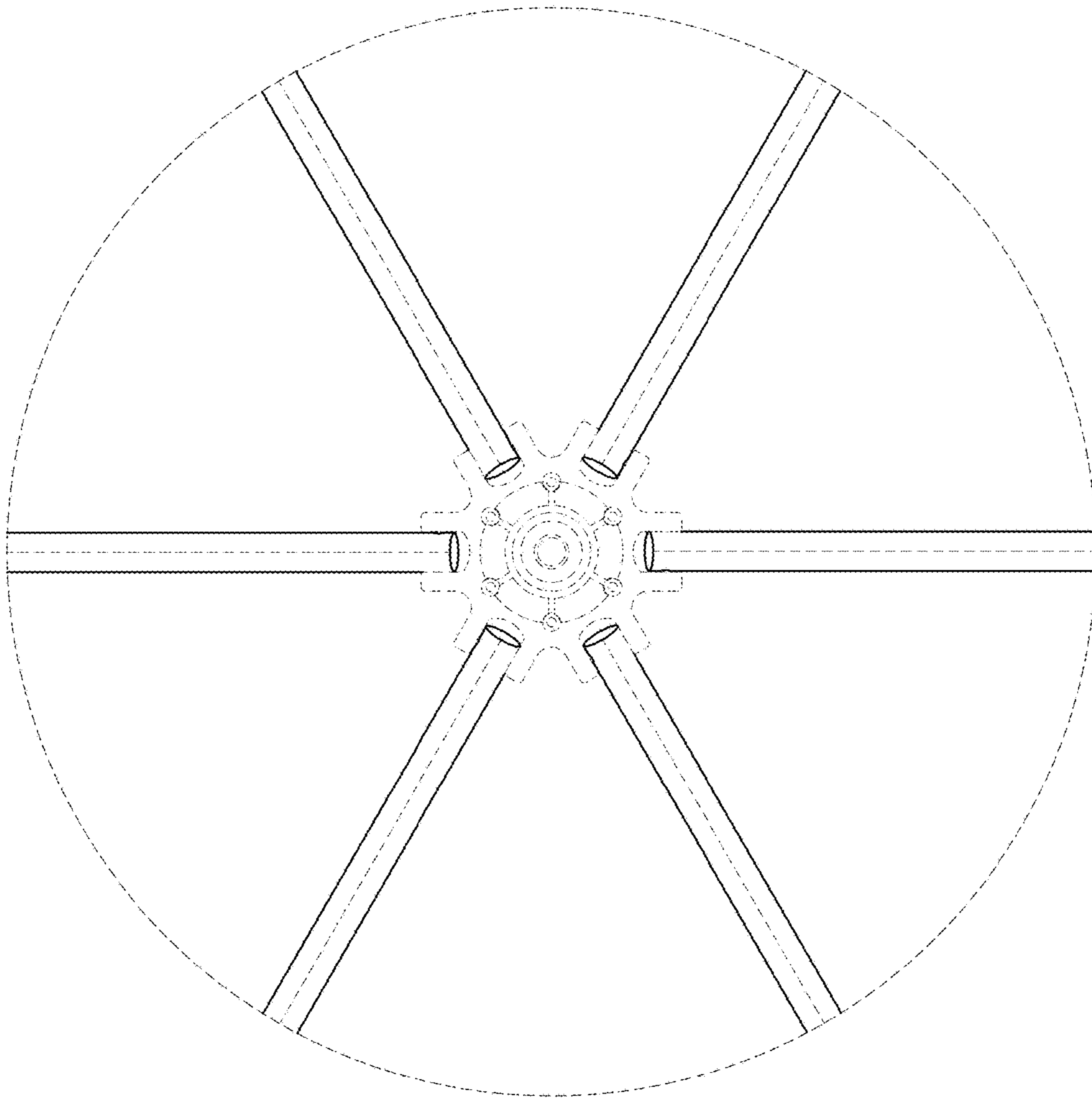


FIG. 8

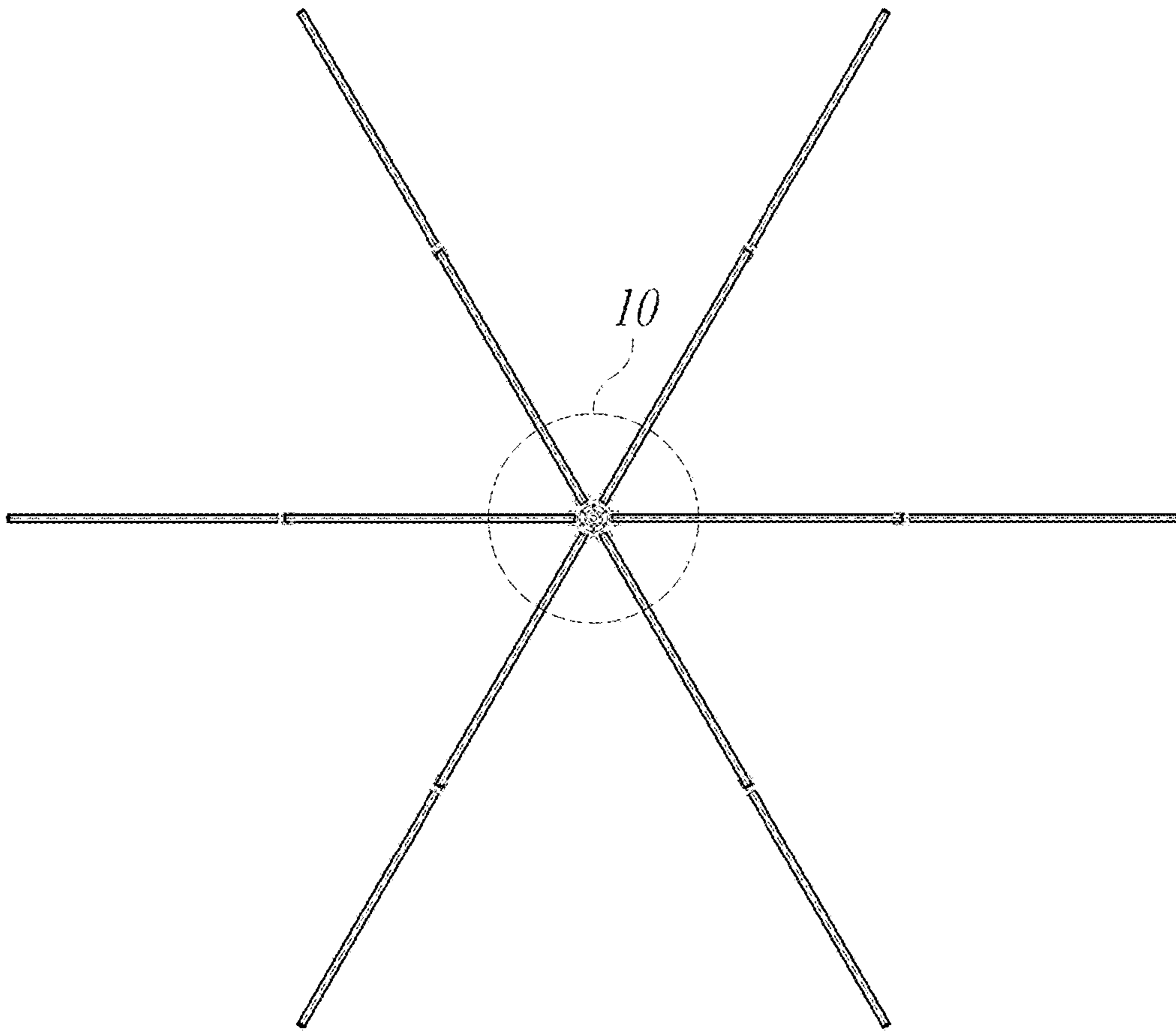


FIG. 9

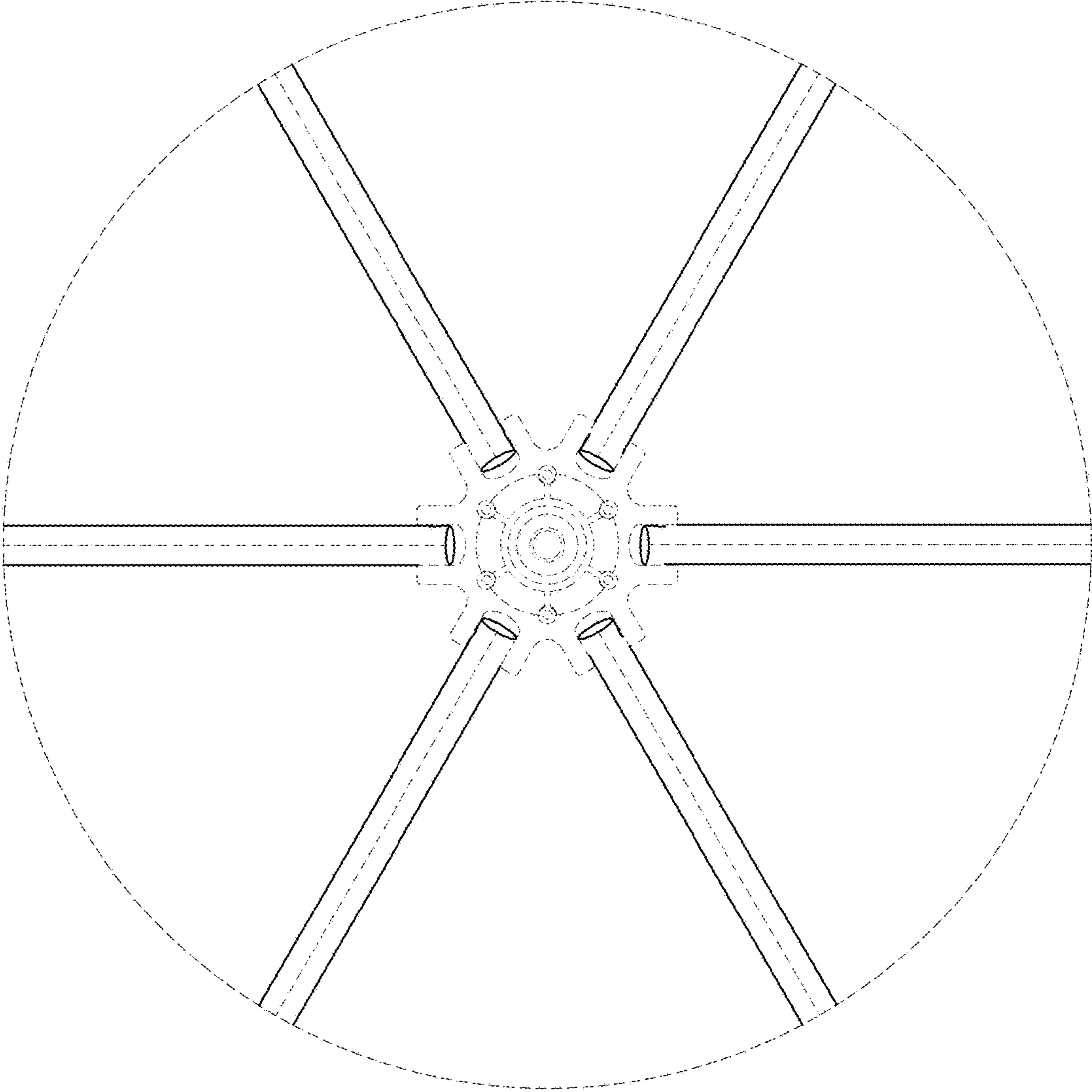


FIG. 10

UNITED STATES PATENT AND TRADEMARK OFFICE
CERTIFICATE OF CORRECTION

PATENT NO. : D818,697 S
APPLICATION NO. : 29/577686
DATED : May 29, 2018
INVENTOR(S) : Zhun-An Ma

Page 1 of 1

It is certified that error appears in the above-identified patent and that said Letters Patent is hereby corrected as shown below:

On the Title Page

Item (63), Column 1 at Line 5, Below "Des. 759,955." insert:

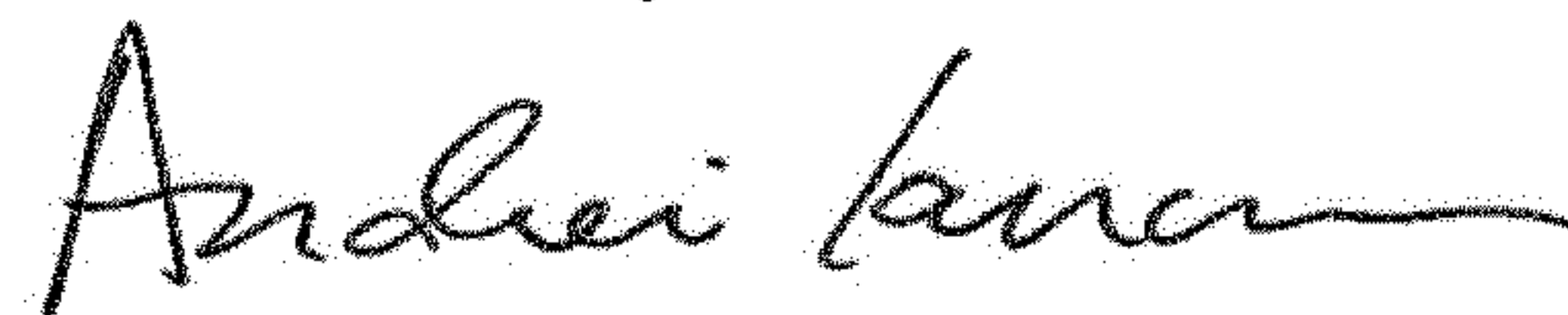
--Foreign Application Priority Data

Dec. 26, 2011 (CN) 2011 3 0499431

Jan. 16, 2012 (CN) 2012 3 0011965

Jan. 16, 2012 (CN) 2012 3 0011967--, as a new entry.

Signed and Sealed this
Thirteenth Day of November, 2018



Andrei Iancu
Director of the United States Patent and Trademark Office