



US00D818688S

(12) **United States Design Patent** (10) **Patent No.:** **US D818,688 S**
Petzl (45) **Date of Patent:** **** May 29, 2018**

(54) **CRAMPON**

(71) Applicant: **ZEDEL**, Crolles (FR)

(72) Inventor: **Paul Petzl**, Barraux (FR)

(73) Assignee: **ZEDEL**, Crolles (FR)

(**) Term: **15 Years**

(21) Appl. No.: **29/573,297**

(22) Filed: **Aug. 4, 2016**

(30) **Foreign Application Priority Data**

Feb. 11, 2016 (EM) 002981977-0002

Feb. 11, 2016 (EM) 002981977-0004

(51) **LOC (11) Cl.** **02-04**

(52) **U.S. Cl.**
USPC **D2/962**

(58) **Field of Classification Search**

USPC D2/962, 946, 906, 954, 947, 951, 960,
D2/959; 36/7.6, 64, 124, 132, 59 R, 62,
36/66; D21/768, 771; D15/24; D12/608

CPC A43C 15/068; A43C 15/09; A43C 15/06;
A43C 15/066; A43C 15/061; A43C
15/10; A43C 11/00; A43C 13/04; A43C
15/02;

(Continued)

(56) **References Cited**

U.S. PATENT DOCUMENTS

4,338,733 A * 7/1982 Frechin A43C 15/068
36/135

5,901,471 A * 5/1999 Warner A43C 15/068
36/124

(Continued)

OTHER PUBLICATIONS

Petzl Leopard LLF Crampon , Earliest comment on page Sep. 16, 2016, [online], [site visited Sep. 7, 2017]. Retrieved from url:https://www.backcountry.com/petzl-leopard-llf-crampon#.*

(Continued)

Primary Examiner — Jeffrey D Asch

Assistant Examiner — Tracey J Bell

(74) *Attorney, Agent, or Firm* — Oliff PLC

(57) **CLAIM**

The ornamental design for a crampon, as shown and described.

DESCRIPTION

FIG. 1 is a top, front perspective view showing my new design;

FIG. 2 is the right side view thereof;

FIG. 3 is the left side view thereof;

FIG. 4 is the top view thereof;

FIG. 5 is the front view thereof;

FIG. 6 is the rear view thereof;

FIG. 7 is the bottom view thereof;

FIG. 8 is the bottom, rear perspective view thereof;

FIG. 9 is an enlarged partial top, front perspective view of the area indicated by box 9 in FIG. 1;

FIG. 10 is an enlarged partial top, front perspective view of the area indicated by box 10 in FIG. 1;

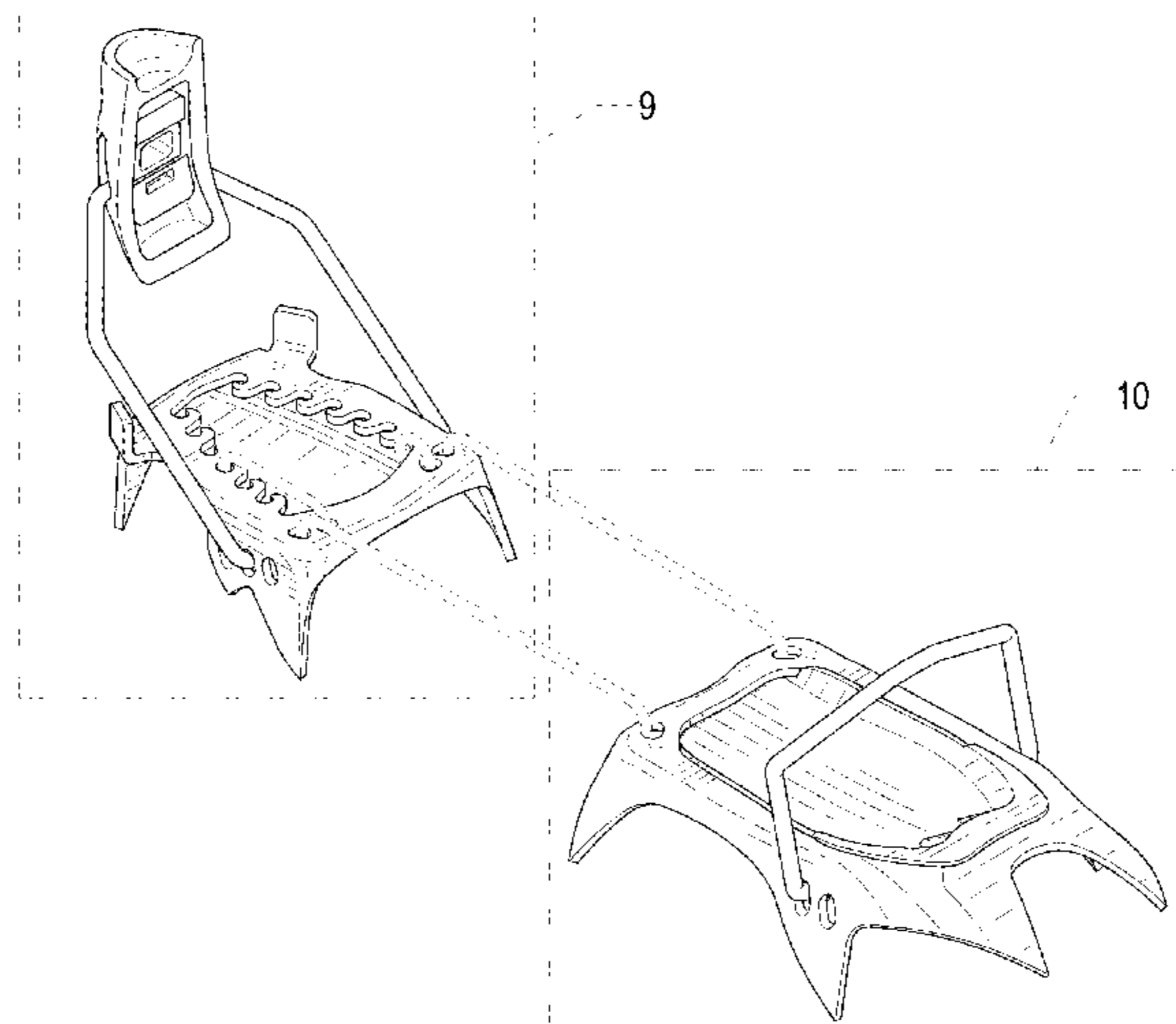
FIG. 11 is an enlarged partial bottom, rear perspective view of the area indicated by box 11 in FIG. 8; and,

FIG. 12 is an enlarged partial bottom, rear perspective view of the area indicated by box 12 in FIG. 8.

The short evenly-spaced broken lines depict portions of the crampon that form no part of the claimed design. The longer evenly-spaced broken line boxes surrounding portions of the crampon in FIGS. 1 and 8-12 indicate the areas within the boxes have been shown in enlarged views.

The crampon is shown in FIGS. 2, 3, 4, and 7 in fragmentary form, portions thereof having been eliminated to better fit the drawing on the page, it being understood that FIGS. 2, 3, 4, and 7 have the same complete appearance as FIG. 1.

1 Claim, 11 Drawing Sheets



(58) **Field of Classification Search**
 CPC A43C 15/065; A43C 15/161; A43C 19/00;
 A43C 7/00; A43B 5/02; A43B 13/26;
 A43B 5/0423; A63C 13/003
 See application file for complete search history.

2013/0312282 A1* 11/2013 Girard A43C 15/06
 36/62
 2015/0007460 A1* 1/2015 Girard A43B 5/18
 36/59 R
 2015/0216265 A1* 8/2015 Bonnet A43C 15/068
 36/64

(56) **References Cited**

U.S. PATENT DOCUMENTS

D429,513 S * 8/2000 Warner D21/768
 6,766,597 B1 * 7/2004 Perrod A43B 3/26
 36/59 R
 D544,940 S * 6/2007 Gobbi D21/768
 9,320,324 B2 * 4/2016 Girard A43C 15/06
 2002/0189133 A1 * 12/2002 Parisotto A43B 7/08
 36/3 B
 2003/0037461 A1 * 2/2003 Petzl A43C 15/068
 36/7.6
 2003/0106243 A1 * 6/2003 Tucker A43B 13/26
 36/62
 2004/0194346 A1 * 10/2004 Petzl A43C 15/068
 36/59 R
 2010/0064552 A1 * 3/2010 Petzl A43C 15/068
 36/59 R

OTHER PUBLICATIONS

How to adjust your crampons Leopard LLF and Irvis Hybrid, Aug. 1, 2016, [online], [site visited Sep. 7, 2017]. Retrieved from url:<https://www.youtube.com/watch?v=WxNpT1RKWuw>.*

Antisnow Leopard Crampons Petzl USA, as archived by the internet archive on Jul. 10, 2017, [online], [site visited Sep. 7, 2017]. Retrieved from url:<https://web.archive.org/web/20170710002640/https://www.petzl.com/US/en/Sport/Crampons/ANTISNOW-LEOPARD#.WbGgAvkrJmM>.*

Black Diamond Neve Pro Aluminum Crampons, no date available, [online], [site visited Sep. 7, 2017]. Retrieved from url:<https://www.rei.com/product/100501/black-diamond-neve-pro-aluminum-crampons>.*

* cited by examiner

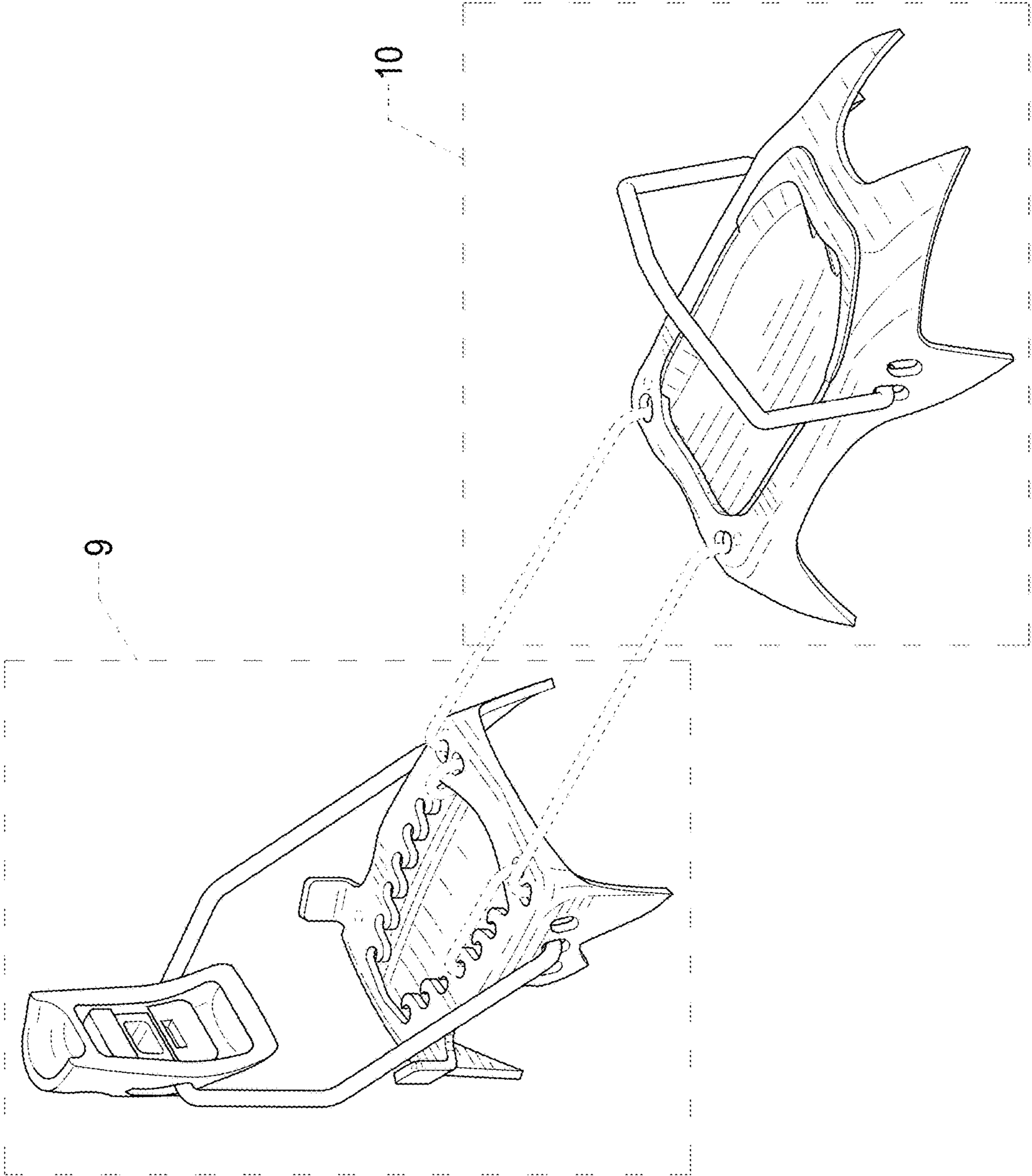


FIG. 1

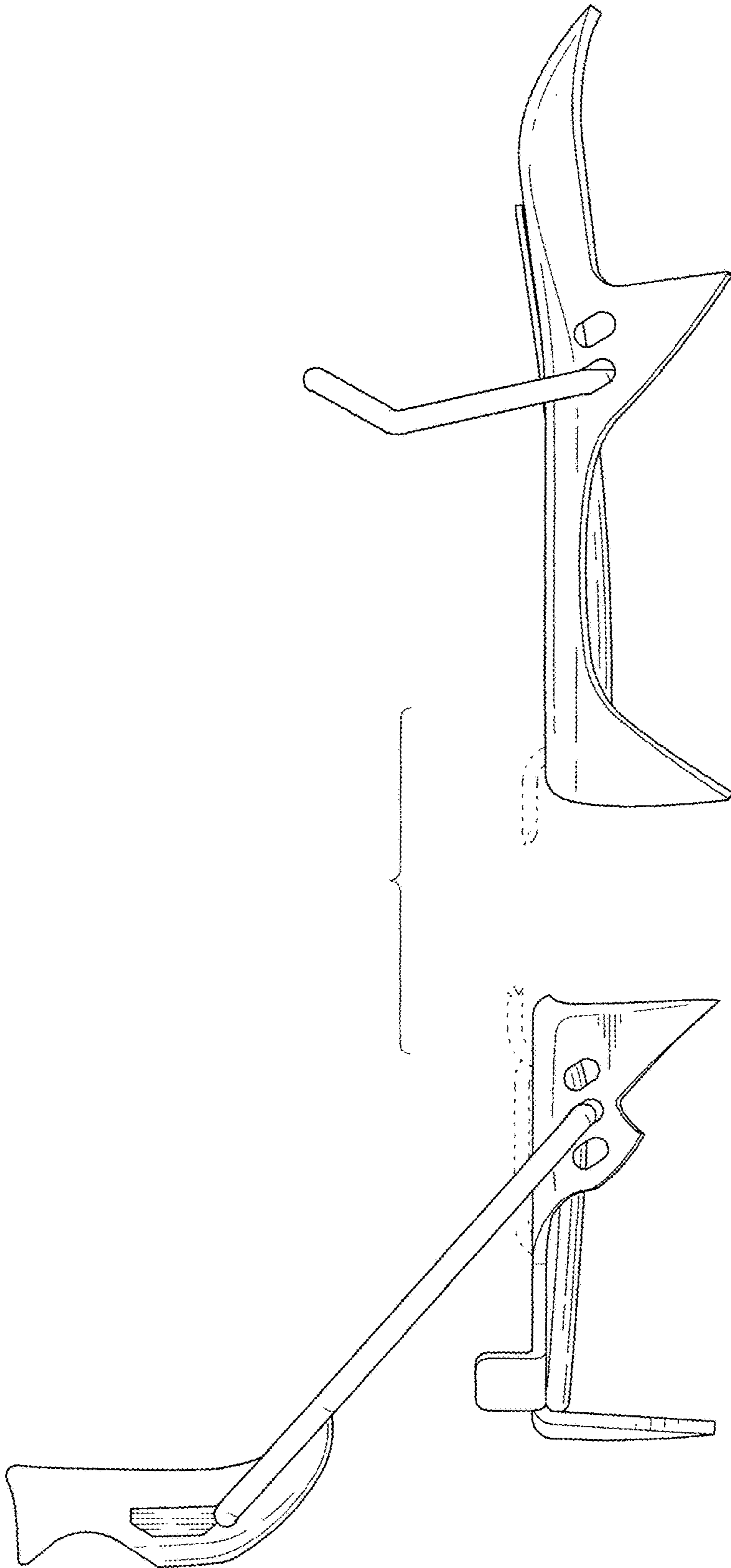


FIG. 2

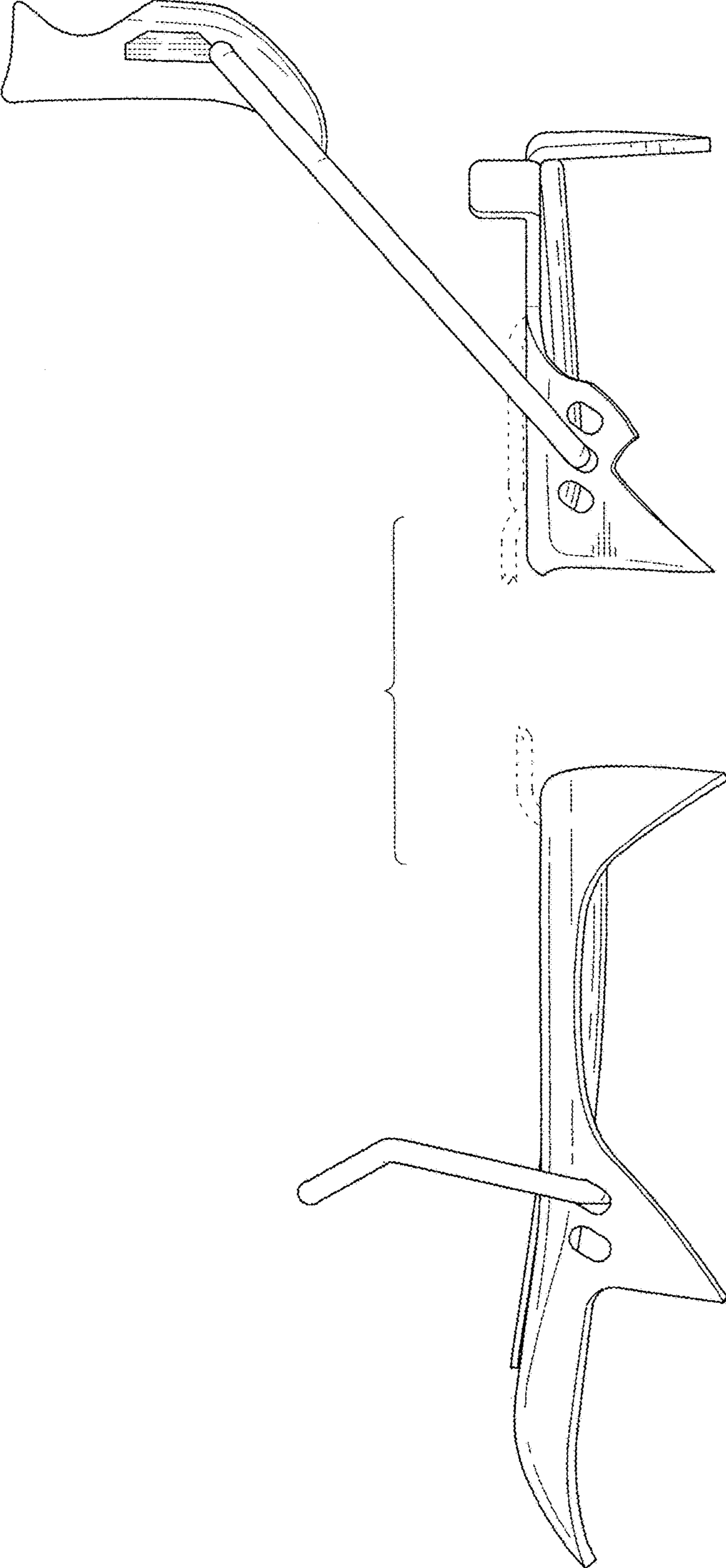


FIG. 3

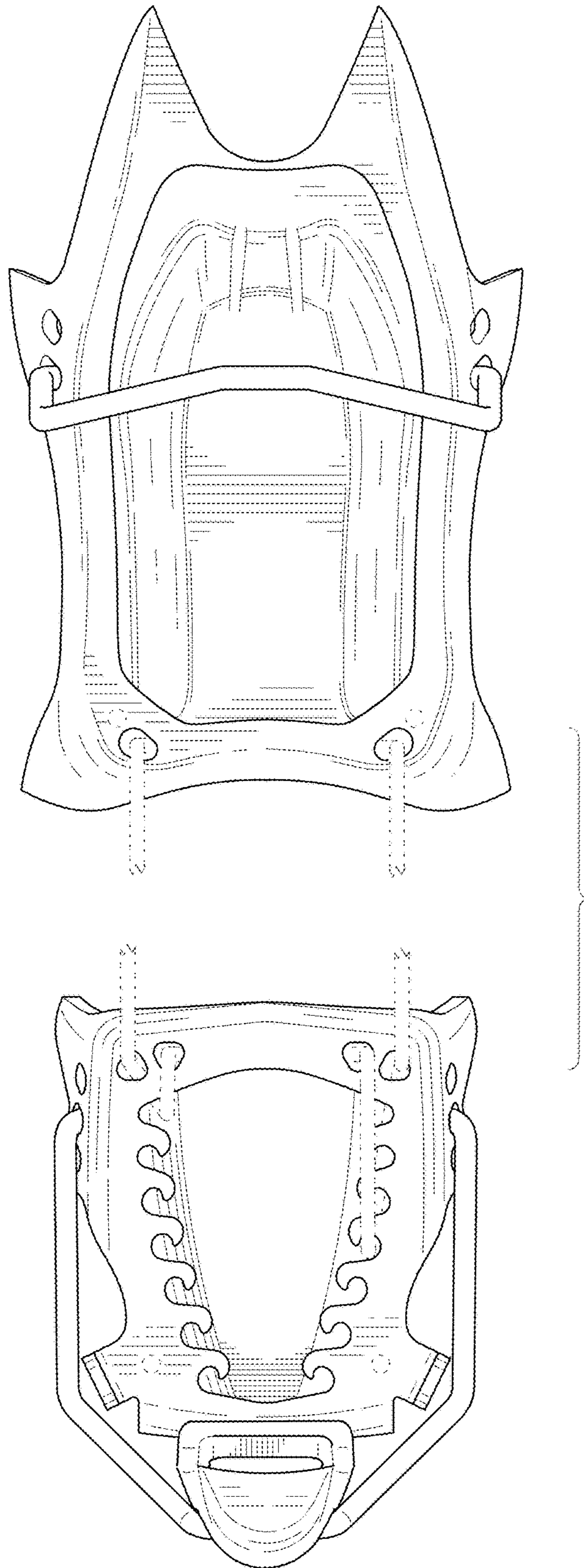


FIG. 4

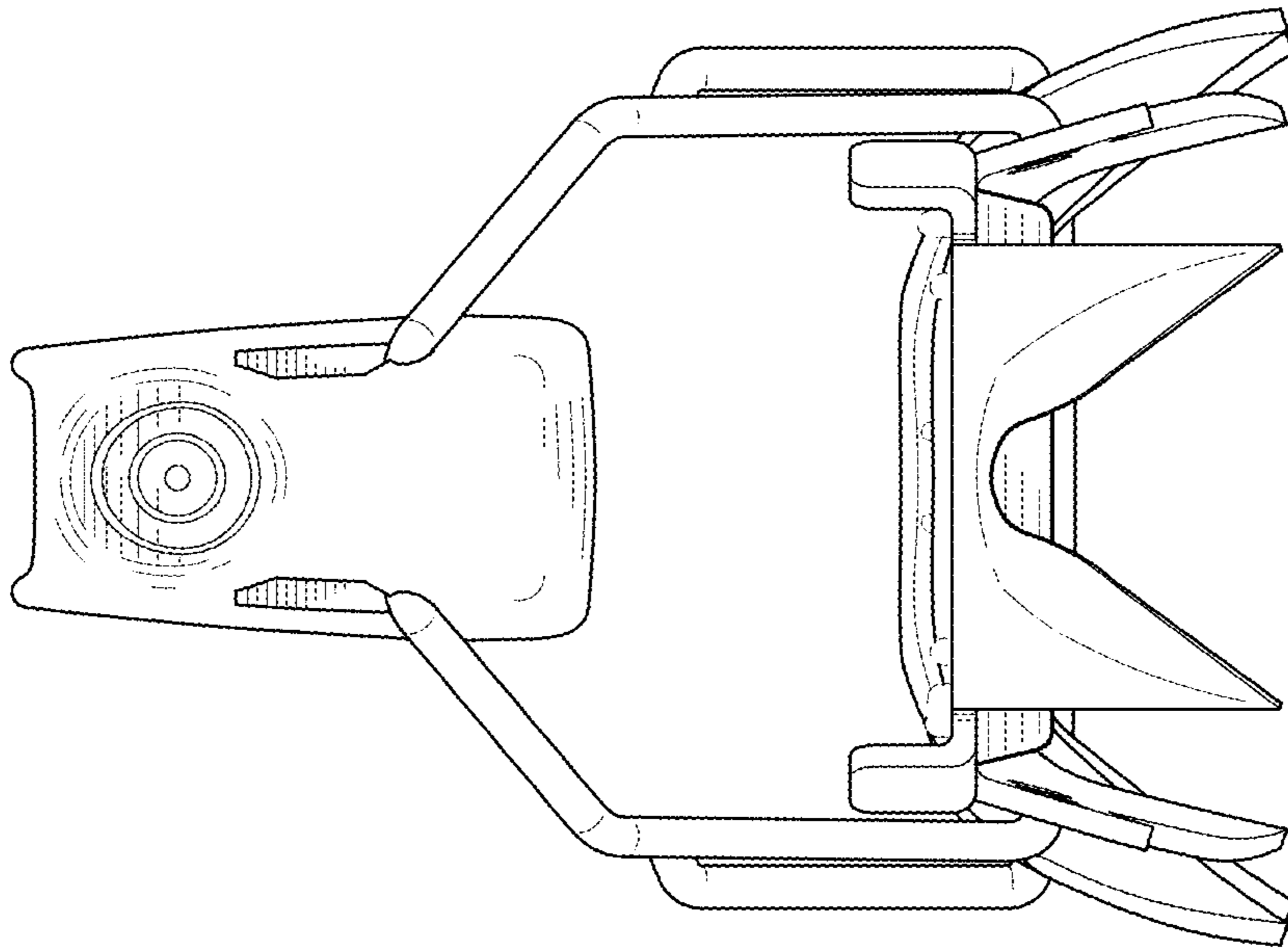


FIG. 6

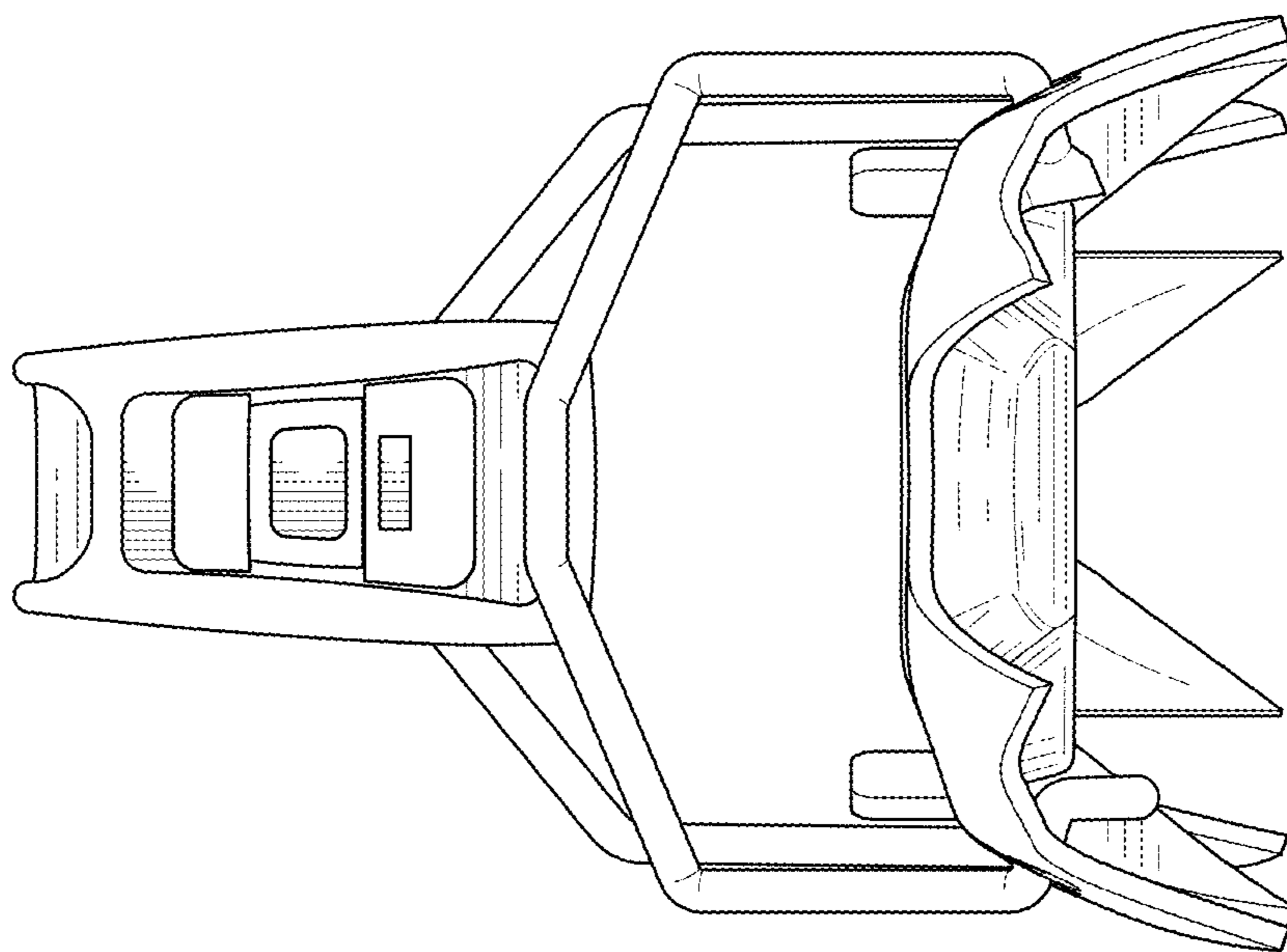


FIG. 5

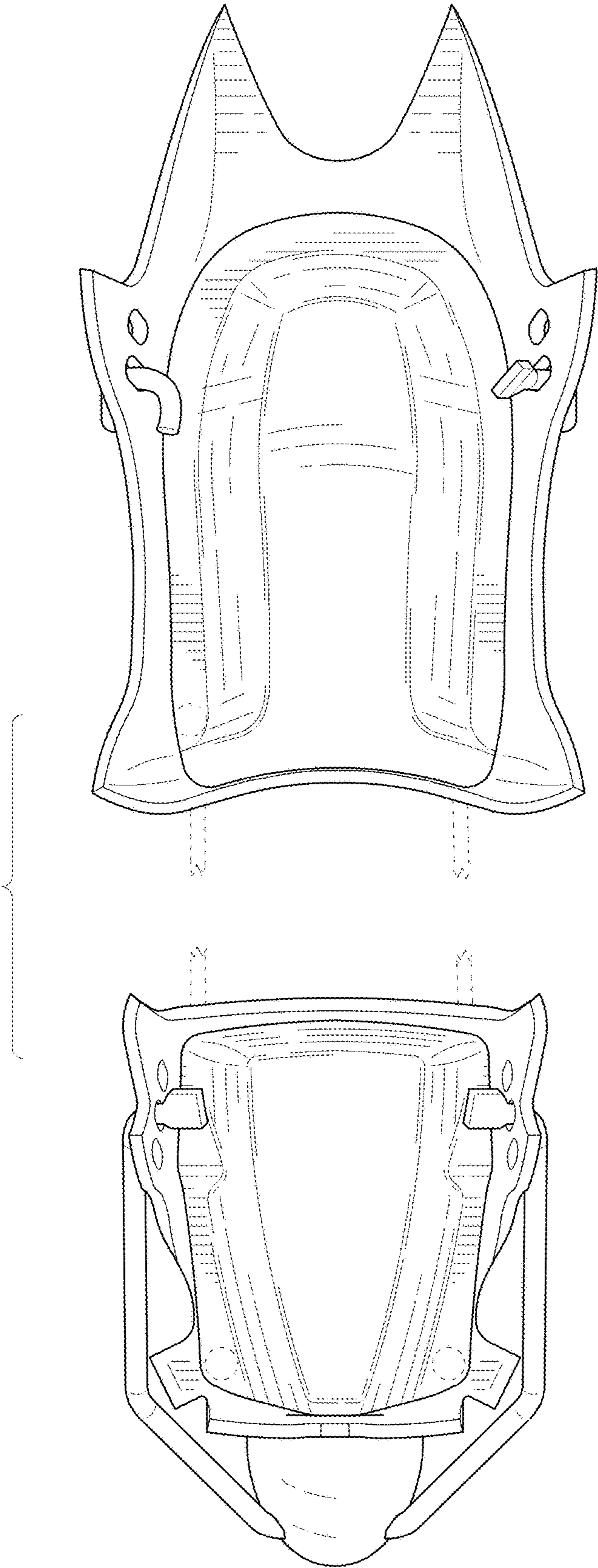


FIG. 7

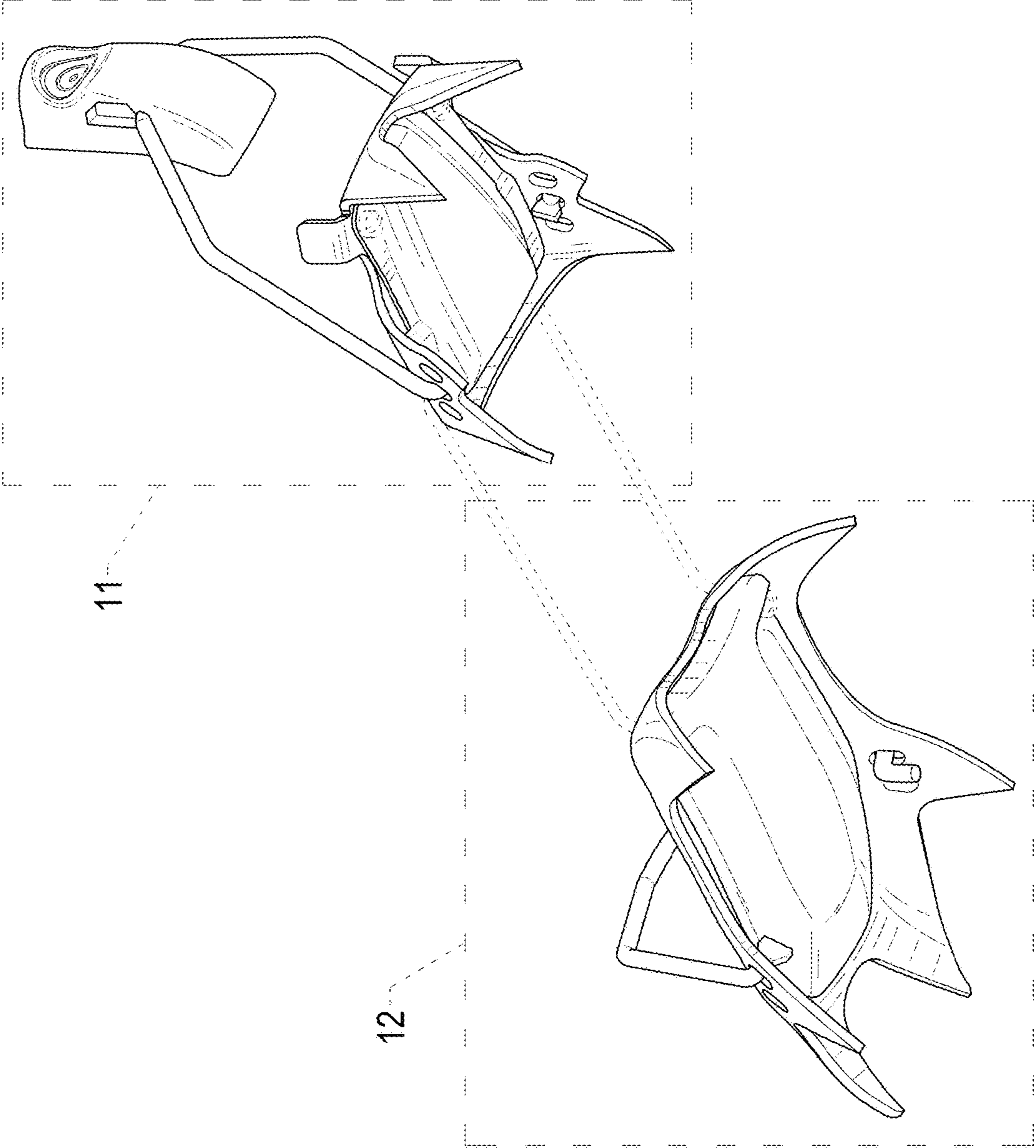


FIG. 8

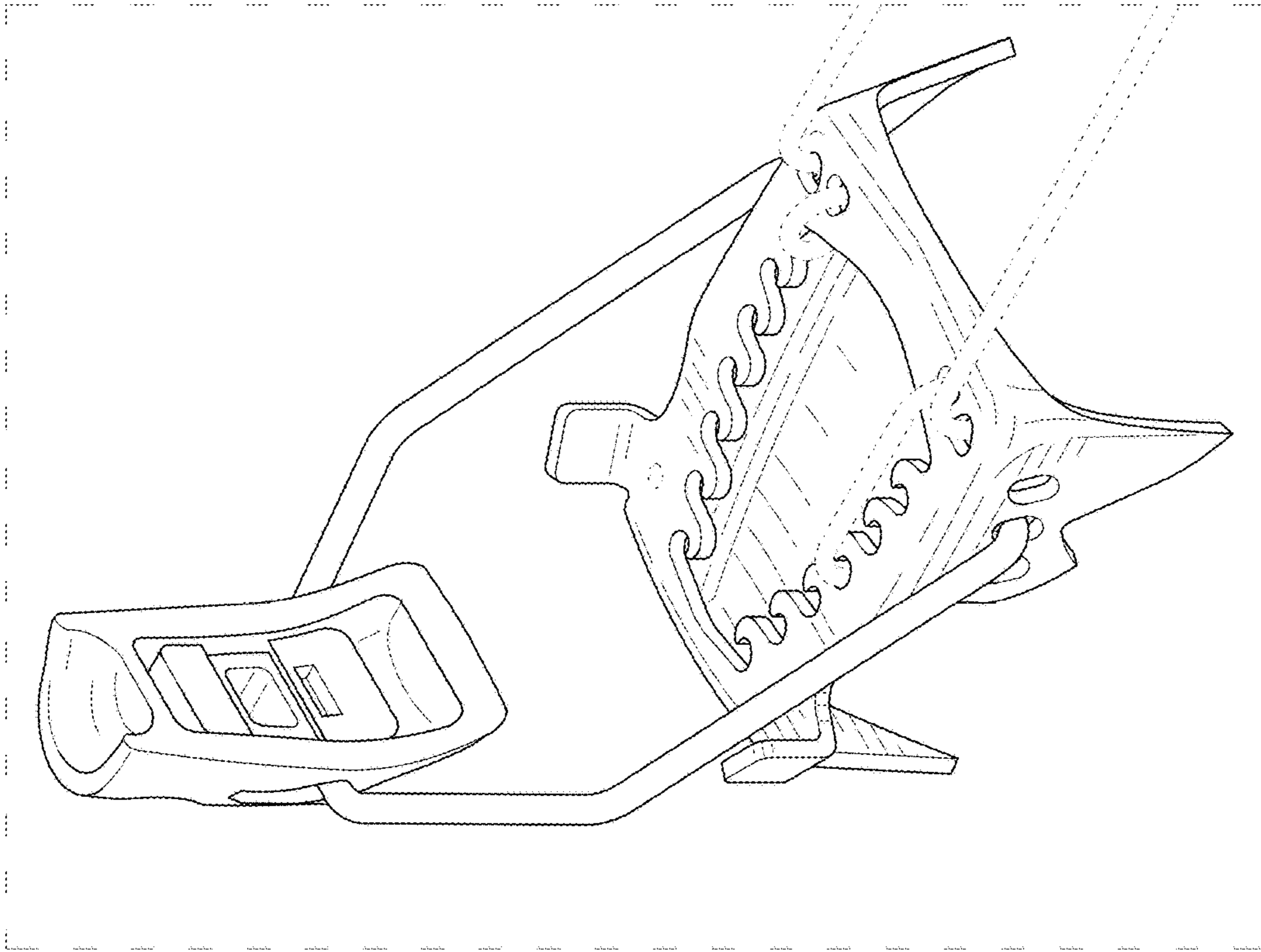


FIG. 9

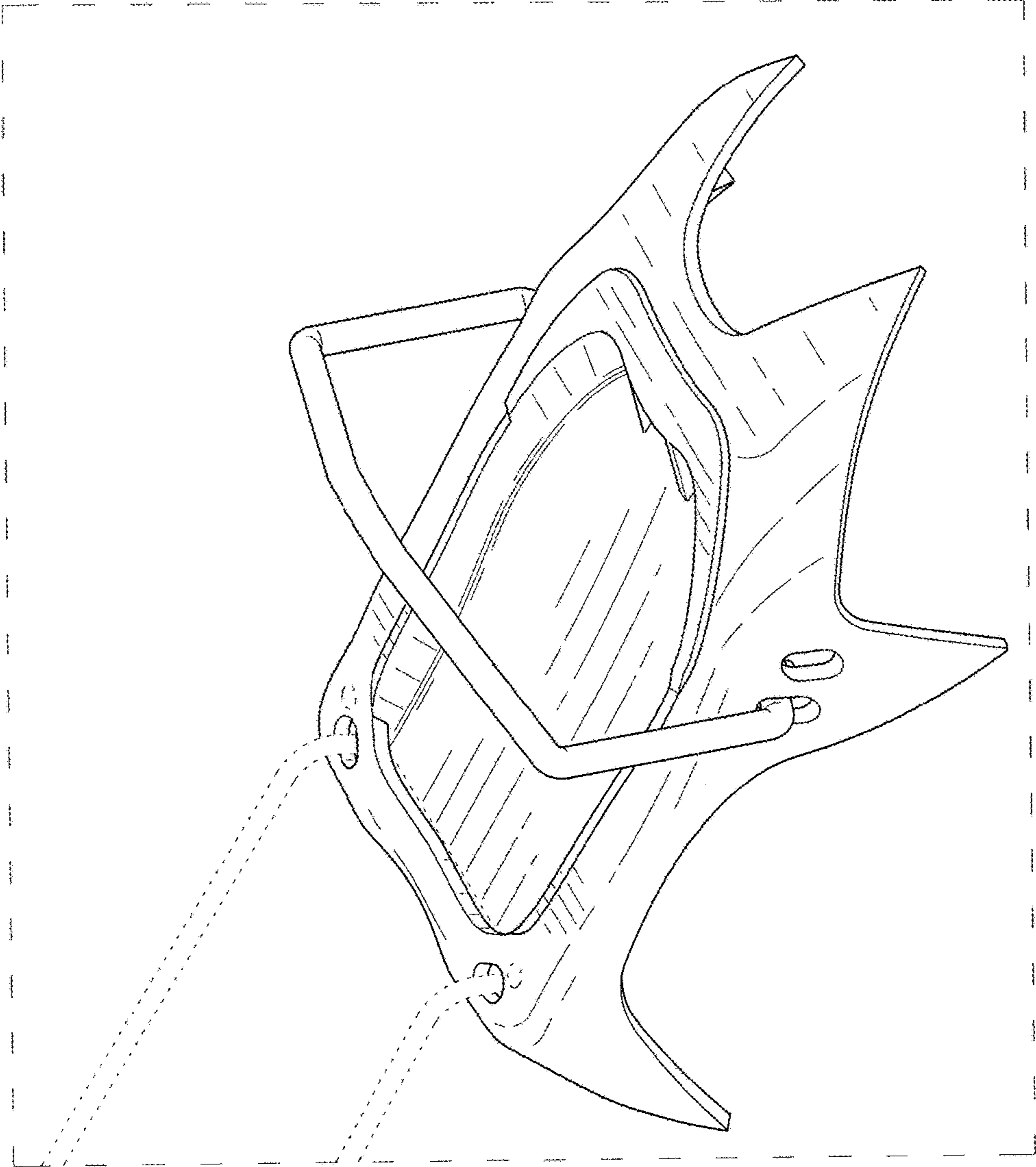


FIG. 10

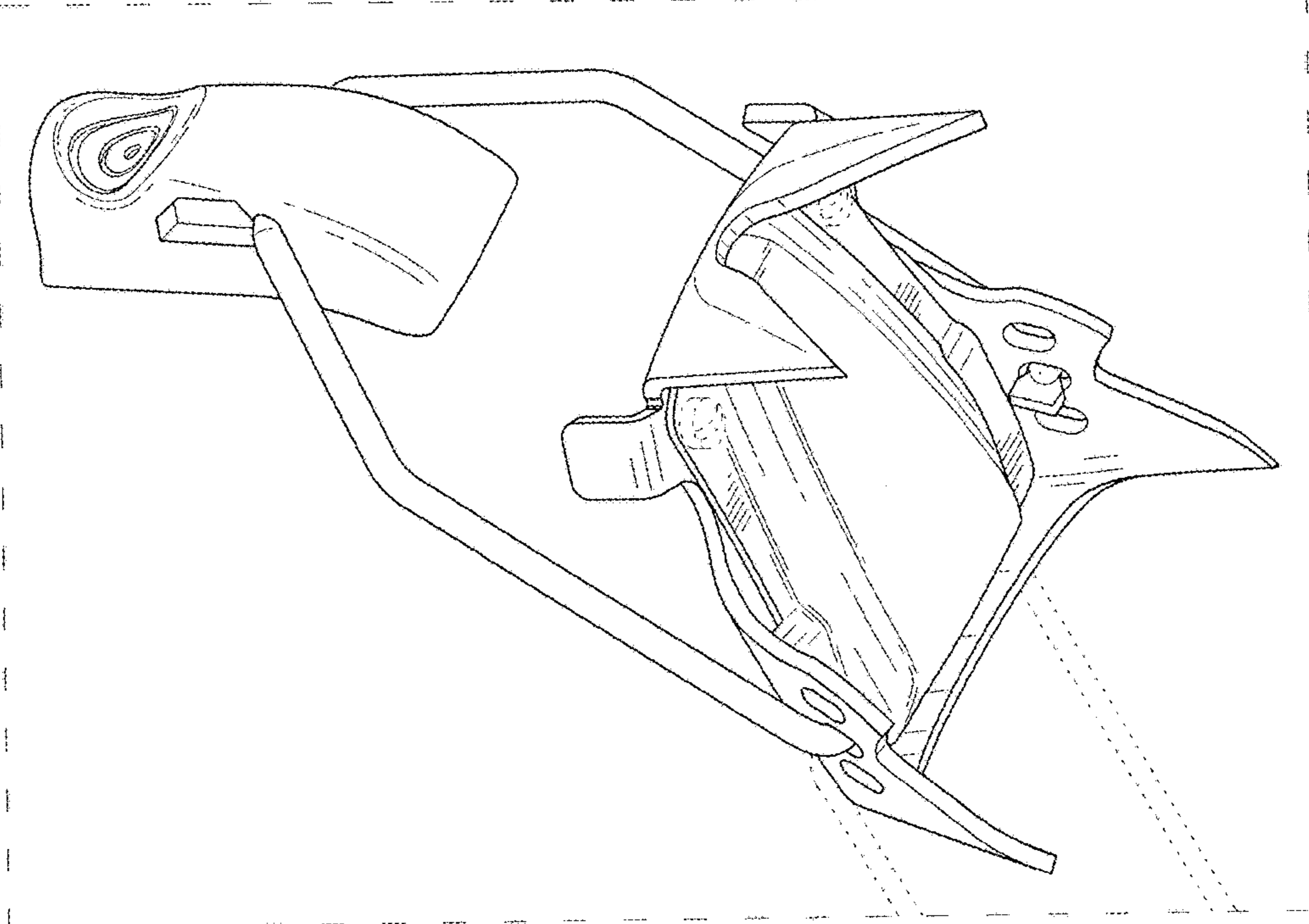


FIG. 11

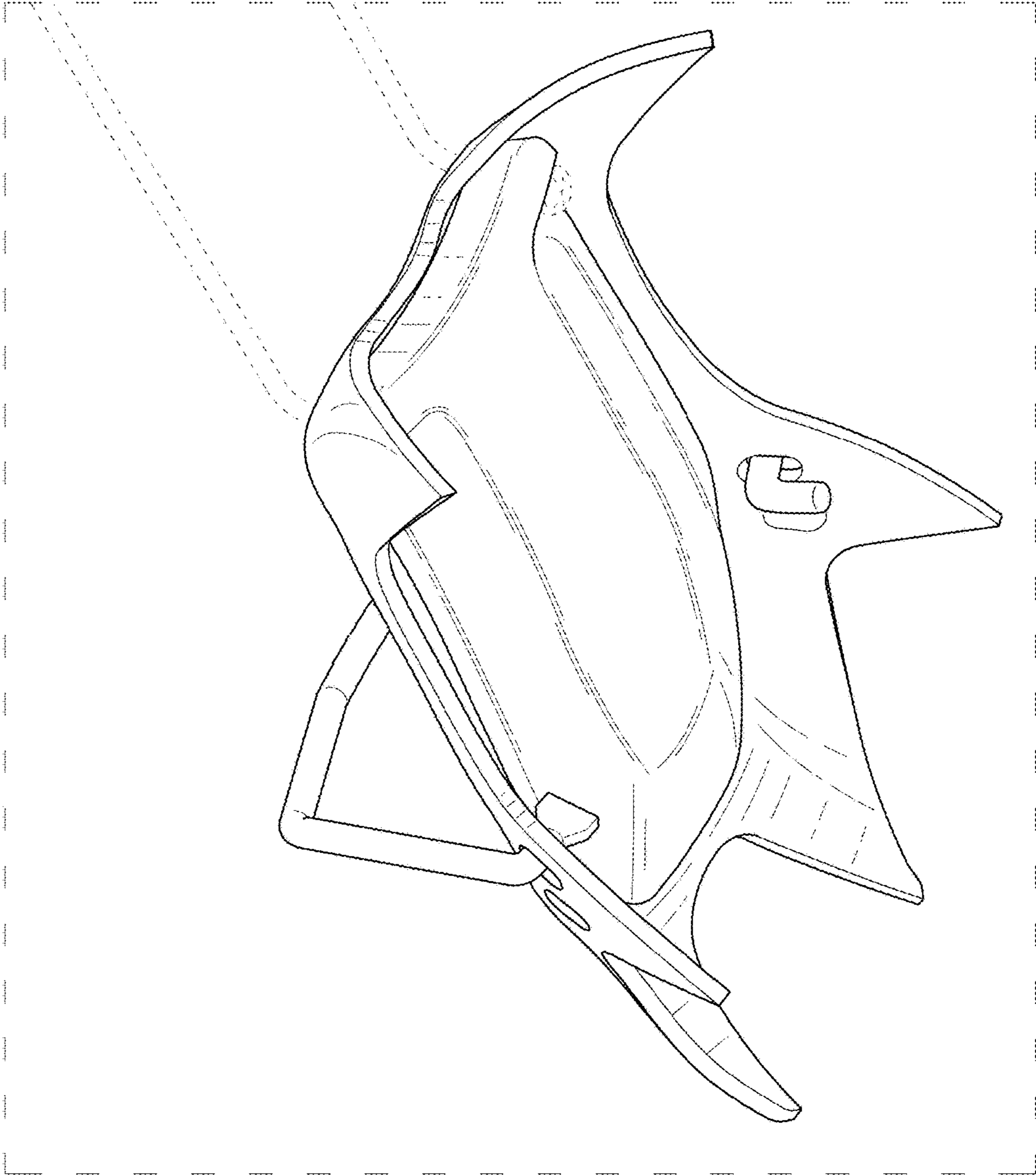


FIG. 12