



US00D818682S

(12) **United States Design Patent**
Wang et al.

(10) **Patent No.:** **US D818,682 S**
(45) **Date of Patent:** **** May 29, 2018**

(54) **METAL TOE CAP HALO RING FOR A SHOE**

(71) Applicant: **Alexander Wang Incorporated**, New York, NY (US)

(72) Inventors: **Alexander Wang**, New York, NY (US);
Nicolas Jean Berny, Porto Vecchio (FR)

(73) Assignee: **ALEXANDER WANG INCORPORATED**, New York, NY (US)

(**) Term: **15 Years**

(21) Appl. No.: **29/581,619**

(22) Filed: **Oct. 20, 2016**

(51) **LOC (11) Cl.** **02-99**

(52) **U.S. Cl.**
USPC **D2/946; D2/976**

(58) **Field of Classification Search**
USPC D2/923-942, 946, 965, 969, 971; 36/1, 36/83, 8.1-8.3, 9 R, 45-58, 104, 108, 36/76 R, 136
CPC A43B 21/00; A43B 21/02; A43B 21/06; A43B 9/14; A43B 1/0045; A43B 13/10; A43B 13/12; A43B 23/06; A43B 23/07; A43B 1/0036; A43B 5/12; A43B 23/24
See application file for complete search history.

(56) **References Cited**

U.S. PATENT DOCUMENTS

- 1,514,706 A * 11/1924 Kennedy A43B 23/24 36/1
- 1,640,665 A * 8/1927 Muscente A43B 23/24 2/245
- 1,725,509 A * 8/1929 Esposito A43B 23/24 36/1
- 1,903,004 A * 3/1933 Mariani A43B 23/24 24/561
- D190,900 S * 7/1961 Grossman D2/939

- D247,932 S * 5/1978 Katz D2/927
 - D478,205 S * 8/2003 Hardy D2/939
 - D535,809 S * 1/2007 Weitzman D2/925
 - D559,523 S * 1/2008 Choi D2/971
 - D564,202 S * 3/2008 Choi D2/970
 - 7,819,721 B1 * 10/2010 Messier A43B 23/24 2/244
 - D660,565 S * 5/2012 Della Valle D2/939
 - D702,027 S * 4/2014 Campbell D2/925
 - 8,701,311 B2 * 4/2014 Barnhart A43B 23/24 36/1.5
 - D744,730 S * 12/2015 Kirkwood D2/939
- (Continued)

Primary Examiner — Dominic V Simone

(74) *Attorney, Agent, or Firm* — Arent Fox LLP

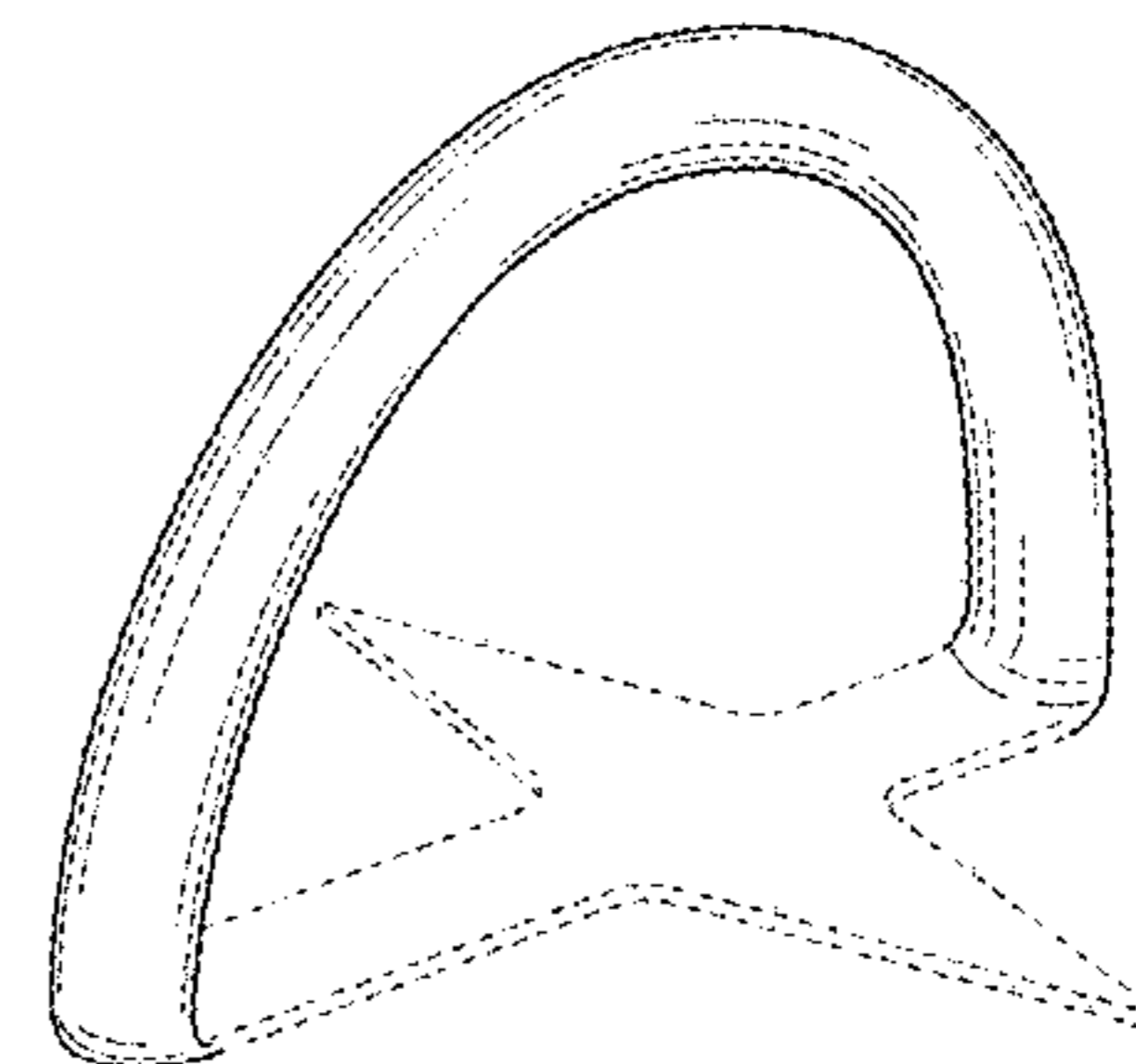
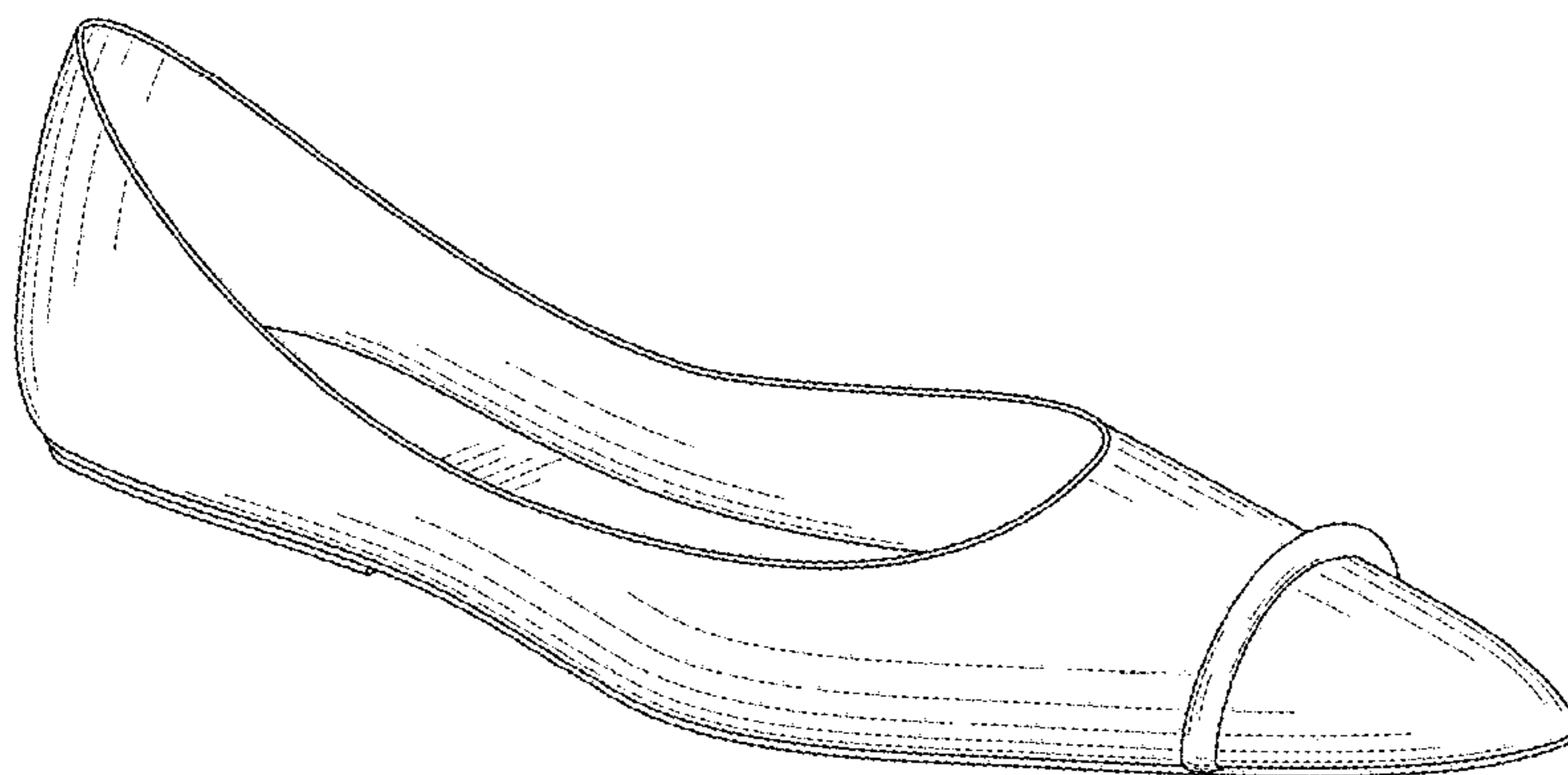
(57) **CLAIM**

What is claimed is an ornamental design for a metal toe cap halo ring for a shoe, as shown and described.

DESCRIPTION

FIG. 1 is a perspective view of a shoe having a metal toe cap halo ring;
 FIG. 2 is a right side view thereof;
 FIG. 3 is a left side view thereof;
 FIG. 4 is a front view thereof;
 FIG. 5 is a rear view thereof;
 FIG. 6 is a top view thereof;
 FIG. 7 is a bottom view thereof;
 FIG. 8 is a perspective view of the metal toe cap halo ring;
 and,
 FIG. 9 is a perspective view of another shoe with a metal toe cap halo ring.
 The broken lines showing the shoe in FIG. 9 are for the purposes of illustrating environment and form no part of the claimed design, and the broken lines on the ring in FIG. 8 depict portions of the ring that form no part of the claimed design.

1 Claim, 6 Drawing Sheets



(56)

References Cited

U.S. PATENT DOCUMENTS

D762,055 S * 7/2016 Kirkwood D2/971
9,439,476 B2 * 9/2016 Riccardi A43B 23/24
9,474,329 B1 * 10/2016 Harvey A43B 23/24
D804,156 S * 12/2017 Hawthornthwaite D2/939
D805,276 S * 12/2017 Hawthornthwaite D2/939
D805,277 S * 12/2017 Gavrieli D2/939
D805,744 S * 12/2017 Hardy D2/939

* cited by examiner



FIG. 1

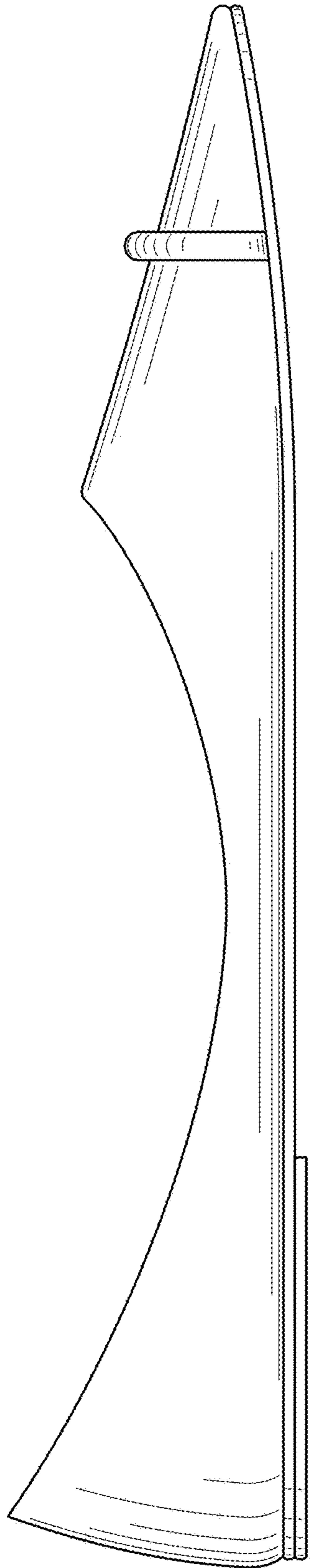


FIG. 2

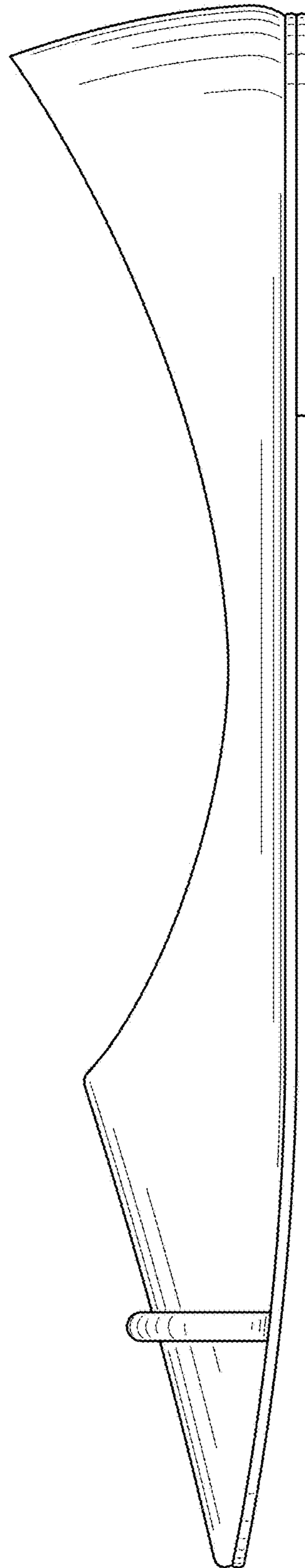


FIG. 3

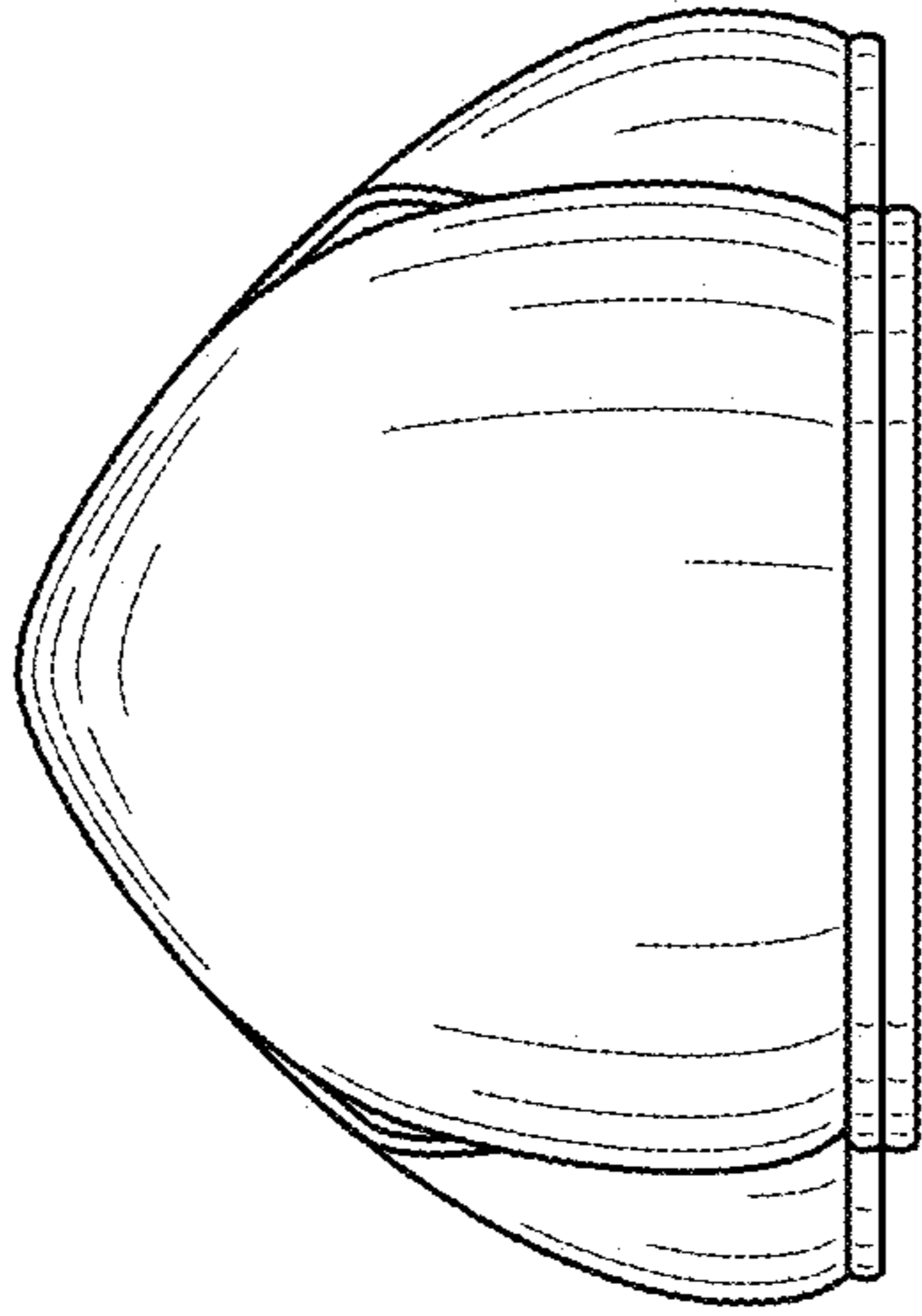


FIG. 5

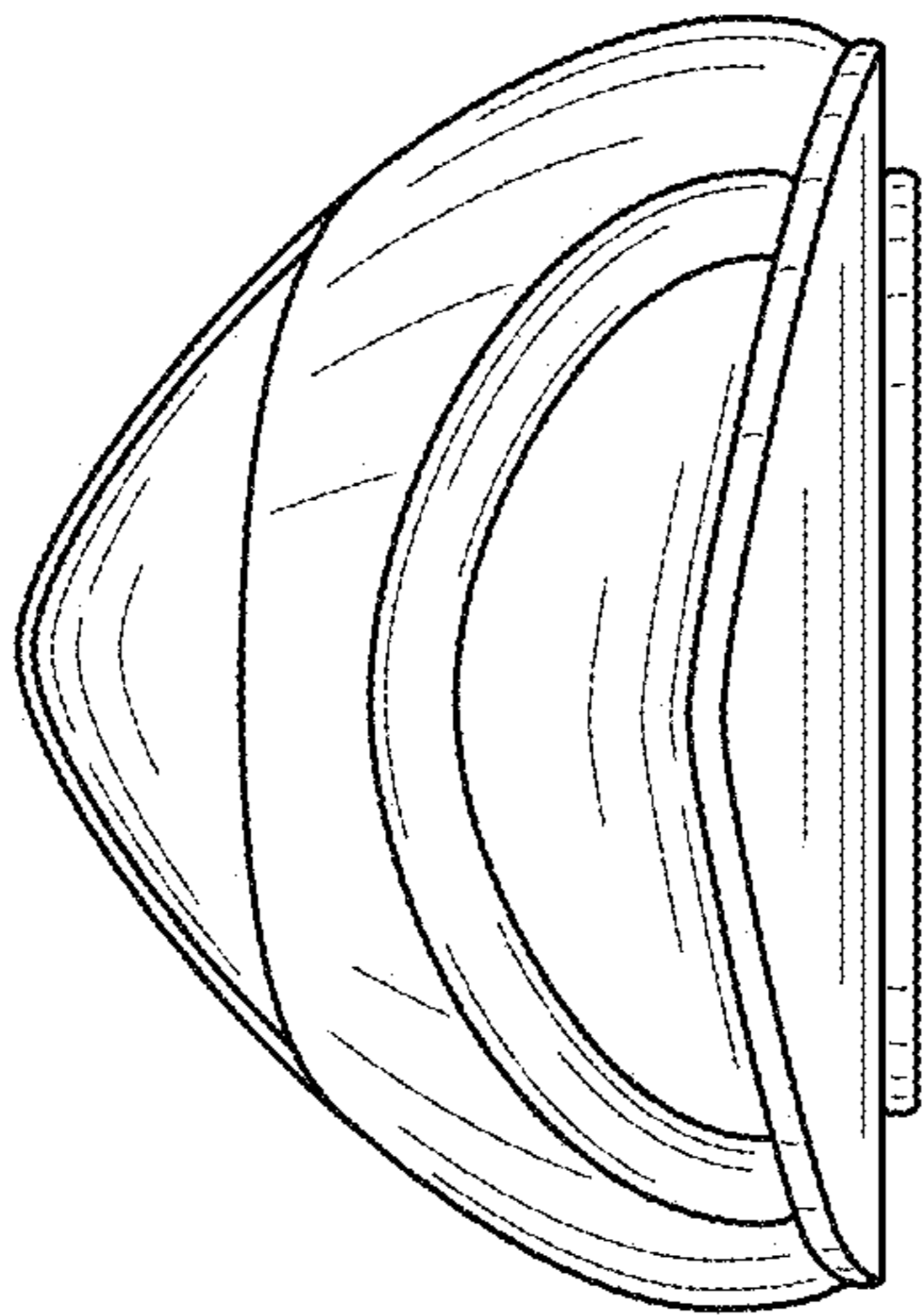


FIG. 4

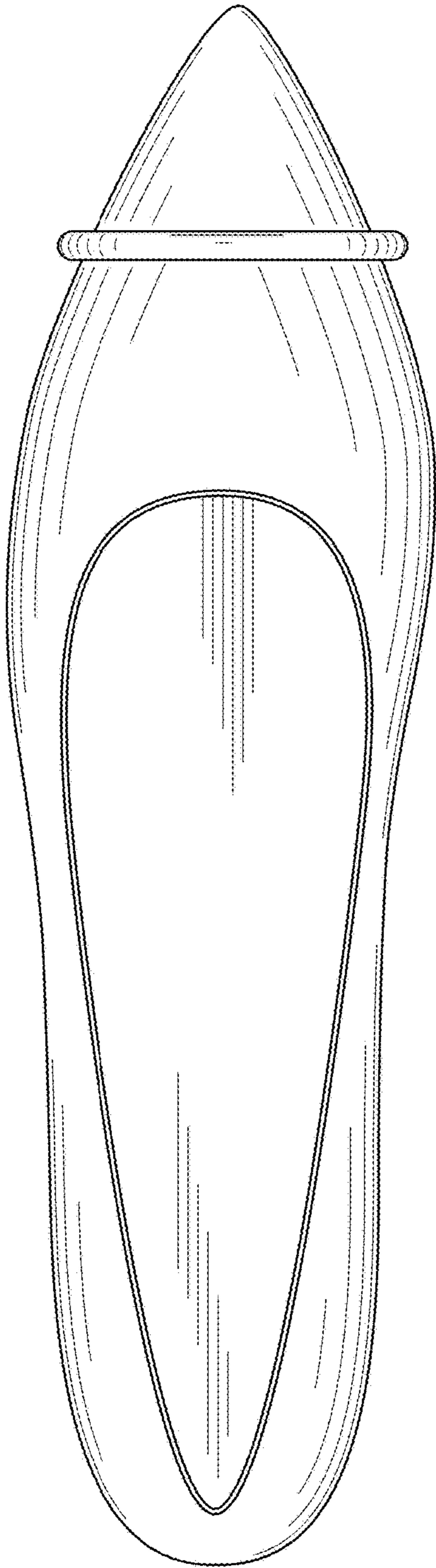


FIG. 6

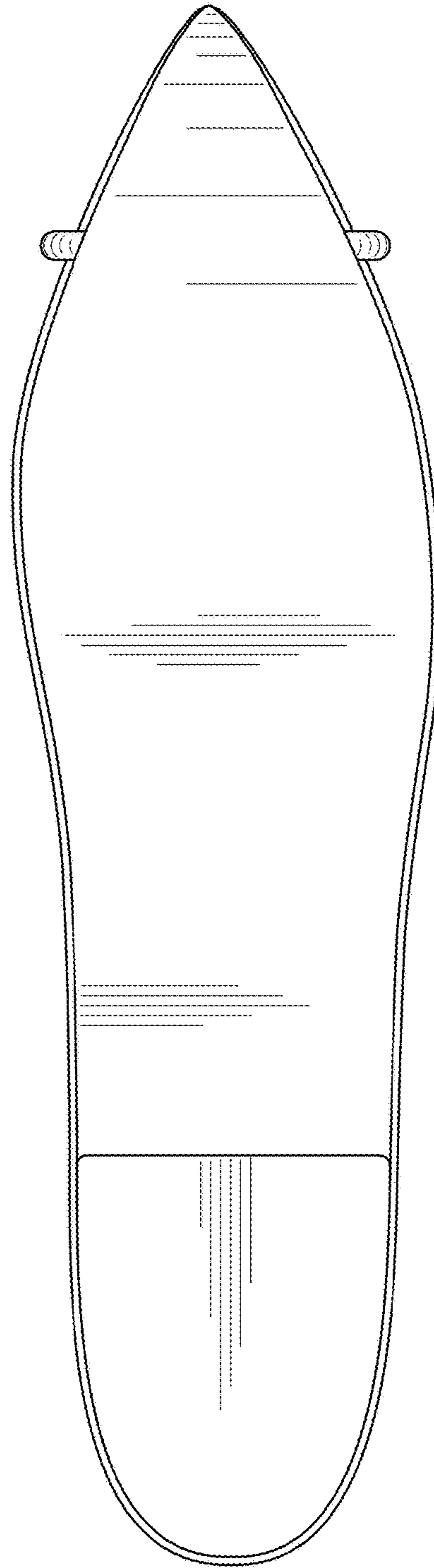


FIG. 7

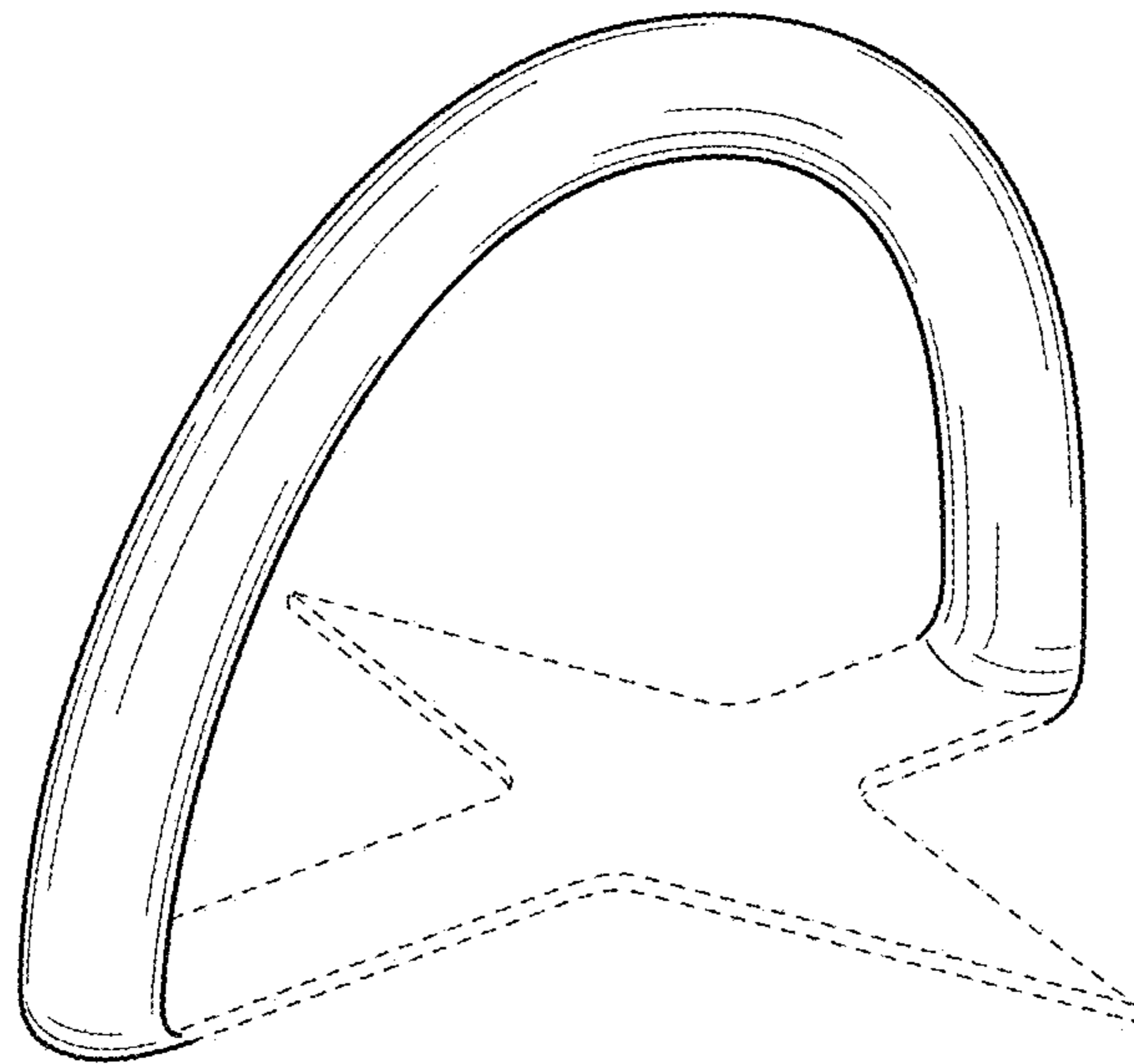


FIG. 8

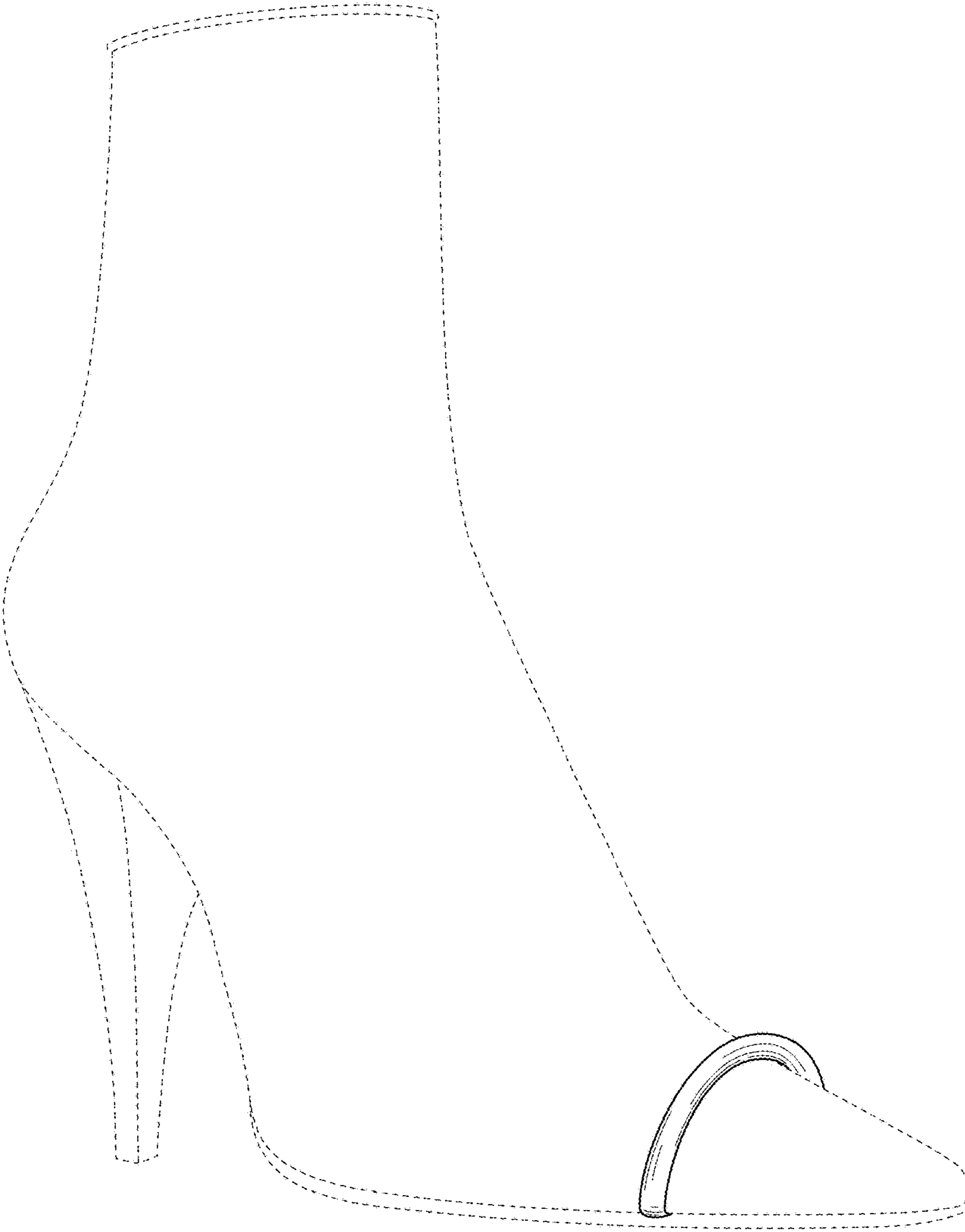


FIG. 9