



US00D818675S

(12) **United States Design Patent**
Stonisch

(10) **Patent No.:** **US D818,675 S**

(45) **Date of Patent:** **** May 29, 2018**

(54) **FOOTWEAR RESTRAINT SYSTEM**

(71) Applicant: **Rudy Stonisch**, Birmingham, MI (US)

(72) Inventor: **Rudy Stonisch**, Birmingham, MI (US)

(**) Term: **15 Years**

(21) Appl. No.: **29/533,424**

(22) Filed: **Jul. 16, 2015**

(51) **LOC (11) Cl.** **02-04**

(52) **U.S. Cl.**
USPC **D2/917**; D2/976

(58) **Field of Classification Search**
USPC D2/896-898, 906, 916-919, 945, 976
CPC .. A43B 5/08; A43B 3/10; A43B 23/00; A43B
3/126; A43B 3/103; A43B 3/122; A43B
1/0027

See application file for complete search history.

(56) **References Cited**

U.S. PATENT DOCUMENTS

- 3,978,596 A * 9/1976 Brown A43B 3/122
12/142 S
- 4,172,330 A * 10/1979 Kao A43B 3/103
36/101
- D448,542 S * 10/2001 Bryant D2/917
- 6,904,706 B2 * 6/2005 Jones A43B 1/0027
36/101
- D523,214 S * 6/2006 Jarmon Mouchi D2/946
- 7,222,442 B2 * 5/2007 Hillyer A43B 3/103
36/10
- D561,455 S * 2/2008 Belley D2/917

- 8,132,342 B1 * 3/2012 Moon A43B 1/0027
36/101
- D664,747 S * 8/2012 Ma D2/917
- 2011/0099840 A1 * 5/2011 Aveni A43B 3/103
36/11.5

* cited by examiner

Primary Examiner — Holly H Baynham

Assistant Examiner — Rashida C. Walshon

(74) *Attorney, Agent, or Firm* — Fishman Stewart PLLC

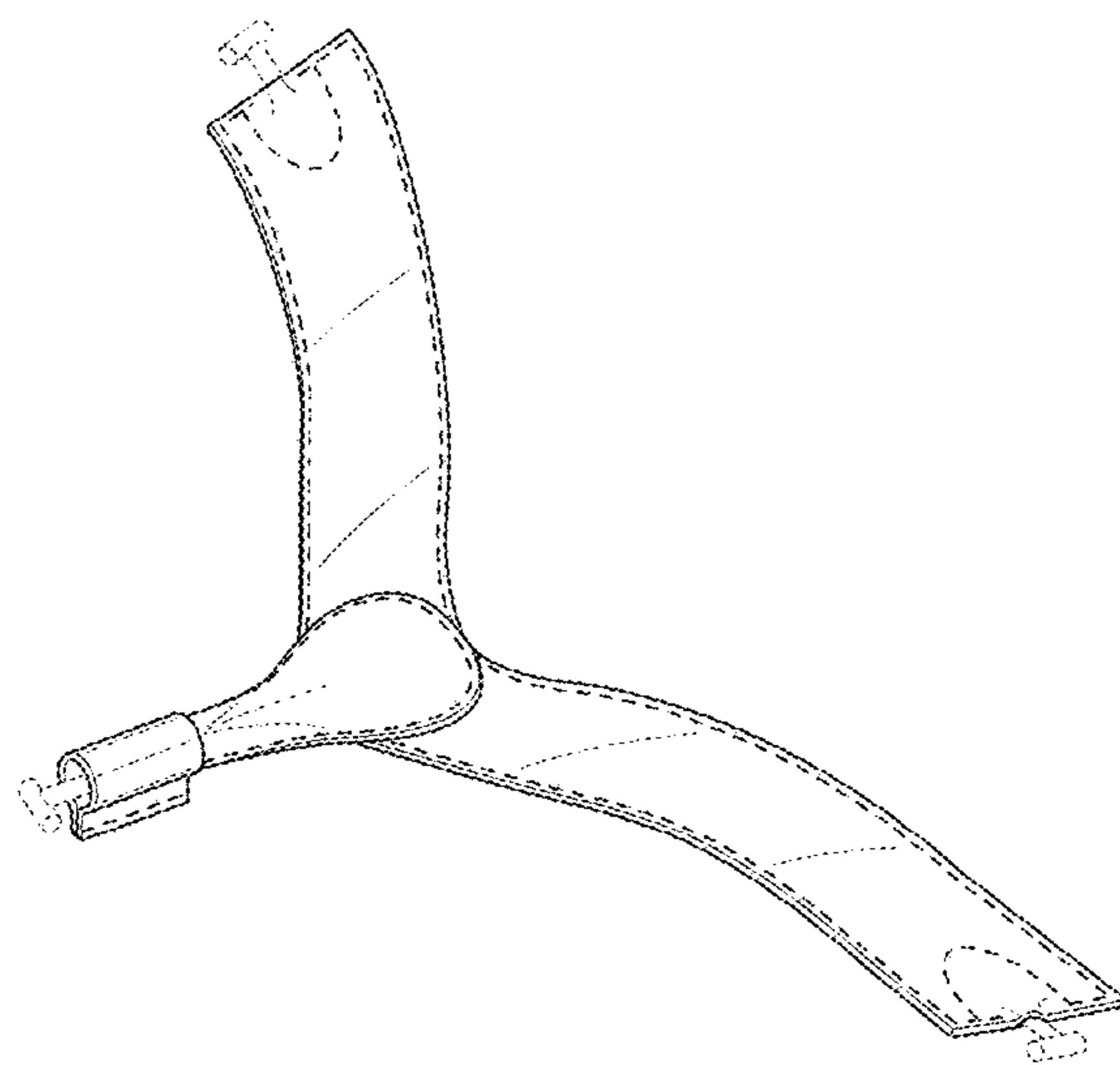
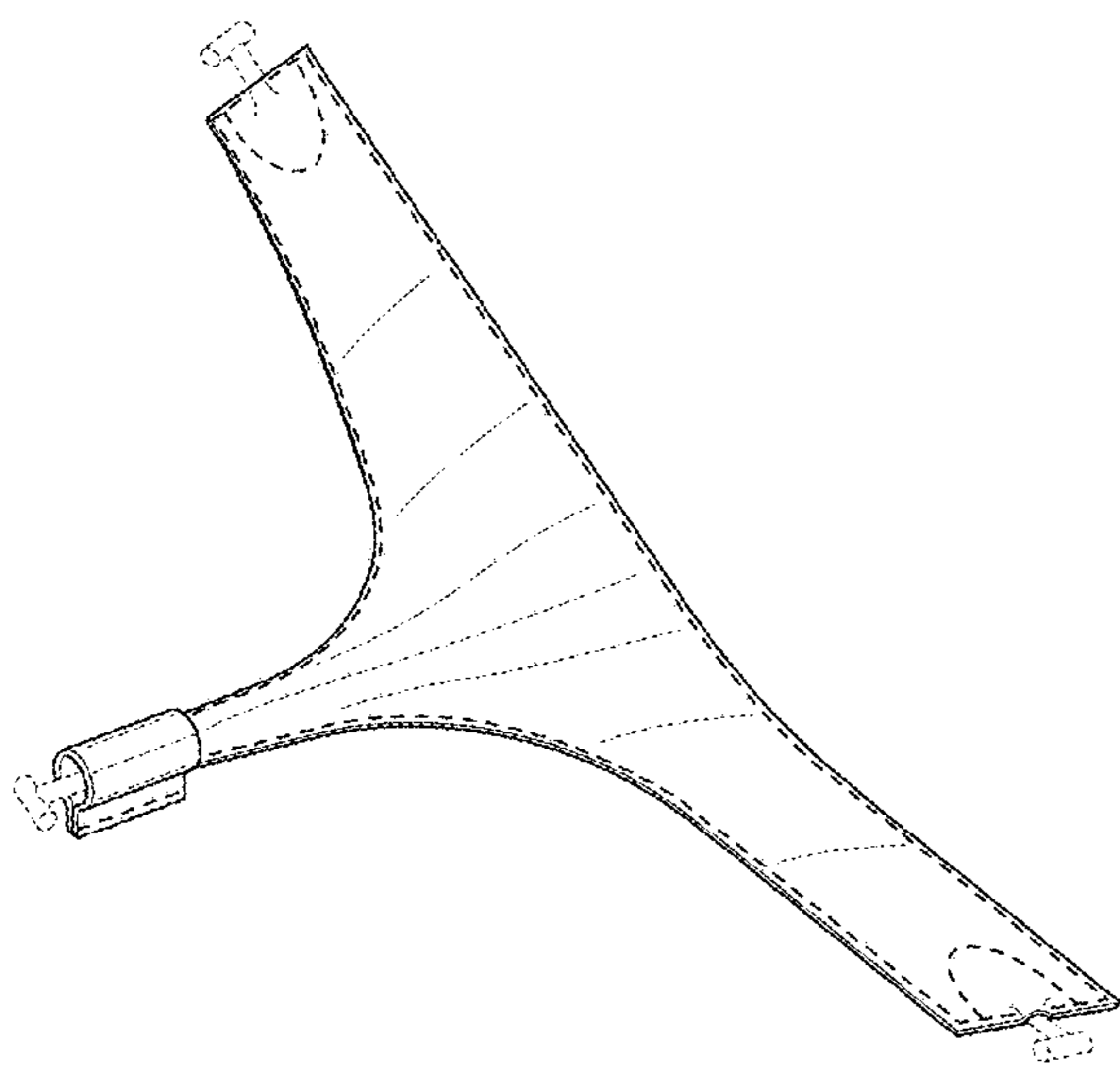
(57) **CLAIM**

The ornamental design for a footwear restraint system, as shown and described.

DESCRIPTION

FIG. 1 is a perspective view of the first embodiment of a footwear restraint system in the installed position. FIG. 2 is a top perspective view of a first embodiment; FIG. 3 is a bottom perspective view of a first embodiment; FIG. 4 is a front view of a first embodiment; FIG. 5 is a rear view of a first embodiment; FIG. 6 is a top view of a first embodiment; FIG. 7 is a bottom view of a first embodiment; FIG. 8 is a side view of a first embodiment; FIG. 9 is a top perspective view of a second embodiment, which correlates to FIG. 2 of the first embodiment; and, FIG. 10 is a bottom perspective view of a second embodiment, which correlates to FIG. 3 of the first embodiment. The thick broken lines represents unclaimed stitching and the light broken lines forming the strap connectors are unclaimed subject matter.

1 Claim, 7 Drawing Sheets



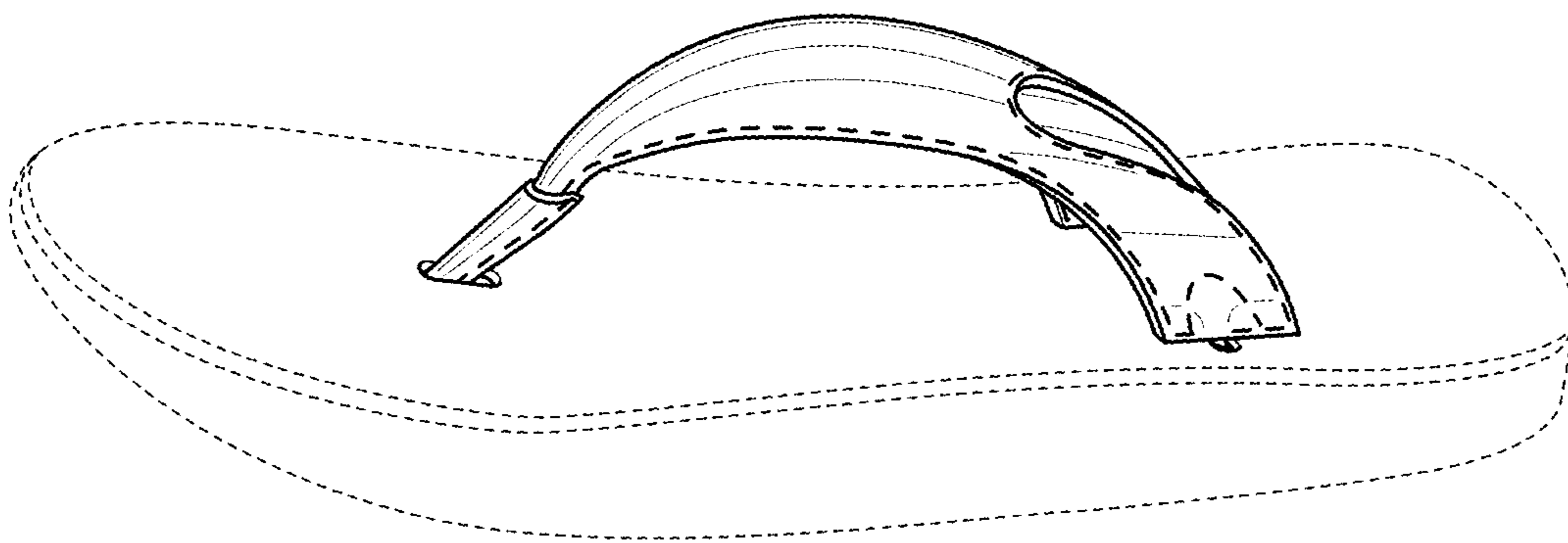


FIG. 1

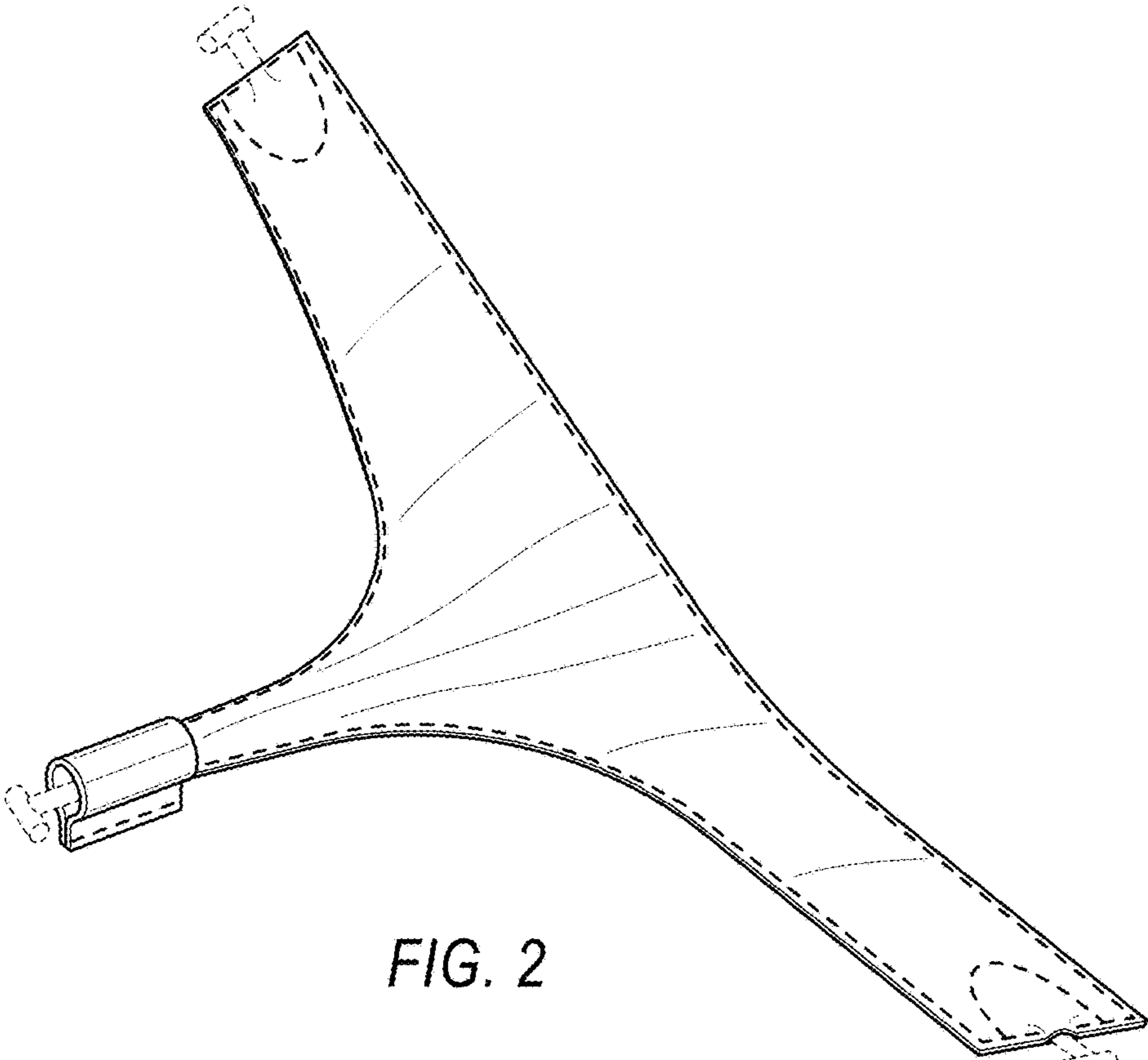


FIG. 2

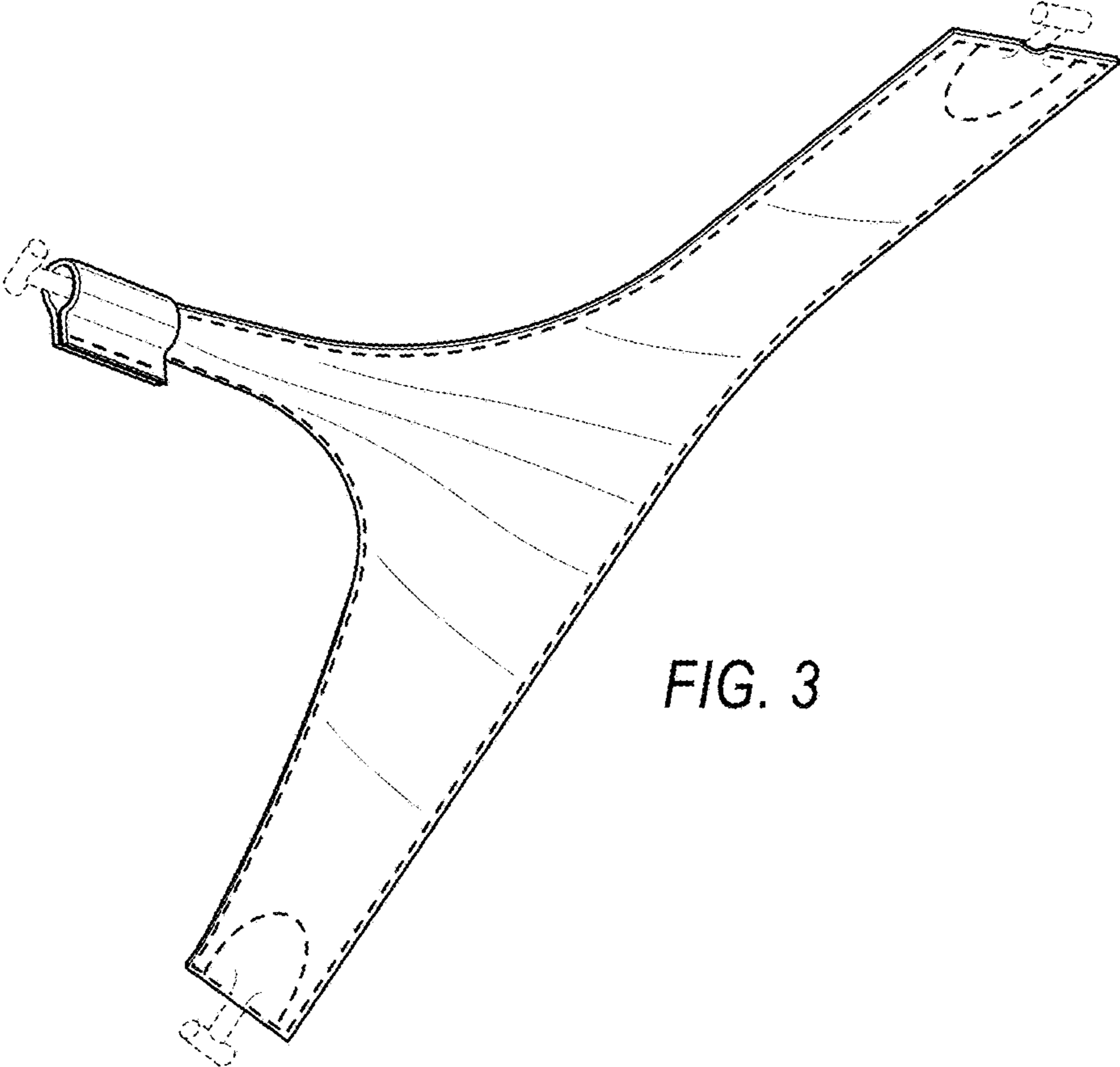


FIG. 3

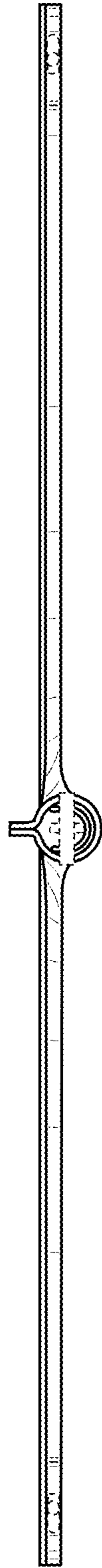


FIG. 4

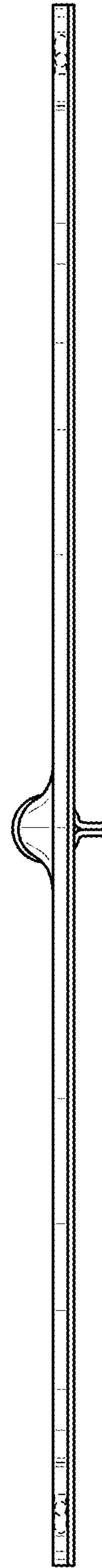


FIG. 5

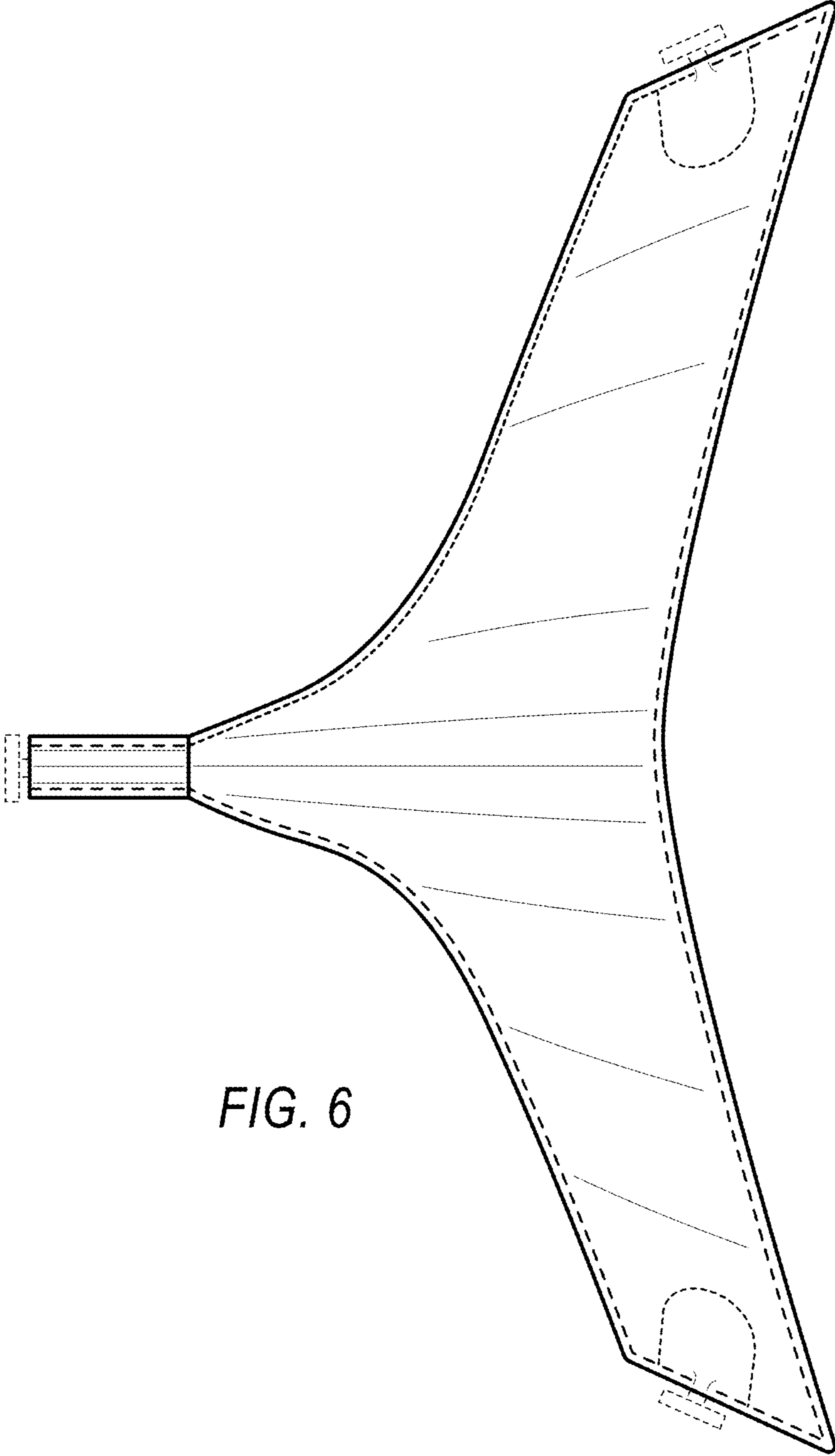


FIG. 6

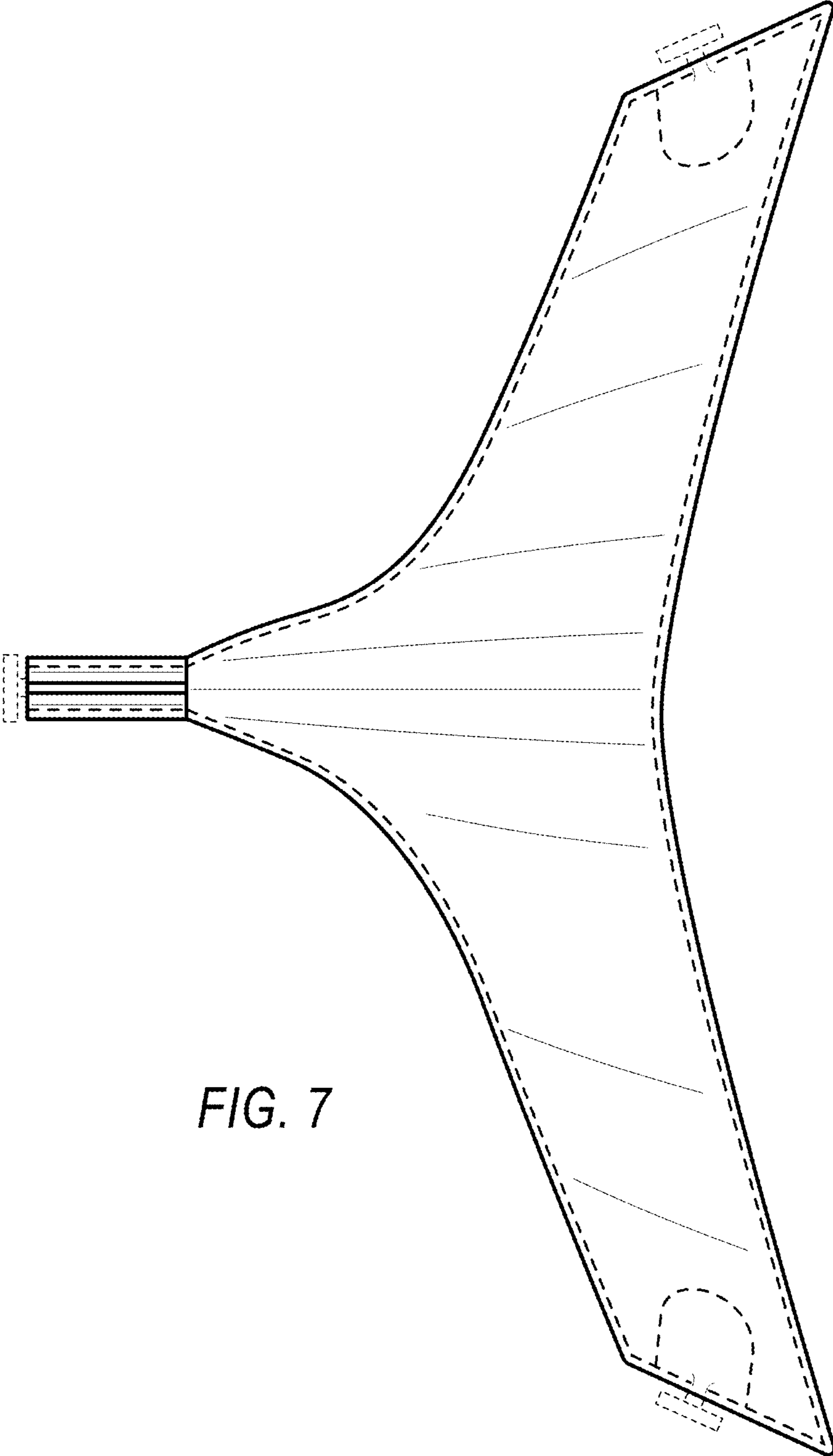


FIG. 7

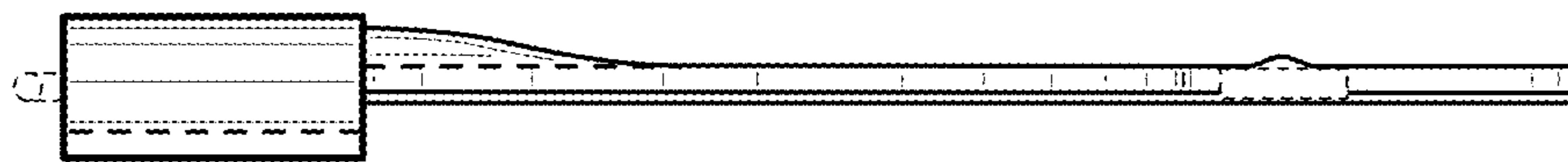


FIG. 8

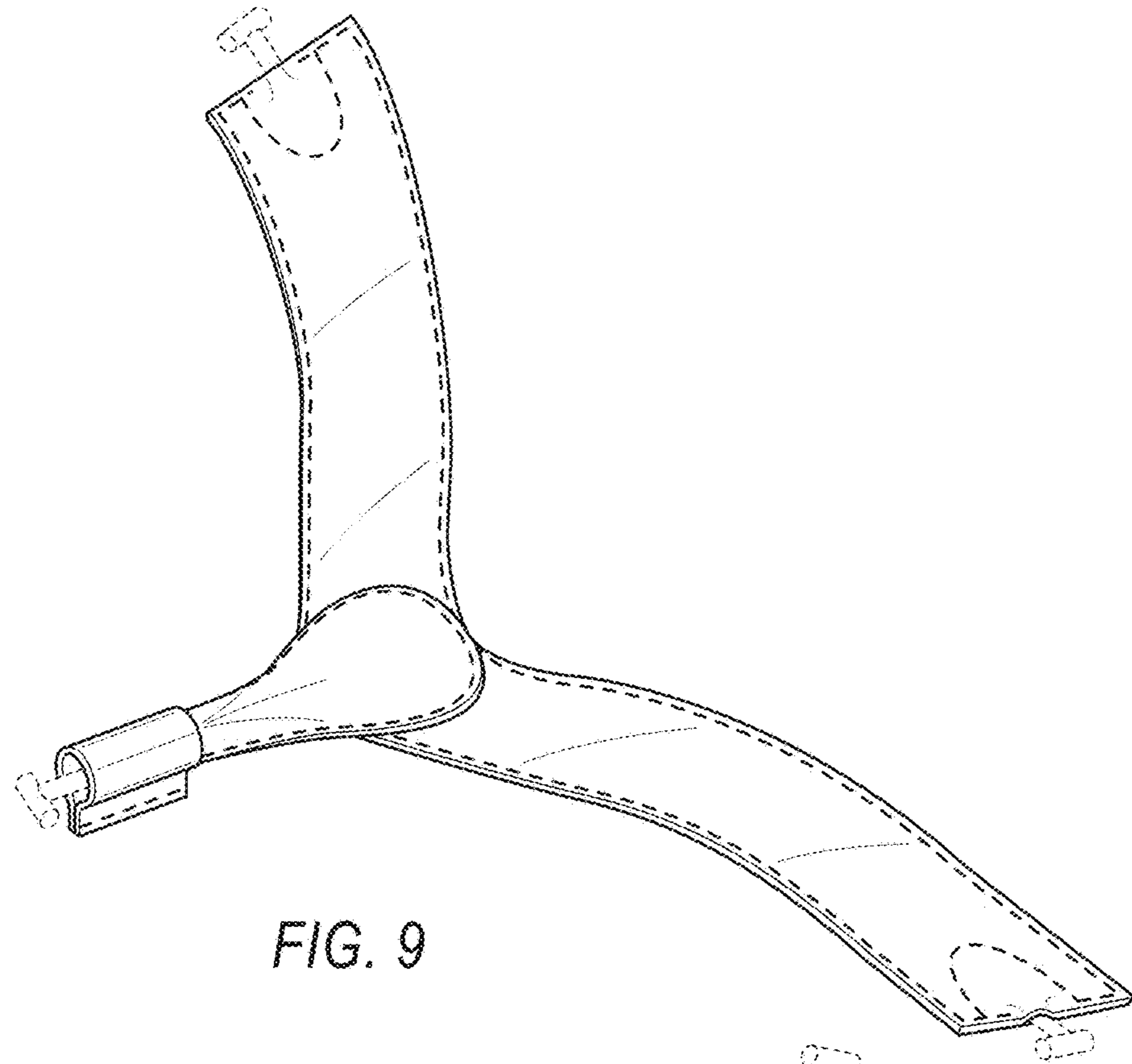


FIG. 9

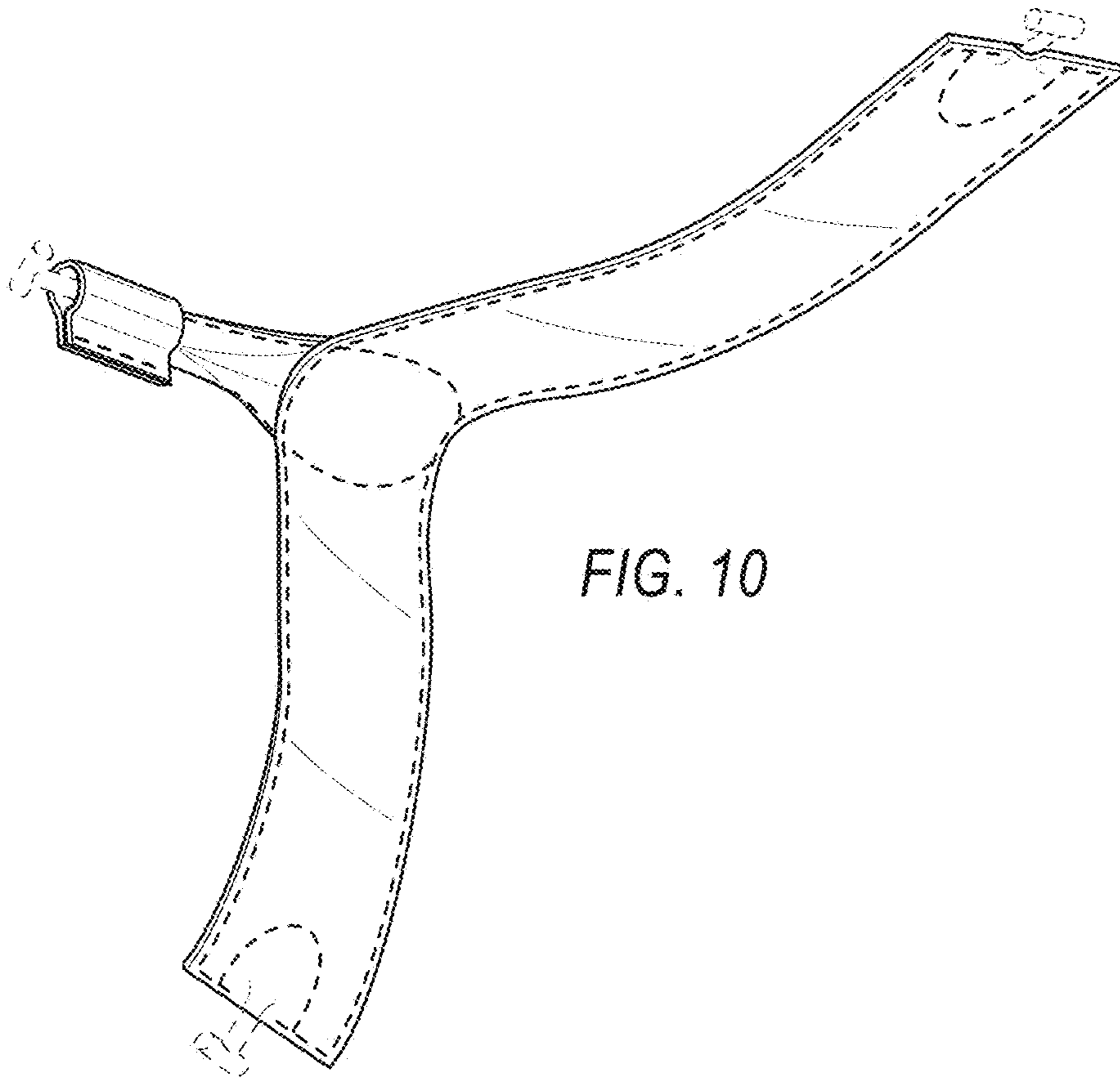


FIG. 10