



US00D818669S

(12) **United States Design Patent**
Buxton

(10) **Patent No.:** **US D818,669 S**

(45) **Date of Patent:** **** May 29, 2018**

(54) **SWIMSUIT**

(71) Applicant: **Sarah G. Buxton**, Sherman Oaks, CA
(US)

(72) Inventor: **Sarah G. Buxton**, Sherman Oaks, CA
(US)

(**) Term: **15 Years**

(21) Appl. No.: **29/584,635**

(22) Filed: **Nov. 16, 2016**

(51) **LOC (11) Cl.** **02-02**

(52) **U.S. Cl.**

USPC **D2/732; D2/731**

(58) **Field of Classification Search**

USPC D2/731, 732, 733, 735, 736, 737, 738,
D2/614, 623, 828, 829, 831, 836, 839,
D2/850, 857, 858, 864, 717, 720, 750,
D2/830, 833, 834, 853, 759, 760, 769,
D2/771, 774, 779, 780, 782, 786, 791,
D2/812, 820, 840; 2/462, 463

CPC A41D 1/02; A41D 1/04; A41D 13/0012;
A41D 13/01; A41D 2300/50; A41D
2400/38; A41D 2600/10; A41D 13/00;
A41D 13/0002; A41D 13/0005; A41D
13/0015; A41D 27/12; A41D 27/14;
A41D 13/015; A41D 13/05; B63C 11/04;
B63C 2011/043; B63C 2011/046; B63C
11/08; A63B 71/12; A63B 2071/1208;
A41B 1/08

See application file for complete search history.

(56) **References Cited**

U.S. PATENT DOCUMENTS

D240,670 S * 7/1976 Gerwurz D2/732
D277,111 S * 1/1985 Gordon D2/739
D341,919 S * 12/1993 Grimes D2/717
D409,819 S * 5/1999 Gilchrist D2/728
D477,126 S * 7/2003 Dunning D2/831

D481,193 S * 10/2003 Chen D2/731
7,200,872 B2 * 4/2007 Gregory A41D 13/08
2/162
D641,956 S * 7/2011 Cornell D2/714
8,082,595 B2 * 12/2011 Nordstrom A41D 7/00
2/67
8,572,763 B2 * 11/2013 Fitzpatrick A41D 15/005
2/85
D732,270 S * 6/2015 Murphy D2/717
D763,550 S * 8/2016 Martz D2/749

(Continued)

Primary Examiner — Vy N Koenig

Assistant Examiner — Kimberly Barnes

(74) *Attorney, Agent, or Firm* — Dunlap Bennett &
Ludwig PLLC

(57) **CLAIM**

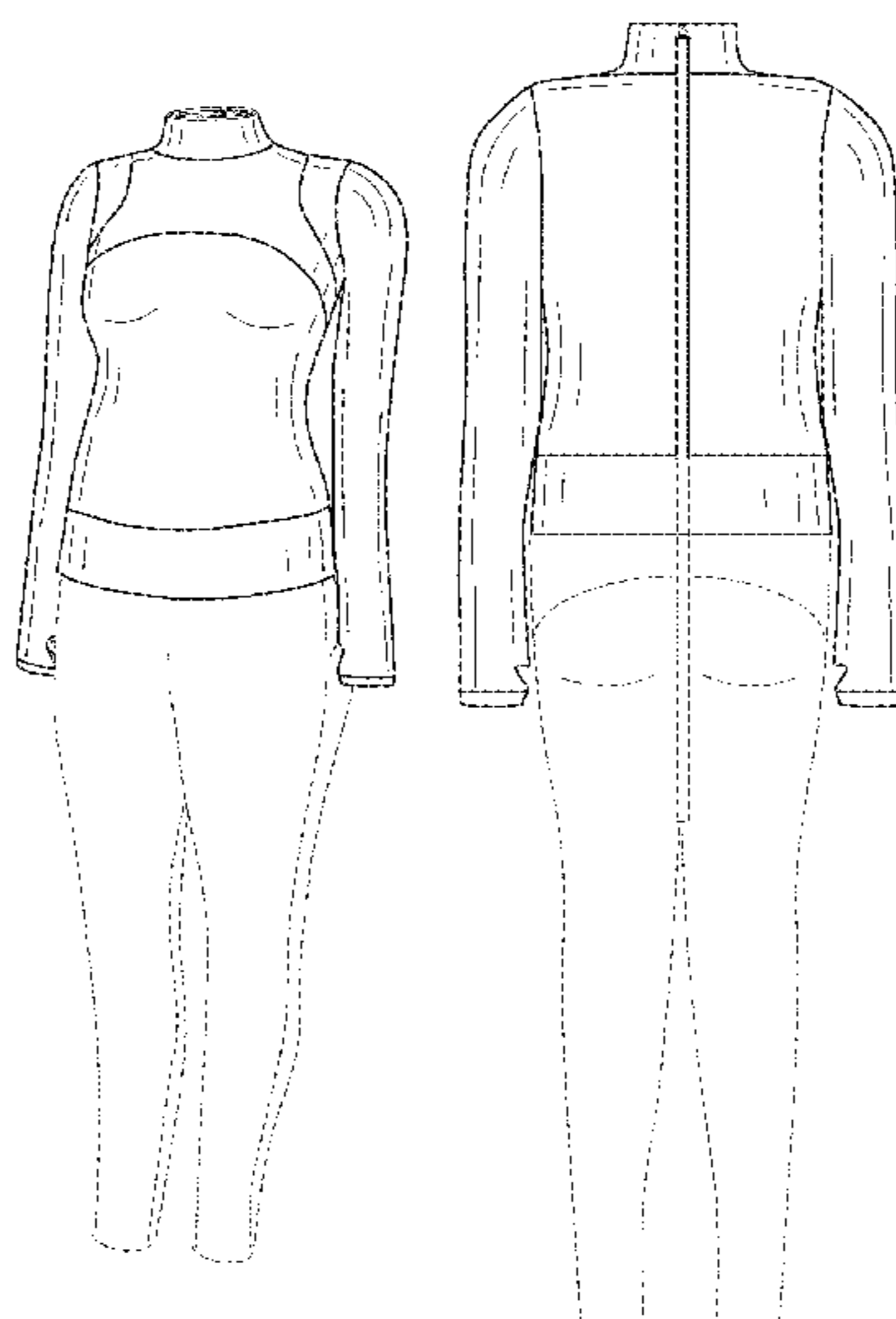
The ornamental design for a swimsuit, as shown and described.

DESCRIPTION

FIG. 1 is a front perspective view of a swimsuit, showing my new design in a position of use;
FIG. 2 is a another front perspective view of the swimsuit, showing an alternate position;
FIG. 3 is a front elevation view of FIG. 2;
FIG. 4 is a rear elevation view of FIG. 2;
FIG. 5 is a left elevation view of FIG. 2, the right elevation view being a mirror image thereof;
FIG. 6 is a top plan view of FIG. 2; and,
FIG. 7 is a bottom plan view of FIG. 2.

The evenly dashed broken lines showing a wearer and items that the wearer is holding depict environmental subject matter that forms no part of the claimed design, while the remaining evenly dashed broken lines shown in the drawings depict portions of the swimsuit that form no part of the claimed design. The uneven dash-dot-dash broken lines represent the boundary of the claimed design, and it is understood that the claim extends to the boundary that forms no part of the claimed design.

1 Claim, 4 Drawing Sheets



(56)

References Cited

U.S. PATENT DOCUMENTS

D770,731 S * 11/2016 Norman D2/831
D777,402 S * 1/2017 Borovicka D2/731
9,549,576 B2 * 1/2017 Conolly A63B 21/00181
D783,935 S * 4/2017 Lomax D2/731
D785,290 S * 5/2017 Brandon D2/732
D793,034 S * 8/2017 Holder D2/831
D799,155 S * 10/2017 Jeremy D2/731
D801,636 S * 11/2017 Henry D2/731
2005/0155128 A1 * 7/2005 Hayes A41D 13/0005
2/2.15
2011/0302686 A1 * 12/2011 Chapuis A41D 13/0015
2/69
2016/0249698 A1 * 9/2016 Berzowska A41D 1/002
2/69

* cited by examiner

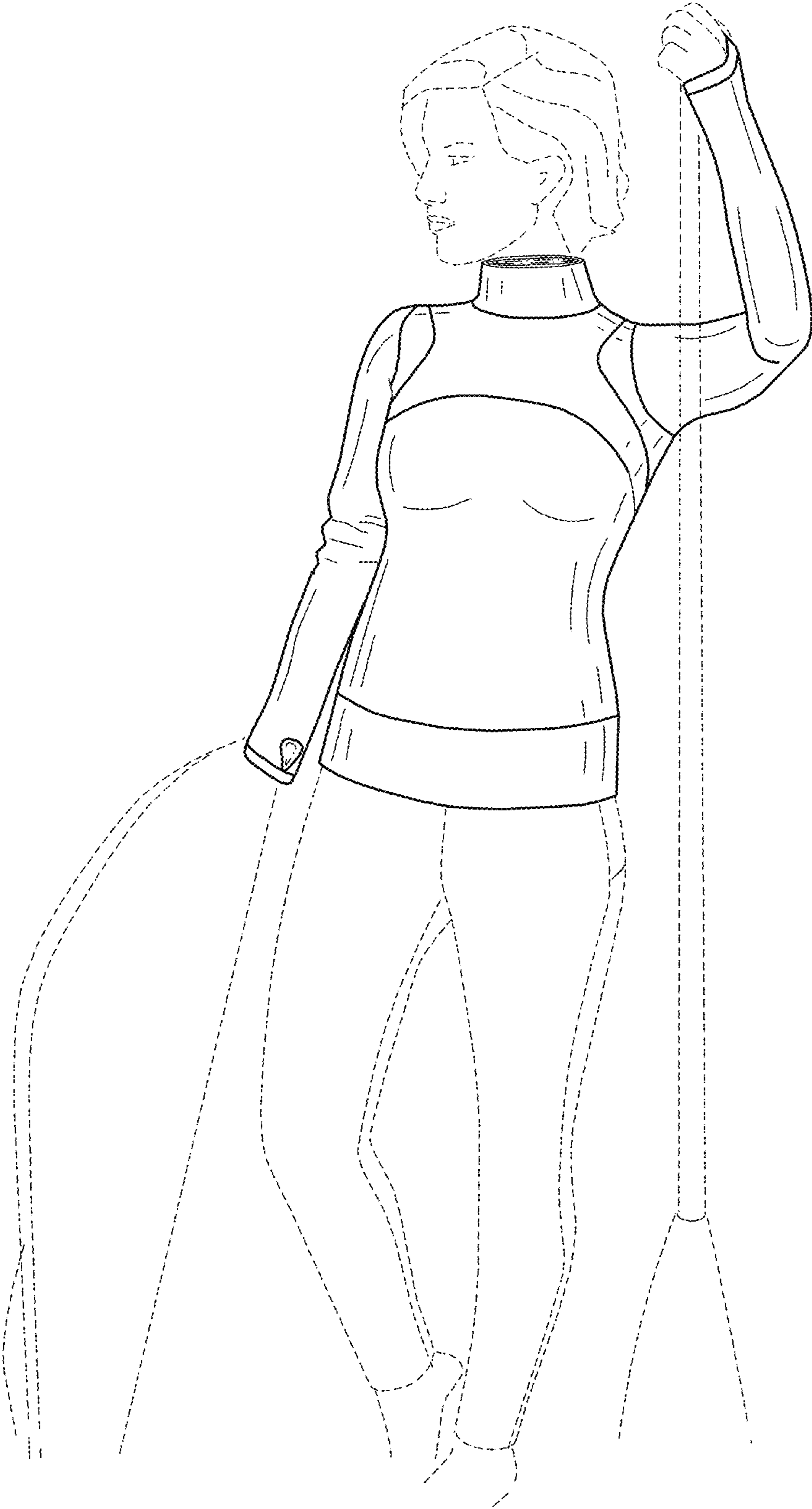


FIG. 1

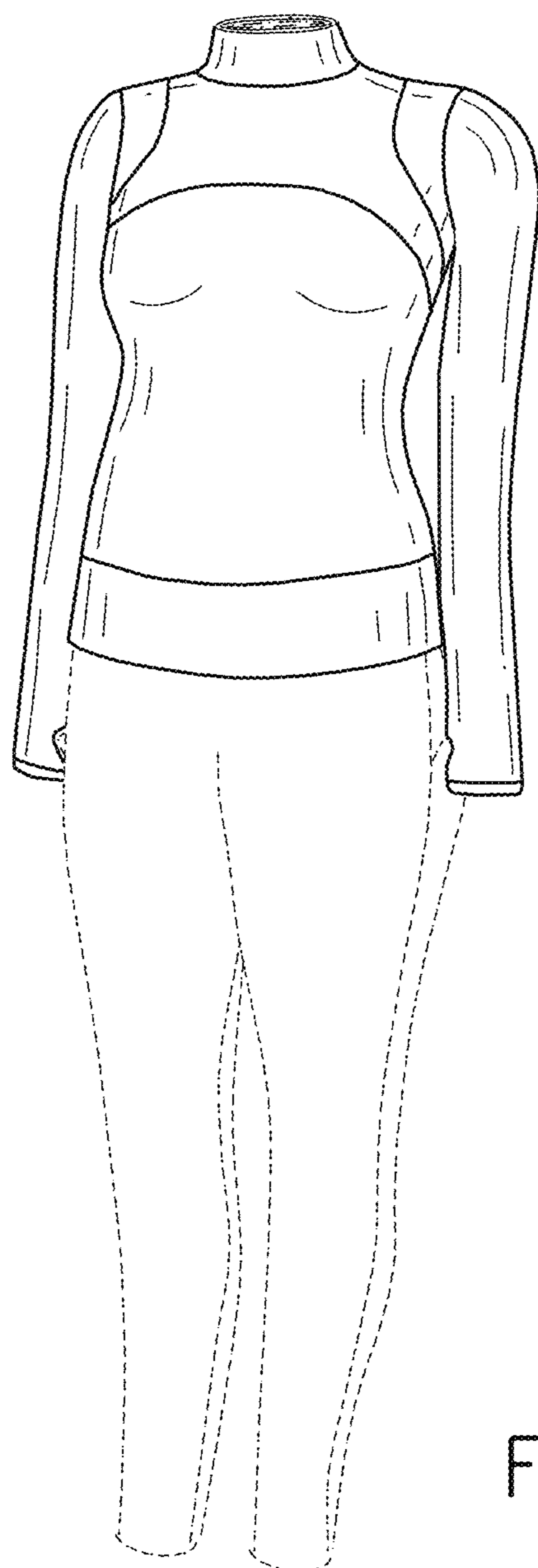


FIG. 2

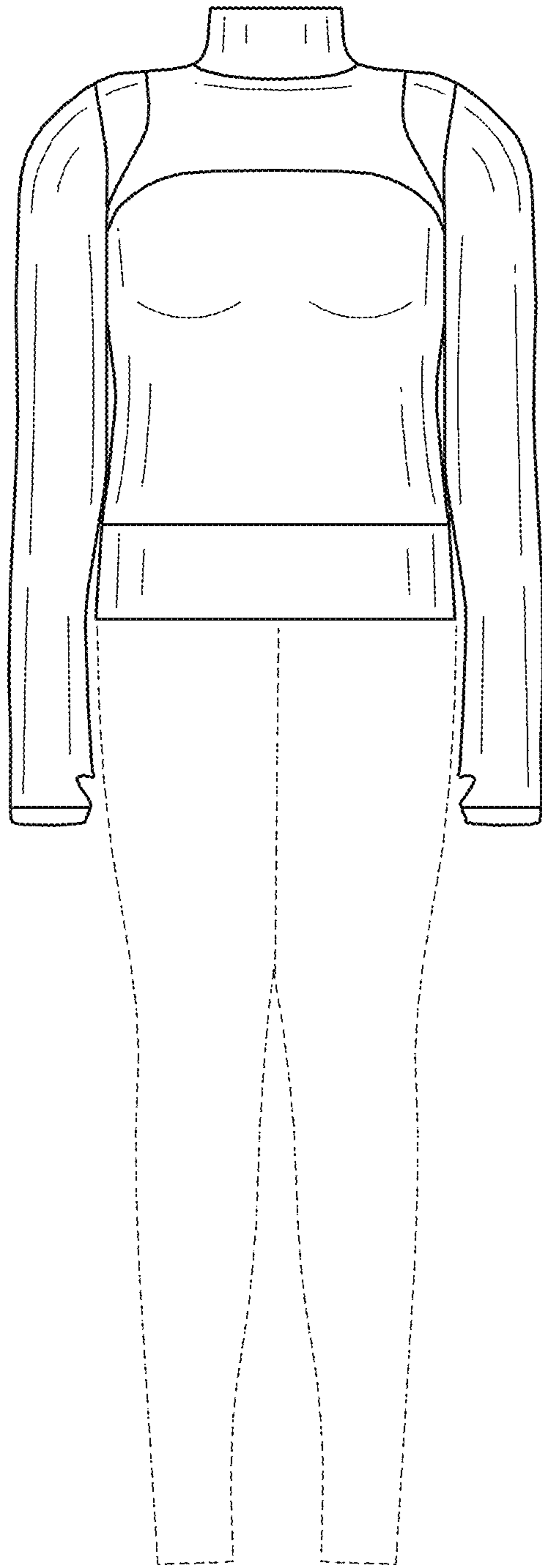


FIG. 3

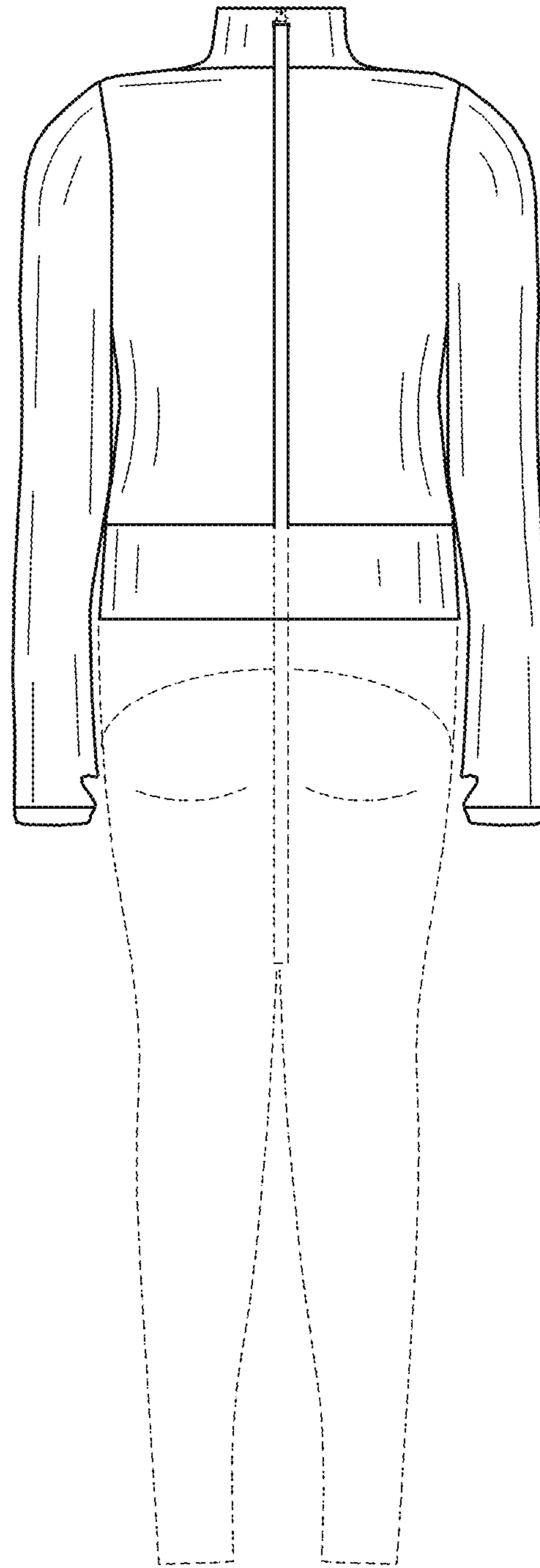


FIG. 4

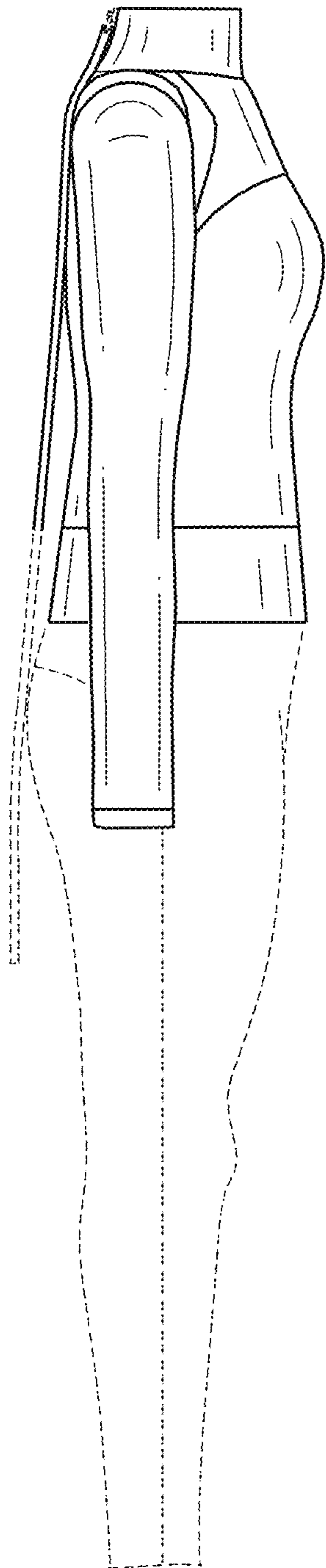


FIG. 5

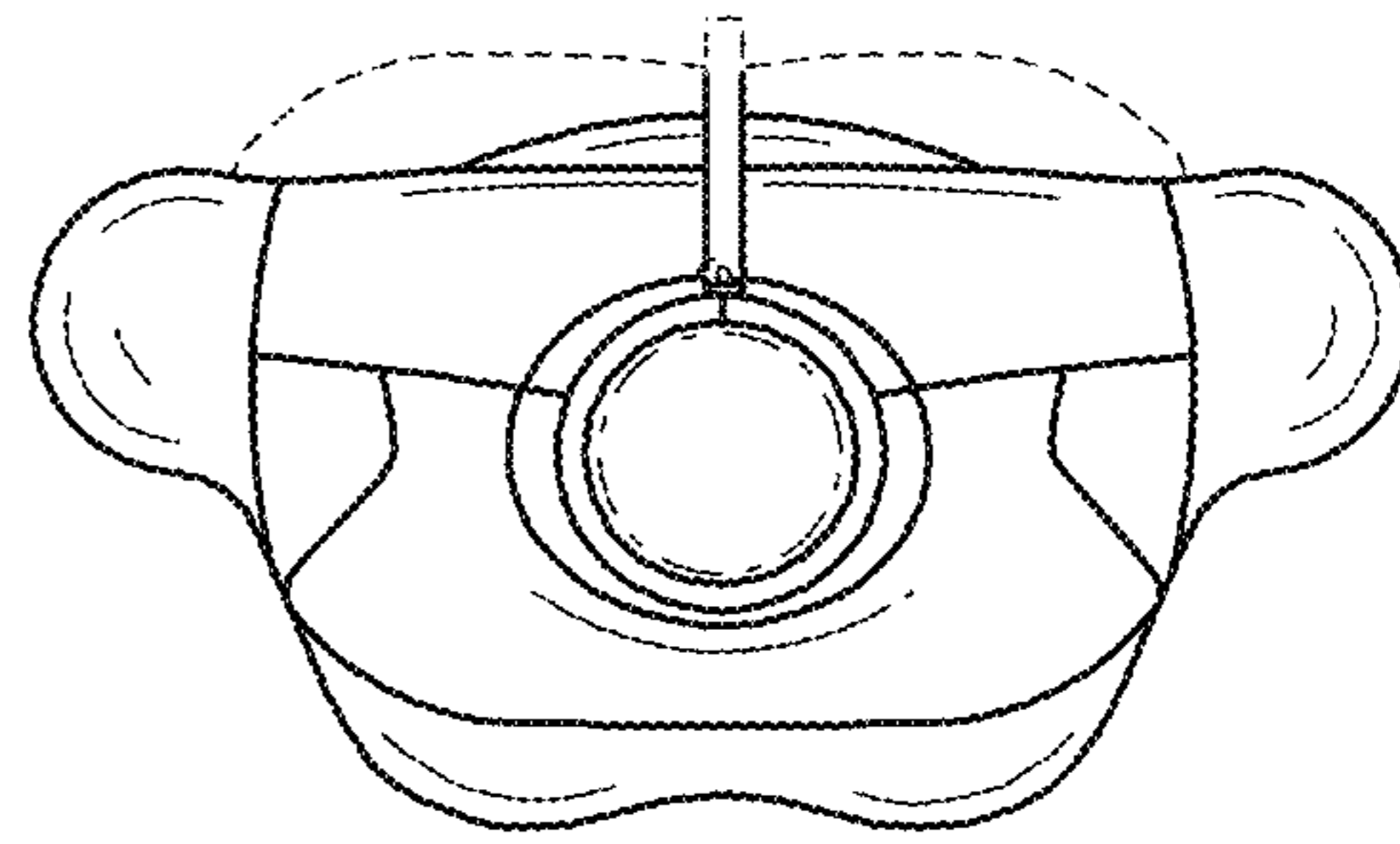


FIG. 6

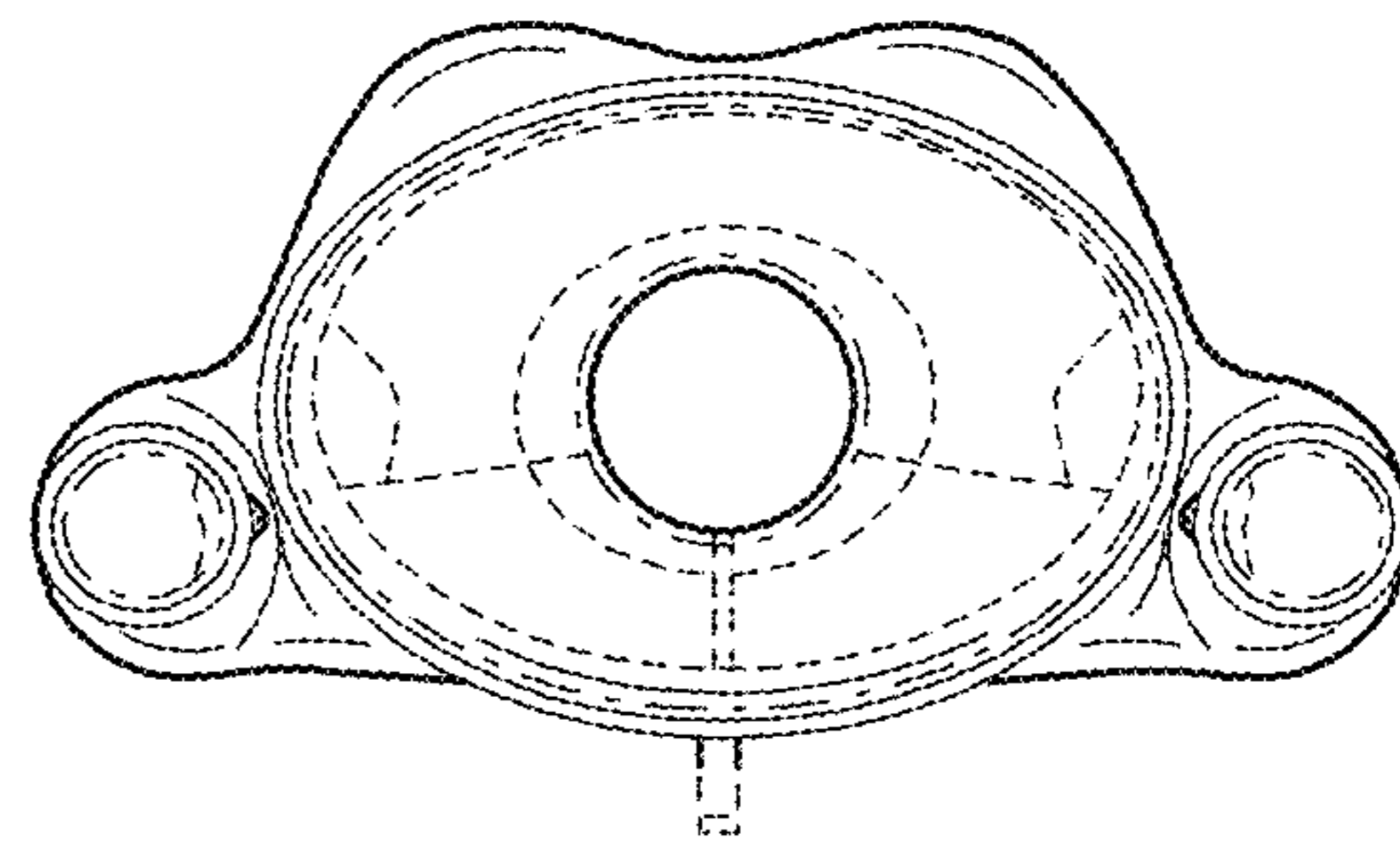


FIG. 7