



US00D818668S

(12) **United States Design Patent** (10) **Patent No.:** **US D818,668 S**  
**Scherr et al.** (45) **Date of Patent:** **\*\* May 29, 2018**

(54) **PROTECTIVE GARMENT**  
(71) Applicant: **ASS ARMOR, LLC**, Boca Raton, FL (US)  
(72) Inventors: **Casey Scherr**, Boca Raton, FL (US);  
**Ira Rothbaum**, Closter, NJ (US);  
**Erika J. Olshin**, New York, NY (US);  
**Matthew Edwards**, Tonbridge (GB)  
(73) Assignee: **Ass Armor, LLC**, Boca Raton, FL (US)  
(\*\*) Term: **15 Years**  
(21) Appl. No.: **29/542,978**  
(22) Filed: **Oct. 20, 2015**

**Related U.S. Application Data**

(63) Continuation of application No. 29/479,824, filed on Jan. 21, 2014, now Pat. No. Des. 741,045.  
(51) **LOC (11) Cl.** ..... **02-02**  
(52) **U.S. Cl.**  
USPC ..... **D2/731**  
(58) **Field of Classification Search**  
USPC ..... D2/716, 731-738, 705  
CPC ..... A41D 13/0506; A41D 1/08; A41D 1/084;  
A41D 13/015; A41D 13/0156; A41D  
13/0525; A41D 13/0537; A41D 13/0587;  
F41H 1/02  
See application file for complete search history.

**References Cited**

**U.S. PATENT DOCUMENTS**

5,497,511 A \* 3/1996 Zade ..... A41D 13/015  
2/22  
5,551,082 A \* 9/1996 Stewart ..... A41D 1/08  
2/227  
D464,521 S \* 10/2002 Graves ..... D6/601  
6,961,958 B1 \* 11/2005 Seitzinger ..... A41D 13/0525  
2/2.5  
9,243,872 B2 \* 1/2016 Crye ..... A42B 3/085

9,364,034 B2 \* 6/2016 Best ..... A41D 13/0005  
9,398,779 B2 \* 7/2016 Turner ..... A41D 13/0156  
2009/0320174 A1 \* 12/2009 Turner ..... A41D 13/0506  
2/69  
2016/0183608 A1 \* 6/2016 Scherr ..... A41D 13/0537  
2/455  
2016/0192714 A1 \* 7/2016 Williams ..... A41B 9/12  
2/455

(Continued)

**OTHER PUBLICATIONS**

Triple Eight Amazon. Amazon.com. [online][published Sep. 19, 2013][accessed May 9, 2017]. URL:<<https://www.amazon.com/Triple-Eight-Roller-Derby-Bumsaver/dp/B0091PAYUG>>.\*

(Continued)

*Primary Examiner* — Rosemary K Tarcza

*Assistant Examiner* — Nathaniel D. Buckner

(74) *Attorney, Agent, or Firm* — Fish & Richardson P.C.

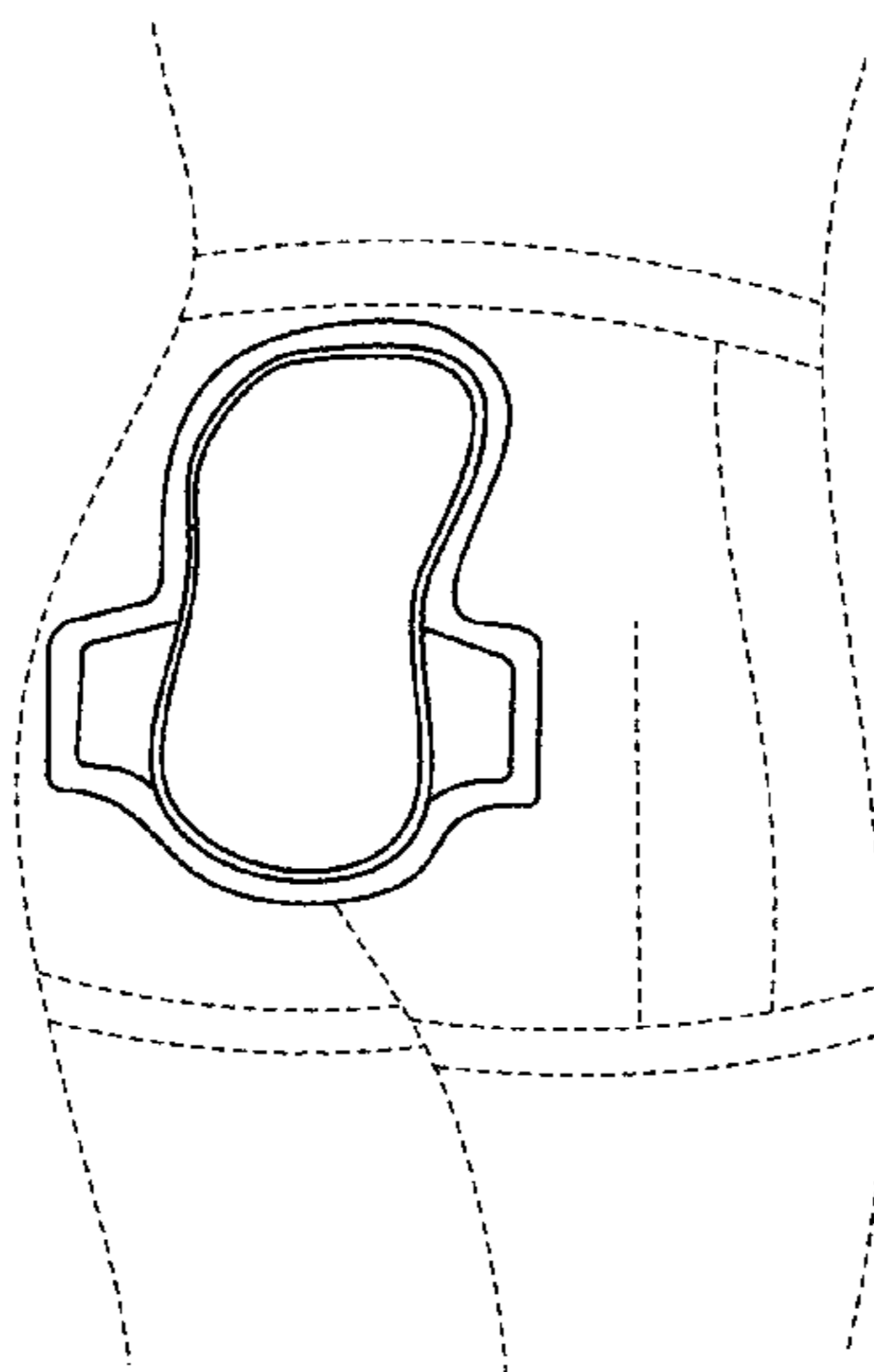
(57) **CLAIM**

The ornamental design for a protective garment, as shown and described.

**DESCRIPTION**

FIG. 1 is a front view illustrating my design for a protective garment;  
FIG. 2 is a rear view thereof;  
FIG. 3 is a rear view of one embodiment thereof with surface treatment presented in broken lines;  
FIG. 4 is a left side view thereof, the right side view being a mirror image of the left side view;  
FIG. 5 is a bottom view thereof; and,  
FIG. 6 is a rear perspective view thereof, shown in an environment of use.  
The broken lines in the figures represent portions of the article which form no part of the claim.

**1 Claim, 4 Drawing Sheets**



(56)

**References Cited**

U.S. PATENT DOCUMENTS

2016/0295931 A1\* 10/2016 Tsuei ..... A41D 1/084  
2016/0317898 A1\* 11/2016 Wyner ..... A63B 71/08

OTHER PUBLICATIONS

XSports TV: Triple 8. Youtube.com.[online][published Aug. 28, 2011][accessed May 15, 2017]. URL: <<https://www.youtube.com/watch?v=RpGGfPtCHJY>>.\*

\* cited by examiner

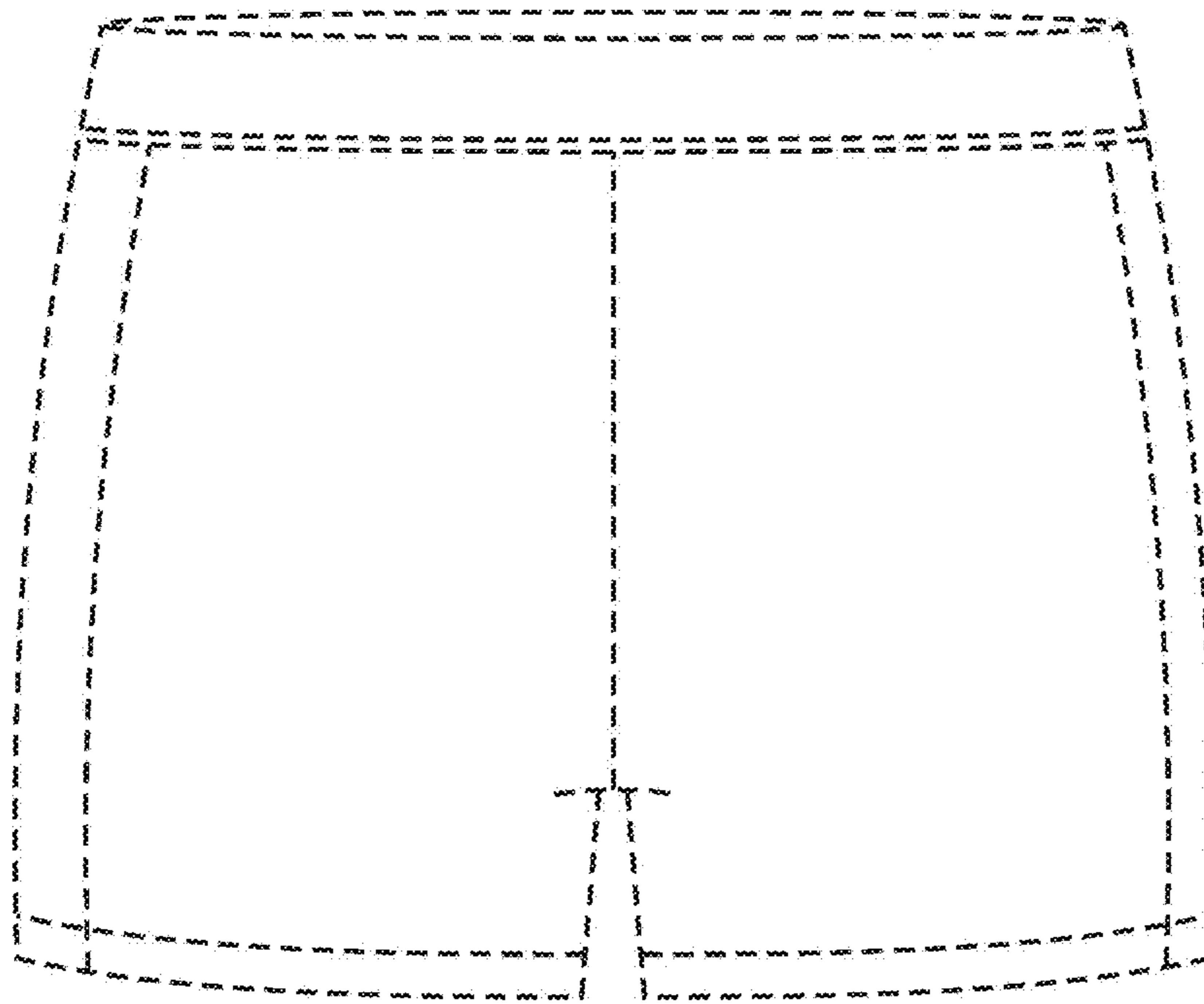


FIG. 1

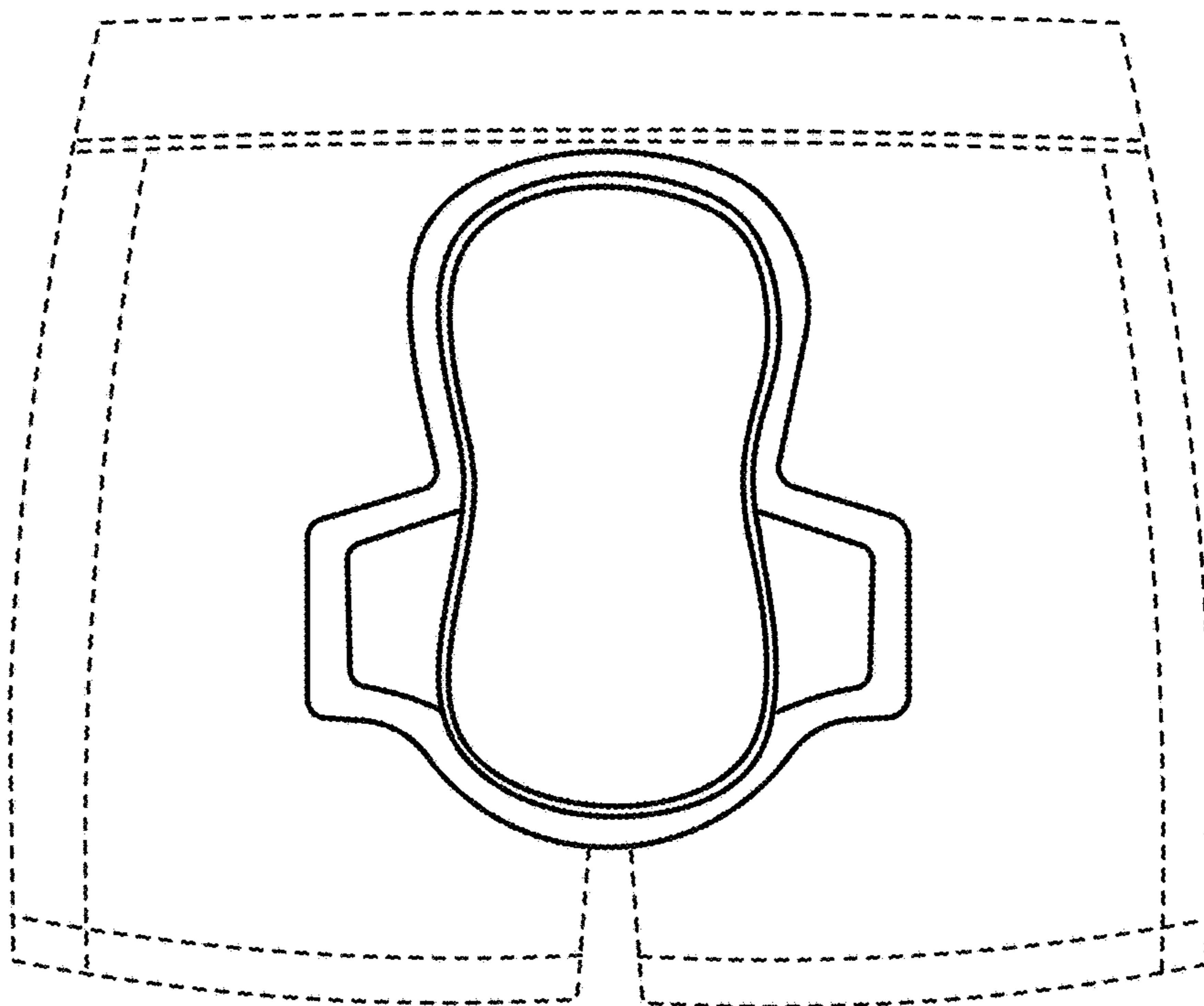


FIG. 2

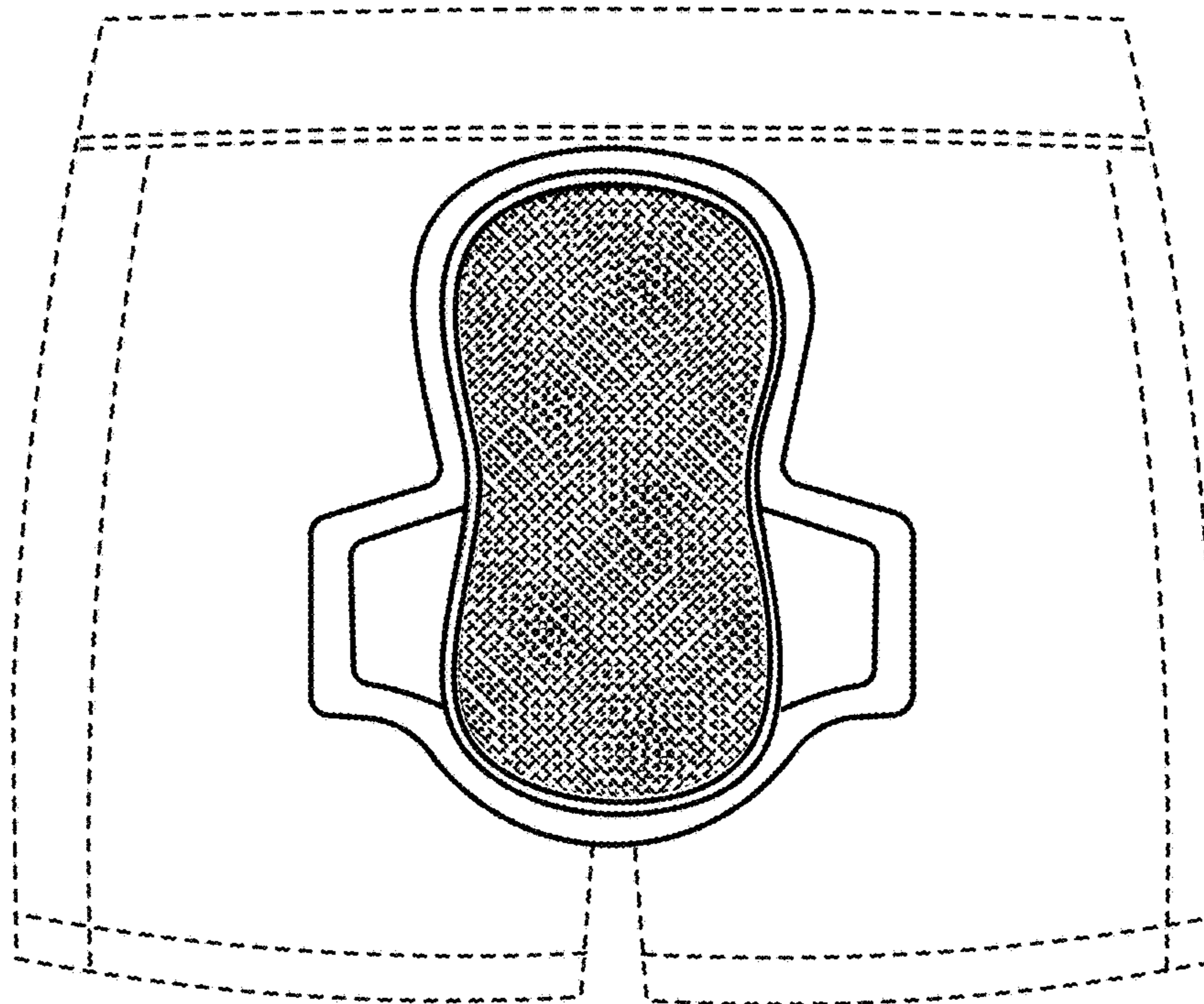


FIG. 3

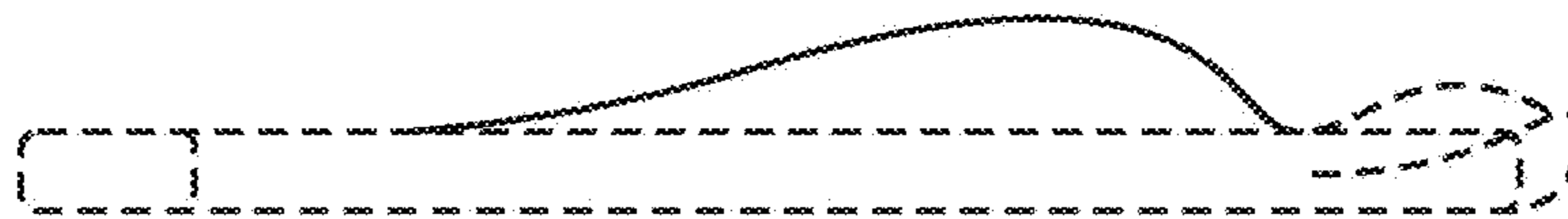


FIG. 4

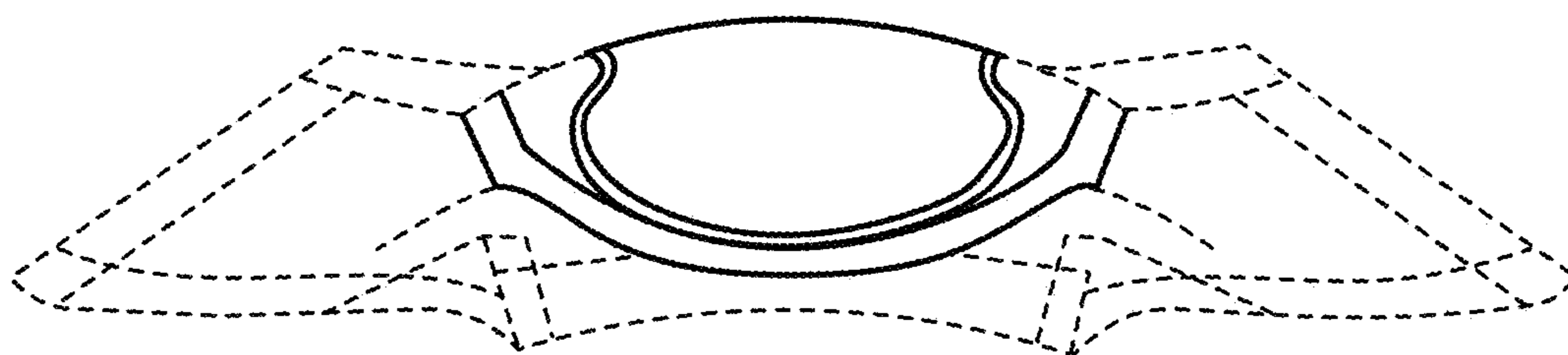


FIG. 5

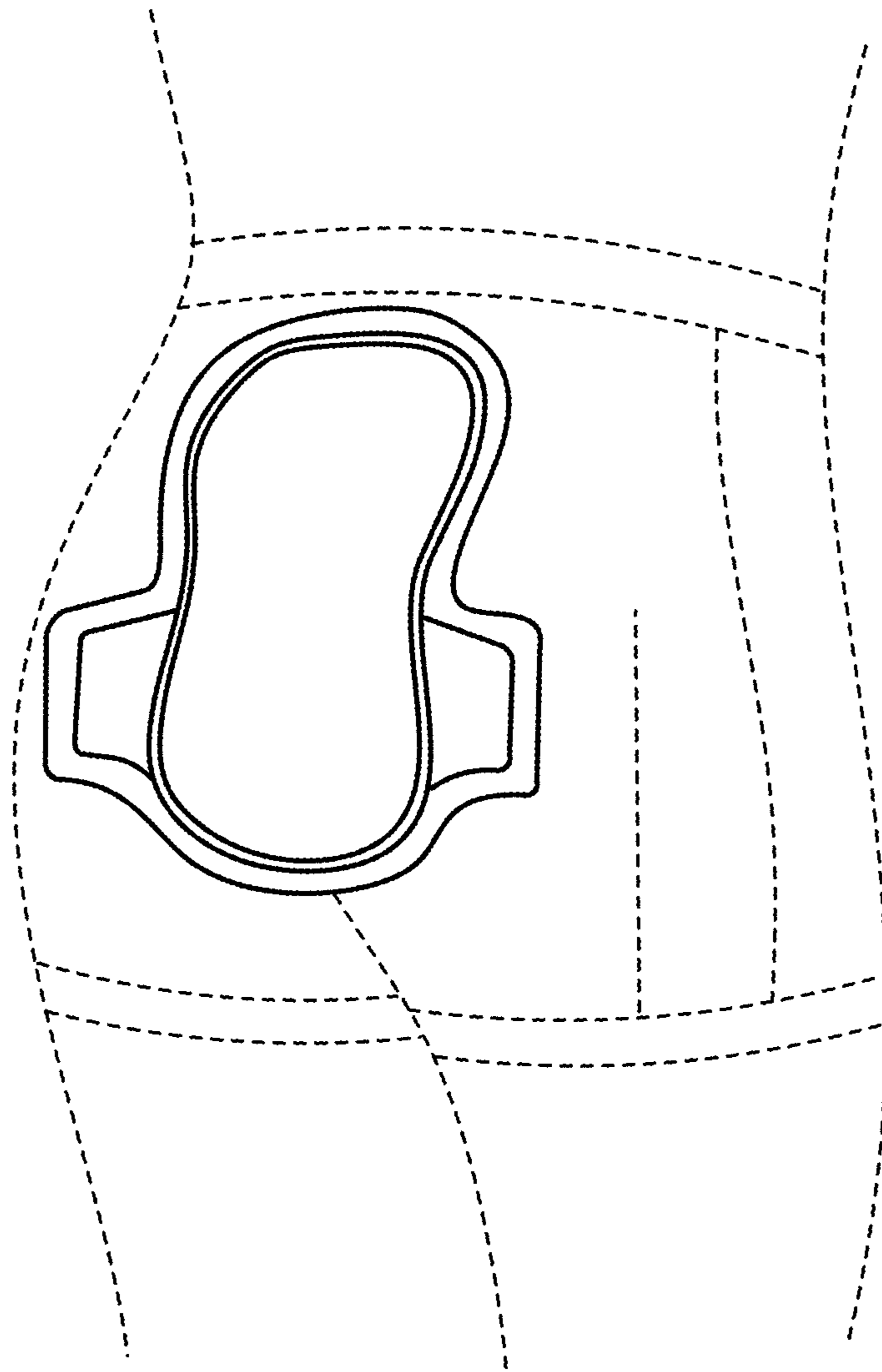


FIG. 6