



US00D818662S

(12) **United States Design Patent** (10) **Patent No.:** **US D818,662 S**
Isidore (45) **Date of Patent:** **** May 22, 2018**

(54) **INCLINED DISH RACK**
(71) Applicant: **Martin Isidore**, Kissimmee, FL (US)
(72) Inventor: **Martin Isidore**, Kissimmee, FL (US)
(**) Term: **15 Years**
(21) Appl. No.: **29/589,009**
(22) Filed: **Dec. 27, 2016**
(51) **LOC (11) Cl.** **07-05**
(52) **U.S. Cl.**
USPC **D32/55**
(58) **Field of Classification Search**
USPC D32/55, 276, 3; D6/510, 525; D30/133;
211/41.5, 41.4, 41.3, 41.8; 361/679.4;
312/311, 333, 334.4; D7/354, 629
CPC .. A47L 15/505; A47L 15/503; A47L 15/0013;
A47L 19/02; A47L 19/04; A47J 47/20
See application file for complete search history.

D520,699 S * 5/2006 Yang D32/55
D526,454 S * 8/2006 Plikuhn D3/306
D555,311 S * 11/2007 Yang D32/55
D581,619 S * 11/2008 Yang D32/55
D599,067 S * 8/2009 Yang D32/55
D601,768 S * 10/2009 Moon D32/53.1
D647,678 S * 10/2011 Yang D32/55
D690,069 S * 9/2013 Sofy D32/55
D693,081 S * 11/2013 Yang D32/55
D699,413 S * 2/2014 Huang D32/55
D714,508 S * 9/2014 Joy D32/55
D750,337 S * 2/2016 Duvigneau D32/55
D757,384 S * 5/2016 Duvigneau D32/55
D783,216 S * 4/2017 Huang D32/55
2012/0138550 A1 6/2012 Wisniewski

FOREIGN PATENT DOCUMENTS

WO 200707 0557 A2 6/2007

* cited by examiner

Primary Examiner — Austin Murphy

(57) **CLAIM**

I claim the ornamental design for an inclined dish rack, as shown and described.

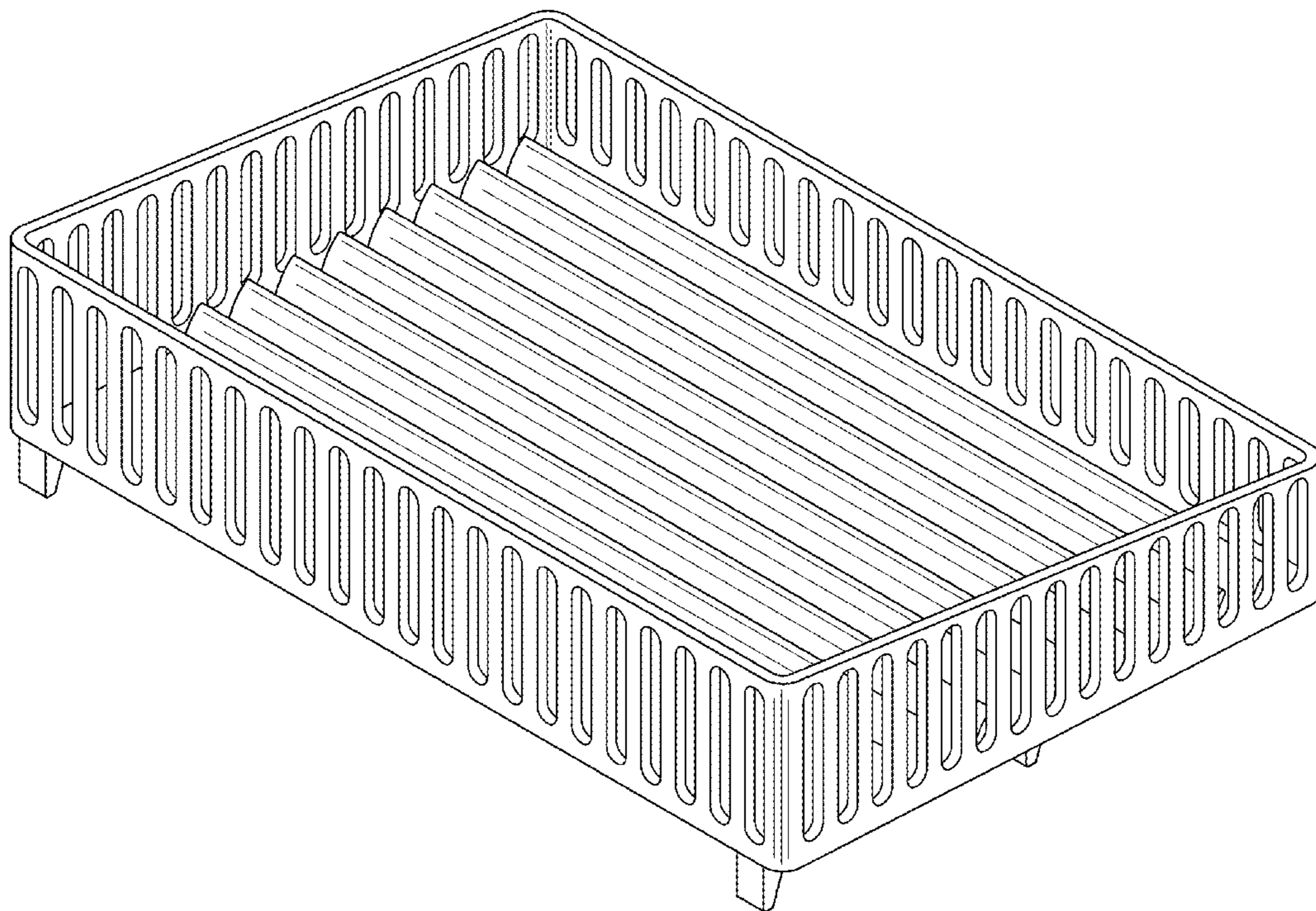
DESCRIPTION

FIG. 1 is a front view of the inclined dish rack.
FIG. 2 is a back view of the claimed design.
FIG. 3 is a side view of the claimed design.
FIG. 4 is a top view of the claimed design.
FIG. 5 is a bottom view of the claimed design; and,
FIG. 6 is a perspective view of the claimed design.

1 Claim, 4 Drawing Sheets

(56) **References Cited**
U.S. PATENT DOCUMENTS

1,406,773 A 2/1922 Stoffel
1,789,232 A 1/1931 Hertz
4,169,638 A 10/1979 Cirasuolo
4,480,343 A 11/1984 Drach
4,531,641 A 7/1985 Archambault
D353,921 S * 12/1994 Lippisch D32/55
D364,018 S * 11/1995 Brightbill D32/55
D373,866 S * 9/1996 Belden, Jr. D32/55
D376,882 S 12/1996 Cook
D397,534 S 8/1998 Alvarez



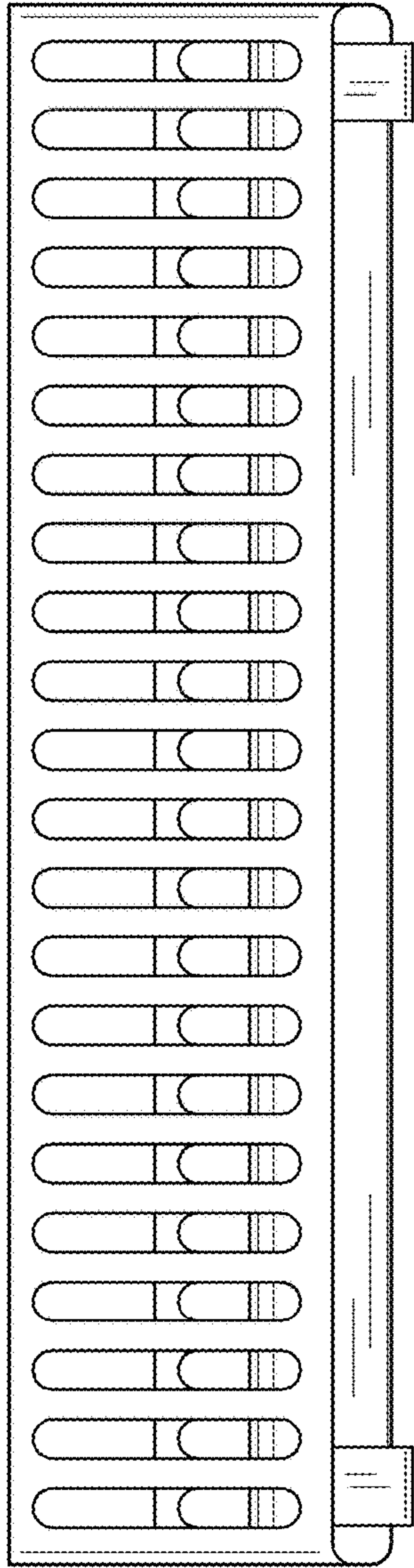


FIG. 1

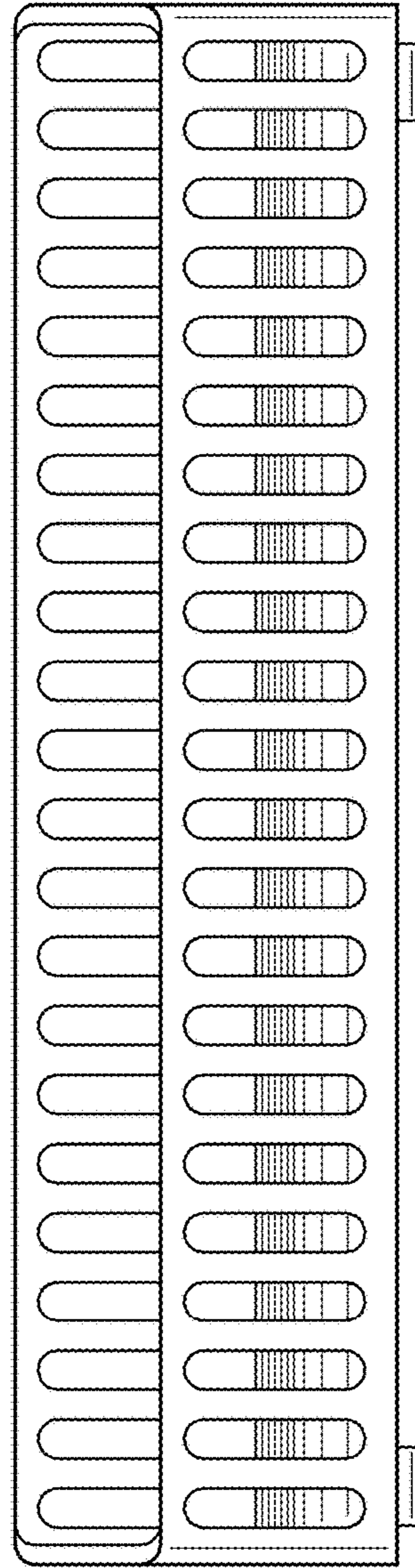


FIG. 2

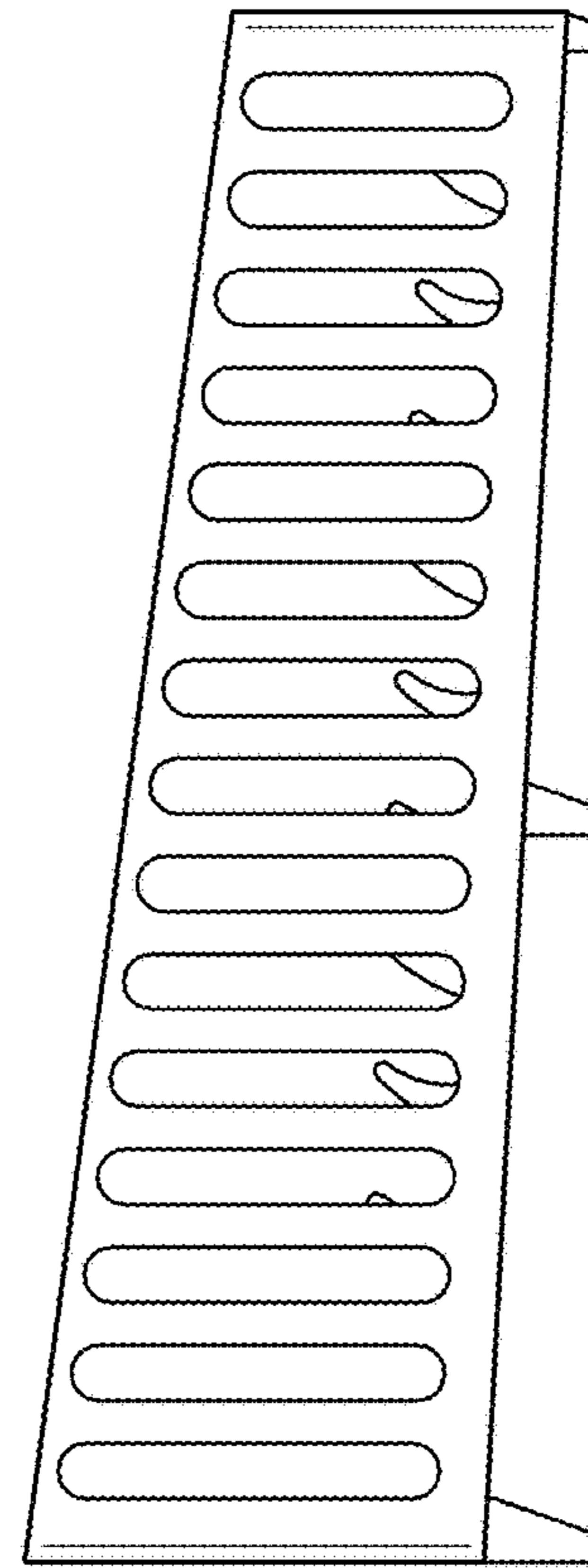


FIG. 3

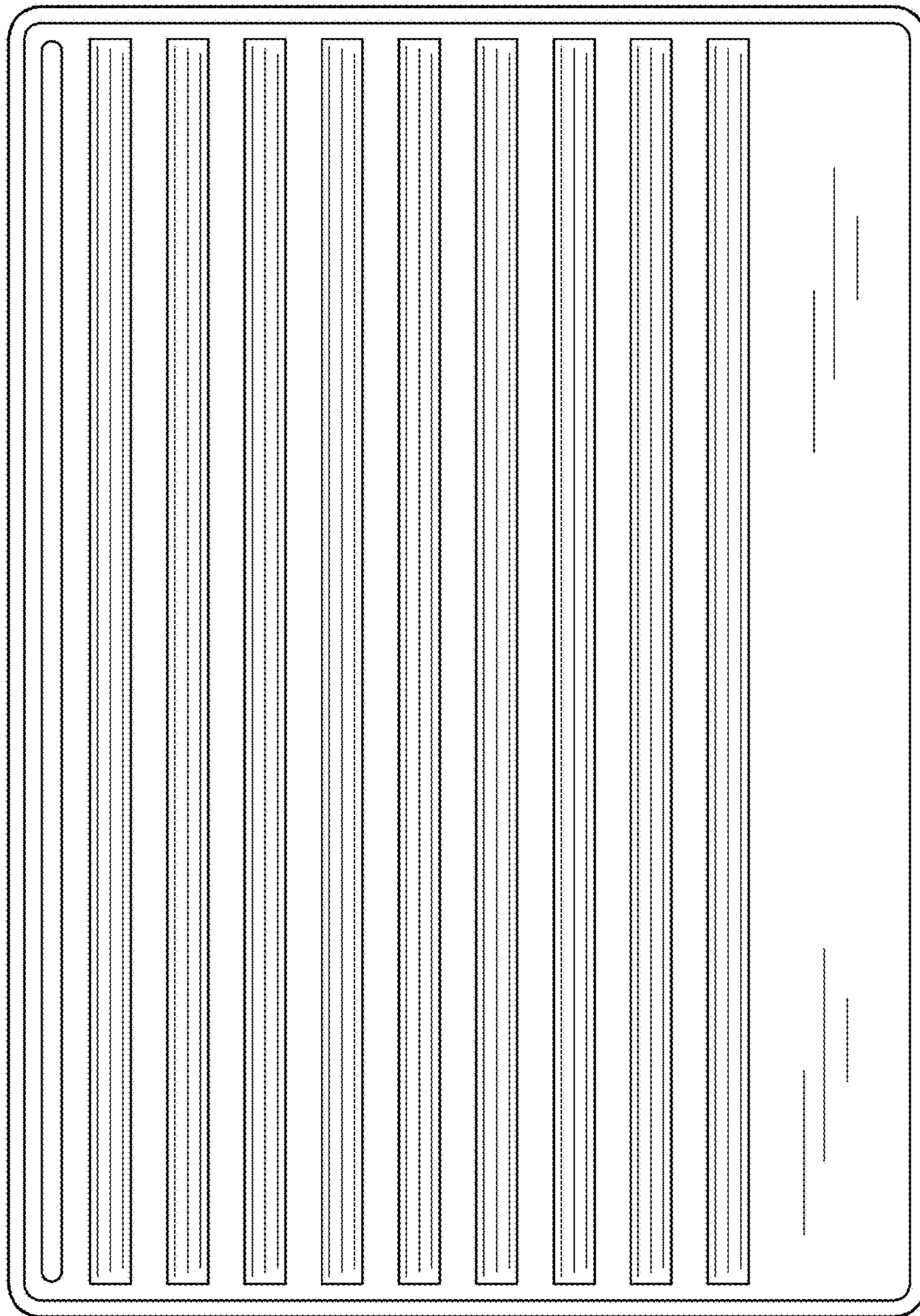


FIG. 4

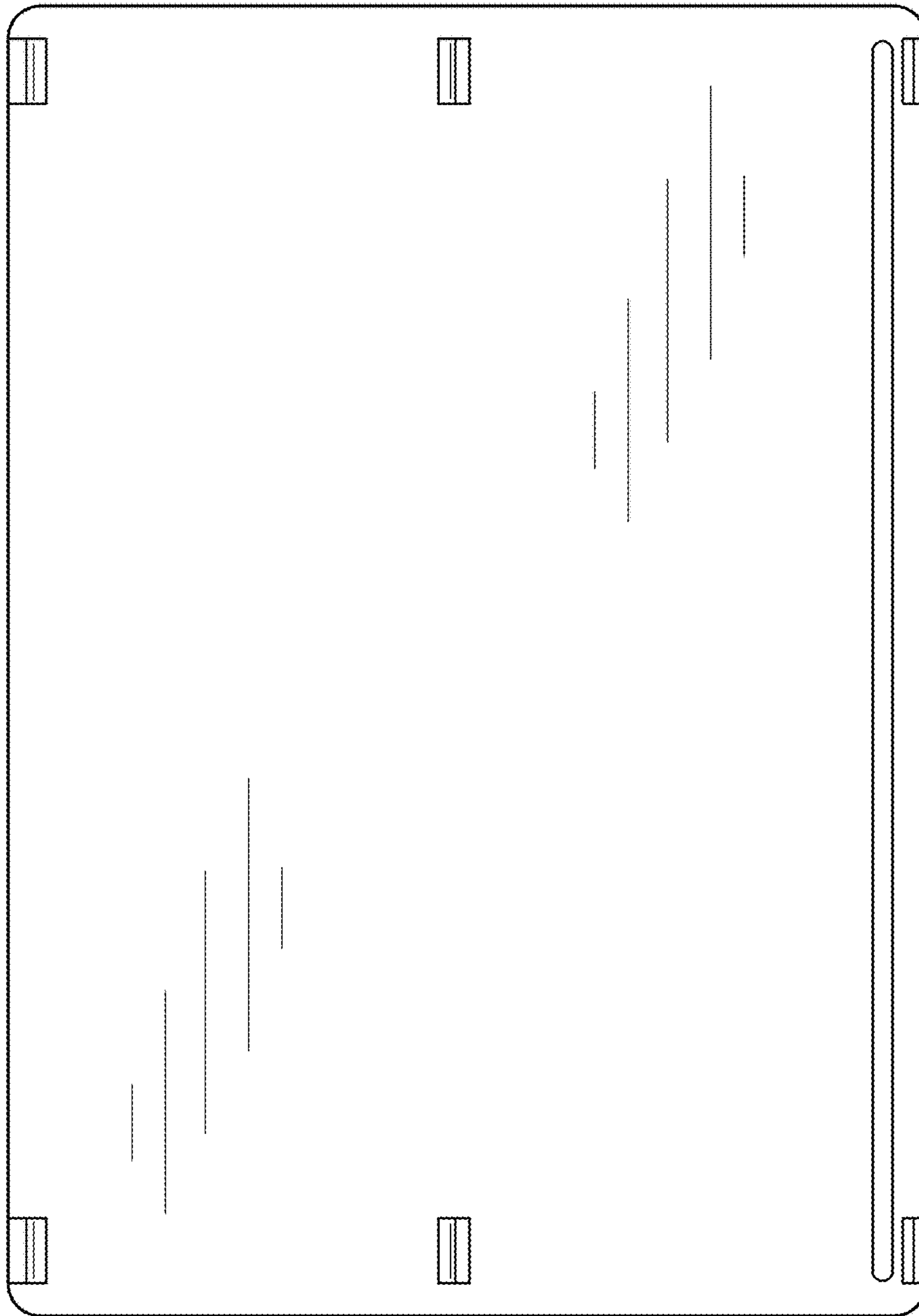


FIG. 5

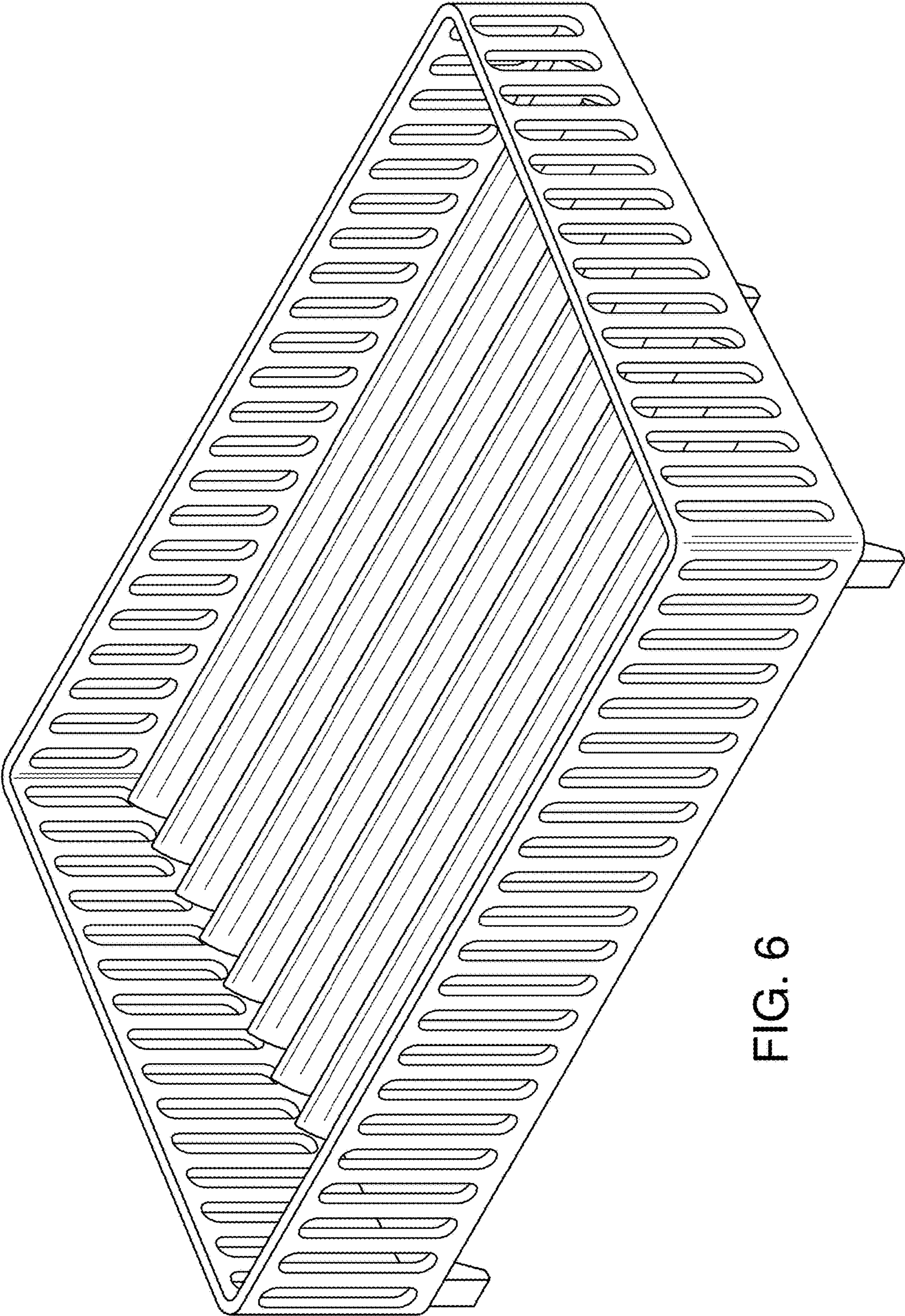


FIG. 6