



US00D818659S

(12) **United States Design Patent**
Foss et al.

(10) **Patent No.:** **US D818,659 S**
(45) **Date of Patent:** **** May 22, 2018**

- (54) **LINER FOR A BUCKET**
- (71) Applicant: **Angry Dad LLC**, Pompton Plains, NJ (US)
- (72) Inventors: **Glenn Foss**, Pompton Plains, NJ (US); **John Sebastiano**, Pompton Plains, NJ (US)
- (73) Assignee: **Angry Dad LLC**, Pompton Plains, NJ (US)
- (**) Term: **15 Years**
- (21) Appl. No.: **29/570,186**
- (22) Filed: **Jul. 6, 2016**
- (51) **LOC (11) Cl.** **07-07**
- (52) **U.S. Cl.**
USPC **D32/53; D9/433**
- (58) **Field of Classification Search**
USPC D32/53-54; 220/904, 659, 669, 752, 220/753; 15/264; D9/428, 433
CPC B65D 1/42; B65D 25/32; B65D 25/14; B65D 25/02; A47L 13/58
See application file for complete search history.

D605,895 S *	12/2009	Abbott	D7/509
D618,414 S *	6/2010	Bechtold, Jr.	D32/54
D655,601 S *	3/2012	Daley	D9/432
D656,697 S *	3/2012	McNeil	D32/53
D756,049 S *	5/2016	Arvinte	D32/53

* cited by examiner

Primary Examiner — Robin V Webster

(74) *Attorney, Agent, or Firm* — Baker & Hostetler LLP

(57) **CLAIM**

We claim the ornamental design for a liner for a bucket, as shown and described.

DESCRIPTION

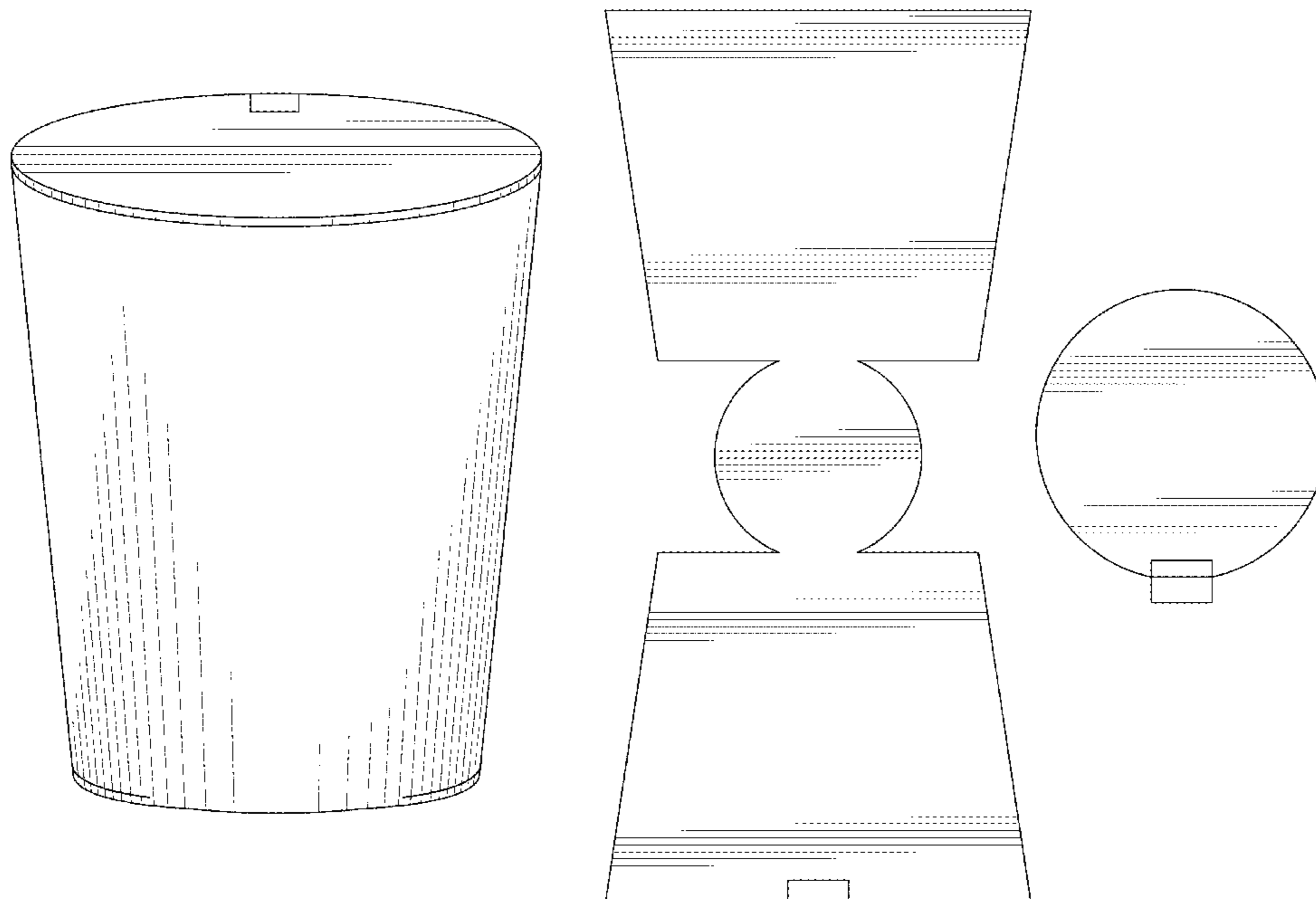
FIG. 1 is a front perspective view of a liner for a bucket in an assembled configuration;
 FIG. 2 is a rear perspective view thereof;
 FIG. 3 is a front perspective view thereof with a top portion opened;
 FIG. 4 is a left side plan view thereof;
 FIG. 5 is a right side plan view thereof;
 FIG. 6 is a rear plan view thereof;
 FIG. 7 is a front plan view thereof;
 FIG. 8 is a top plan view thereof;
 FIG. 9 is a bottom plan view thereof;
 FIG. 10 is an exploded, perspective view of a partially assembled configuration of the embodiment of FIG. 1;
 FIG. 11 is a top plan view of an unassembled configuration of the embodiment of FIG. 1; and,
 FIG. 12 is a bottom plan view of the unassembled configuration.

1 Claim, 11 Drawing Sheets

(56) **References Cited**

U.S. PATENT DOCUMENTS

D257,668 S *	12/1980	Ahern	D32/54
D405,689 S *	2/1999	Moon	D9/433
D411,079 S *	6/1999	Graham	D7/624.2
6,260,730 B1 *	7/2001	Fellman	B44D 3/12 220/23.83
6,679,398 B1 *	1/2004	O'Brien	B44D 3/12 220/495.02



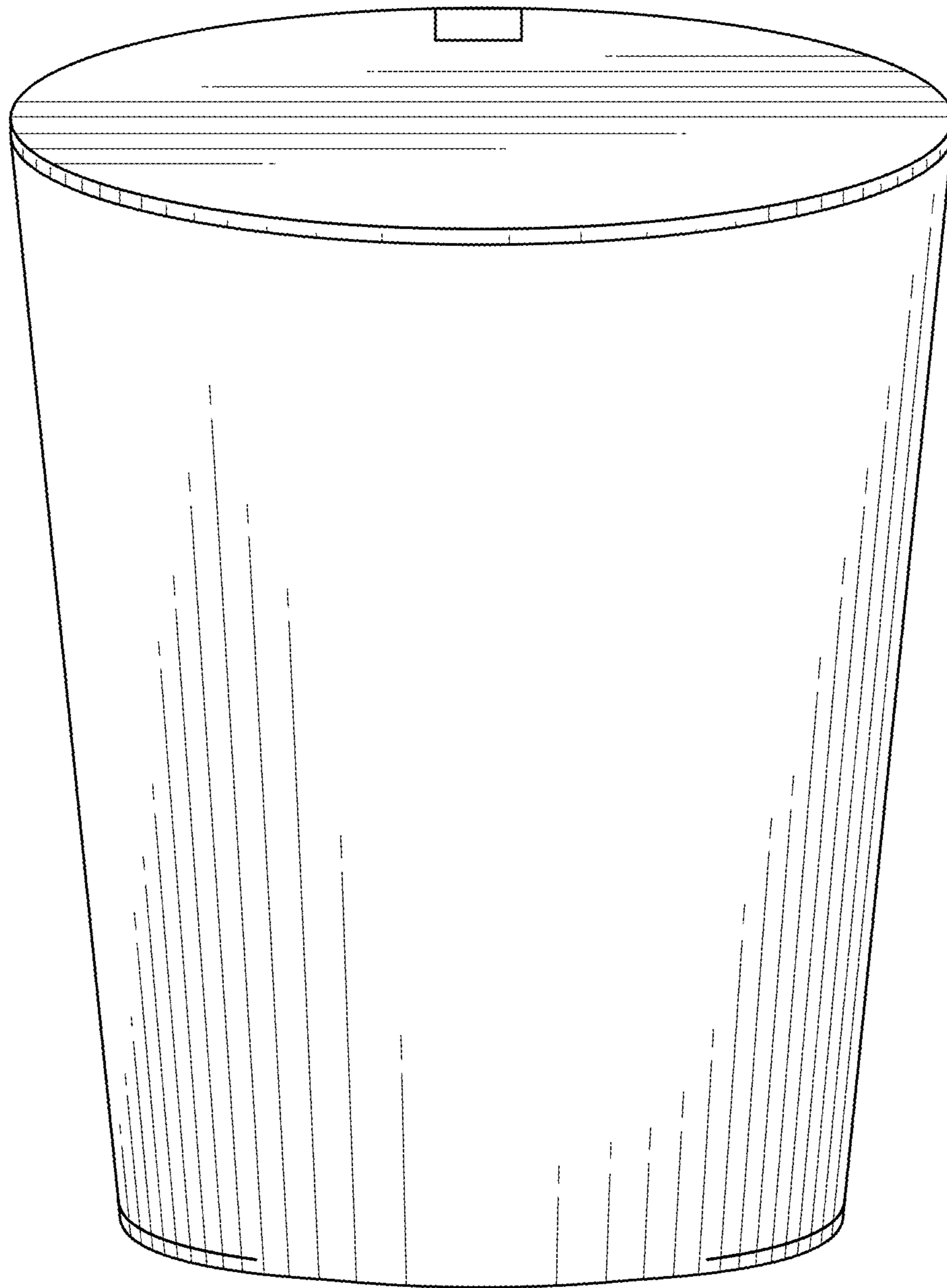


FIG. 1

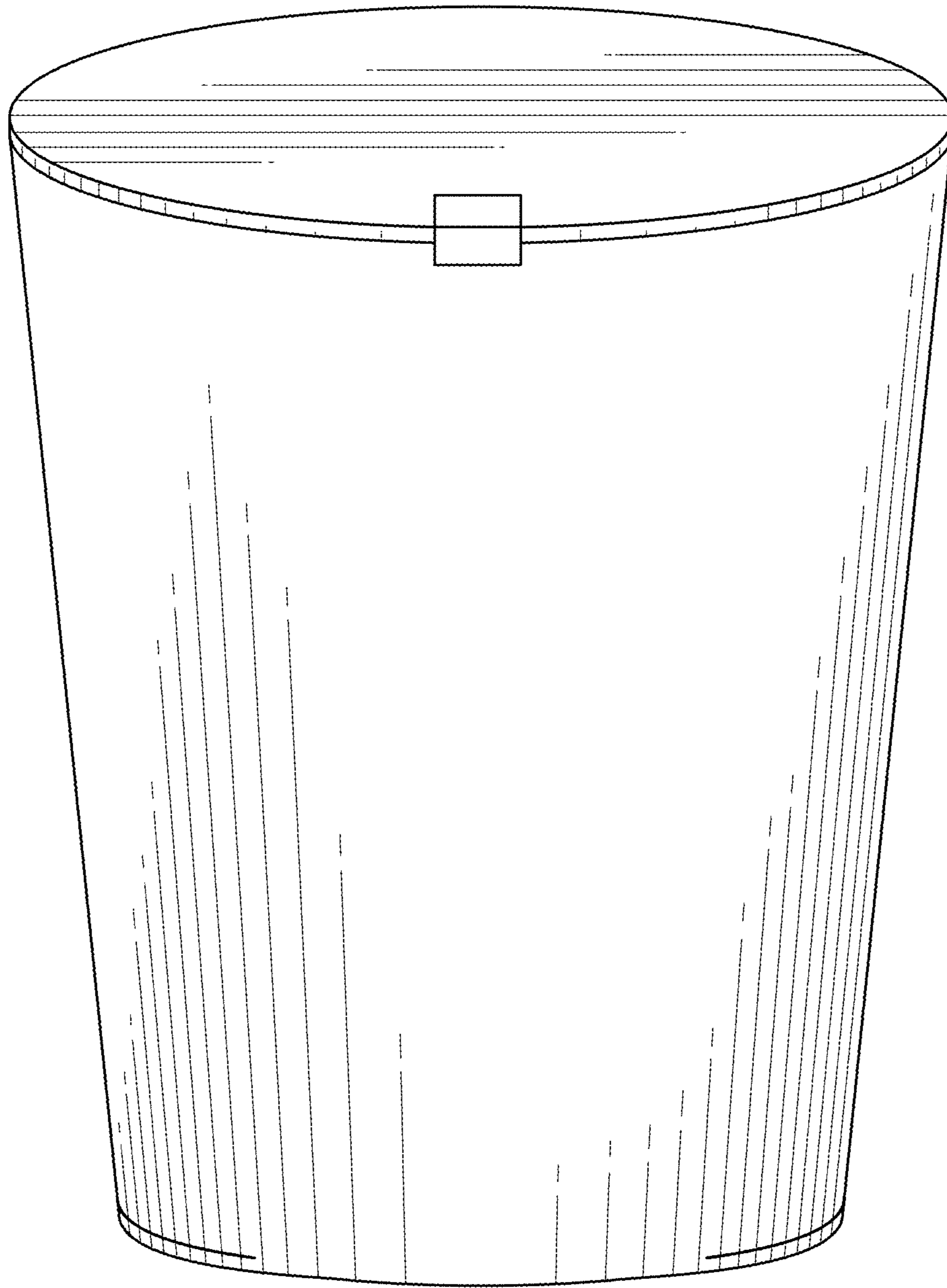


FIG. 2

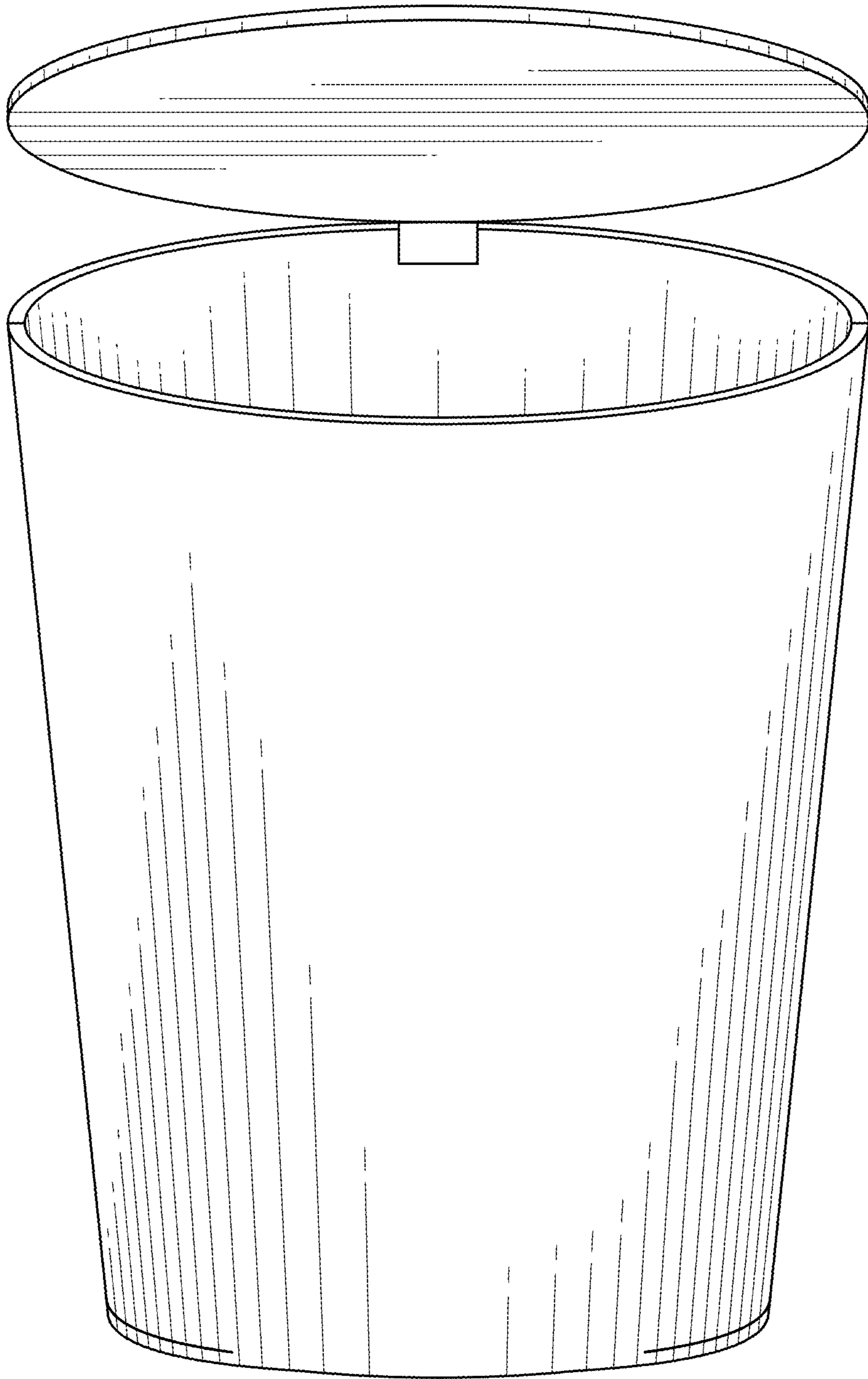


FIG. 3

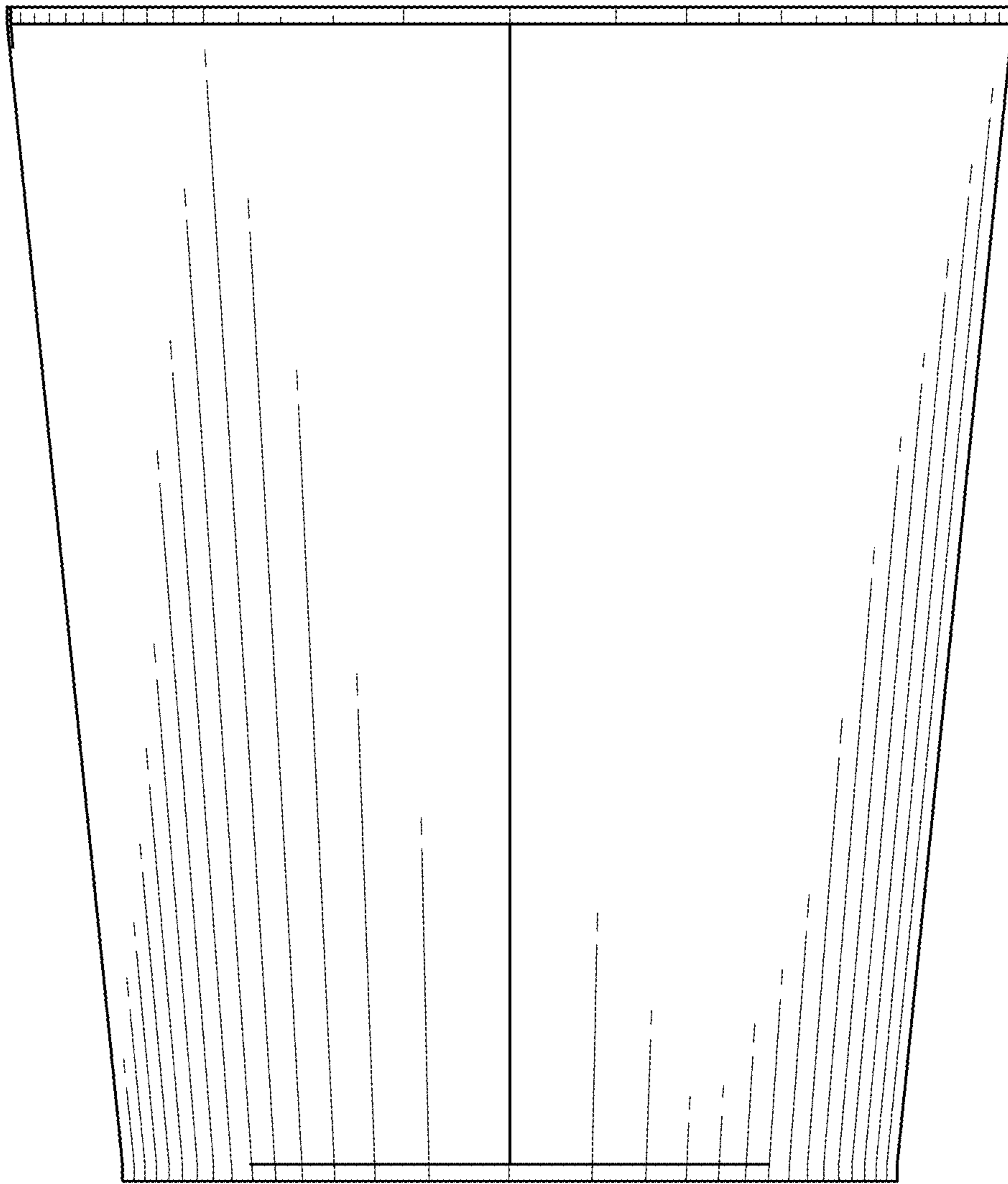


FIG. 4

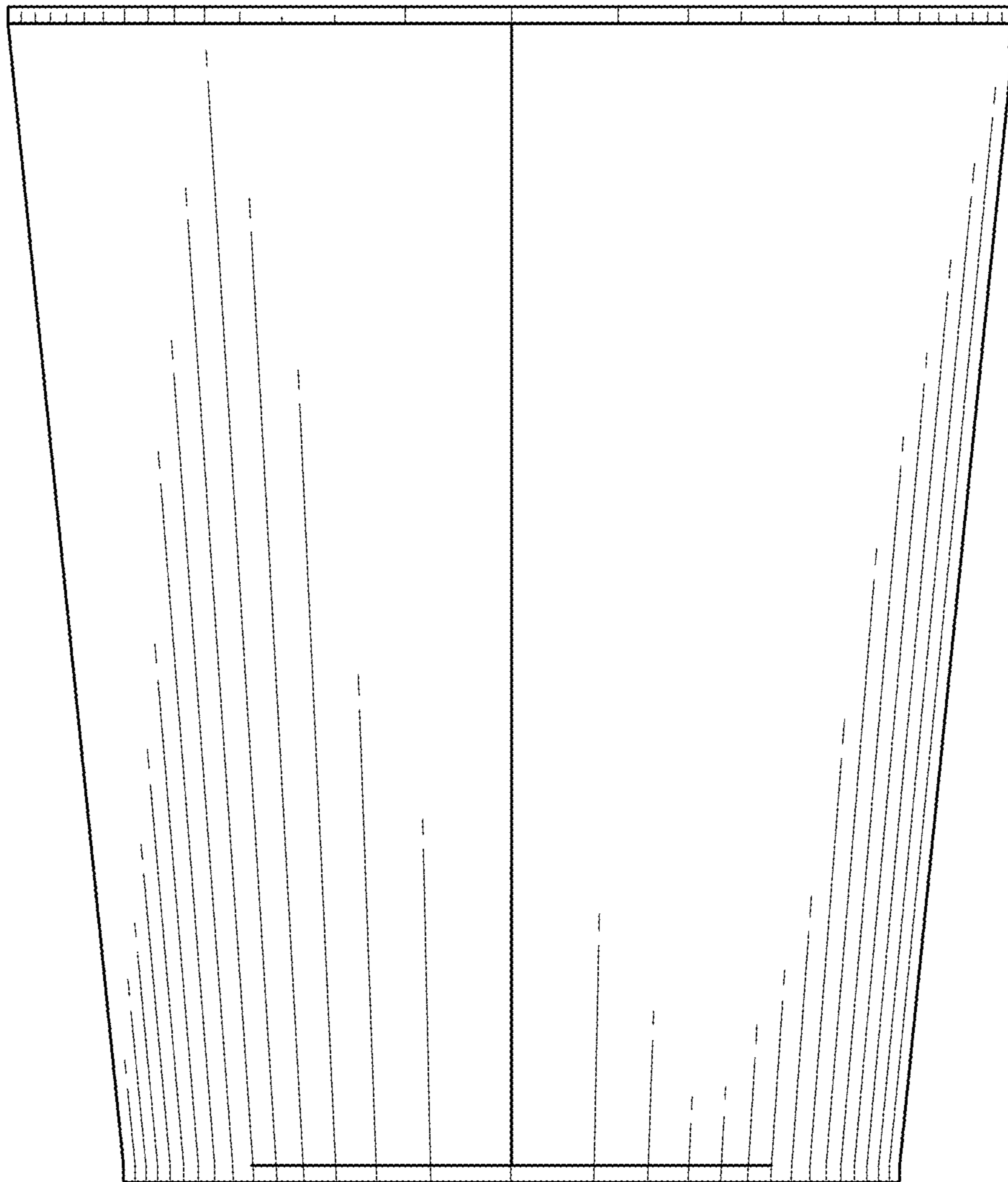


FIG. 5

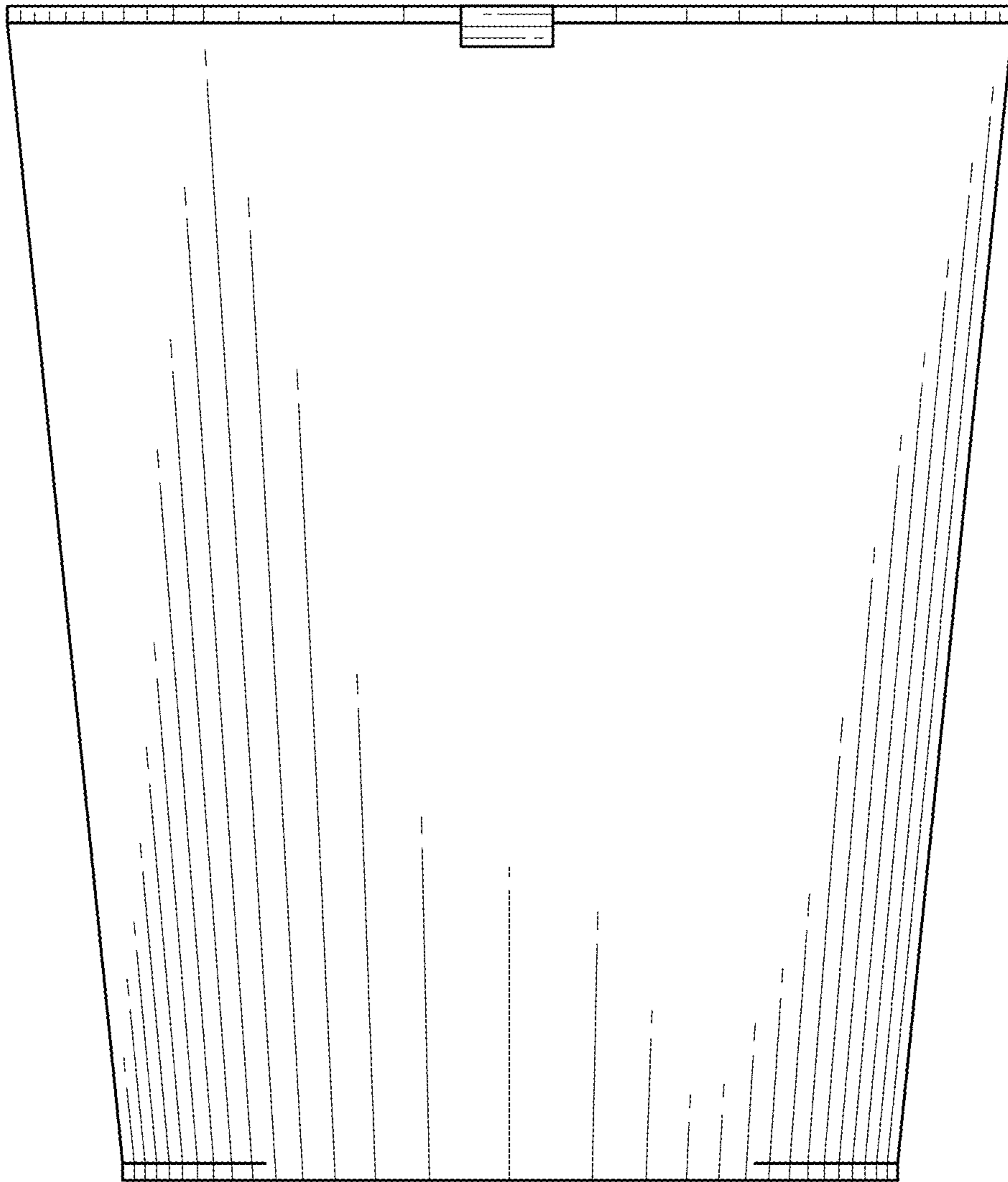


FIG. 6

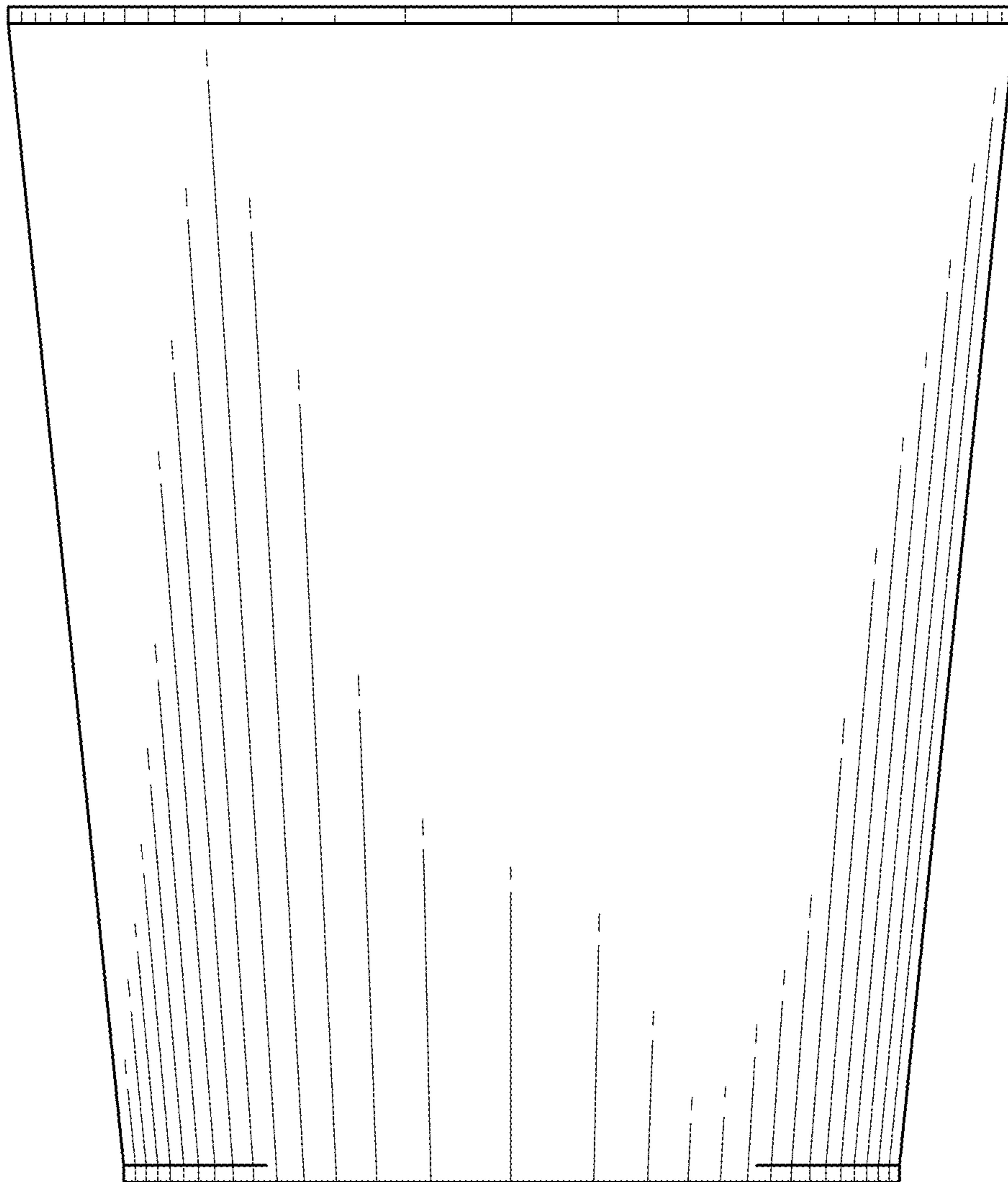


FIG. 7

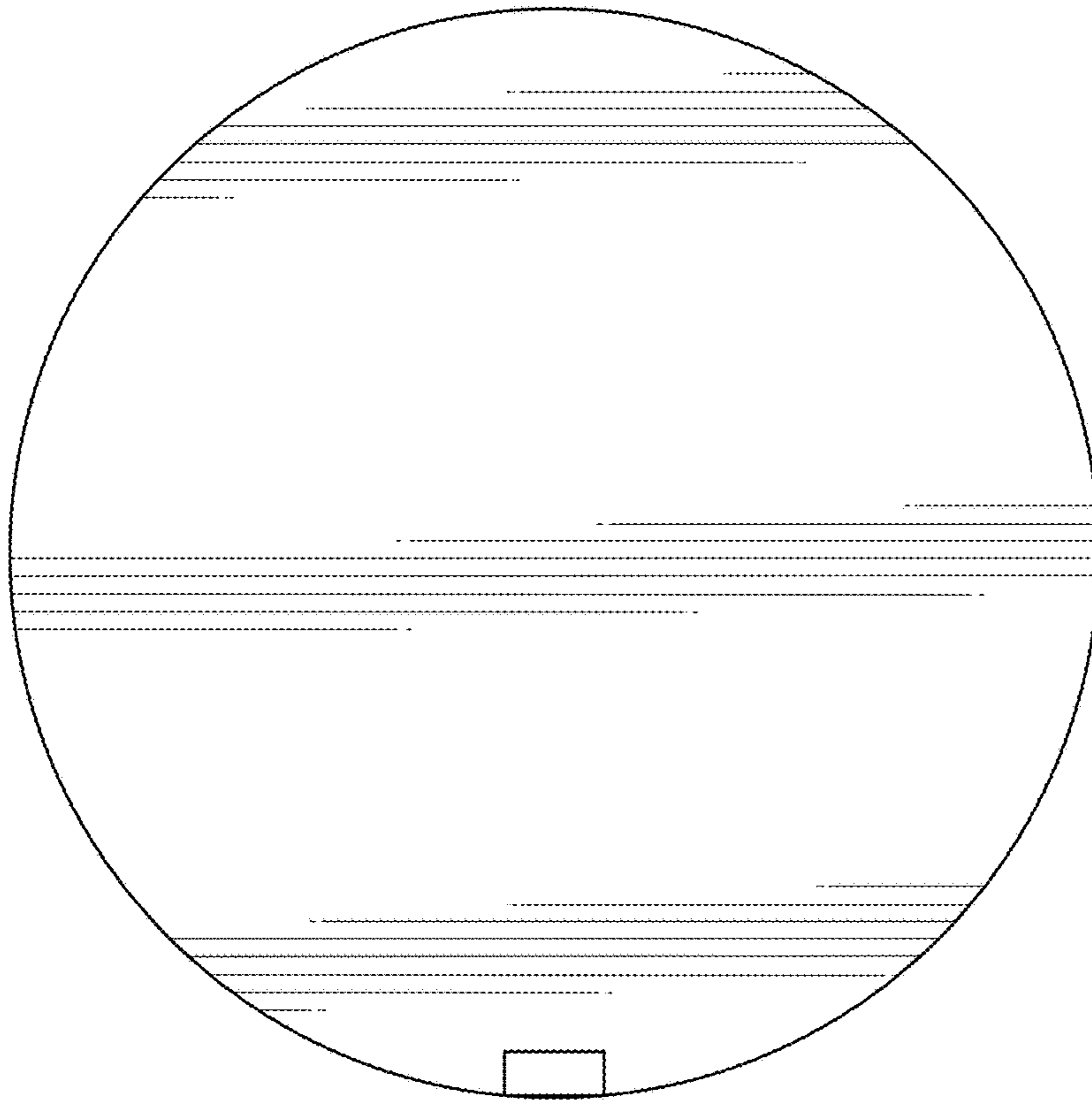


FIG. 8

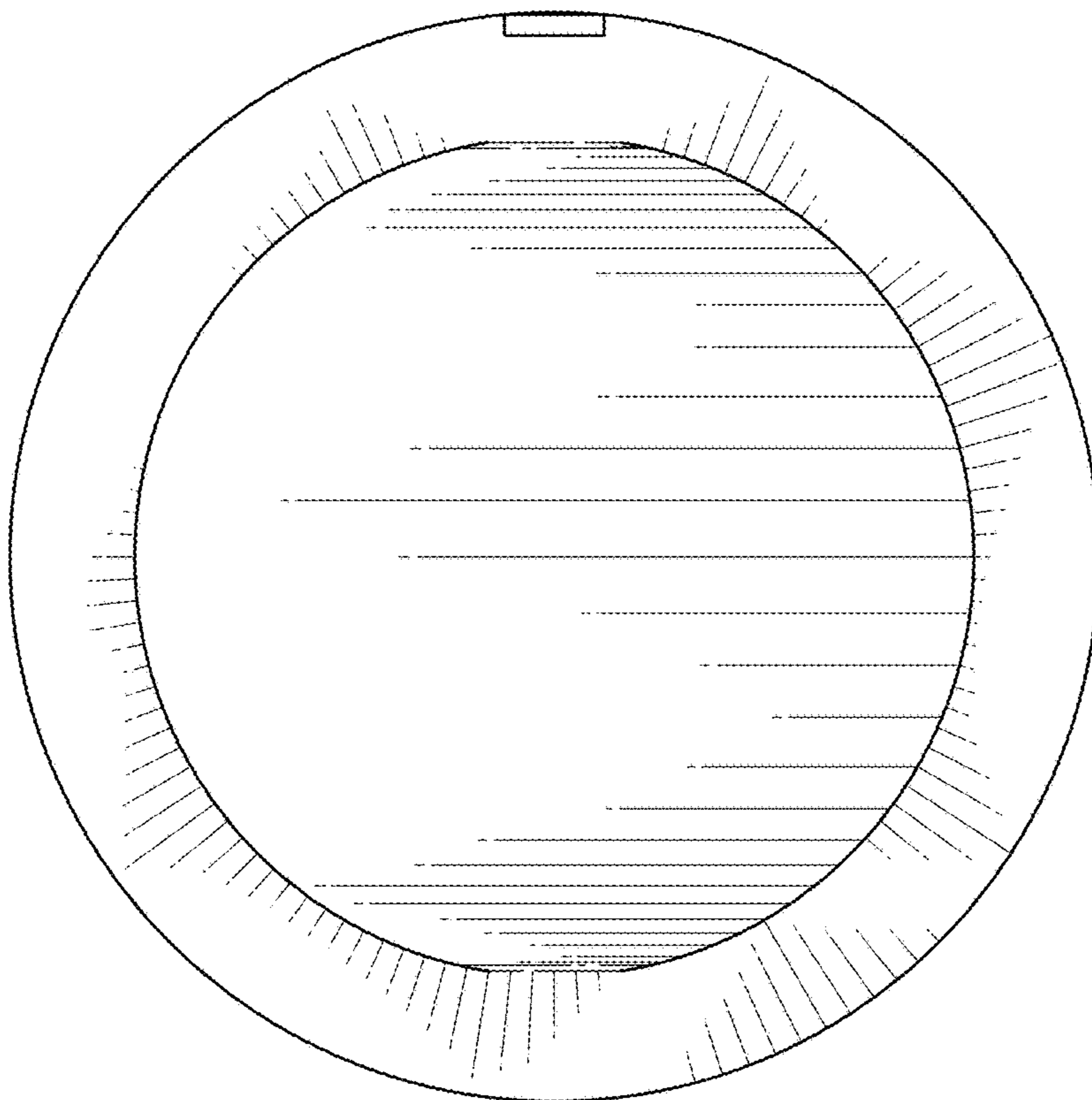


FIG. 9

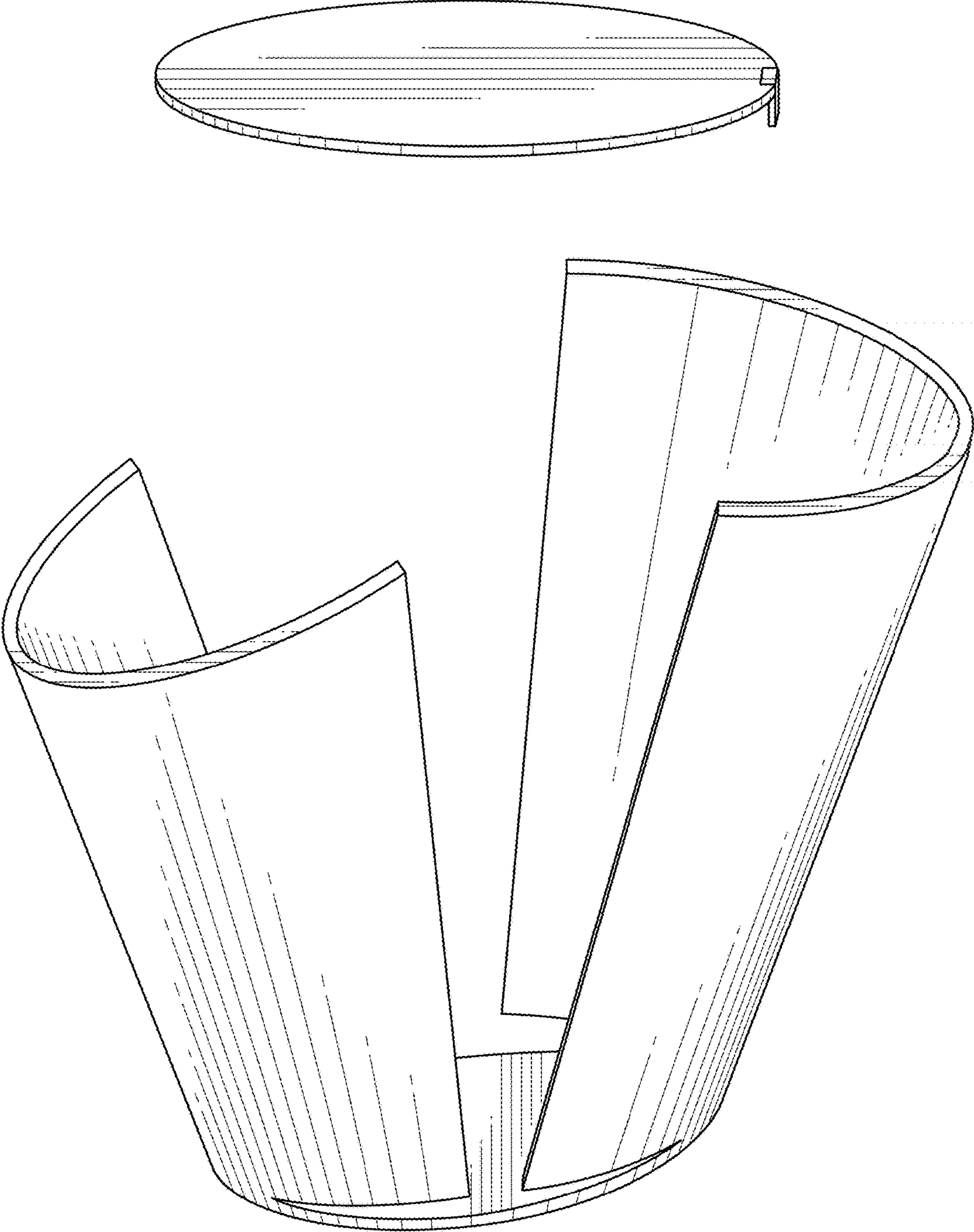


FIG. 10

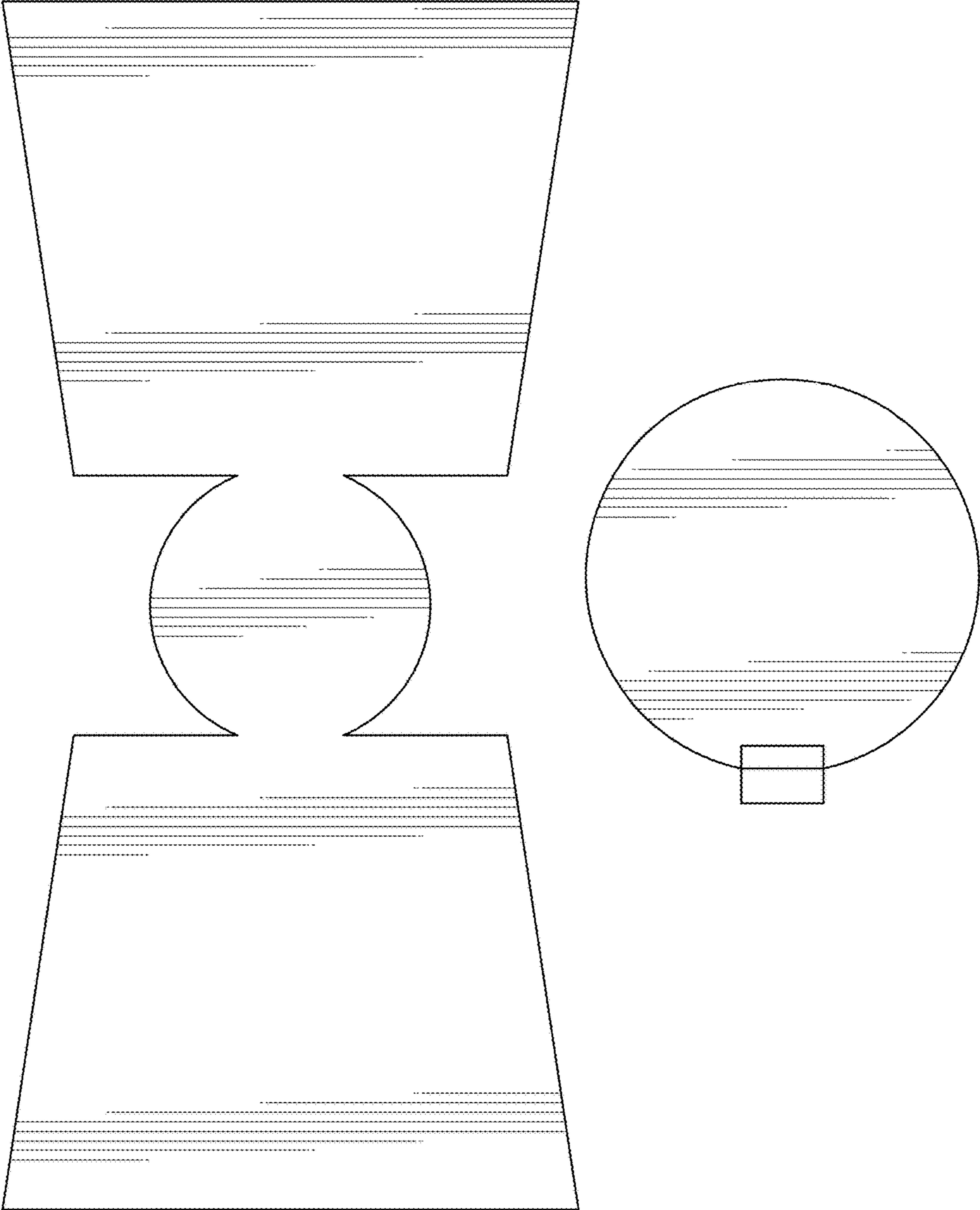


FIG. 11

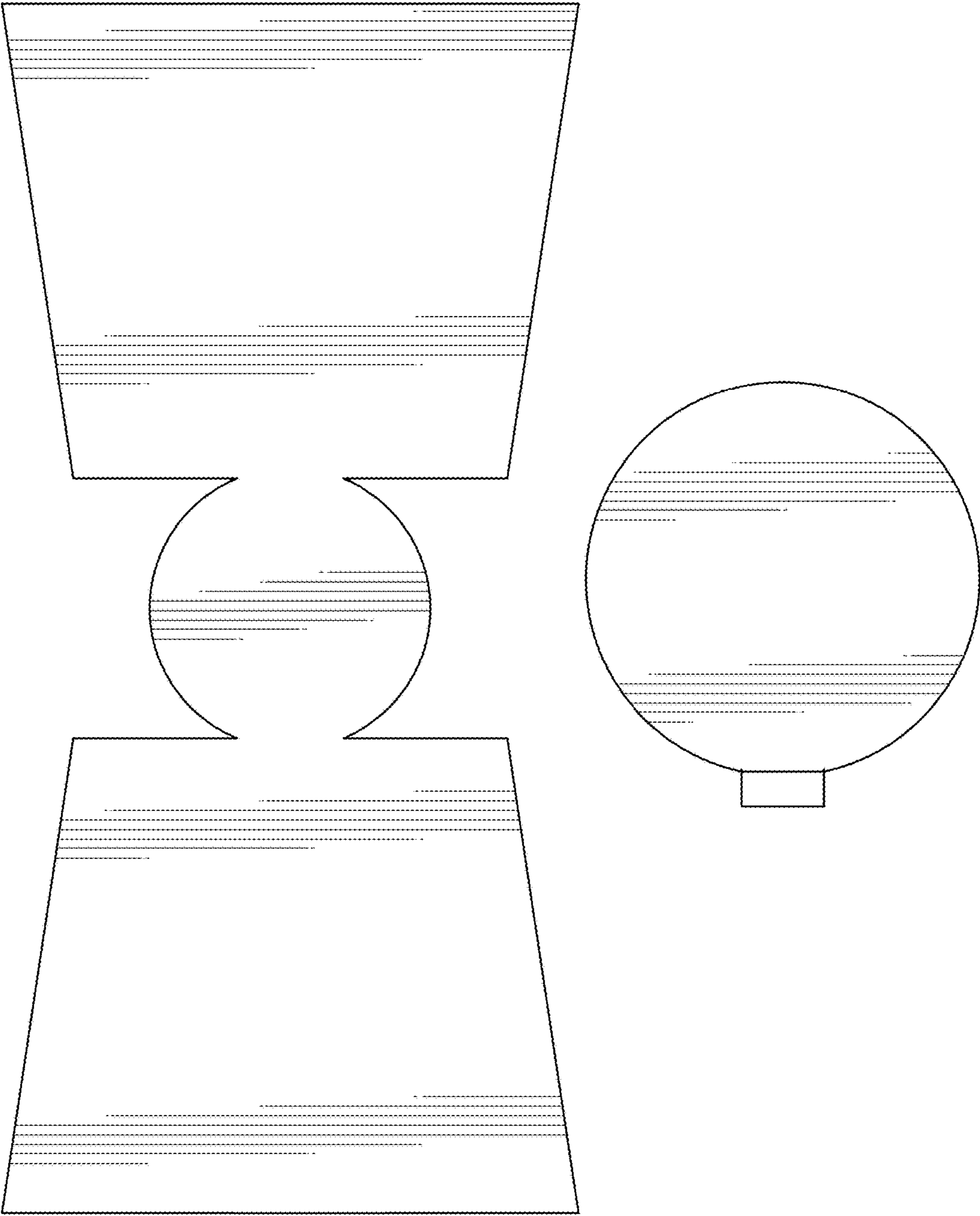


FIG. 12